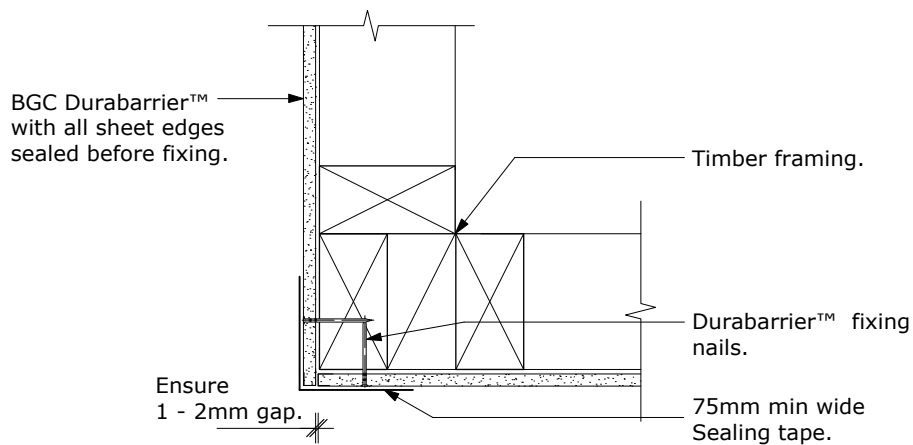
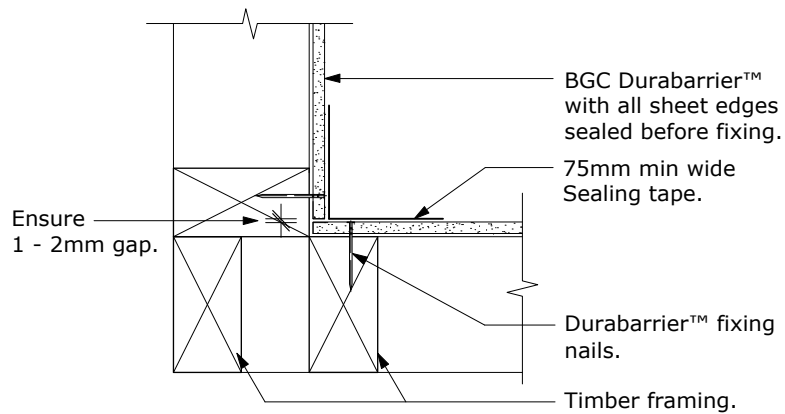


BGC

Fibre Cement



PROFILE BGC Durabarrier™

DATE May 2011

DETAIL Internal & External Corner Details

SCALE 1:5 @ A4

DETAIL NO. DB 03