

UNI FAB, UNI Plus & UNI Pro

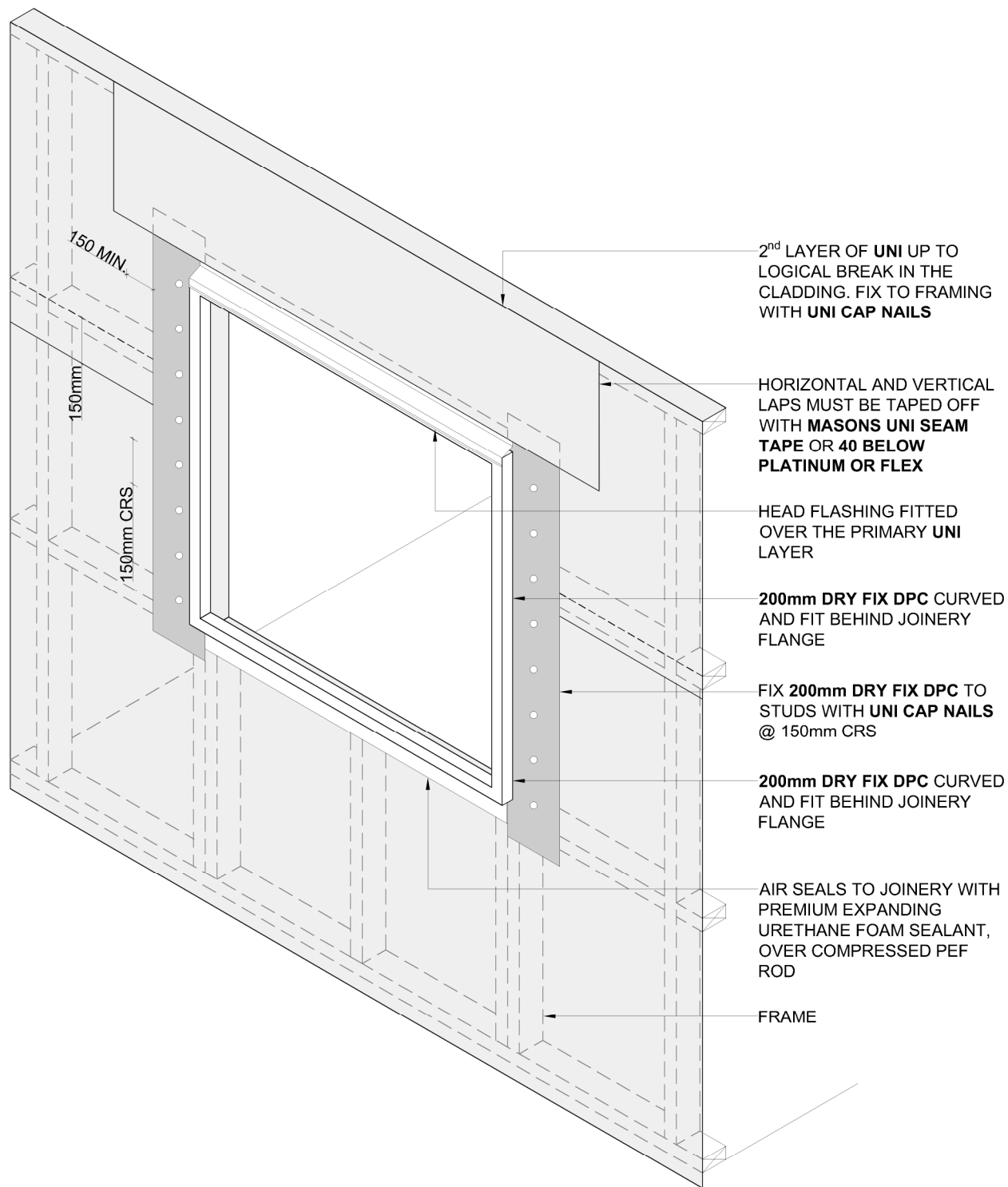
The Primary UNI Setout on Studs
with UNI Fasteners

*UNI fasteners & UNI cap nails are used interchangeably

Scale
1:20

Date

Drawing Ref No.
UNI.01



2nd LAYER OF UNI UP TO LOGICAL BREAK IN THE CLADDING. FIX TO FRAMING WITH UNI CAP NAILS

HORIZONTAL AND VERTICAL LAPS MUST BE TAPED OFF WITH MASON'S UNI SEAM TAPE OR 40 BELOW PLATINUM OR FLEX

HEAD FLASHING FITTED OVER THE PRIMARY UNI LAYER

200mm DRY FIX DPC CURVED AND FIT BEHIND JOINERY FLANGE

FIX 200mm DRY FIX DPC TO STUDS WITH UNI CAP NAILS @ 150mm CRS

200mm DRY FIX DPC CURVED AND FIT BEHIND JOINERY FLANGE

AIR SEALS TO JOINERY WITH PREMIUM EXPANDING URETHANE FOAM SEALANT, OVER COMPRESSED PEF ROD

FRAME



**UNI FAB, UNI Plus & UNI Pro
Setout on Timber Frame**
Additional Layer of UNI over Head Flashing

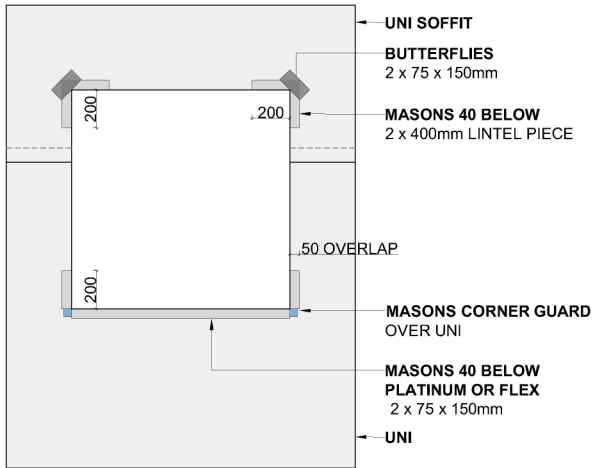
Scale

1:20

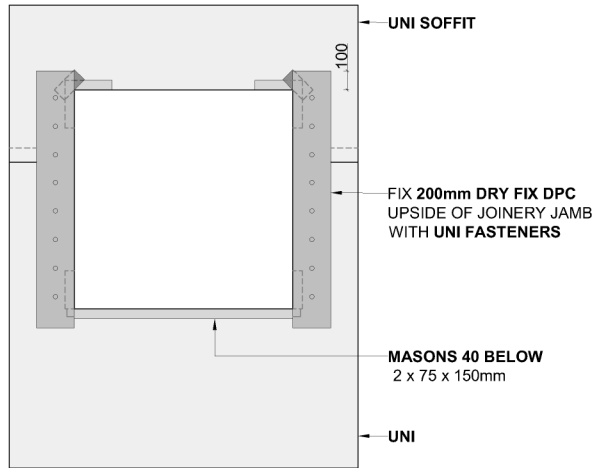
Date

Drawing Ref No.

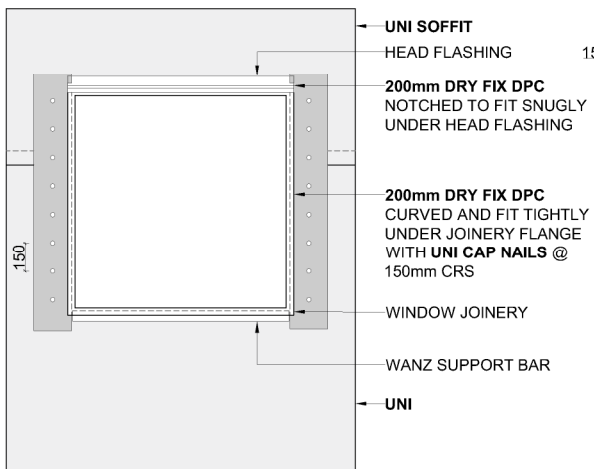
UNI.02



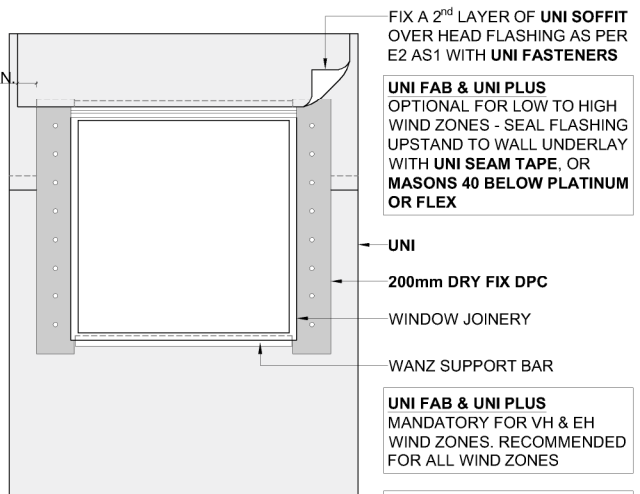
STEP ONE



STEP TWO



STEP THREE



STEP FOUR



Window Installation
 UNI FAB, UNI Plus & UNI Pro

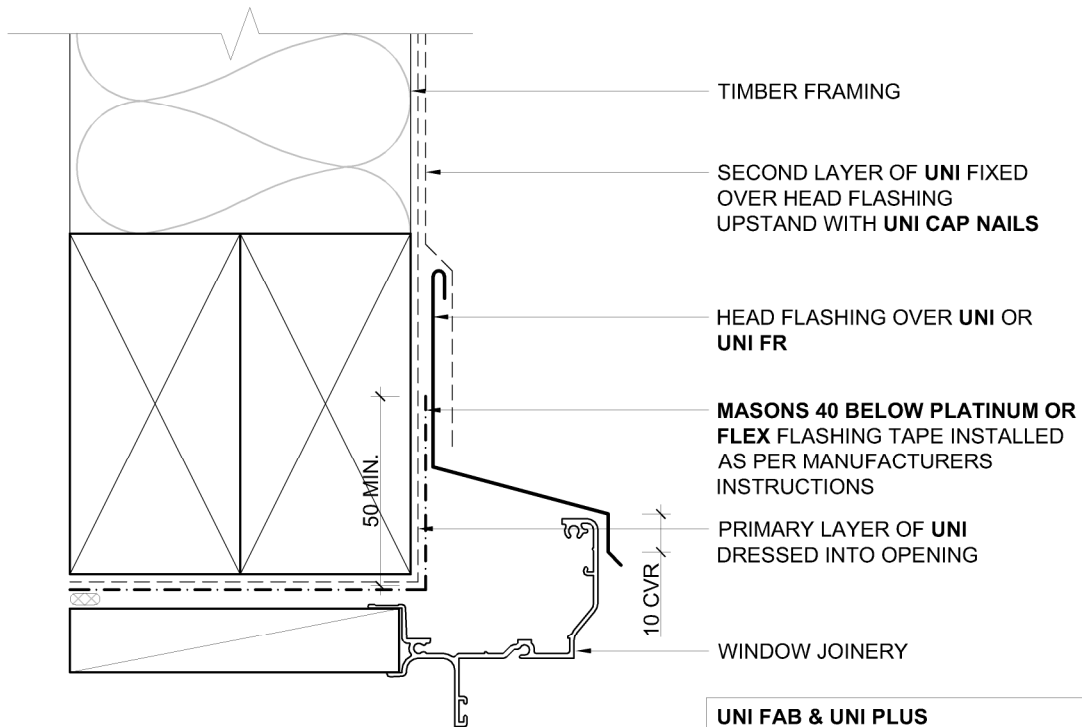
Scale

1:40

Date

Drawing Ref No.

UNI.03



ADDITIONAL UNI OVER HEAD FLASHING

TIMBER FRAMING

SECOND LAYER OF **UNI** FIXED OVER HEAD FLASHING UPSTAND WITH **UNI CAP NAILS**

HEAD FLASHING OVER **UNI** OR **UNI FR**

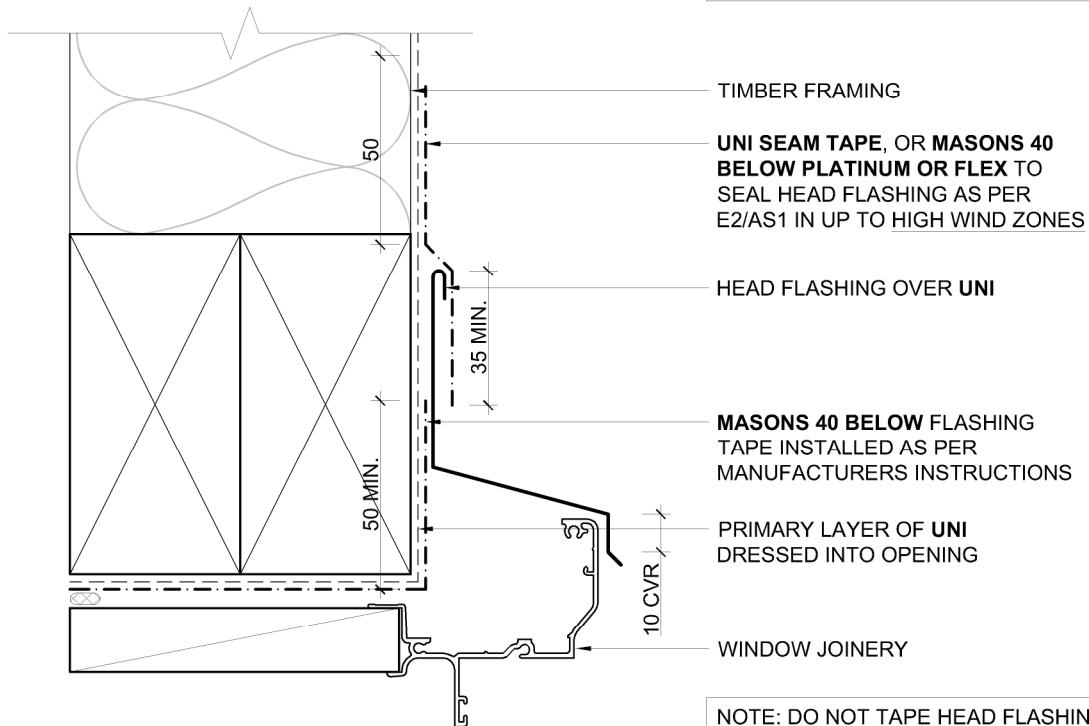
MASON'S 40 BELOW PLATINUM OR FLEX FLASHING TAPE INSTALLED AS PER MANUFACTURERS INSTRUCTIONS

PRIMARY LAYER OF **UNI** DRESSED INTO OPENING

WINDOW JOINERY

UNI FAB & UNI PLUS
MANDATORY FOR VERY HIGH AND EXTRA HIGH WIND ZONE. RECOMMENDED FOR ALL WIND ZONES

UNI PRO
MANDATORY FOR ALL WIND ZONES



FLASHING TAPE OVER HEAD FLASHING

TIMBER FRAMING

UNI SEAM TAPE, OR MASON'S 40 BELOW PLATINUM OR FLEX TO SEAL HEAD FLASHING AS PER E2/AS1 IN UP TO HIGH WIND ZONES

HEAD FLASHING OVER **UNI**

MASON'S 40 BELOW FLASHING TAPE INSTALLED AS PER MANUFACTURERS INSTRUCTIONS

PRIMARY LAYER OF **UNI** DRESSED INTO OPENING

WINDOW JOINERY

NOTE: DO NOT TAPE HEAD FLASHING ON **UNI PRO**. USE ADDITIONAL LAYER OF **UNI** TO ALL WIND ZONES



Window Head
Head Flashing to UNI FAB, UNI Plus & UNI Pro

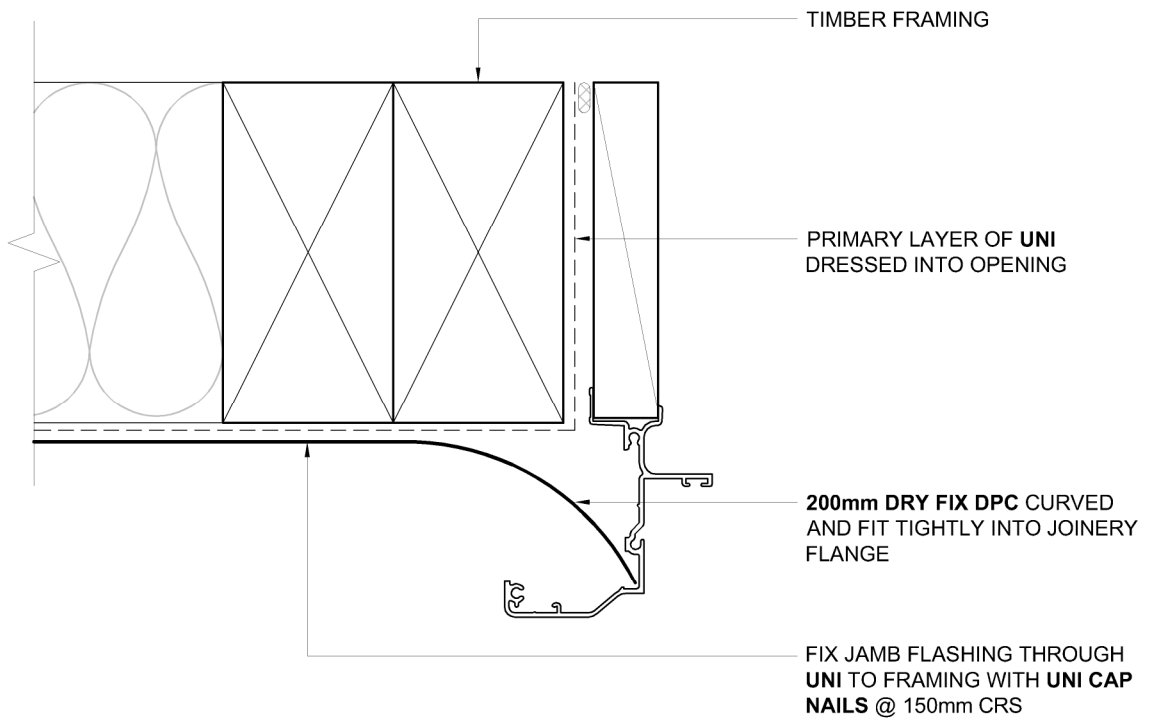
Scale

1:2

Date

Drawing Ref No.

UNI.04



Typical Jamb with 200mm Plastic DPC
UNI FAB, UNI Plus & UNI Pro

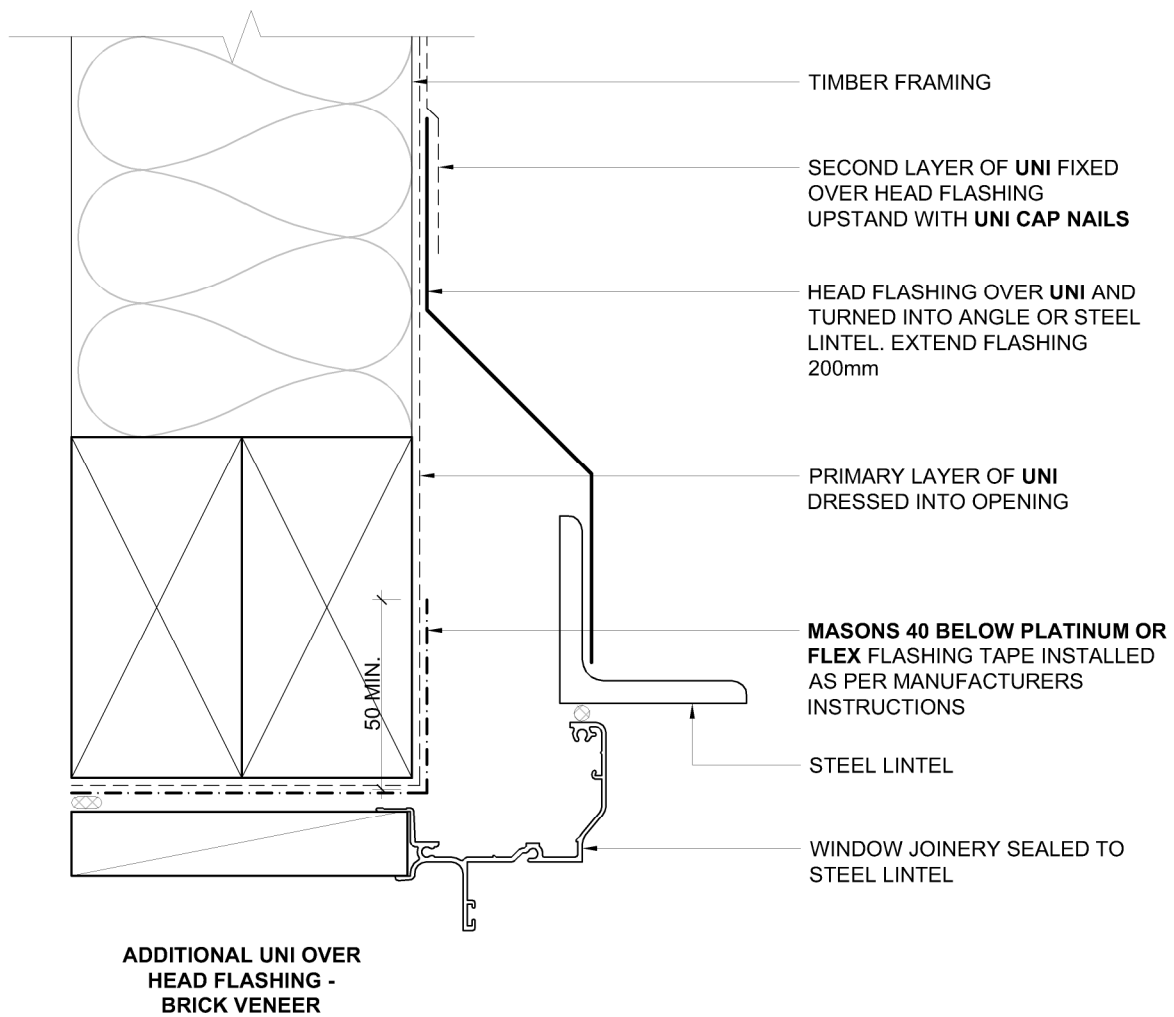
Scale

1:2

Date

Drawing Ref No.

UNI.05



Brick Lintel Veneer Window Head
UNI FAB, UNI Plus & UNI Pro

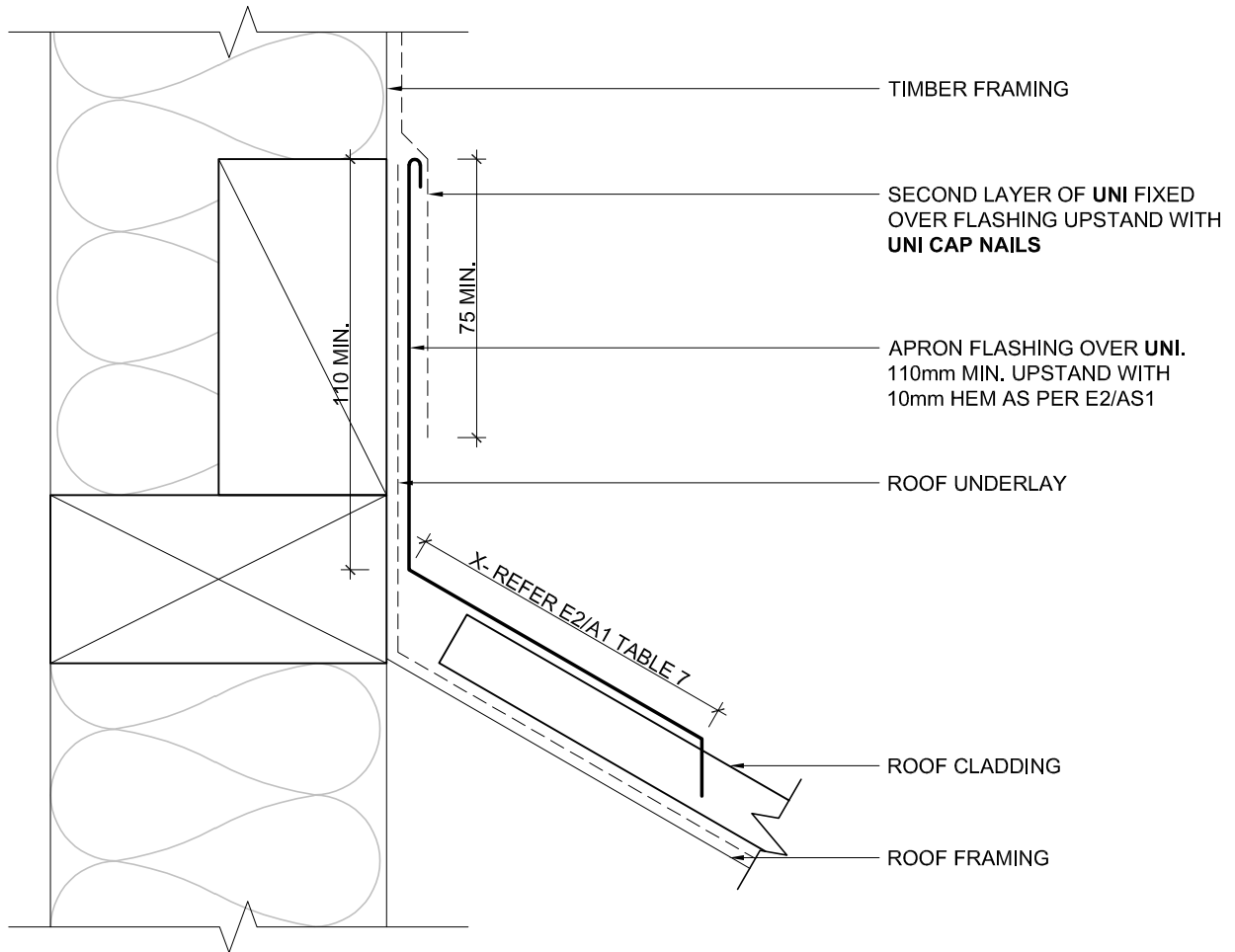
Scale

1:2

Date

Drawing Ref No.

UNI.06



Apron Flashing Installation
 UNI FAB, UNI Plus & UNI Pro

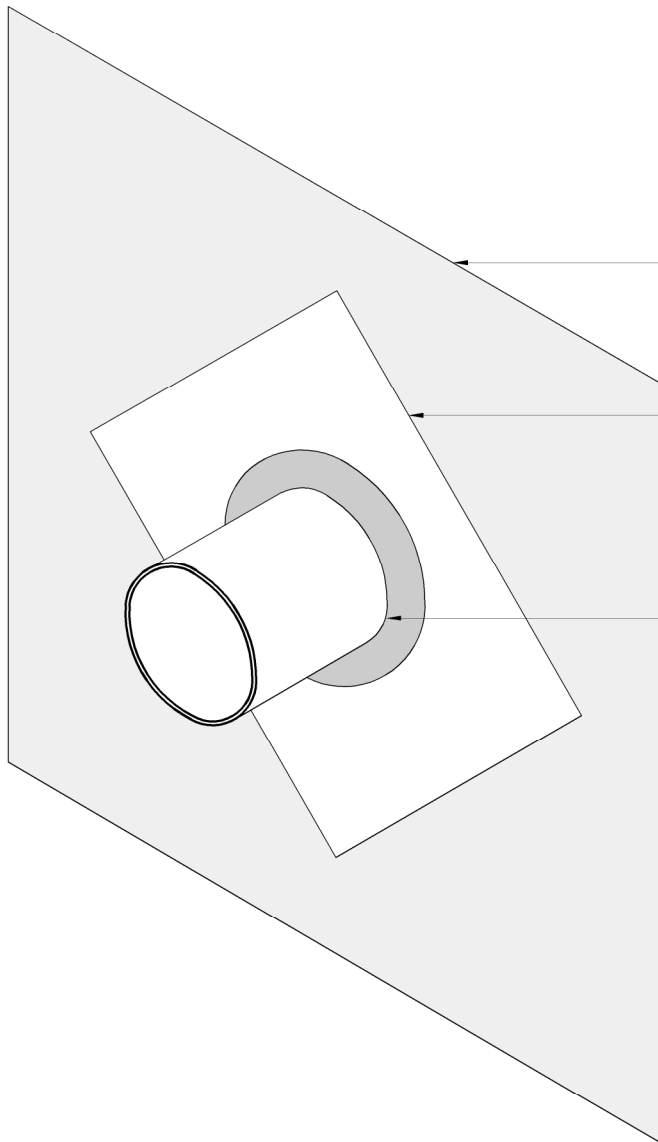
Scale

1:2

Date

Drawing Ref No.

UNI.07

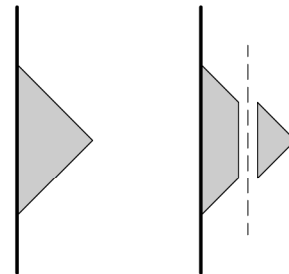


NOTE: MEASURE PIPE OR CONDUIT TO CHOOSE THE CORRECT SIZE MASON'S PENETRATION SEAL

UNI FAB

MASON'S 1-75mm PENETRATION SEAL OR 80-170mm MASON'S PENETRATION SEAL, ORIENTATED AT 45°. PRESS FIRMLY ONTO UNI FAB WITH TAPE SCRAPER

CUT EDPM TO SNUG FIT ON PIPE OR CONDUIT



EDPM NOZZLE CUT TO SUIT PIPE



Penetration Seals
UNI FAB, UNI Plus & UNI Pro

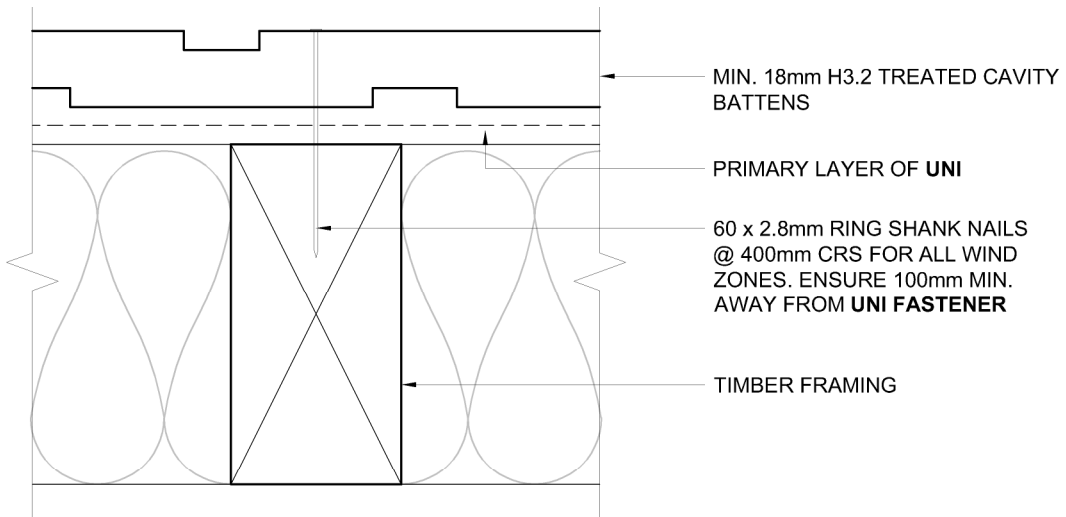
Scale

1:2

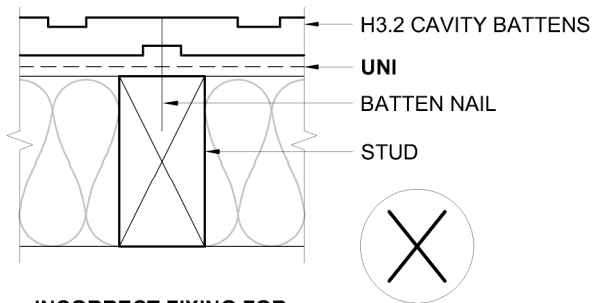
Date

Drawing Ref No.

UNI.08



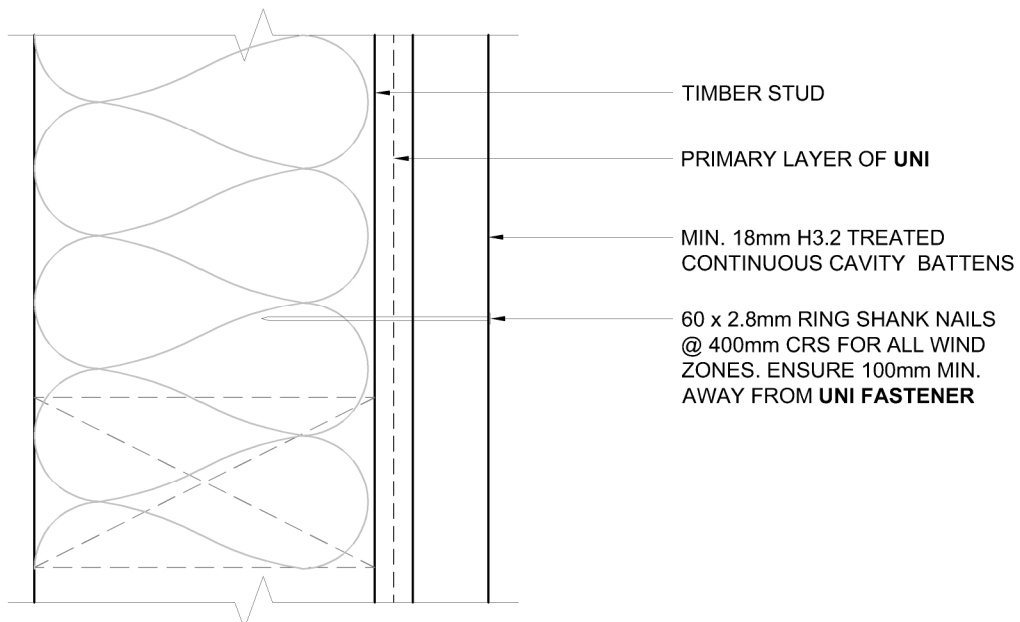
HORIZONTAL CAVITY BATTEN



INCORRECT FIXING FOR VENTILATED BATTENS

NOTE:

- BATTEN FIXINGS REFER TO 'UNI WIND ZONE FIXING CHART'
- USE APPROPRIATE FIXING FOR CORROSION ZONE
- DO NOT FIX AT BATTEN NOTCHES
- MASONS WRAP STRAP IS RECOMMENDED BEFORE INSTALLING BATTENS TO PREVENT BUILDING WRAP FROM BULGING



VERTICAL CAVITY BATTEN



CAVITY BATTEN FIXING
UNI FAB, UNI Plus & UNI Pro

Scale

1:2

Date

Drawing Ref No.

UNI.09