

MANROSE®
DESIGNER SERIES

PURO

FILTERED PASSIVE VENT KIT

FILTERED FRESH AIR SUPPLY for a better indoor environment



DCT4565



- Filtered air inlet for improved indoor air quality
- Effective filtration of viruses, bacteria and pollen
- Internationally patented filter from Sweden
- Pure air circulation to improve air quality
- Fresh air in - stale, humid air out through bathroom & kitchen extraction
- Puro inlets provide fresh filtered air from high on bedroom and living area walls
- Filtered particles captured in Puro's unique dual layer, electrostatically charged fibres

PURO Filter Makes ALL The Difference

The Puro filter is a new three dimensional filter that provides effective filtration of viruses, bacteria and pollen for fresh air into the family home. Improve the air circulation and indoor air quality with a network of unassuming air vents that help the family feel good and thrive in a healthy indoor environment. The Puro filter, from Sweden, has an international patent and is different because its particle separation takes place along the fibre lengths instead of the usual bag and barrier filter process where the airflow is directed across the fibres.

Particles captured by the filter remain trapped thanks to a dual layer of electrostatically-charged fibres near the surface. The filter retains its holding capacity even when not in use, allowing for the dust-free replacement of a worn-out filter.

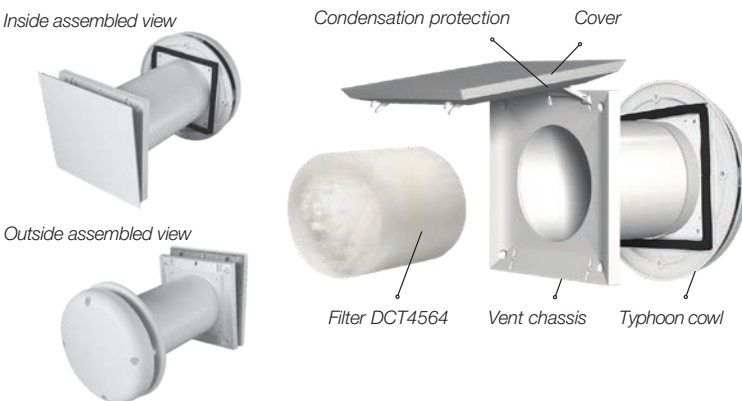
Available in the Puro Passive Vent Kit, and as a replacement filter, the high efficiency 94mm diameter filter is designed for 100mm diameter ducts.

PURO Filtered Passive Vent Kit - DCT4565

The Puro kit, housing the filter, is designed to ensure a very comfortable distribution of filtered incoming air. The airflow is controlled by an adjustable front cover, by varying its angle from a bottom hinge point.

The recommended installation position in a room is high on the wall and preferably close to a heater. If there is under floor heating, the ventilator should be installed at least 1 metre from a window to avoid downdraught.

The ventilator, with adjustable front cover, consists of an internal section, fitted with a damper and filter, a through wall connection tube and an external typhoon cowl. The airflow is controlled by an angle-adjustable front cover. A basic flow of approximately 3 l/s at 10 Pa is typical. The air supply can be stopped completely by pushing the front cover firmly into the ventilator.



Kit Maintenance

The filter (DCT4564) should be replaced once, or twice a year depending on how contaminated the outdoor air is. The filter is easily accessed by simply pulling the cover off, as shown above.

The typhoon cowl (DCT4572) is designed for 100mm duct and can be purchased separately as a high quality exterior weatherproof cowl.

Filter Efficiency - Class F7

