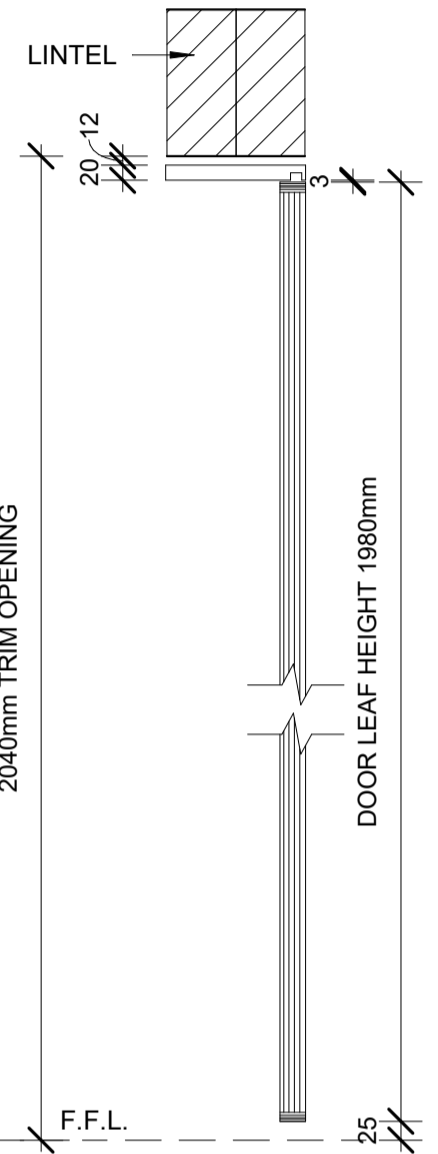
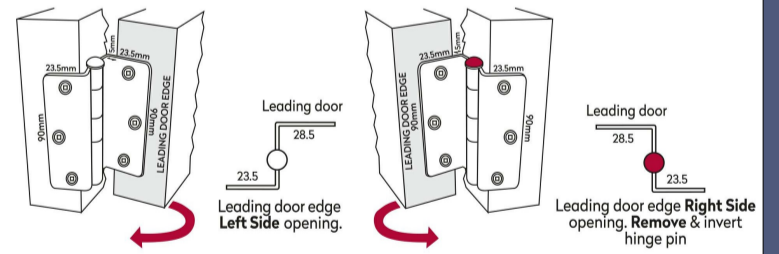
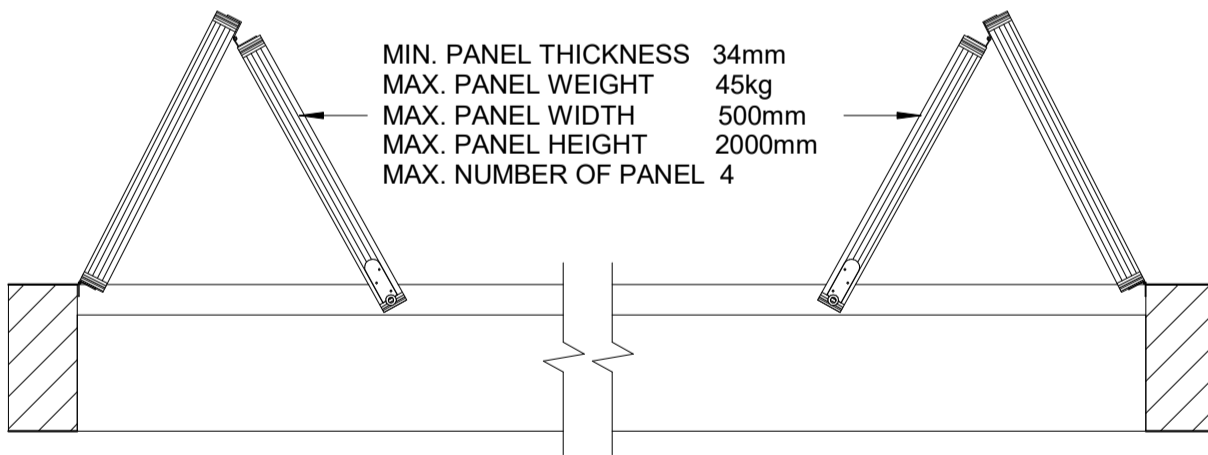


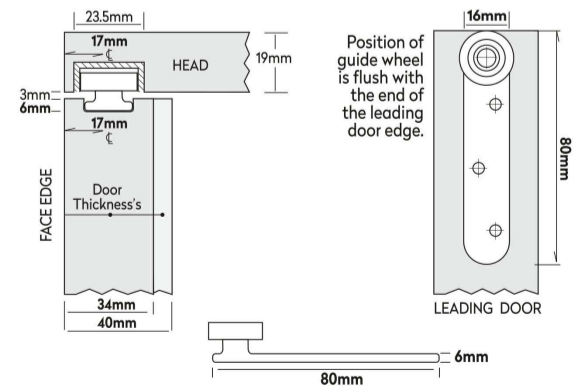
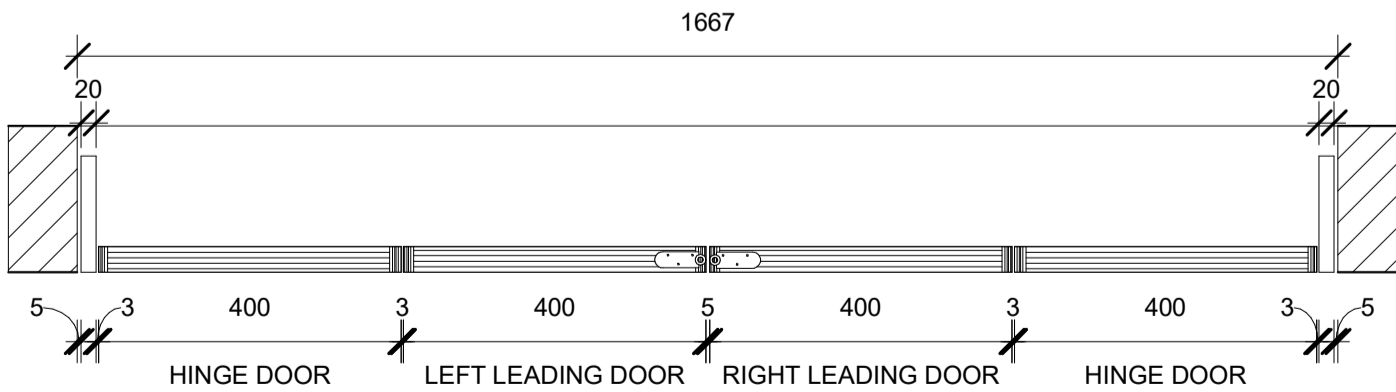
1 FRONT VIEW 4 Panel  
1 : 10



2 SIDE VIEW 4 Panel  
1 : 10



3 TOP VIEW 4 Panel  
1 : 10



Routing of the guide wheel is 80mm length, 16mm width, 6mm depth. On 34mm & 40mm door thickness's, centre for the guide wheel is 17mm from the leading door face edge.  
Position of guide wheel is flush with the end of the leading door edge.

STANDARD DOUBLE BI-FOLD DOOR CLEARANCES	300mm > 400mm	3mm 3mm 6mm 3mm 3mm
	400mm > 500mm	3mm 3mm 5mm 3mm 3mm

PLEASE NOTE MEASUREMENTS ARE NOMINAL ONLY.  
PLEASE MEASURE PRODUCT ON SITE

ALL MEASUREMENT SHOWN IN MILLIMETERS

