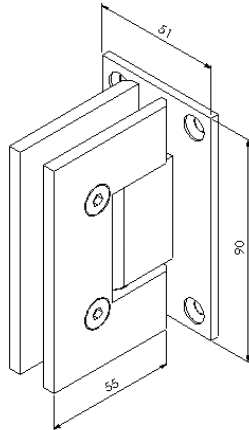
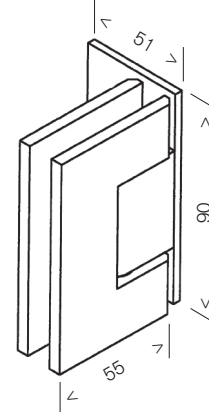


GLASSTECH ECONOMY HINGES

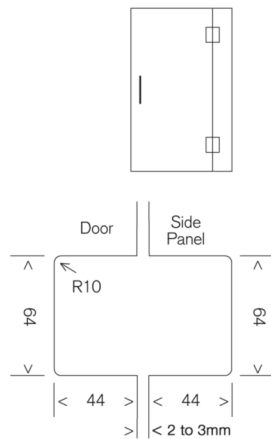
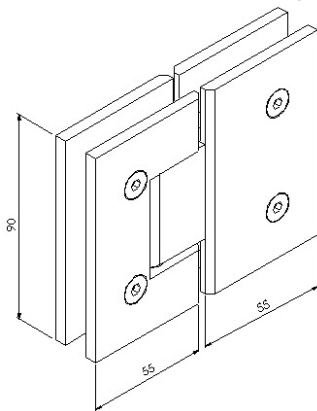
G.T1
Wall Mount Hinge



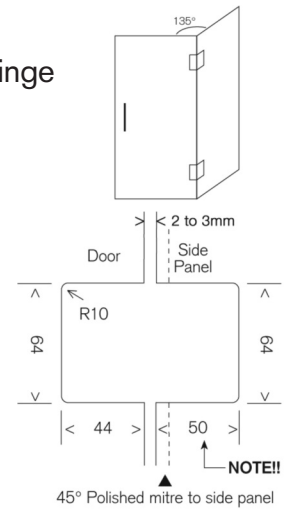
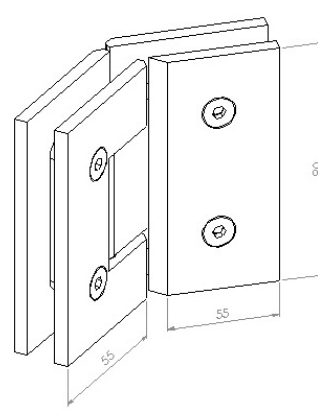
G.T1-L
Single Side Wall Mount Hinge
3 Screw Fixing



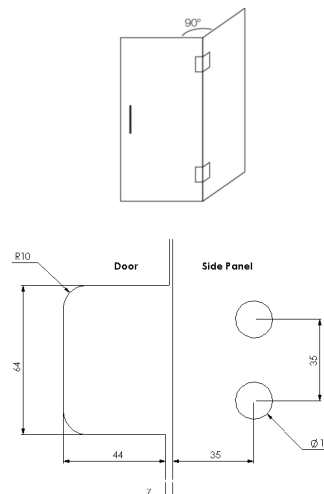
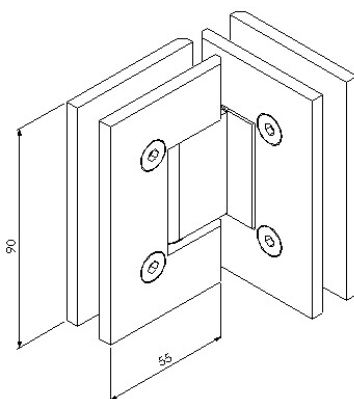
G.T2
Glass to Glass Hinge



G.T3
Glass to Glass 135° Hinge



G.T4
Glass to Glass 90° Hinge



Maximum door weight is 35kg and maximum door width is 750mm for above hinges.