

Handrail Bracket - Modena Glaze
Product Code: HBGR20

HBGR20 handrail bracket for glass

Weld on or with saddles

Manufactured from the highest
quality AISI316 grade stainless steel

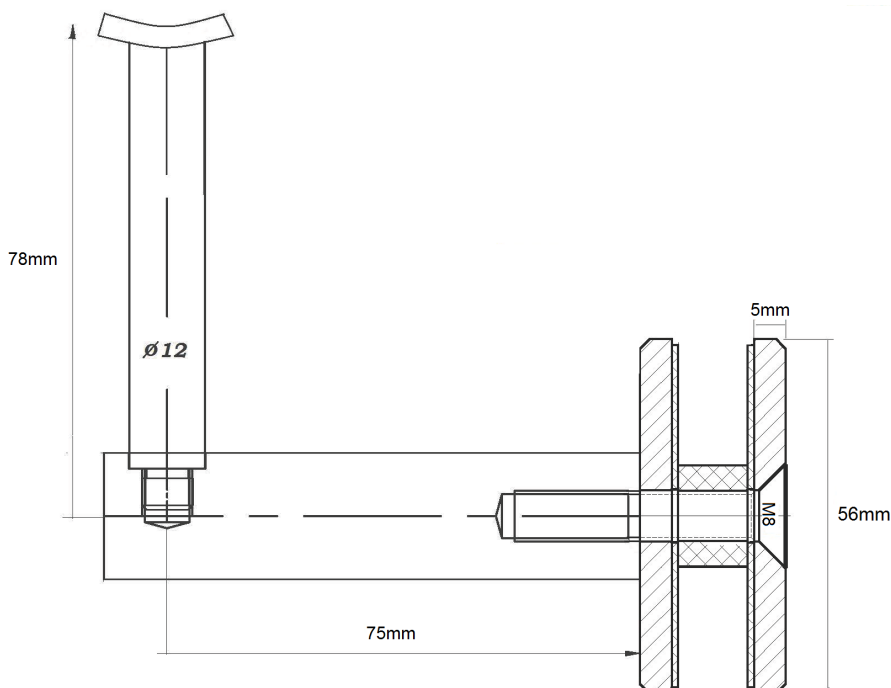
Available in satin & mirror

This handrail bracket complies with BIA
acceptable solutions D1/AS1



HBGR20 Handrail Bracket for glass

- 56mm diameter base and 20mm Rod to match Modena Grande HBR20B wall bracket
- Solid construction
- Bushes and washers included
- 12mm diameter rod upright
- Weld on or saddles available
- Recommended spacing maximum 1000mm



Visible 8mm countersunk
screw fixing



Handrail Fittings Ltd
0800 HANDRAIL
0800 426372