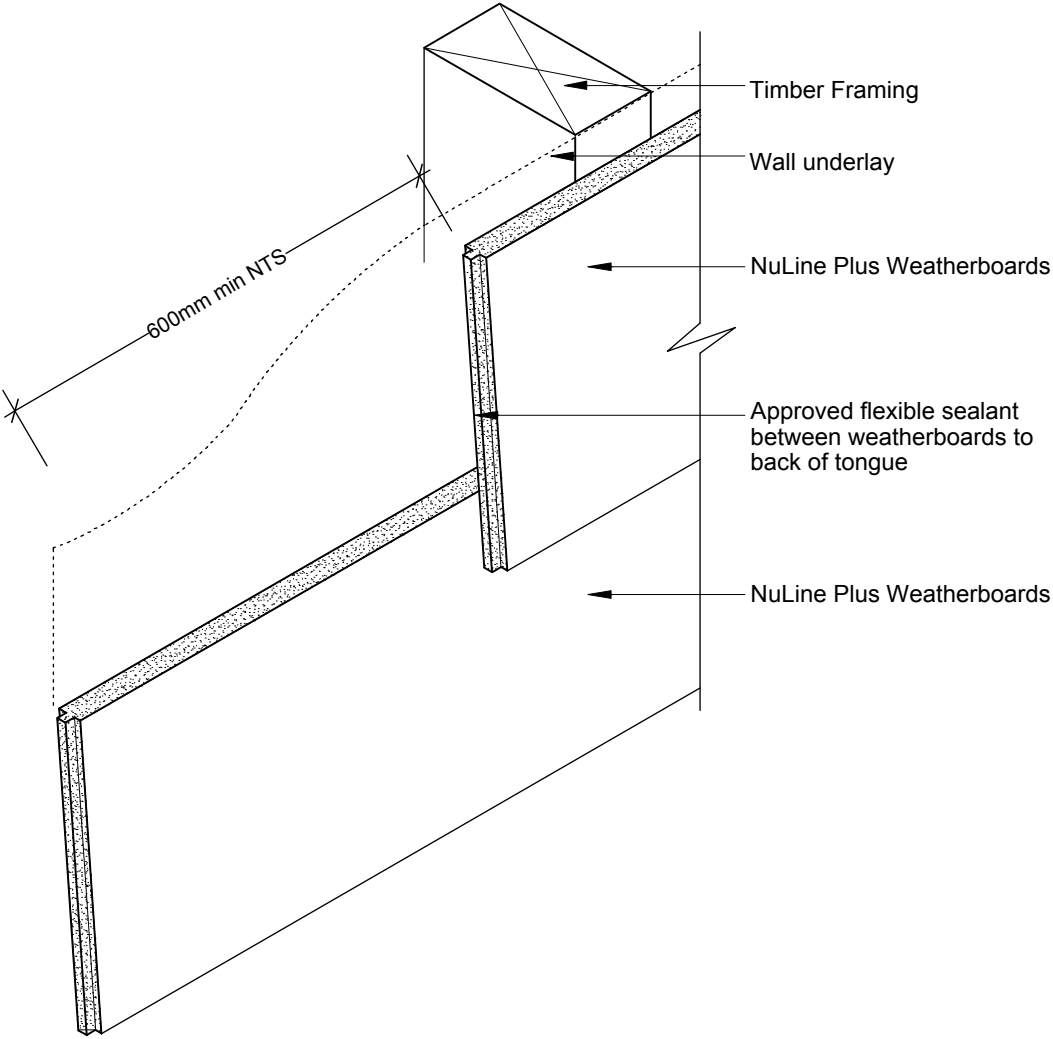




Fibre Cement



PROFILE NuLine™ Plus Weatherboards

DATE Sep 2012

DETAIL Plank Joint
Direct fixed

SCALE 1:5 @ A4

DETAIL NO. NU-02 D