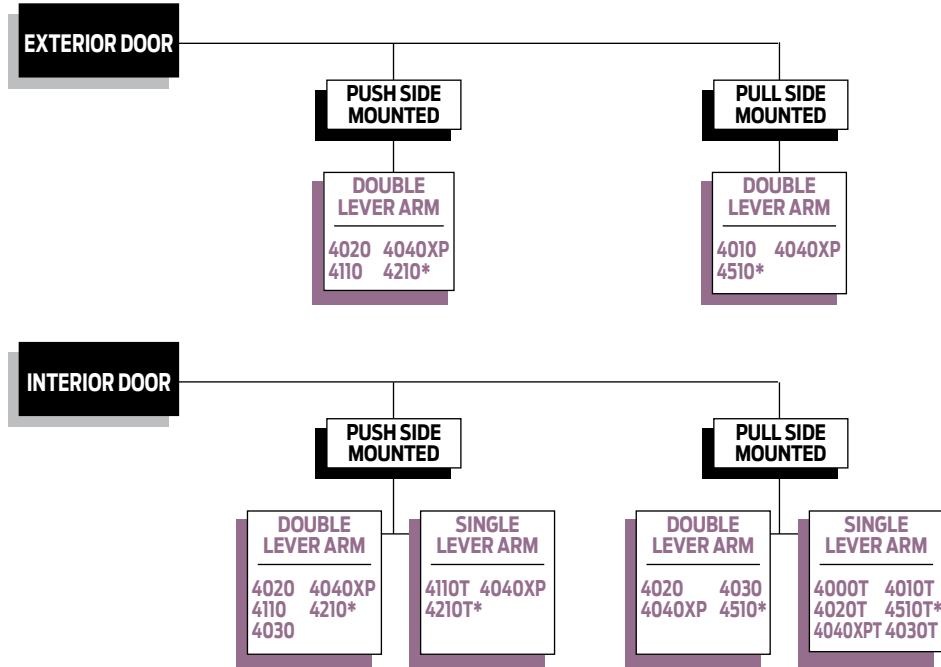


# 4000 SERIES SURFACE MOUNTED CLOSERS

## PRODUCT SELECTION GUIDE

Surface mounted 4000 Series LCN closers feature a modern design engineered for each application, easy installation, and superior performance. This guide is based on the desired mounting of the closer.



\* INDICATES HIGH SECURITY CLOSER. REFER TO THAT SECTION OF THE CATALOG.

## PRODUCT COMPARISON

This chart shows a basic comparison of 4000 Series closers. Refer to the specific closer chapter for complete details.

CLOSER SERIES	MOUNTING					FINISH		COVER		CYLINDER				**ARM FUNCTION			
	HINGE (PULL/SIDE)	TOP JAMB (PULL)	TOP JAMB (PUSH)	PARALLEL ARM	STOP FACE	POWDER COAT	PLATED	PLASTIC	METAL	REGULAR (DOUBLE)	STANDARD (SINGLE)	HOLD OPEN	FUSIBLE LINK	EDA/HEDA	CUSH/HCUSH	SCUSH/SHCUSH	DOUBLE EGRESS
4010	●	○	○	○	○	●	●	●	●	○	●	○	○	○	○	○	○
4010T	●	○	○	○	○	●	●	○	○	○	○	○	○	○	○	○	○
4020	○	○	○	●	○	●	●	○	○	○	○	○	○	○	○	○	○
4020T	○	○	○	○	○	●	●	○	○	○	○	○	○	○	○	○	○
4030	●	○	○	○	○	●	●	○	○	○	○	○	○	○	○	○	○
4030T	●	○	○	○	○	●	●	○	○	○	○	○	○	○	○	○	○
4040XP	●	○	○	○	○	●	●	○	○	○	○	○	○	○	○	○	○
4040XPT	●	○	○	○	○	●	●	○	○	○	○	○	○	○	○	○	○
4110	○	○	○	○	○	●	●	○	○	○	○	○	○	○	○	○	○
4110T	○	○	○	○	○	●	●	○	○	○	○	○	○	○	○	○	○
4000T	●	○	○	○	○	●	●	○	○	○	○	○	○	○	○	○	○

● AVAILABLE  
○ NOT AVAILABLE

○ Closer available with less than 5.0 lbs. opening force on 36" door.  
 \*\* Maximum opening/hold-open point with standard template. See individual closer series for degrees of opening per installation.  
 \*\*\* Advanced Variable Backcheck.  
 \*\*\*\* Delay Action for 4040XP Requires standard 4041 cylinder.

# 4000 SERIES SURFACE MOUNTED CLOSERS

## APPLICATIONS

- For aluminum, hollow metal, or wood swinging doors and frames.
- Can be used with hinge or pivot mounted door.
- Adapter plates and other installation accessories available for unusual conditions.

## FEATURES COMMON TO 4000 SERIES

- Each closer (except 4040XP, 4040XPT, 4030, 4030T) is designed for a specific mounting: hinge side, top jamb, or parallel arm. 4040XP closer with regular or hold-open arm mounts hinge side or top jamb. 4030 and 4040 regular parallel arm closers include 62PA SHOE required to parallel arm mount either regular or hold-open arm.
- Handed for right or left swinging doors, except 4000T, 4030, 4030T, 4040XP and 4040XPT.
- Closers to meet ADA reduced opening force requirements except 4000T.
- Adjustable hydraulic backcheck cushions opening swing prior to 90°.
- Separate regulation of general closing speed and latching speed.
- Joints in regular arm and shoe adapt to uneven trim.
- Reversible shoe to boost latching power on double lever arms.
- Available in a wide range of standard or optional custom powder coat finishes to blend with door and frame.
- Plated finishes available to accent door and frame.
- Not designed for exterior mounting or exposed to elements.

## DESIGN ASSISTANCE

LCN has been providing reliable solutions to unique door control problems for over 85 years. Design and specification assistance are only a phone call away.

Contact LCN for assistance or technical information at **877-671-7011** or **FAX 800-248-1460 (Order Entry)**, Fax **815-879-1495** for Product Support.

## WARRANTY

30 year limited warranty. See General Information Section for complete warranty details.

## SPECIFICATIONS

Refer to "SPECIFICATIONS" section for suggested architectural specifications.

## MATERIALS

- High strength **cast iron** cylinder.
- **Forged steel** main arms.
- One piece **forged steel** piston.
- **Double heat treated** pinion.
- **All weather fluid** eliminates seasonal adjustments temperatures ranging from 120° F (49° C) to -30° F. (-35° C).
- **High efficiency, full complement**, low friction bearings.
- Tamper resistant regulating screws.
- Full rack and pinion hydraulic action.
- Quiet, low friction track and roller combination for all single lever arm closers.

## FINISHES

- Available in seven standard or optional custom powder coat finishes to blend with door and frame.

- LCN's powder coat finishes surpass 100 hours of salt spray which is over four times the ANSI standard for corrosion resistance.
- For installations where a higher level of corrosive resistance is required, LCN offers an optional special rust inhibiting (SRI) pre-treatment. Closers that combine the exclusive LCN powder coat finish and the SRI pre-treatment exceed the ANSI standard for corrosion resistance even further.
- Plated finishes are available as an option to accent door and frame. (SRI not available with plated finishes).

## LISTINGS & APPROVALS

UL listed for self-closing doors without hold-open under "SWINGING DOOR CLOSERS"(GVEV) file R1943.

Tested and certified under ANSI Standard A156.4 Grade One. Consult factory for details.

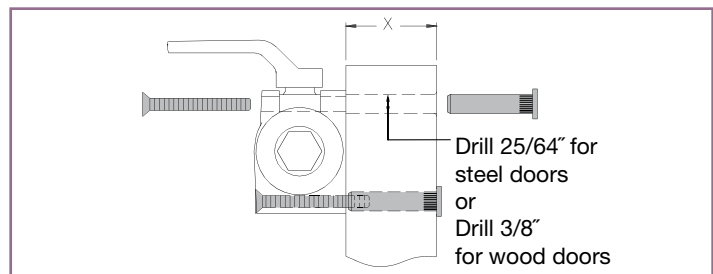
Consult factory for other listings such as; cUL, California State Fire Marshal, Bureau of Standards and Appeals.

## POSITIVE PRESSURE

LCN closers have been certified for three hours by UL to be in compliance with UBC 7.2 (1997) and UL 10C. Contact LCN for specific details on door closer fire ratings.

## FASTENERS

4010, 4010T, 4020, 4020T, 4040XP, 4040XPT, 4110, 4110T Series closers are shipped with: A standard SELF-REAMING and TAPPING SCREW (SRT) pack that contains Philips head SRT screws to install the closer. 4000T series closers are shipped with: A standard WOOD and MACHINE SCREW (WMS) pack that contains Philips head wood and machine screws to install the closer. 4030, 4030T series closers are shipped with: A standard WOOD and SELF-TAPPING MACHINE SCREW (WMS) pack that contains Phillips head wood and self-tapping machine screws to install the closer. Standard LCN thru bolts (TB) can be installed on 1-3/4" (44 mm) thick doors with 1/4"-20 machine screws. Optional thru bolt (TB) sizes are available for 1-5/8" (41 mm) or 1-3/8" (35 mm) door thickness, but this must be specified when ordering.



### Notes:

1. For Thru Bolts, specify door thickness if other than 1-3/4" (44mm), represented in diagram as dimension "X".
2. Phillips head, metric machine screws are available, please specify.
3. LCN recommends the use of wood screws, available in optional WMS screw packs, for wood door applications.

## MAINTENANCE

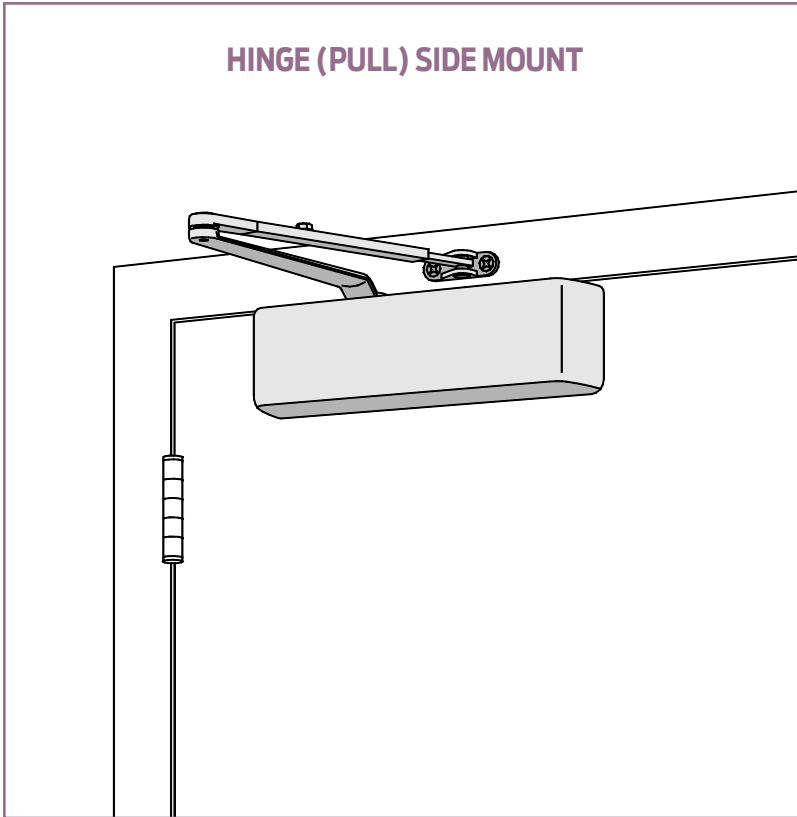
Closers mounted according to LCN installation instructions require no periodic maintenance or adjustments.

# 4010 SERIES

## FEATURES

The 4010 is LCN's best performing heavy duty closer designed specifically for institutional and other rugged high traffic applications.

- Cast Iron
- Forged Steel Main Arm
- Double Heat Treated Steel Pinion
- All Weather Fluid
- LCN Patented Green Dial
- UL & cUL Listed
- Peel-n-Stick Templates for Fast and Accurate Installations



- Standard 4010 Series closer is shipped with regular arm, standard plastic cover, and self reaming and tapping screws. See 4010 Series page 5 for options.
- Size 6 (4016) cylinder for interior doors to 5' 0" and exterior doors to 4' 0".
- Non-sized cylinder (4011) adjustable for interior doors to 4' 6" and exterior doors to 3' 6".
- Closer mounts hinge side, specify right or left swinging door.
- 4011 cylinder meets ADA requirements. See 4010 Series page 6.
- Standard or optional custom powder coat finish.
- Optional plated finish on metal cover, arm and fasteners.
- Optional SRI primer for installations in corrosive conditions is available with powder coat finish only.
- The 4010 Series is UL and cUL listed with regular or fusible link arms for self-closing doors.
- Tested and certified under ANSI Standard A156.4, grade one.



MOUNTING					FINISH		COVER		CYLINDER			**ARM FUNCTION									
HINGE/PULLSIDE	TOP JAMB (PULL)	TOP JAMB (PUSH)	PARALLEL ARM	STOP FACE	POWDER COAT	PLATED	PLASTIC	METAL	NON-HANDED	NON-SIZED	ACCESSIBILITY	DELAYED ACTION	AVB***	REGULAR (DOUBLE)	STANDARD (SINGLE)	HOLD-OPEN	FUSIBLE LINK	EDA/HEDA	CUSH/HCUSH	SCUSH/SHCUSH	DOUBLE EGRESS
●	○	○	○	○	●	●	●	●	○	●	♿	●	○	140°	○	140°	140°	○	○	○	○

● AVAILABLE  
○ NOT AVAILABLE

♿ Closer available with less than 5.0 lbs. opening force on 36" door.  
\*\* Maximum opening/hold-open point with standard template.  
\*\*\* Advanced Variable Backcheck.

# 4010 SERIES

## MOUNTING DETAILS

### HINGE (PULL) SIDE MOUNTING

#### MAXIMUM OPENING

Can be templated for 100°

(A) = 5-15/16" (151 mm)

(B) = 11-15/16" (303 mm)

or 140°

(A) = 4-3/16" (106 mm)

(B) = 10-3/16" (259 mm)

Hold-open points up to maximum opening with hold-open arm.

#### Arm Clearance above door.

Regular arm requires

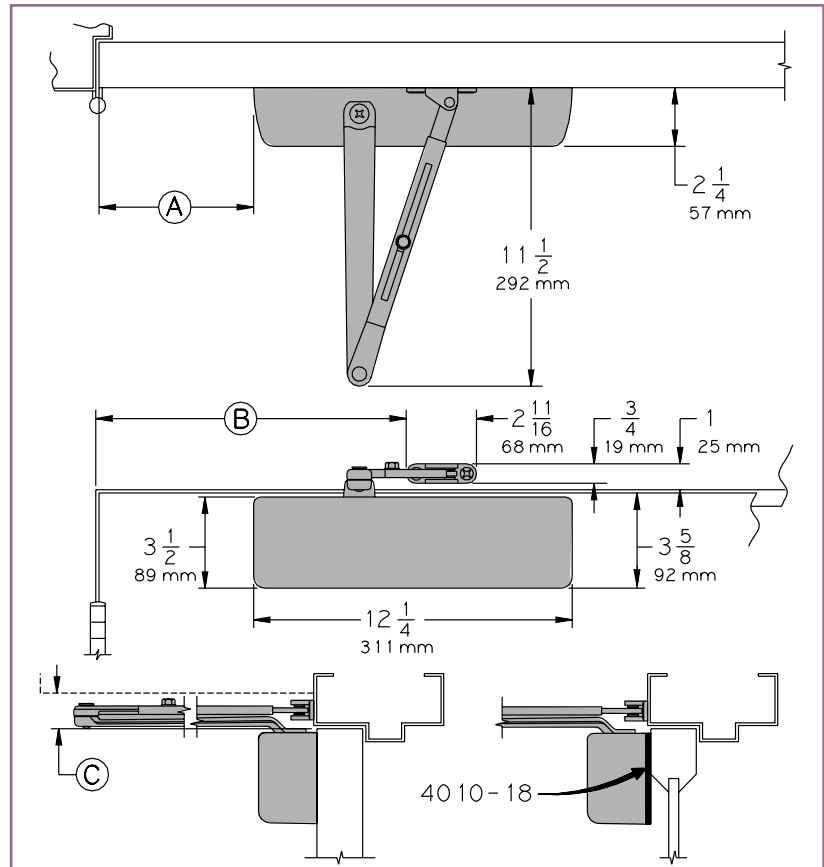
(C) = 1-1/16" (27 mm).

Hold-open arm requires

(C) = 1-3/8" (35 mm).

Fusible link arm requires

(C) = 1-5/8" (41 mm).



- **Butt Hinges** should not exceed 5" (127 mm) in width.
- **Auxiliary Stop** is recommended at hold-open point or where a door cannot swing 140°.
- **Reveal** should not exceed 3/4" (19 mm). Should not exceed 1/8" (3 mm) for Fusible link arm.
- **Top Rail** less than 3-3/4" (95 mm) requires PLATE, 4010-18. Plate requires 2" (51 mm) minimum.
- **Clearance** of 2-1/4" (57 mm) behind door required for 90° installation.
- **Delayed Action** Add suffix "DEL" to selected cylinder. Not available with 4016 cylinder. Delays closing from maximum opening to approximately 70°. Delay time adjustable up to approximately 1 minute.

#### Options

- Size 6 or non-sized cylinder.
- Delayed action cylinder.
- Hold-open or fusible link arm.
- Metal cover.

#### Special Templates

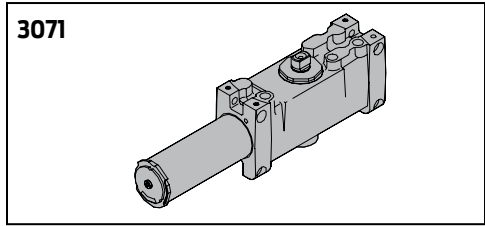
Customized installation templates or products may be available to solve unusual applications. Contact LCN Product Support for assistance.

# 4010 SERIES

## CYLINDERS

### CYLINDER, 4010-3071

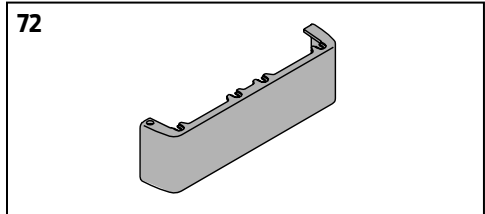
Standard, handed cast iron cylinder assembly.  
For various applications see "Table of Sizes" on 4010 Series page 6. Available in size 1 (Adjustable 1-5) or size 6.



## COVERS

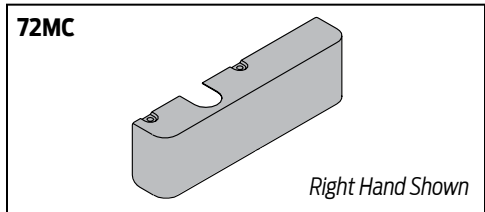
### COVER, 4010-72

Standard, non-handed plastic cover.



### METAL COVER, 4010-72MC

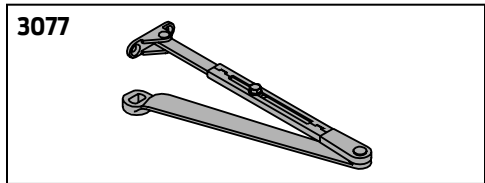
Optional, handed cover. Required for plated finishes and custom powder coat finishes.



## ARMS

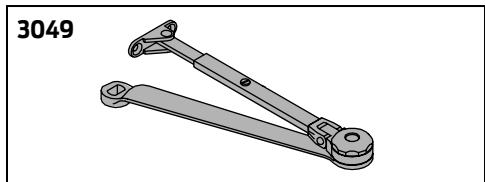
### REGULAR ARM, 4010-3077

Non-handed arm.



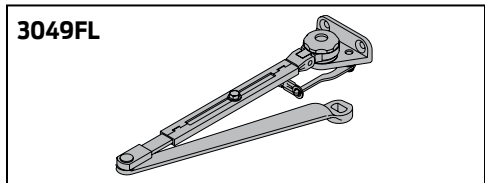
### HOLD-OPEN ARM, 4010-3049

Optional, handed arm provides hold-open function, adjustable at elbow.



### FUSIBLE LINK ARM, 4010-3049FL

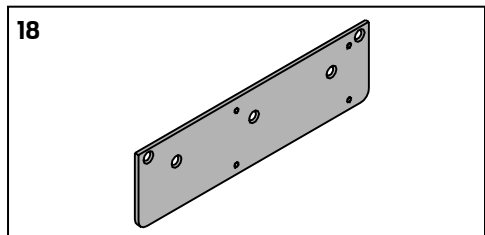
Optional, handed arm releases hold-open function when exposed to temperatures above 165° F. 1/8" (3 mm) maximum reveal.  
NOTE: Check local codes before specifying FL arms. NOT A life safety product!



## INSTALLATION ACCESSORIES

### PLATE, 4010-18

Required where top rail is less than 3-3/4" (95 mm).  
Plate requires minimum 2" (51 mm) top rail.



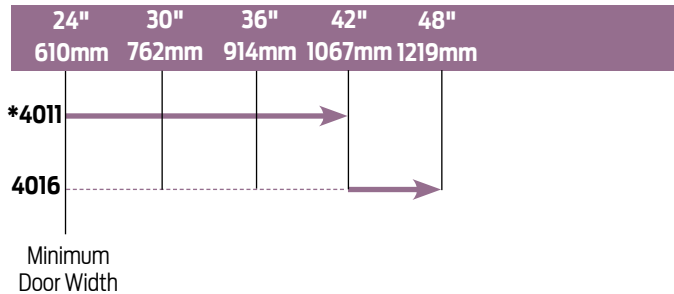
# 4010 SERIES

## TABLE OF SIZES

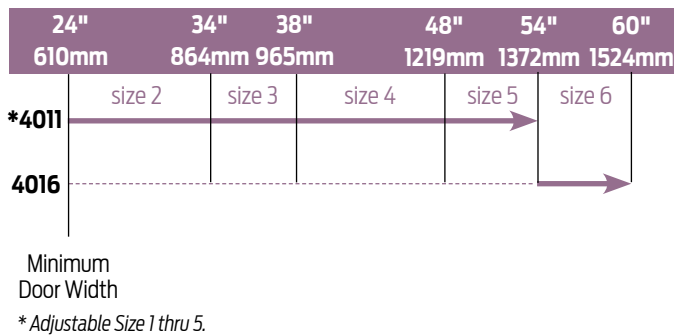
Select closer based on width of door.  
 The spring power of non-sized 4011 cylinder is adjustable from size 1 through size 5 and is shipped set to size 3.  
 Sized 4010 Series cylinders available in size 6.  
 Delayed action not available with 4016 cylinder.

→ Indicates recommended range of door width for closer size.

### EXTERIOR (and VESTIBULE) DOOR WIDTH




### INTERIOR DOOR WIDTH



## REDUCED OPENING FORCE 4010 CLOSERS

**CAUTION!** Any manual door closer, including those certified by BHMA to conform to ANSI Standard A156.4, that is selected, installed and adjusted based on ADA or other reduced opening force requirements may not provide sufficient power to reliably close and latch a door.

Refer to AUTOMATIC OPERATORS section for information on systems that meet reduced opening force requirements without affecting closing power.

	DOOR WIDTH	36"	42"	48"
	8.5* lbs.	4011	4011	4011
	5.0* lbs.	4011	4011	4011

\* Maximum opening force.

## HOW-TO-ORDER 4010 SERIES CLOSERS

### 1. SELECT CYLINDER SIZE

- 4011 (adjustable from size 1 to 5)
- 4016 (DEL not available)

### 2. SPECIFY HAND

- RH
- LH

### 3. SELECT FINISH

- Standard Powder Coat \_\_\_\_\_  
 Aluminum, Dark Bronze, Statuary,  
 Light Bronze, Black, Brass.

### Closer will be shipped with:

- STANDARD COVER,
- REGULAR ARM,
- SELF REAMING and TAPPING SCREWS,  
*unless options listed below are selected.*

## CLOSER OPTIONS

### CYLINDER

- Delayed Action (DEL)

### COVER

- Metal (MC)

### ARM

- Hold-Open (H)
- Fusible Link, 165°F (FL)

### FINISH

- Custom Powder Coat (RAL) \_\_\_\_\_  
 (handed metal cover required)
- Plated Finish, US \_\_\_\_\_  
 (handed metal cover required)
- SRI primer (use with powder coat finishes only)

### SCREW PACK

- TB\* & SRT Screw (TBSRT)
- Wood & Machine Screw (WMS)
- TB\*, Wood & Machine Screw (TBWMS)
- TORX Machine Screw (TORX)
- TB\* & TORX Machine Screw (TBTRX)  
*\* Specify door thickness if other than 1-3/4".*

### INSTALLATION ACCESSORIES

- Plate, 4010-18

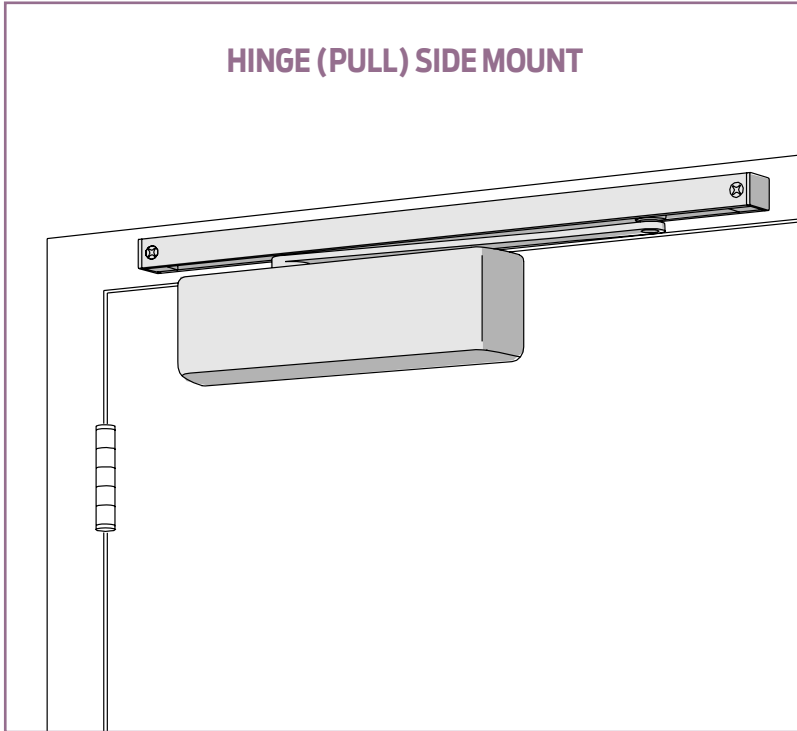
### SPECIAL TEMPLATE

- ST- \_\_\_\_\_

# 4010T SERIES

## FEATURES

The 4010T is LCN's best performing heavy duty track closer designed specifically for interior doors in institutional and other rugged high traffic applications.



- Cast Iron
- Forged Steel Arm
- Double Heat Treated Steel Pinion
- All Weather Fluid
- UL & cUL Listed
- Peel-n-Stick Templates for Fast and Accurate Installations

- Standard 4010T Series closer is shipped with standard arm, standard track, track roller, standard plastic cover, and self reaming and tapping screws. See 4010T Series pages 9 & 10 for options.
- Sized cylinders for interior doors to 4' 0".
- Closer mounts hinge side, specify right or left swinging door.
- Standard or optional custom powder coat finish.
- Optional plated finish on metal cover, arm and fasteners.
- Optional SRI primer for installations in corrosive conditions is available with powder coat only.
- 4010T-DE available for double egress frames. See 4010T Series page 9.
- The 4010T Series is UL and cUL listed with a standard track for self-closing doors.
- Tested and certified under ANSI Standard A156.4, grade one.

MOUNTING					FINISH		COVER		CYLINDER			**ARM FUNCTION										
HINGE (PULL) SIDE	TOP JAMB (PULL)	TOP JAMB (PUSH)	PARALLEL ARM	STOP FACE	POWDER COAT	PLATED	PLASTIC	METAL	NON-HANDED	NON-SIZED	ACCESSIBILITY	DELAYED ACTION	AVB***	REGULAR (DOUBLE)	STANDARD (SINGLE)	HOLD-OPEN	FUSIBLE LINK	EDA/HEDA	CUSH/HCUSH	SCUSH/SHCUSH	DOUBLE EGRESS	
●	○	○	○	○	●	●	●	●	○	○	○	○	○	○	○	○	○	○	○	○	○	○
														180°	120°							100°

● AVAILABLE  
○ NOT AVAILABLE

♿ Closer available with less than 5.0 lbs. Opening force @ 36"  
 \*\* Maximum opening/hold-open point with standard template.  
 \*\*\* Advanced Variable Backcheck

# 4010T SERIES

## MOUNTING DETAILS

### HINGE (PULL) SIDE MOUNTING

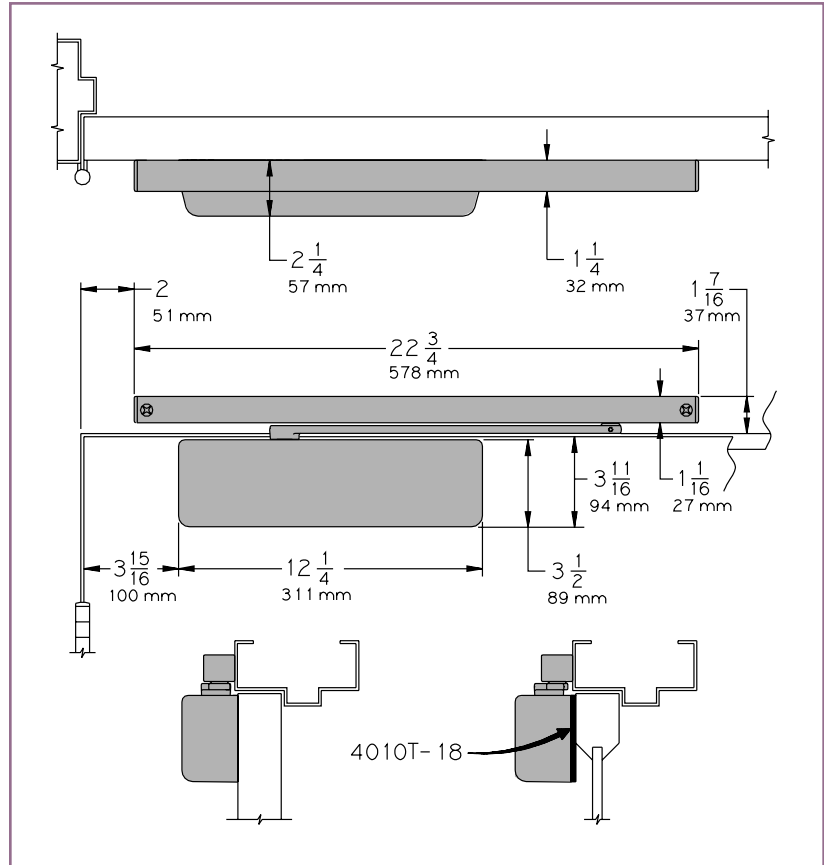
#### MAXIMUM OPENING

Templating allows 180° with standard arm, limited to 120° when optional bumper is installed.

Consult factory if door will be held open at 180°.

Hold-open points at , 90°, 95°, 100°, 105°, 110° or 120°, depending on the clip location in track.

Please note that many track style door closers are capable of allowing 180° of door swing. Be aware that the majority of track style closers are at their weakest closing force in the 180 – 130° range. Consult factory for applications where door must swing 180°.



- **Butt Hinges** should not exceed 5" (127 mm) in width.
- **Auxiliary Stop** is recommended at hold-open point or where a door cannot swing 180°.
  - Note: Optional track bumper assembly assists backcheck in cushioning the opening swing of the door. It is not intended to replace an auxiliary stop.**
- **Reveal** should not exceed 1/8" (3 mm) for standard arm. Should not exceed 3-5/16" (84 mm) for double egress arm.
- **Top Rail** less than 3-3/4" (95 mm) requires PLATE, 4010T-18.
  - Note: Plate requires 2" (51 mm) minimum.**
- **Head Frame** requires 1-1/2" (38 mm) minimum.
- **Clearance** of 2-1/4" (57 mm) behind door required for 90° or 180° installation.

#### Options

- Standard track with bumper, hold-open track, hold-open track with bumper.
- Double egress arm.
- Metal cover.

#### Special Templates

Customized installation templates or products may be available to solve unusual applications. Contact LCN Product Support for assistance.

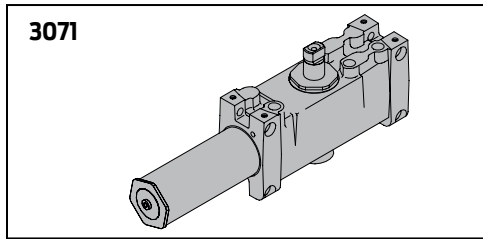


# 4010T SERIES

## CYLINDERS

### CYLINDER, 4010T-3071

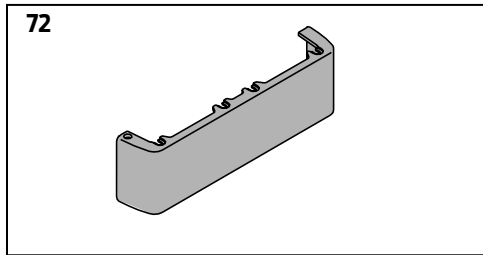
Standard, handed cast iron cylinder assembly.  
For various applications see "Table of Sizes" on 4010T Series page 11. Available in sizes 1, 3, & 4.



## COVERS

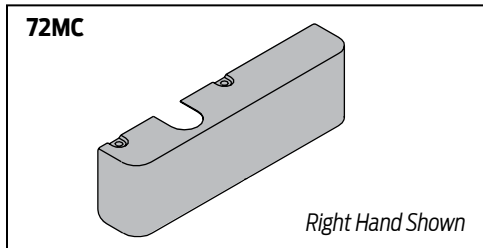
### COVER, 4010T-72

Standard, non-handed plastic cover.



### METAL COVER, 4010T-72MC

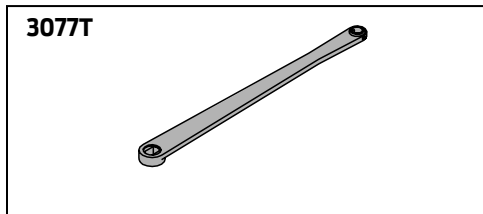
Optional, handed cover. Required for plated finishes and custom powder coat finishes.



## ARMS

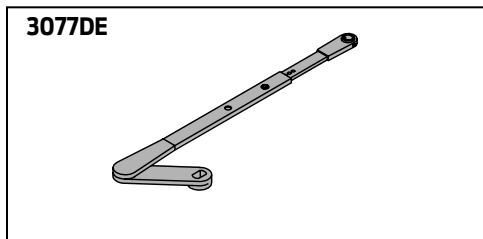
### STANDARD ARM, 4010T-3077T

Handed arm.  
Arm does not include track roller.



### DOUBLE EGRESS ARM, 4010T-3077DE

Optional, handed arm for double egress doors and frames.  
Arm does not include track roller.  
Maximum reveal is 3 5/16" (84mm).



## TRACKS

### STANDARD TRACK, 4010T-3038

Standard, non hold-open, non-handed track.  
Will accept hold-open clip and/or bumper assembly.

### STANDARD TRACK with BUMPER, 4010T-3038B

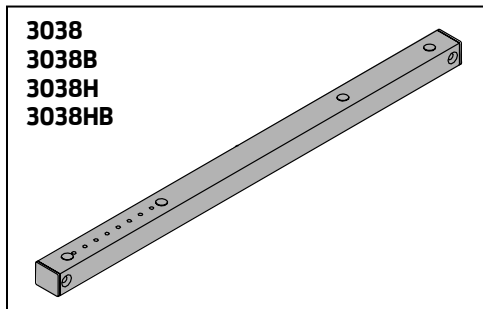
Optional non hold-open, non-handed track with bumper assembly installed.  
Will accept hold-open clip.

### HOLD-OPEN TRACK, 4010T-3038H

Optional, non-handed track with hold-open clip installed.  
Will accept bumper assembly.

### HOLD-OPEN TRACK with BUMPER, 4010T-3038HB

Optional, non-handed track with hold-open clip and bumper assembly installed.

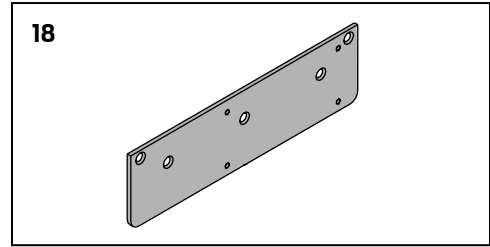


# 4010T SERIES

## INSTALLATION ACCESSORIES

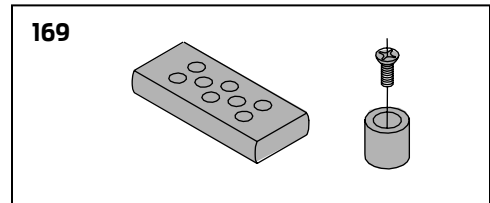
### PLATE, 4010T-18

Required where top rail is less than 3-3/4" (95 mm).  
Plate requires minimum 2" (51 mm) top rail.



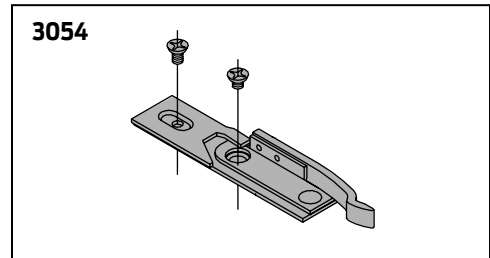
### TRACK BUMPER, 4010T-169

Mounts in track to assist backcheck, does not replace auxiliary stop.  
Limits maximum opening.  
Consists of bumper, bumper post, and mounting screw.



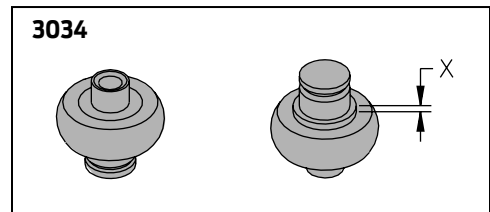
### HOLD-OPEN CLIP, 4010T-3054

Mounts in track to provide hold-open function.  
Hold-open point controlled by clip location.  
Consists of clip and mounting screws.



### TRACK ROLLER, 4010T-3034

Quiet, low friction roller assembly.  
Shoulder dimension "X" = 1/16" (2mm).



# 4010T SERIES

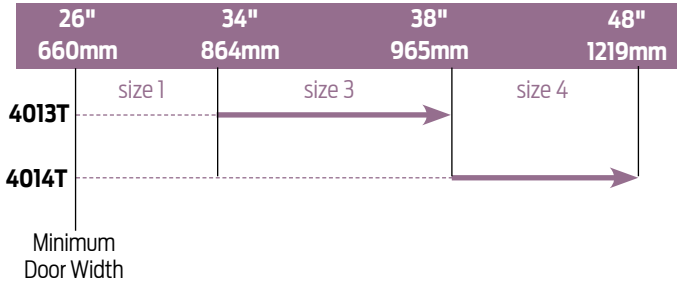
## TABLE OF SIZES

Select closer based on width of door.

Sized 4010T Series cylinders available in size 1, 3 or 4.

Closing power of all 4010T Series closers may be increased 15%.

### INTERIOR DOOR WIDTH




→ Indicates recommended range of door width for closer size.

\*\* Note: Using this closer on double-egress doors and frames requires the closer to be ordered with a "DE" suffix (i.e., 4014T DE). Standard "DE" option will accommodate pull side reveals up to 3-5/16". For deeper reveals, consult factory.

## REDUCED OPENING FORCE 4010T CLOSERS

**CAUTION!** Any manual door closer, including those certified by BHMA to conform to ANSI Standard A156.4, that is selected, installed and adjusted based on ADA or other reduced opening force requirements may not provide sufficient power to reliably close and latch a door.

Refer to AUTOMATIC OPERATORS section for information on systems that meet reduced opening force requirements without effecting closing power.

	DOOR WIDTH	36"	42"	48"
	8.5* lbs.	N/A	N/A	N/A
	5.0* lbs.	4011T	4011T	4011T

\* Maximum opening force.

## HOW-TO-ORDER 4010T SERIES CLOSERS

### 1. SPECIFY CYLINDER SIZE

- 4011T (ADA)
- 4013T
- 4014T

### 2. SPECIFY HAND

- RH
- LH

### 3. SPECIFY FINISH

- Standard Powder Coat \_\_\_\_\_  
Aluminum, Dark Bronze, Statuary,  
Light Bronze, Black, Brass.

### Closer will be shipped with:

- STANDARD COVER,
- STANDARD ARM,
- TRACK ROLLER,
- STANDARD TRACK,
- SELF-REAMING and TAPPING SCREWS,  
unless options listed below are selected.

## CLOSER OPTIONS

### COVER

- Metal (MC)

### ARM

- Double Egress (DE)\*\*

### TRACK

- Regular with Bumper (BUMPER)
- Hold-Open (HO)
- Hold-Open with Bumper (HBUMPER)

### FINISH

- Custom Powder Coat (RAL) \_\_\_\_\_  
(handed metal cover required)
- Plated Finish, US \_\_\_\_\_  
(handed metal cover required)
- SRI primer (use with powder coat finishes only)

### SCREW PACK

- TB\* & SRT Screw (TBSRT)
  - Wood & Machine Screw (WMS)
  - TB\*, Wood & Machine Screw (TBWMS)
  - TORX Machine Screw (TORX)
  - TB\* & TORX Machine Screw (TBTRX)
- \* Specify door thickness if other than 1-3/4".

### INSTALLATION ACCESSORY

- Plate, 4010T-18

### SPECIAL TEMPLATE

- ST- \_\_\_\_\_

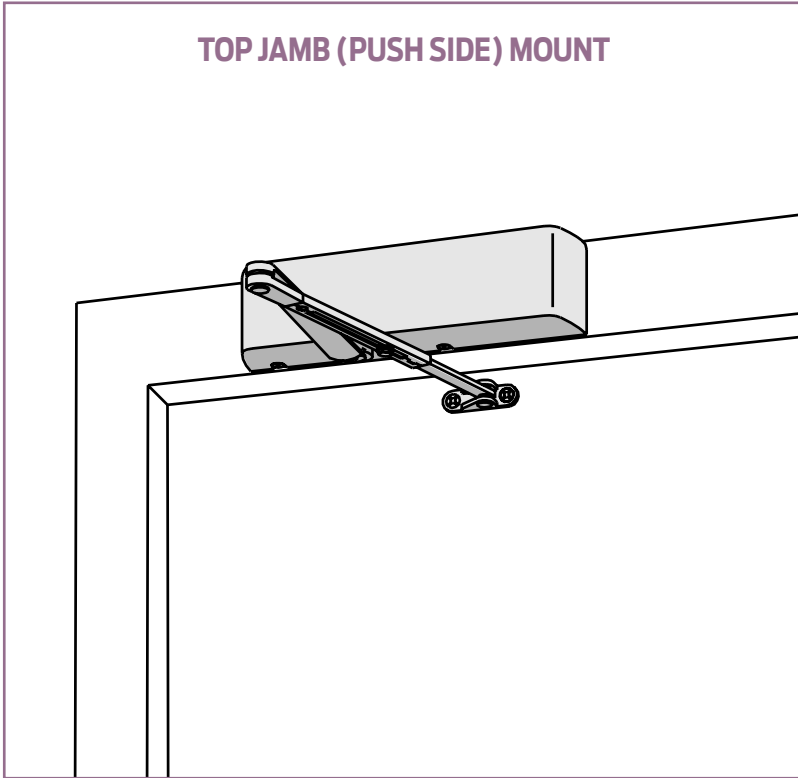


# 4020 SERIES

## FEATURES

The 4020 is LCN's best performing heavy duty closer designed specifically for institutional and other rugged high traffic applications.

- Cast Iron
- Forged Steel Main Arm
- Double Heat Treated Steel Pinion
- All Weather Fluid
- LCN Patented Green Dial
- UL & cUL Listed
- Peel-n-Stick Templates for Fast and Accurate Installations



- Standard 4020 Series closer is shipped with regular arm, standard plastic cover, and self reaming and tapping screws. See 4020 Series page 15 for options.
- Size 6 cylinder for interior doors to 5'0" and exterior doors to 4'0".
- Non-sized cylinder (4021) adjustable for interior doors to 4'6" and exterior doors to 3'6".
- Closer mounts top jamb (push side), specify right or left swinging door.
- 4021 cylinder meets ADA requirements. See 4020 Series page 16.
- Standard or optional custom powder coat finish.
- Optional plated finish on metal cover, arm and fasteners.
- Optional SRI primer for installations in corrosive conditions is available with powder coat only.
- The 4020 Series is UL and cUL listed with regular or fusible link arms for self-closing doors.
- Tested and certified under ANSI Standard A156.4, grade one.



MOUNTING					FINISH		COVER		CYLINDER			**ARM FUNCTION									
HINGE (PULL SIDE)	TOP JAMB (PULL)	TOP JAMB (PUSH)	PARALLEL ARM	STOP FACE	POWDER COAT	PLATED	PLASTIC	METAL	NON-HANDED	NON-SIZED	ACCESSIBILITY	DELAYED ACTION	AVB***	REGULAR (DOUBLE)	STANDARD (SINGLE)	HOLD-OPEN	FUSIBLE LINK	EDA/HEDA	CUSH/HCUSH	SCUSH/SHCUSH	DOUBLE EGRESS
○	○	●	○	○	●	●	●	●	○	●	♿	●	○	180°	○	140°	140°	○	○	○	○

● AVAILABLE  
○ NOT AVAILABLE

♿ Closer available with less than 5.0 lbs. opening force on 36" door.  
\*\* Maximum opening/hold-open point with standard template.  
\*\*\* Advanced Variable Backcheck.

# 4020 SERIES

## MOUNTING DETAILS

### TOP JAMB (PUSH SIDE) MOUNTING

#### MAXIMUM OPENING

Can be templated for  
100°,

Ⓐ = 6" (152 mm)

Ⓑ = 12 3/8" (314 mm)

140°,

Ⓐ = 4" (102 mm)

Ⓑ = 10 3/8" (264 mm)

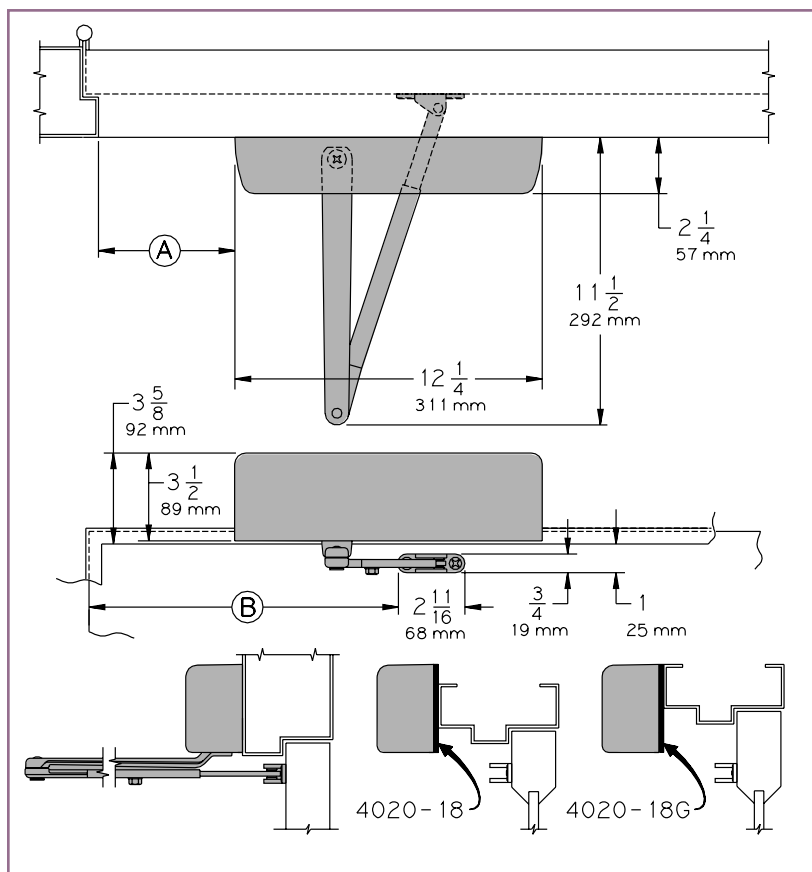
or 180°.

Ⓐ = 2" (51 mm)

Ⓑ = 8 3/8" (213 mm)

Hold-open points up to maximum opening or 140°, whichever is less, for hold-open or fusible link arm.

For hold-open beyond 140°, use 4110 Series closer.



#### Options

- Size 6 or non-sized cylinder.
- Delayed action cylinder.
- Hold-open, or fusible link arm.
- Metal cover.

#### Special Templates

Customized installation templates or products may be available to solve unusual applications. Contact LCN Product Support for assistance.

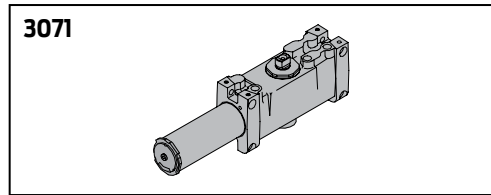
- **Butt Hinges** should not exceed 5" (127 mm) in width.
- **Auxiliary Stop** is recommended at hold-open point or where the door cannot swing 180°.
- **Reveal** of 2-9/16" (65 mm) allows 180° opening with regular arm.  
4-13/16" (122 mm) allows up to 140° opening with regular arm.  
8" (203 mm) allows up to 140° opening with LONG ARM where standard rod and shoe is replaced with optional long rod and shoe (4020-79LR).
- **Head Frame** less than 3-7/16" (87 mm) requires PLATE, 4020-18  
Use PLATE, 4020-18G for flush ceiling condition.  
Either plate requires 1-3/4" (44 mm) minimum.
- **Top Rail** requires minimum 1-1/2" (38 mm).  
Closer on 4020-18 plate requires 2" (51 mm) minimum.  
Closer on 4020-18G plate requires 2-3/4" (70 mm) minimum.
- **Delayed Action** Add suffix "DEL" to selected cylinder.  
Not available with 4026 cylinder.  
Delays closing from maximum opening to approximately 75°.  
Delay time adjustable up to approximately 1 minute.

# 4020 SERIES

## CYLINDERS

### CYLINDER, 4020-3071

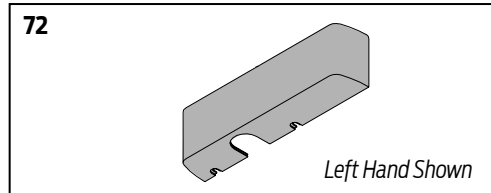
Standard, handed cast iron cylinder assembly.  
For various applications see "Table of Sizes" on 4020 Series page 16.



## COVERS

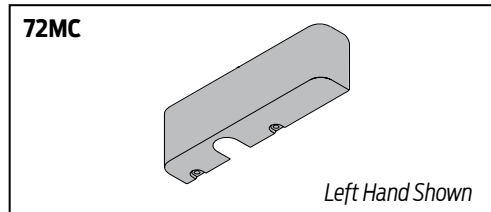
### COVER, 4020-72

Standard, handed plastic cover.



### METAL COVER, 4020-72MC

Optional, handed cover. Required for plated finishes and custom powder coat finishes.



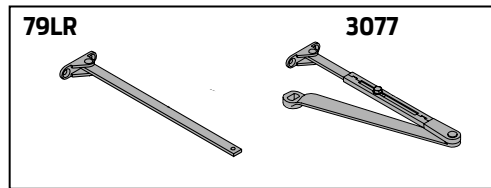
## ARMS

### REGULAR ARM, 4020-3077

Non-handed arm.

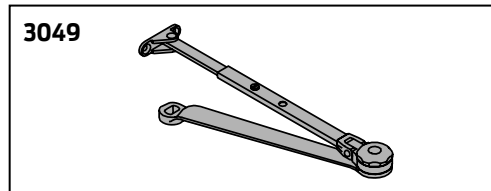
### LONG ARM, 4020-3077L

Optional non-handed arm includes 4020-79LR for deep reveals.  
(see page 14 for allowable reveals)



### HOLD-OPEN ARM, 4020-3049

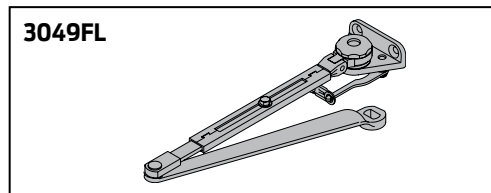
Optional, handed arm provides hold-open function, adjustable at elbow. 5-3/4" (146 mm) maximum reveal, 140° hold open.



### FUSIBLE LINK ARM, 4020-3049FL

Optional, handed arm releases hold-open function, adjustable at shoe, when exposed to temperatures above 165° F.  
3-7/8" (98 mm) maximum reveal.

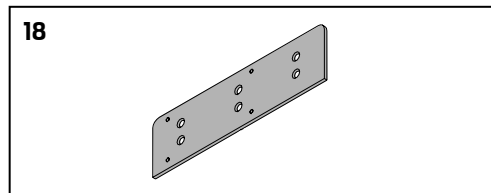
*NOTE: Check local codes before specifying FL arms. NOT A life safety product!*



## INSTALLATION ACCESSORIES

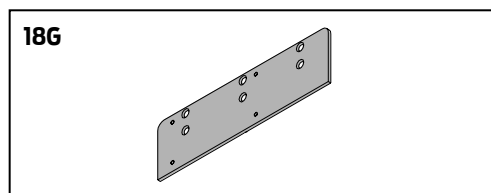
### PLATE, 4020-18

Required where head frame is less than 3-7/16" (87 mm).  
Plate requires minimum 1-3/4" (44 mm) minimum head frame and 2" (51 mm) top rail.  
3-7/8" (98 mm) maximum reveal.



### PLATE, 4020-18G

For flush ceiling condition.  
Plate requires minimum 1-3/4" (44 mm) minimum head frame and 2-3/4" (70 mm) top rail.

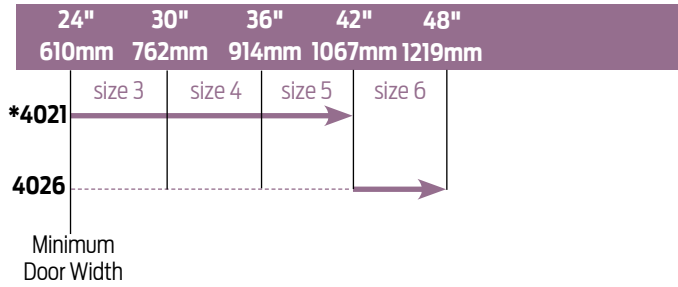


# 4020 SERIES

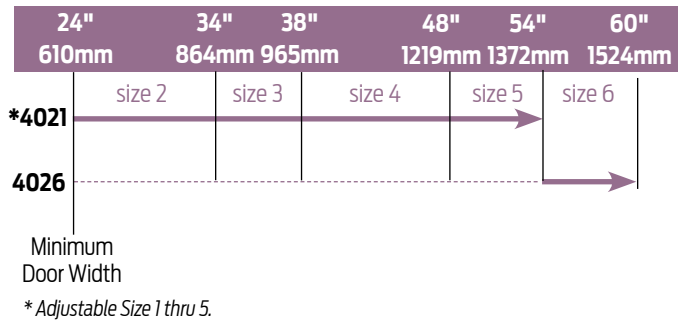
## TABLE OF SIZES

Select closer based on width of door.  
 The spring power of non-sized 4021 cylinder is adjustable from size 1 through size 5 and is shipped set to size 3.  
 Sized 4020 Series cylinders available in size 6.  
 Delayed action not available with 4026 cylinder.

### EXTERIOR (and VESTIBULE) DOOR WIDTH



### INTERIOR DOOR WIDTH



→ Indicates recommended range of door width for closer size.

## REDUCED OPENING FORCE 4020 CLOSERS

**CAUTION!** Any manual door closer, including those certified by BHMA to conform to ANSI Standard A156.4, that is selected, installed and adjusted based on ADA or other reduced opening force requirements may not provide sufficient power to reliably close and latch a door.

Refer to AUTOMATIC OPERATORS section for information on systems that meet reduced opening force requirements without effecting closing power.

	DOOR WIDTH	36"	42"	48"
	8.5* lbs.	4021	4021	4021
	5.0* lbs.	4021	4021	4021

\* Maximum opening force.

## HOW-TO-ORDER 4020 SERIES CLOSERS

- 1. SELECT CYLINDER SIZE**
  - 4021 (adjustable from size 1 to 5)
  - 4026 (DEL not available)
- 2. SPECIFY HAND**
  - RH
  - LH
- 3. SELECT FINISH**
  - Standard Powder Coat \_\_\_\_\_  
Aluminum, Dark Bronze, Statuary, Light Bronze, Black, Brass.

### Closer will be shipped with:

- STANDARD COVER,
- REGULAR ARM,
- SELF REAMING and TAPPING SCREWS, unless options listed below are selected.

## CLOSER OPTIONS

### CYLINDER

- Delayed Action ( DEL)

### COVER

- Metal (MC)

### ARM

- Hold-Open (H)
- Fusible Link, 165°F (FL)

### FINISH

- Custom Powder Coat (RAL) \_\_\_\_\_  
(handed metal cover required)
- Plated Finish, US \_\_\_\_\_  
(handed metal cover required)
- SRI primer (use with powder coat finishes only)

### SCREW PACK

- TB\* & SRT Screw (TBSRT)
- Wood & Machine Screw (WMS)
- TB\*, Wood & Machine Screw (TBWMS)
- TORX Machine Screw (TORX)
- TB\* & TORX Machine Screw (TBTRX)  
\* Specify door thickness if other than 1-3/4".

### INSTALLATION ACCESSORIES

- Plate, 4020-18
- Plate, 4020-18G

### SPECIAL TEMPLATE

- ST- \_\_\_\_\_

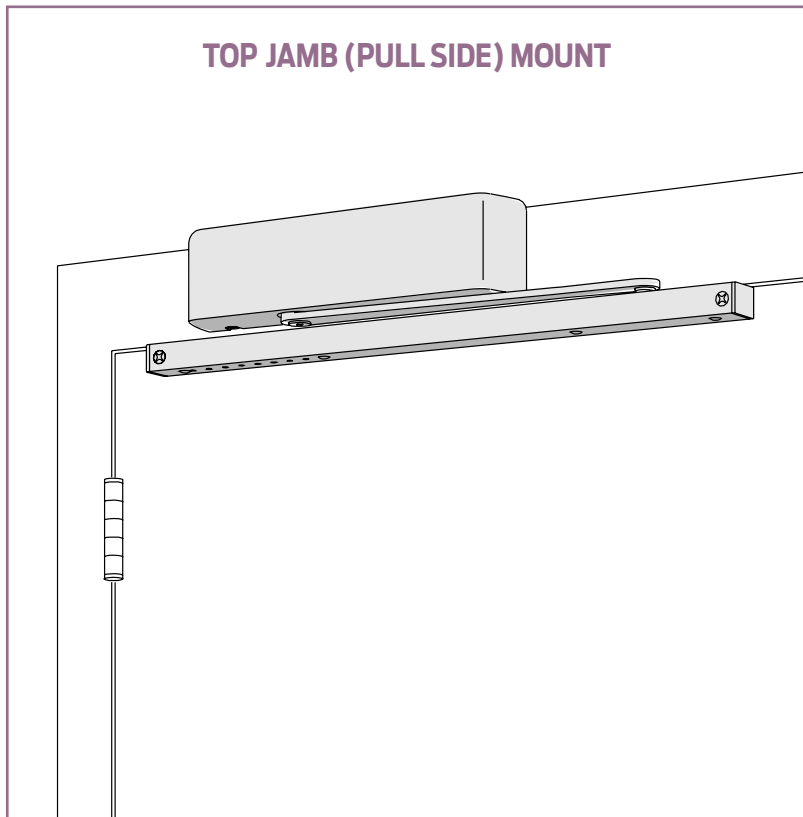


# 4020T SERIES

## FEATURES

The 4020T is LCN's best performing heavy duty track closer designed specifically for interior doors in institutional and other high traffic applications.

- Cast Iron
- Forged Steel Arm
- Double Heat Treated Steel Pinion
- All Weather Fluid
- UL & cUL Listed
- Peel-n-Stick Templates for Fast and Accurate Installations



- Standard 4020T Series closer is shipped with standard arm, standard track, track roller, standard plastic cover, and self reaming and tapping screws. See 4020T Series pages 19 & 20 for options.
- Sized cylinders for interior doors to 4'0".
- Closer mounts top jamb (pull side), specify right or left swinging door.
- Standard or optional custom powder coat finish.
- Optional plated finish on metal cover, arm and fasteners.
- Optional SRI primer for installations in corrosive conditions is available with powder coat only.
- The 4020T Series is UL and cUL listed with a standard track for self-closing doors.
- Tested and certified under ANSI Standard A156.4, grade one.

MOUNTING					FINISH		COVER		CYLINDER			**ARM FUNCTION									
HINGE (PULL SIDE)	TOP JAMB (PULL)	TOP JAMB (PUSH)	PARALLEL ARM	STOP FACE	POWDER COAT	PLATED	PLASTIC	METAL	NON-HANDED	NON-SIZED	ACCESSIBILITY	DELAYED ACTION	AVB***	REGULAR (DOUBLE)	STANDARD (SINGLE)	HOLD-OPEN	FUSIBLE LINK	EDA/HEDA	CUSH/HCUSH	SCUSH/SHCUSH	DOUBLE EGRESS
<input type="radio"/>	<input checked="" type="radio"/>	<input type="radio"/>	<input type="radio"/>	<input type="radio"/>	<input checked="" type="radio"/>	<input checked="" type="radio"/>	<input checked="" type="radio"/>	<input checked="" type="radio"/>	<input type="radio"/>	<input type="radio"/>	<input type="radio"/>	<input type="radio"/>	<input type="radio"/>	<input type="radio"/>	<input checked="" type="radio"/>	<input type="radio"/>	<input type="radio"/>	<input type="radio"/>	<input type="radio"/>	<input type="radio"/>	<input type="radio"/>

● AVAILABLE  
○ NOT AVAILABLE

Closer available with less than 5.0 lbs. opening force on 36" door.  
\*\* Maximum opening/hold-open point with standard template.  
\*\*\* Advanced Variable Backcheck.

# 4020T SERIES

## TOP JAMB (PULL SIDE) MOUNTING

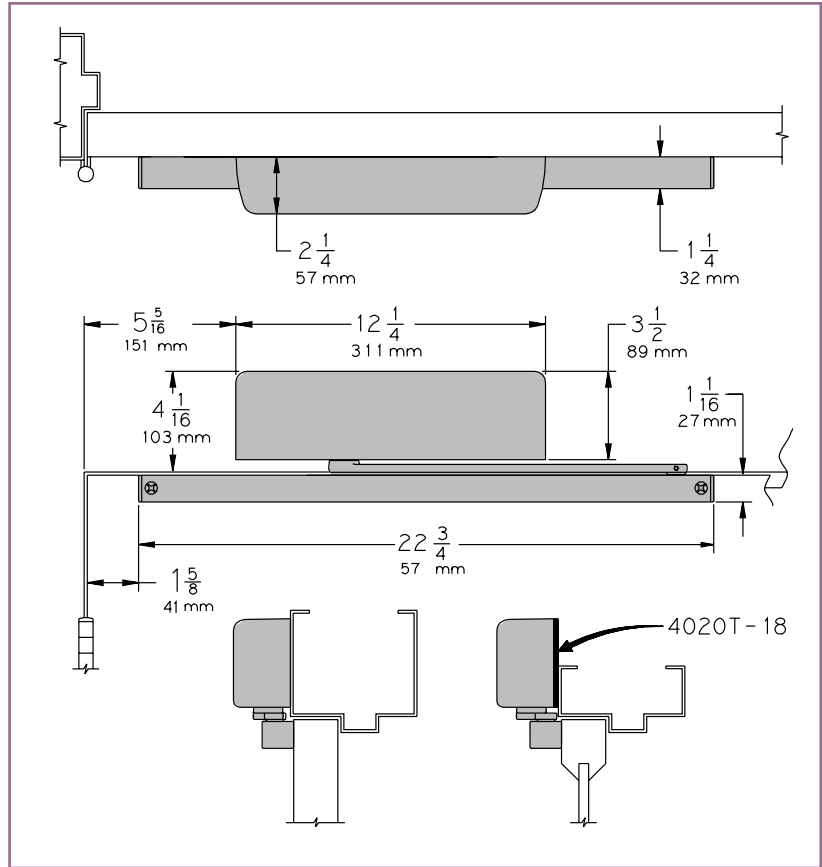
### MAXIMUM OPENING

Templating allows 180° with standard track arm, limited to 100° with optional bumper installed.

Consult factory if door will be held open at 180°.

Hold-open points at 80°, 85°, 90°, 95°, or 100° with hold-open tracks.

Please note that many track style door closers are capable of allowing 180° of door swing. Be aware that the majority of track style closers are at their weakest closing force in the 180° – 130° range. Consult factory for applications where door must swing 180°.



- **Butt Hinges** should not exceed 5" (127 mm) in width.
- **Auxiliary Stop** is recommended at hold-open point or where a door cannot swing 180°. Optional track bumper assembly assists backcheck in cushioning the opening swing of the door. It is not intended to replace an auxiliary stop.
- **Reveal** should not exceed 1/8" (3 mm).
- **Head Frame** less than 3-7/8" (98 mm), requires PLATE, 4020T-18. Plate requires 1-3/4" (44 mm) minimum.
- **Clearance** of 1-1/2" (38 mm) behind door required for 90° or 180° installation.

### Options

- Standard track with bumper, hold-open track, hold-open track with bumper.
- Metal cover.

### Special Templates

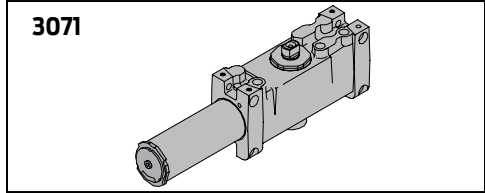
Customized installation templates or products may be available to solve unusual applications. Contact LCN Product Support for assistance.

# 4020T SERIES

## CYLINDERS

### CYLINDER, 4020T-3071

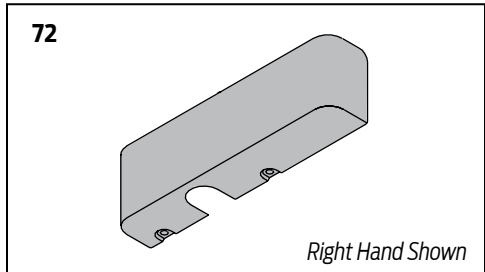
Standard, handed cast iron cylinder assembly.  
For various applications see "Table of Sizes" on 4020T Series page 21.



## COVERS

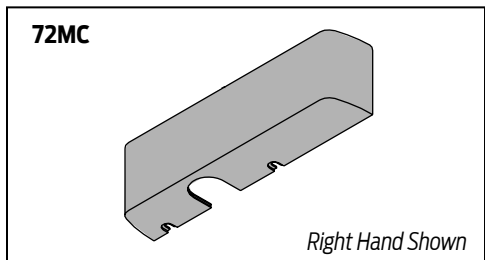
### COVER, 4020T-72

Standard, handed plastic cover.



### METAL COVER, 4020T-72MC

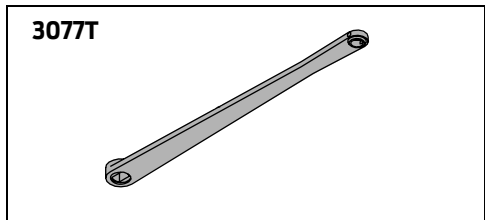
Optional, handed cover. Required for plated finishes and custom powder coat finishes.



## ARMS

### STANDARD ARM, 4020T-3077T

Handed arm. Roller not included with arm.



## TRACKS

### STANDARD TRACK, 4020T-3038

Standard, non hold-open, non-handed track.  
Will accept hold-open clip and/or bumper assembly.

### STANDARD TRACK with BUMPER, 4020T-3038B

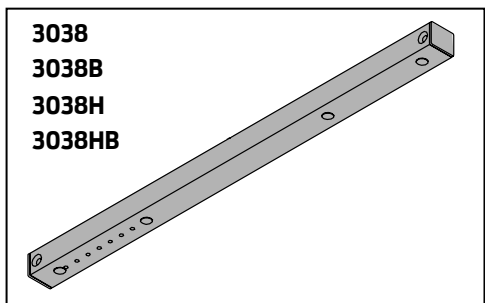
Optional non hold-open, non-handed track with bumper assembly installed. Will accept hold-open clip.

### HOLD-OPEN TRACK, 4020T-3038H

Optional, non-handed track with hold-open clip installed.  
Will accept bumper assembly.

### HOLD-OPEN TRACK with BUMPER, 4020T-3038HB

Optional, non-handed track with hold-open clip and bumper assembly installed.

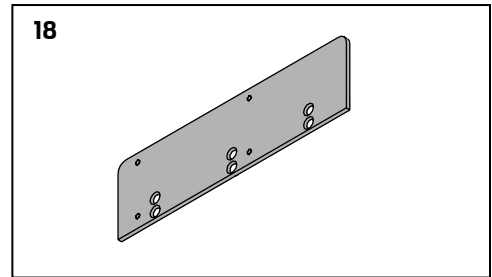


# 4020T SERIES

## INSTALLATION ACCESSORIES

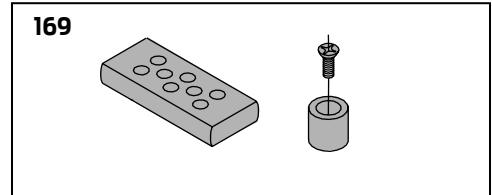
### PLATE, 4020T-18

Required where head frame is less than 3-7/8" (98 mm).  
Plate requires minimum 1-3/4" (44 mm) frame face.



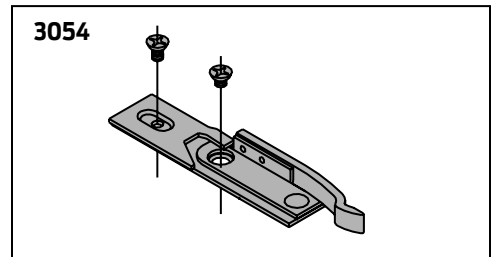
### TRACK BUMPER, 4020T-169

Mounts in track to assist backcheck, not replace auxiliary stop.  
Limits maximum opening. Consists of bumper, bumper post, and mounting screw.



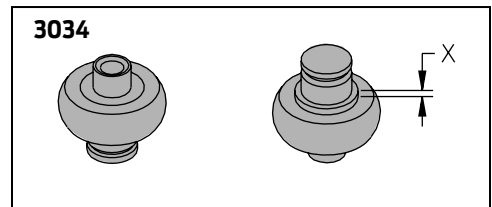
### HOLD-OPEN CLIP, 4020T-3054

Mounts in track to provide hold-open function.  
Hold-open point controlled by clip location.  
Consists of clip and mounting screws.



### TRACK ROLLER, 4020T-3034

Quiet, low friction roller assembly.  
Shoulder dimension "X" = 1/16" (2mm).



# 4020T SERIES

## TABLE OF SIZES

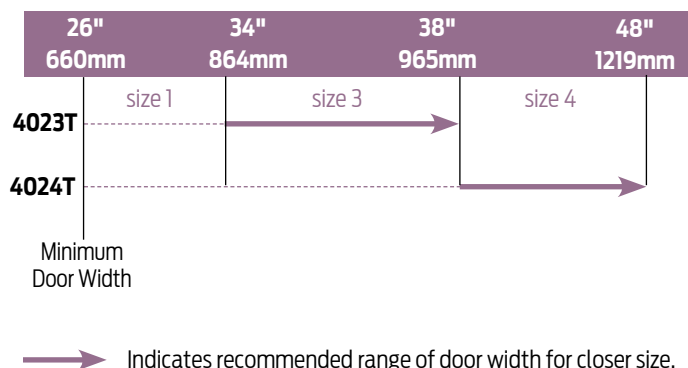
Select closer based on width of door.

4020T Series cylinders available in size 1, 3 or 4.

Closing power of all 4020T Series closers may be increased 15%.

Specify next higher size closer where strong drafts exist.

### INTERIOR DOOR WIDTH



## HOW-TO-ORDER 4020T SERIES CLOSERS

### 1. SELECT CYLINDER SIZE

- 4021T (ADA)
- 4023T
- 4024T

### 2. SPECIFY HAND

- RH
- LH

### 3. SPECIFY FINISH

- Standard Powder Coat \_\_\_\_\_  
Aluminum, Dark Bronze, Statuary,  
Light Bronze, Black, Brass.

#### Closer will be shipped with:

- STANDARD COVER,
- STANDARD ARM,
- TRACK ROLLER,
- STANDARD TRACK,
- SELF-REAMING and TAPPING SCREWS,  
*unless options listed below are selected.*

## CLOSER OPTIONS

### COVER

- Metal (MC)

#### FINISH

- Custom Powder Coat (RAL) \_\_\_\_\_  
(handed metal cover required)
- Plated Finish, US \_\_\_\_\_  
(handed metal cover required)
- SRI primer (use with powder coat finishes only)

### TRACK

- Standard with Bumper (BUMPER)
- Hold-Open (HO)
- Hold-Open with Bumper (HBUMPER)

### SCREW PACK

- TB\* & SRT Screw (TBSRT)
  - Wood & Machine Screw (WMS)
  - TB\*, Wood & Machine Screw (TBWMS)
  - TORX Machine Screw (TORX)
  - TB\* & TORX Machine Screw (TBTRX)
- \* Specify door thickness if other than 1-3/4".

### INSTALLATION ACCESSORY

- Plate, 4020T-18

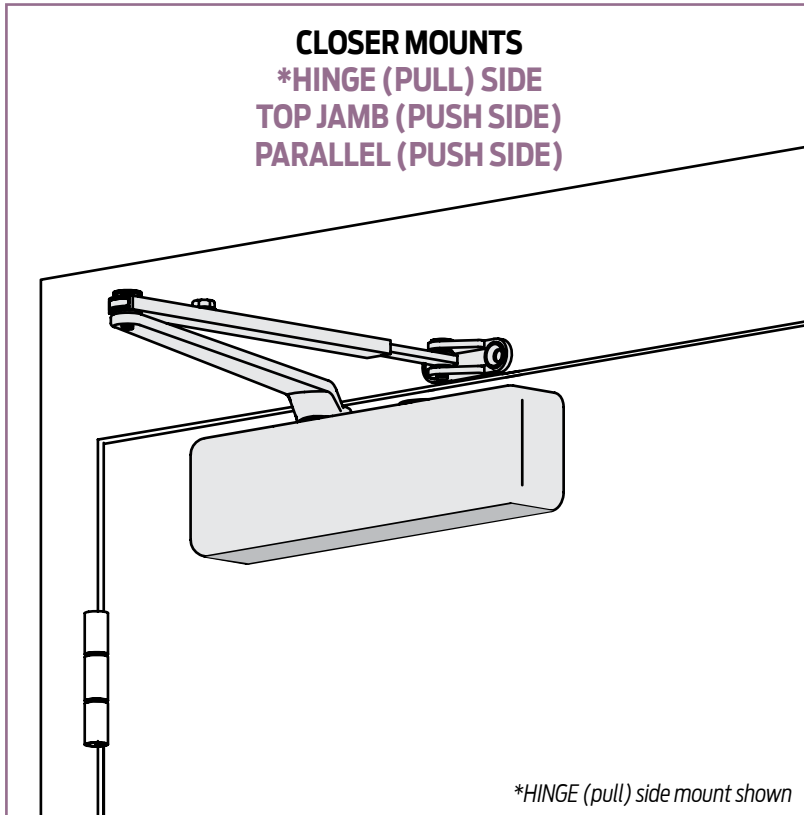
### SPECIAL TEMPLATE

- ST- \_\_\_\_\_



# 4030 SERIES

## FEATURES



The 4031 is a cast iron, universal closer designed specifically for doors in moderate traffic conditions. This versatile closer compliments the rest of the heavy duty 4000 Series and offers the choice of three mountings and multiple arm options.

- Cast Iron
- Forged Steel Main Arm
- Heat Treated Steel Pinion
- All Weather Fluid
- UL & cUL Listed

- Standard new 4030 Series closer is shipped with forged regular arm, metal cover and wood/self-tapping machine screw pack. See 4030 Series pages 28 & 29 for options.
- Non-sized (1-4) 4031 cylinder for exterior doors to 36" (914 mm) and interior doors to 48" (1219 mm).
- Closer mounts hinge side, top jamb, and parallel arm, on either right or left swinging doors.
- Closer meets ADA requirements. See 4030 Series page 30.
- Standard or optional custom powder coat finish.
- Optional plated finish on metal cover, arm and fasteners.
- Optional SRI primer for installations in corrosive conditions is available with powder coat only.
- The 4030 Series is UL and cUL listed for Self-closing doors without hold-open.
- Tested and certified under ANSI Standard A156.4, grade one.

MOUNTING					FINISH		COVER		CYLINDER			**ARM FUNCTION									
HINGE (PULL) SIDE	TOP JAMB (PULL)	TOP JAMB (PUSH)	PARALLEL ARM	STOP FACE	POWDER COAT	PLATED	PLASTIC	METAL	NON-HANDED	NON-SIZED	ACCESSIBILITY	DELAYED ACTION	AVB***	REGULAR (DOUBLE)	STANDARD (SINGLE)	HOLD-OPEN	FUSIBLE LINK	EDA/HEDA	CUSH/HCUSH	SCUSH/HCUSH	DOUBLE EGRESS
●	○	●	●	○	●	●	○	●	●	○	○	○	○	180°	○	180°	○	110°	100°	100°	○

● AVAILABLE  
○ NOT AVAILABLE

♿ Closer available with less than 5.0 lbs. opening force on 36" door.

\*\* Maximum opening/hold-open point with standard template. See individual closer series for degrees of opening per installation.

\*\*\* Advanced Variable Backcheck

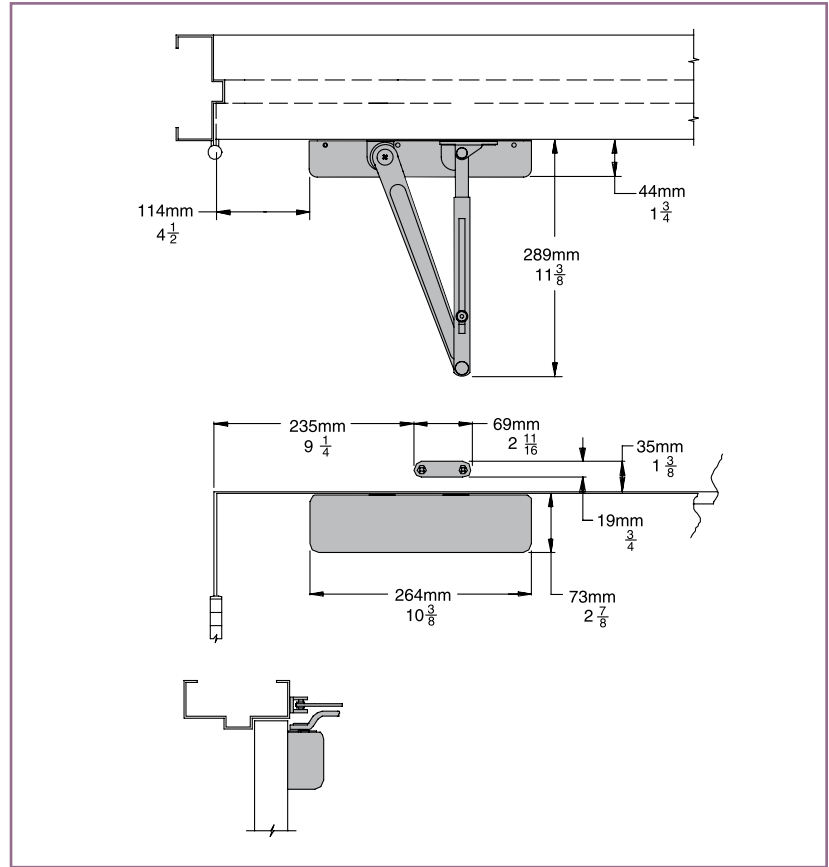
# 4030 SERIES

## HINGE (PULL) SIDE MOUNTING

### MAXIMUM OPENING

Can be templated for 180°.

Hold-open points up to maximum opening with hold-open arm.



- **Butt Hinges** should not exceed 5" (127 mm) in width.
- **Auxiliary Stop** is recommended at hold-open point or where a door cannot swing 180°.
- **Reveal** should not exceed 3/16" (5 mm) for regular arm or 3/16" (5 mm) for hold-open arm.
- **Top Rail** requires 2-7/8" (73 mm) minimum.
- **Clearance** of 1-3/4" (44 mm), behind door required for installation.

### Options

- Hold-open arm.

### Special Templates

Customized installation templates or products may be available to solve unusual applications. Contact LCN Product Support for assistance.



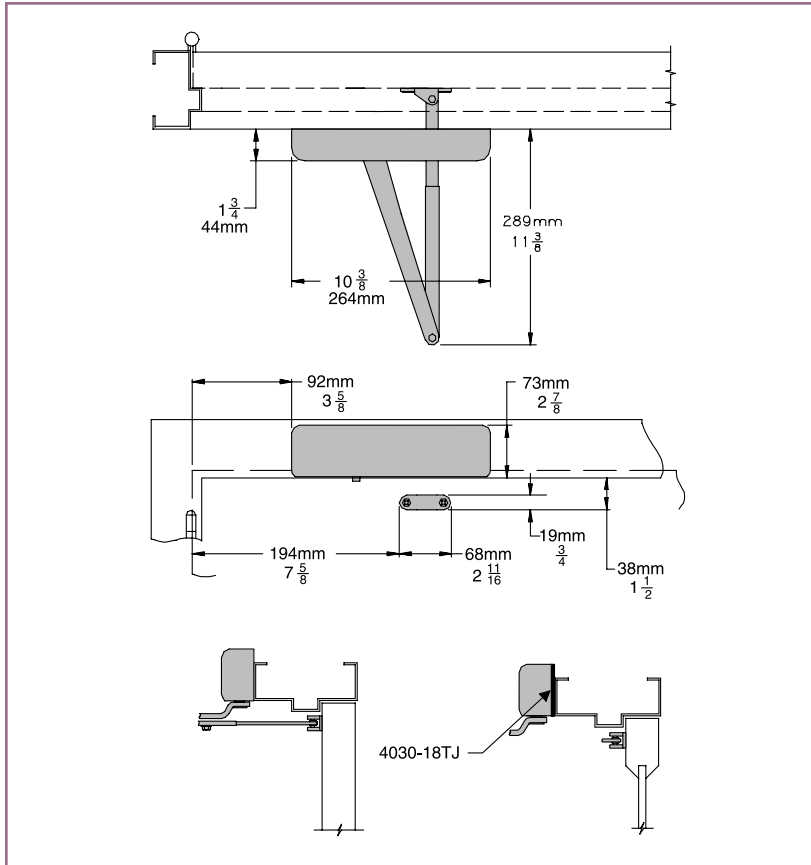
# 4030 SERIES

## TOP JAMB (PUSH SIDE) MOUNTING

### MAXIMUM OPENING

Can be templated for 180°.

Hold-open points up to maximum opening with hold-open arm.



- **Butt Hinges** should not exceed 5" (127 mm) in width.
- **Auxiliary Stop** is recommended at hold-open point or where the door cannot swing 180°.
- **Reveal** up to 3-1/2" (89 mm) allows 180° opening. Reveal up to 7-1/2" (191 mm) with long arm allows for 140° opening.
- **Top Rail** requires 1-1/2" (38 mm) minimum from stop.
- **Head Frame** less than 2-1/4" (57 mm) requires PLATE, 4030-18TJ. Plate requires 1-1/2" (38 mm) minimum.

### Options

- Hold-open arm.
- Long arm.
- Long Hold-open arm.

### Special Templates

Customized installation templates or products may be available to solve unusual applications. Contact LCN Product Support for assistance.

# 4030 SERIES

## PARALLEL ARM (PUSH SIDE) MOUNTING

REGULAR or HOLD-OPEN arm mounting requires PA SHOE, 4030-62PA for regular or HOLD-OPEN arms. Add prefix "P" to closer description (eg. P4031). P4031 closer includes 4030-201 FIFTH HOLE SPACER to support PA SHOE.

## MAXIMUM OPENING

REGULAR or HOLD-OPEN arms can be templated for 180°.

EDA template allows 110° maximum opening. Hold-open points up to maximum opening with hold-open arm.

- **Butt Hinges** should not exceed 5" (127 mm) in width.
- **Auxiliary Stop** is recommended at hold-open point or where a door cannot swing maximum opening.
- **Clearance** for 4030-62PA shoe is 4" (102 mm) from door face. EDA arm is 5-1/2" (140 mm) from door face.
- **Top Rail** less than 5" (127 mm) measured from the stop requires PLATE, 4030-18PA. Plate requires 1-3/4" (44 mm) minimum.
- **Stop Width** minimum 1" (25 mm).
- **Head Frame** flush or single rabbeted requires PA SHOE ADAPTER, 4030-419.
- **Blade Stop** clearance, requires 1/2" (13 mm) BLADE STOP SPACER, 4030-61.
- **Auxiliary Shoe** 4030-62A allows installation of regular arm with overhead holder/stop. Special templating required.
- **EDA Arm** requires SHOE SUPPORT, 4030-30 for fifth screw anchorage where reveal is less than 3-1/16" (78 mm).

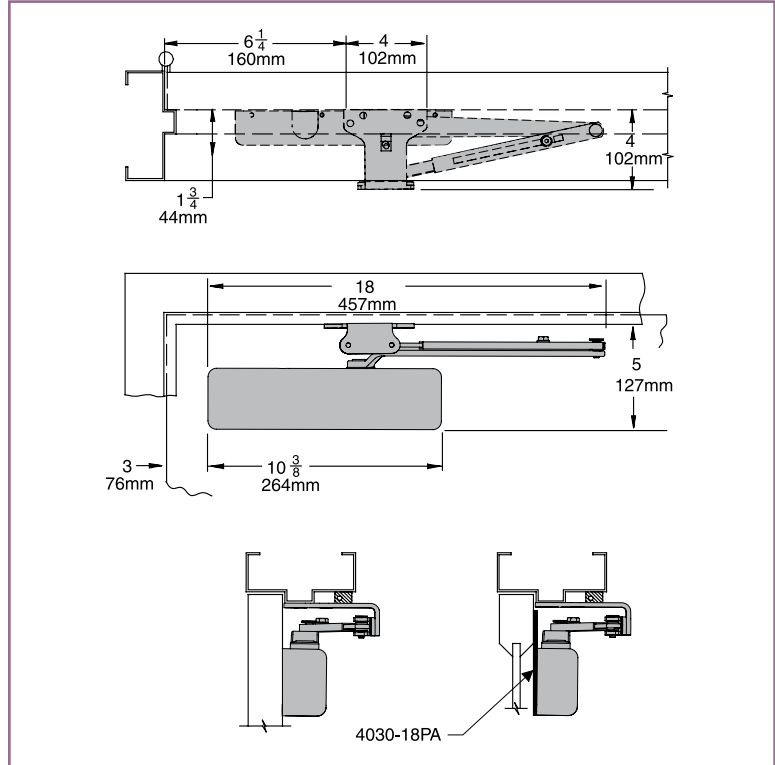
### Options

- Hold-open, EDA, HEDA, CUSH, HCUSH, arm.

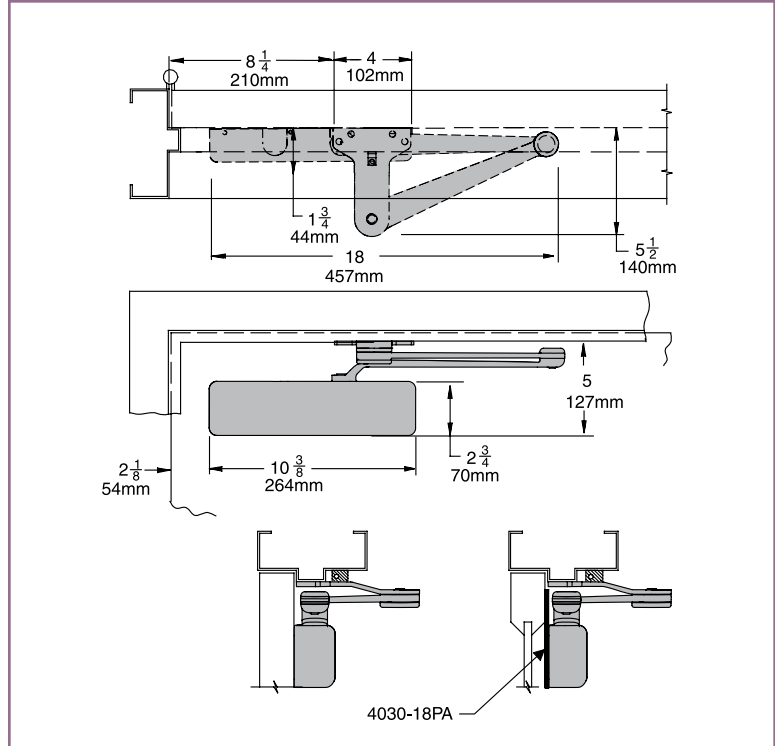
### Special Templates

Customized installation templates or products may be available to solve unusual applications. Contact LCN Product Support for assistance.

## 4030 PARALLEL ARM MOUNT



## 4030 EDA MOUNT

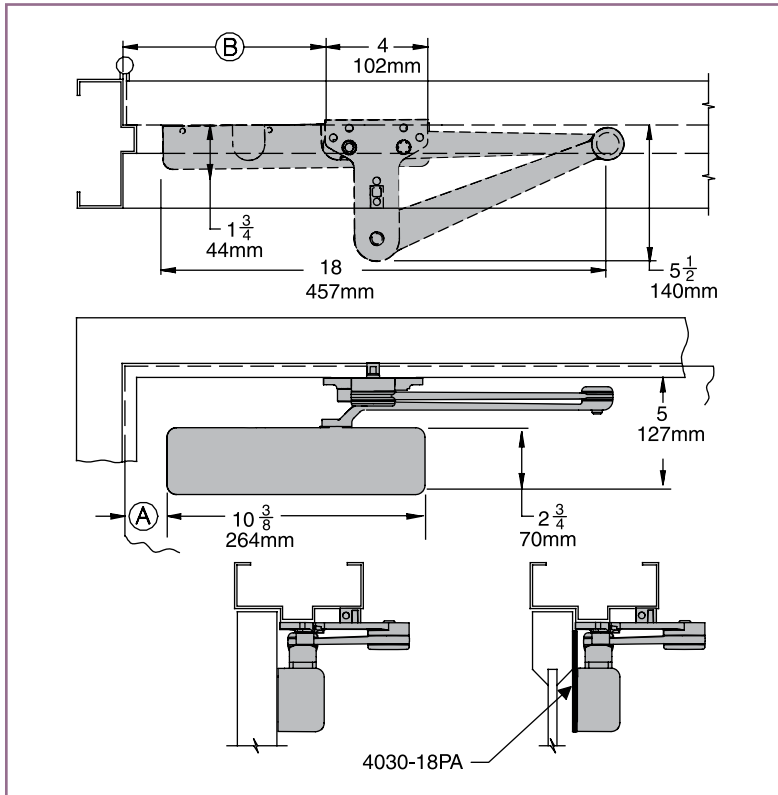


**4030 closers ordered with EDA arms include 4030-201 FIFTH HOLE SPACER to support the shoe.**

# 4030 SERIES

MOUNTING DETAILS

## 4030 CUSH MOUNT



## CUSH-N-STOP OR SPRING CUSH MOUNTING

4031 closers ordered with CUSH or SPRING CUSH arms include 4030-201 FIFTH HOLE SPACER to support the shoe.

## MAXIMUM OPENING

CUSH and SPRING CUSH arms can be templated for maximum opening/hold-open point at 85°,

Ⓐ = 3-5/8" (92 mm)

Ⓑ = 9-3/4" (248 mm)

90°,

Ⓐ = 3" (76 mm)

Ⓑ = 9-1/8" (232 mm)

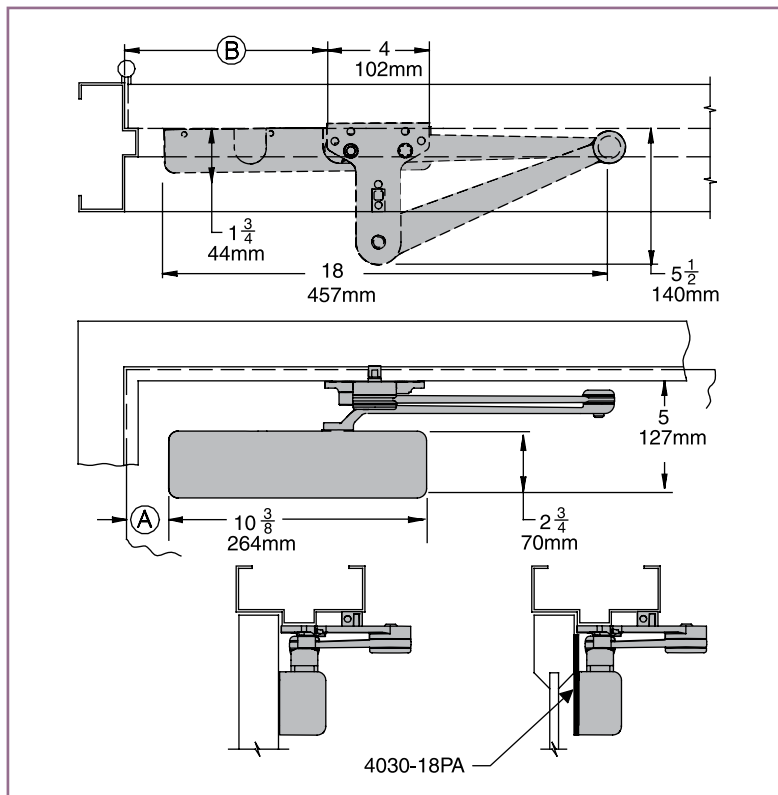
or 100°\*.

Ⓐ = 1-7/8" (48 mm)

Ⓑ = 8" (203 mm)

\*100° mounting will not work with swing clear hinges.

## 4030 SPRING CUSH MOUNT



Spring Cush hold-open points are approximately 5° less than templated stop point.

**Clearance** for CUSH or SPRING CUSH shoe is 5-1/2" (140 mm) from door face.

**Head Frame** flush or rabbeted requires CUSH FLUSH PANEL ADAPTER, 4030-419.

**CUSH or SPRING CUSH ARM** requires SHOE SUPPORT, 4030-30 for fifth screw anchorage where reveal is less than 3-1/16" (78 mm).

# 4030 SERIES

## CYLINDERS

### CYLINDER, 4031-3071

Standard, non-handed cast iron cylinder assembly.

## ARMS

### REGULAR ARM, 4030-3077

Non-handed arm mounts hinge side or top jamb. P4031 closer includes PA SHOE, 4030-62PA is required for parallel arm mounting.

### LIGHT DUTY ARM, 4030-3077LD

Optional non-handed stamped arm mounts hinge side, top jamb or parallel arm (62PA required).

### PA SHOE, 4030-62PA

Required for parallel arm mounting.

### LONG ARM, 4030-3077L

Optional non-handed arm includes LONG ROD AND SHOE, 4030-79LR for top jamb mount with deep reveals.

### HOLD-OPEN ARM, 4030-3049

Optional, non-handed arm mounts hinge side, top jamb or parallel arm (62PA required). Hold-open adjustable at shoe.

### LONG HOLD-OPEN ARM, 4030-3049L

Optional non-handed arm includes LONG HEAD AND TUBE, 4030-3048L for top jamb mount with deep reveals.

### EXTRA DUTY ARM, 4030-3077EDA

Optional, non-handed parallel arm features solid forged steel main and forearm for potentially abusive installations.

### HOLD-OPEN EDA ARM, 4030-3049EDA

Optional handed arm, provides hold-open function adjustable at shoe.

### CUSH-N-STOP® ARM, 4030-3077CNS

Optional, non-handed parallel arm features solid forged steel main arm and forearm with stop in soffit shoe.

### HOLD-OPEN CUSH ARM, 4030-3049CNS

Optional non-handed arm, provides hold-open function with templated stop/hold-open points. Handle controls hold-open function.

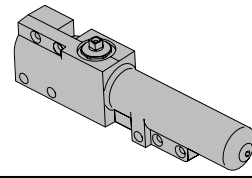
### SPRING CUSH ARM, 4030-3077SCNS

Optional, non-handed parallel arm for abusive applications features solid forged steel main arm and forearm with spring loaded stop in the soffit shoe.

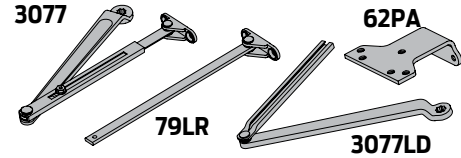
### SPRING HCUSH ARM, 4030-3049SCNS

Optional, non-handed parallel arm for abusive applications features solid forged steel main arm and forearm with spring loaded stop in the soffit shoe. Handle controls hold-open function.

3071



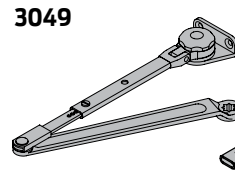
3077



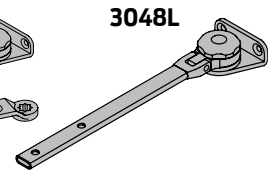
62PA

3077LD

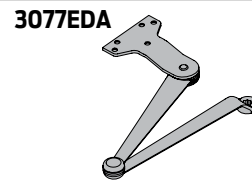
3049



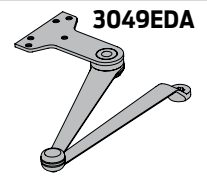
3048L



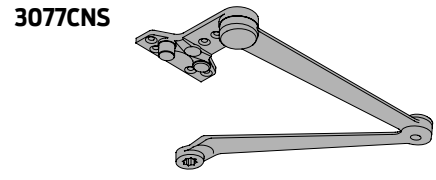
3077EDA



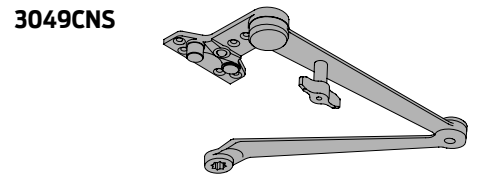
3049EDA



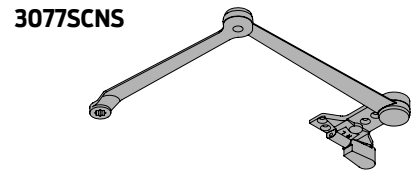
3077CNS



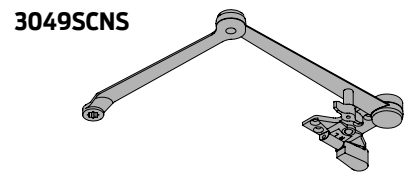
3049CNS



3077SCNS



3049SCNS

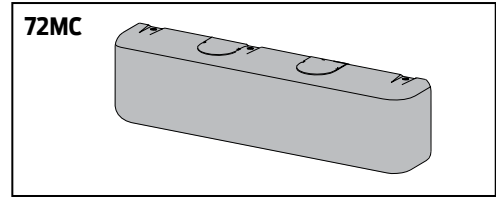


# 4030 SERIES

## COVERS

### COVER, 4030-72MC

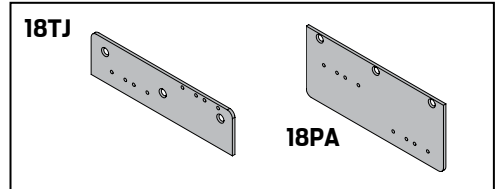
Non-handed metal cover.



## INSTALLATION ACCESSORIES

### PLATE, 4030-18TJ

Required for top jamb mounting where head frame is less than 2-1/4" (57 mm) or flush ceiling condition exists. Plate requires 1-1/2" (38 mm) minimum.

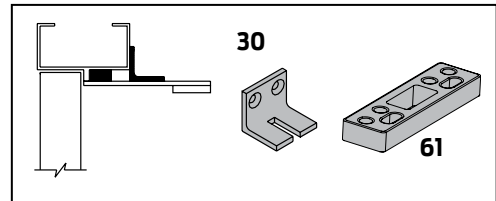


### PLATE, 4030-18PA

Required for parallel arm mounting where top rail is less than 5" (127 mm), measured from the stop. Plate requires 1-3/4" (44 mm) minimum.

### CUSH SHOE SUPPORT, 4030-30

Provide anchorage for fifth screw used with CUSH arms where reveal is less than 3-1/16" (78 mm).

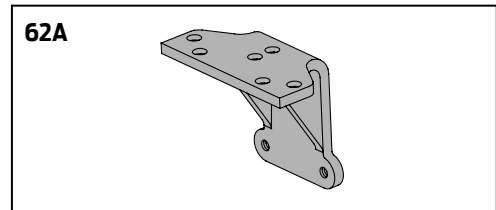


### BLADE STOP SPACER, 4030-61

Lowers parallel arm shoe to clear 1/2" (13 mm) blade stop.

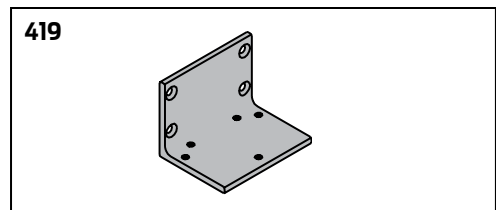
### AUXILIARY SHOE, 4030-62A requires a top rail of 7" (178 mm).

Optional shoe replaces -62PA for parallel arm mounting of regular arm with some overhead holder/stop. Consult factory.



### PA FLUSH PANEL ADAPTER, 4030-419

Provides horizontal mounting surface for PA or CUSH shoe on single rabbeted or flush frame.

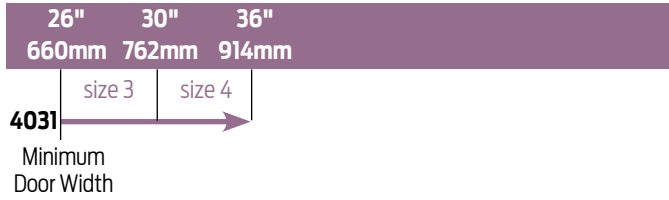


# 4030 SERIES

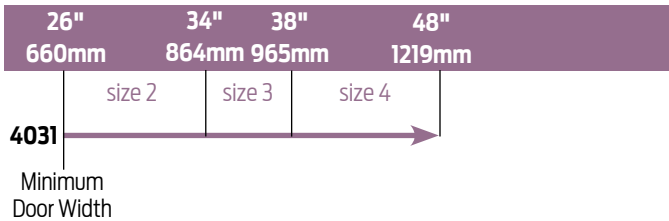
## TABLE OF SIZES

Non-sized 4031 cylinder is adjustable from sizes 1 to 4 and is shipped set to size 3.

### EXTERIOR (and VESTIBULE) DOOR WIDTH



### INTERIOR DOOR WIDTH




→ Indicates recommended range of door width for closer size.

## REDUCED OPENING FORCE 4030 CLOSERS

**CAUTION!** Any manual door closer, including those certified by BHMA to conform to ANSI Standard A156.4, that is selected, installed and adjusted based on ADA or other reduced opening force requirements may not provide sufficient power to reliably close and latch a door.

Refer to AUTOMATIC OPERATORS section for information on systems that meet reduced opening force requirements without effecting closing power.

	DOOR WIDTH	36"	42"	48"
	8.5* lbs.	4031	4031	4031
	5.0* lbs.	4031	4031	4031

\* Maximum opening force.

## HOW-TO-ORDER 4030 SERIES CLOSERS

### 1. SELECT FINISH

- Standard Powder Coat \_\_\_\_\_  
Aluminum, Dark Bronze, Statuary,  
Light Bronze, Black, Brass.

### Closer will be shipped with:

- STANDARD CYLINDER,
  - STANDARD METAL COVER,
  - REGULAR ARM,
  - WOOD and SELF-TAPPING MACHINE SCREW PACK
- unless options listed below are selected.*

## CLOSER OPTIONS

### FINISH

- Custom Powder Coat (RAL) \_\_\_\_\_
- Plated Finish, US \_\_\_\_\_
- SRI primer (use with powder coat finishes only)

### ARM

- Regular w/62PA (Rw/PA)
- Regular w/62A (R/62A)
- Long (LONG)
- Hold-Open (H)
- Hold-Open w/62PA (Hw/PA)
- Long Hold-Open (HLONG)
- Light Duty (LD)
- Light Duty w/62A (LD/62A)
- Light Duty w/62PA (LD/PA)
- Light Duty Long (LDL)
- EDA
- HEDA (specify right or left hand)
- Cush-N-Stop (CUSH)
- HCush-N-Stop (HCUSH)
- Spring Cush (SCUSH)
- Spring HCush (SHCUSH)

### OPTIONAL SCREW PACKS

- TB\*, Wood & Machine Screw (TBWMS)  
*\* Specify door thickness if other than 1-3/4".*

### INSTALLATION ACCESSORIES

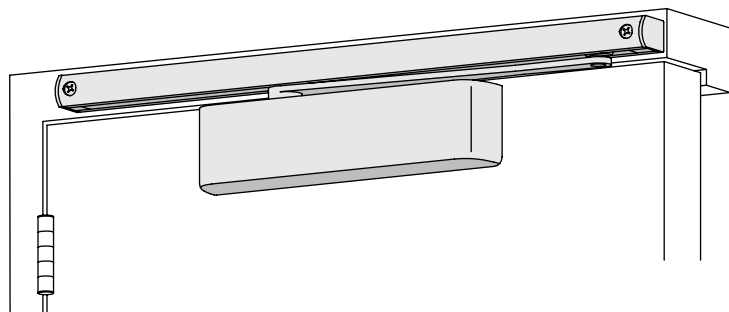
- Plate, 4030-18TJ
- Plate, 4030-18PA
- CUSH Shoe Support, 4030-30
- Blade Stop Spacer, 4030-61
- Auxiliary Shoe, 4030-62A
- PA Flush Panel Adapter, 4030-419

### SPECIAL TEMPLATE

- ST- \_\_\_\_\_

# 4030T SERIES

**CLOSER MOUNTS**  
**\*HINGE (PULL) SIDE**  
**TOP JAMB (PULL SIDE)**  
**STOP FACE (PUSH SIDE)**



\*HINGE (pull) side mount shown

The 4031T is a single lever (track) arm, surface mounted closer designed for interior use on narrow head frames and top rails. The choice of three mountings and ease of installation offer a versatile solution to door control in moderate traffic applications. The 4030T compliments the heavy duty 4000 Series.

- Cast Iron
- Heat Treated Steel Pinion
- All Weather Fluid
- UL & cUL Listed

- Standard 4031T Series closer is shipped with a standard arm, metal cover, a standard track and wood/self-tapping machine screw pack. See 4030T Series page 35 for options.
- Non-sized 4031T cylinder for interior doors to 38" (965 mm).
- Closer mounts pull side on door, pull side on frame and push side on door, on either right or left swinging doors.
- Standard or optional custom powder coat finish.
- Optional plated finish on metal cover, arm and fasteners.
- Optional SRI primer for installations in corrosive conditions is available with powder coat only.
- The 4030 Series is UL and cUL listed for Self-closing doors without hold-open.
- Tested and certified under ANSI Standard A156.4, grade one.

MOUNTING					FINISH		COVER		CYLINDER			** ARM FUNCTION										
HINGE (PULL) SIDE	TOP JAMB (PULL)	TOP JAMB (PUSH)	PARALLEL ARM	STOP FACE	POWDER COAT	PLATED	PLASTIC	METAL	NON-HANDED	NON-SIZED	ACCESSIBILITY	DELAYED ACTION	A/VB***	REGULAR (DOUBLE)	STANDARD (SINGLE)	HOLD-OPEN	FUSIBLE LINK	EDA/HEDA	CUSH/H/CUSH	SCUSH/SHCUSH	DOUBLE EGRESS	
●	●	○	○	●	●	○	○	●	●	♿	○	○	○	○	○	○	○	○	○	○	○	○

● AVAILABLE  
 ○ NOT AVAILABLE

♿ Closer available with less than 5.0 lbs. opening force on 36" door.  
 \*\* Maximum opening/hold-open point with standard template. See individual closer series for degrees of opening per installation.  
 \*\*\* Advanced Variable Backcheck.

# 4030T SERIES

## HINGE (PULL) SIDE MOUNTING

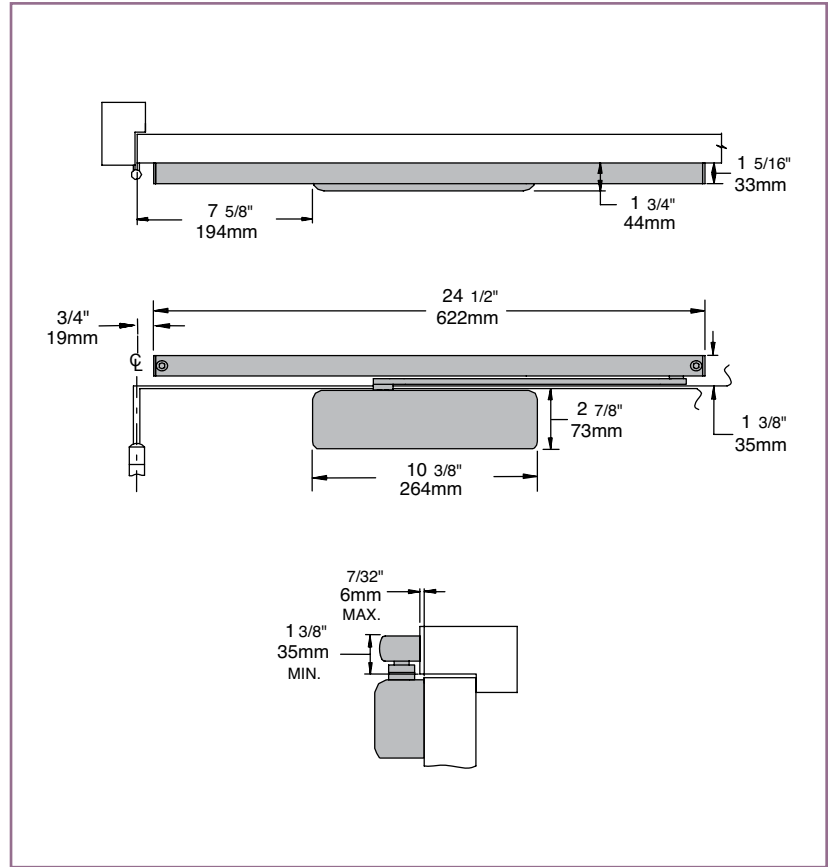
### MAXIMUM OPENING

Can be templated for 180°.

Consult factory if door will be held open at 180°.

Hold-open points up to Maximum opening point with hold-open option.

Please note many track style door closers are capable of allowing 180° of door swing. Be aware the majority of track style closers are at their weakest closing force in the 180°-130° range- consult factory for applications where door must swing 180°.



- **Butt Hinges** should not exceed 5" (127 mm) in width.
- **Auxiliary Stop** is recommended at hold-open point or where a door cannot swing 180°.
- **Reveal** should not exceed 7/32" (6 mm).
- **Top Rail** requires 2-7/8" (73 mm) minimum.
- **Clearance** of 1-3/4" (44 mm) behind door required for installation.

### Options

- Hold-open track.

### Special Templates

Customized installation templates or products may be available to solve unusual applications. Contact LCN Product Support for assistance.



# 4030T SERIES

## TOP JAMB (PULL SIDE) MOUNTING

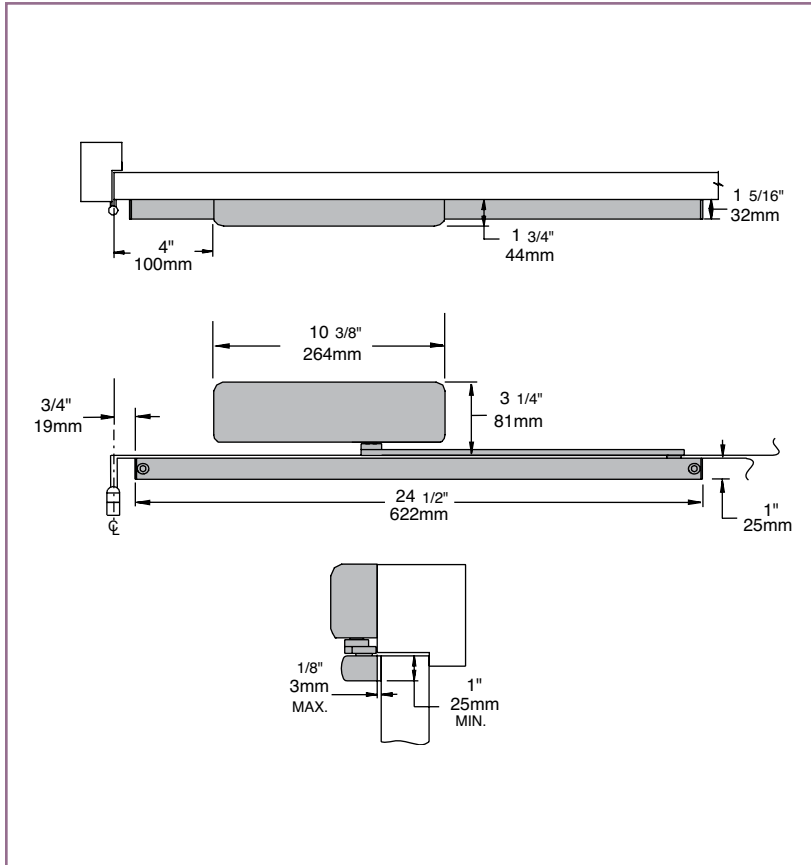
### MAXIMUM OPENING

Can be templated for 180°.

Consult factory if door will be held open at 180°.

Hold-open points up to maximum opening with hold-open option.

Please note many track style door closers are capable of allowing 180° of door swing. Be aware the majority of track style closers are at their weakest closing force in the 180°-130° range-consult factory for applications where an exterior or large/heavy door must swing 180°.



- **Butt Hinges** should not exceed 5" (127 mm) in width.
- **Auxiliary Stop** is recommended at hold-open point or where the door cannot swing 180°.
- **Reveal** should not exceed 1/8" (3 mm).
- **Top Rail** requires 1" (25 mm) minimum.
- **Head Frame** requires 2-7/8" (73 mm) minimum.

### Options

- Hold-open track.

### Special Templates

Customized installation templates or products may be available to solve unusual applications. Contact LCN Product Support for assistance.

# 4030T SERIES

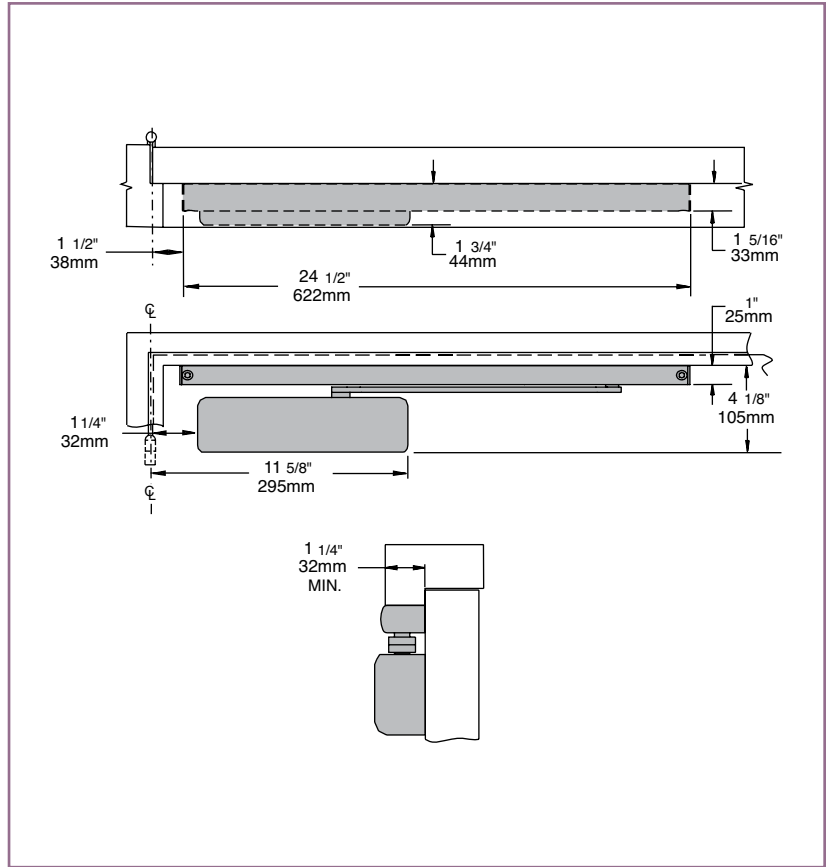
## STOP FACE (PUSH SIDE) MOUNTING

### MAXIMUM OPENING

Can be templated for 110°.

Hold-open points up to maximum opening with hold-open option.

Please note that many track style door closers are capable of allowing 180° of door swing. Be aware that the majority of track style closers are at their weakest closing force in the 180° – 130° range. Consult factory for applications where door must swing 180°.



- **Butt Hinges** should not exceed 5" (127 mm) in width.
- **Auxiliary Stop** is recommended at hold-open point or where the door cannot swing 110°.
- **Reveal** should not exceed 1-3/4" (44 mm).
- **Top Rail** requires 4-1/8" (105 mm) minimum measured from the stop.
- **Head Frame** minimum 1-1/4" (32 mm).

### Options

- Hold-open track.

### Special Templates

Customized installation templates or products may be available to solve unusual applications. Contact LCN Product Support for assistance.

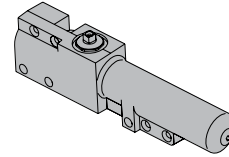
# 4030T SERIES

## CYLINDERS

### CYLINDER, 4031T-3071

Standard, non-handed cast iron cylinder assembly.

3071

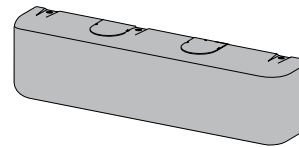


## COVERS

### COVER, 4030T-72MC

Non-handed metal cover.

72MC

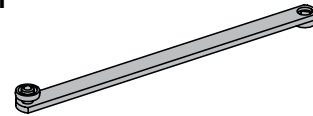


## ARMS

### STANDARD ARM, 4030T-3077T

Non-handed single lever arm mounts hinge side, top jamb or stop face. Track roller included with arm.

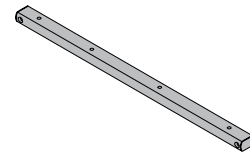
3077T



### STANDARD TRACK, 4030T-3038

Standard, non hold-open, non-handed track mounts on either side of the door. Will accept hold-open clip.

3038  
3038H



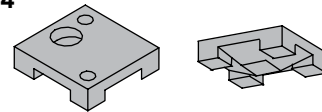
### HOLD-OPEN TRACK, 4030T-3038H

Optional non-handed hold-open track mounts on either side of the door. Comes with 4030T-3054 Hold-open clip.

### HOLD-OPEN CLIP, 4030T-3054

Mounts in track to provide hold-open function. Hold-open point controlled by clip location.

3054

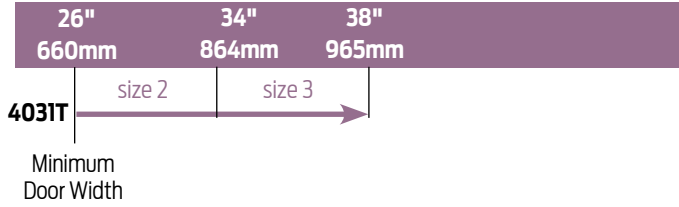


# 4030T SERIES

## TABLE OF SIZES

Non-sized 4031T cylinder is adjustable from sizes 1 to 3 and is shipped set to size 3.

### INTERIOR DOOR WIDTH



→ Indicates recommended range of door width for closer size.

## REDUCED OPENING FORCE 4030T CLOSERS

**CAUTION!** Any manual door closer, including those certified by BHMA to conform to ANSI Standard A156.4, that is selected, installed and adjusted based on ADA or other reduced opening force requirements may not provide sufficient power to reliably close and latch a door.

Refer to AUTOMATIC OPERATORS section for information on systems that meet reduced opening force requirements without effecting closing power.

	DOOR WIDTH	36"	42"	48"
	8.5* lbs.	N/A	N/A	N/A
	5.0* lbs.	4031T	4031T	4031T

\* Maximum opening force.

## HOW-TO-ORDER 4030T SERIES CLOSERS

### 1. SELECT FINISH

- Standard Powder Coat \_\_\_\_\_  
Aluminum, Dark Bronze, Statuary, Light Bronze, Black, Brass.

### Closer will be shipped with:

- STANDARD CYLINDER,
  - STANDARD METAL COVER,
  - STANDARD TRACK,
  - STANDARD ARM,
  - TRACK ROLLER,
  - WOOD and SELF-TAPPING MACHINE SCREW PACK
- unless options listed below are selected.*

## CLOSER OPTIONS

### TRACK

- Hold-open (H)

### FINISH

- Custom Powder Coat (RAL) \_\_\_\_\_
- Plated Finish, US \_\_\_\_\_
- SRI primer (use with powder coat finishes only)

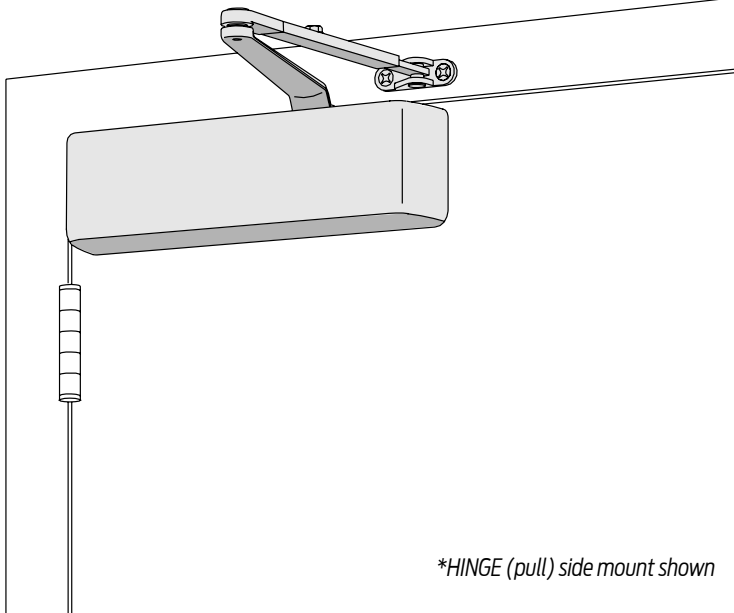
### SCREW PACK

- TB\*; Wood & Machine Screws (TBWMS)

# 4040XP SERIES

FEATURES

**CLOSER MOUNTS**  
**\*HINGE (PULL) SIDE**  
**TOP JAMB (PUSH SIDE)**  
**PARALLEL ARM (PUSH SIDE)**



\*HINGE (pull) side mount shown

The 4040XP is LCN's most durable and flexible heavy duty closer designed for institutional and other demanding high traffic applications.

- Cast Iron
- Forged Steel Arm
- Double Heat Treated Steel Pinion
- All Weather Fluid
- Non-Handed
- LCN Patented Green Dial
- Peel-n-Stick Templates for Fast and Accurate Installation
- UL & cUL Listed
- 3/4" Journal Diameter Pinion
- Full Compliment Bearing

- Standard 4040XP Series closer shipped with regular arm, standard plastic cover, and self reaming and tapping screws.
- Non-sized cylinder is adjustable for interior doors to 5'0" and exterior doors to 4'0".
- Closer mounts hinge side, top jamb, and parallel arm on either right or left swinging doors.
- Closers to meet ADA requirements.
- Standard or optional custom powder coat finish.
- Optional plated finish on cover, arm, and fasteners.
- Optional SRI primer for installations in corrosive conditions. (Available with powder coat finishes only.)
- UL and cUL listed for self-closing doors without hold-open.
- Tested and certified under ANSI Standard A156.4, grade one.



MOUNTING					FINISH		COVER		CYLINDER			*ARM FUNCTION									
HINGE (PULL) SIDE	TOP JAMB (PULL)	TOP JAMB (PUSH)	PARALLEL ARM	STOP FACE	POWDER COAT	PLATED	PLASTIC	METAL	NON-HANDED	NON-SIZED	ACCESSIBILITY	DELAYED ACTION	AVB**	REGULAR (DOUBLE)	STANDARD (SINGLE)	HOLD-OPEN	FUSIBLE LINK	EDA/MEDA	CUSH/HCUSH	SCUSH/SHCUSH	DOUBLE EGRESS
●	○	●	●	○	●	●	●	●	●	○	○	○	○	180°	○	180°	○	180°	110°	110°	○

● AVAILABLE  
 ○ NOT AVAILABLE

♿ Closer available with less than 5.0 lbs. opening force on 36" door.  
 \*\* Maximum opening/hold-open point with standard template.  
 \*\*\* Advanced Variable Backcheck.  
 \*\*\*\* Delayed Action Closer incorporates standard 4041 Delay Cylinder.

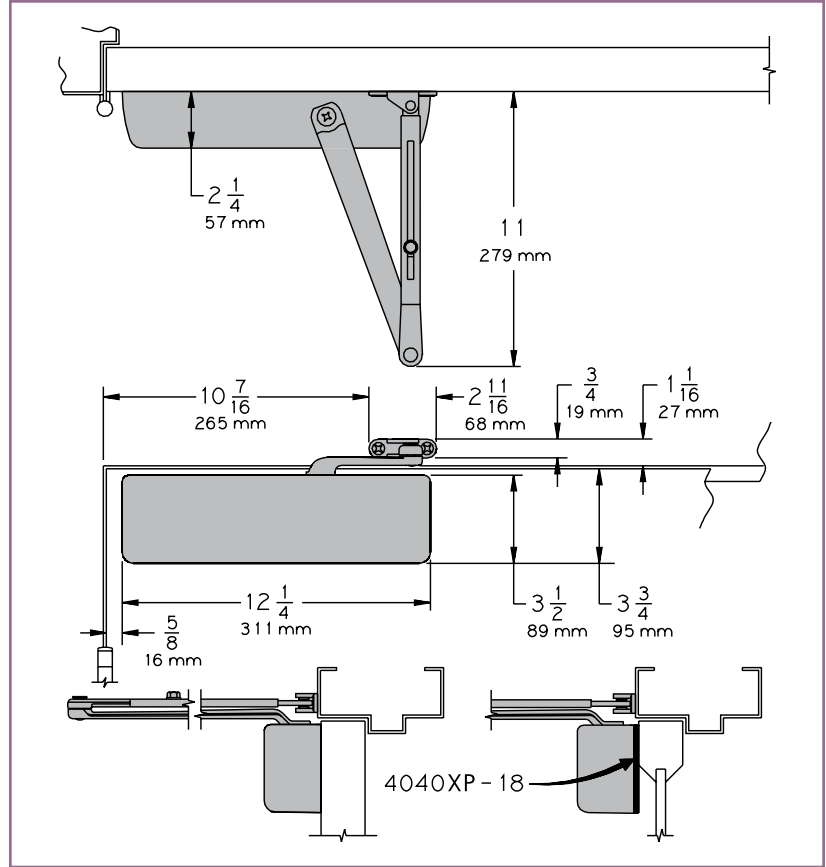
# 4040XP SERIES

## HINGE (PULL) SIDE MOUNTING

### MAXIMUM OPENING

Templating allows up to 120°.

Hold-open points 90° up to 120° with hold-open arm.



- **Butt Hinges** should not exceed 5" (127 mm) in width.
- **Auxiliary Stop** is recommended at hold-open point or where a door cannot swing beyond 120°.
- **Reveal** should not exceed 3/4" (19 mm) for regular arm or hold-open arm.
- **Top Rail** less than 3-3/4" (95 mm) requires PLATE, 4040XP-18. Plate requires 2" (51 mm) minimum.
- **Clearance** of 2-3/8" (60 mm) behind door required for 90° installation.
- **\*Delayed Action** incorporates standard 4041 cylinder, without XP cylinder. Delays closing from 120° to 70°. Delay time adjustable up to approximately 1 minute.

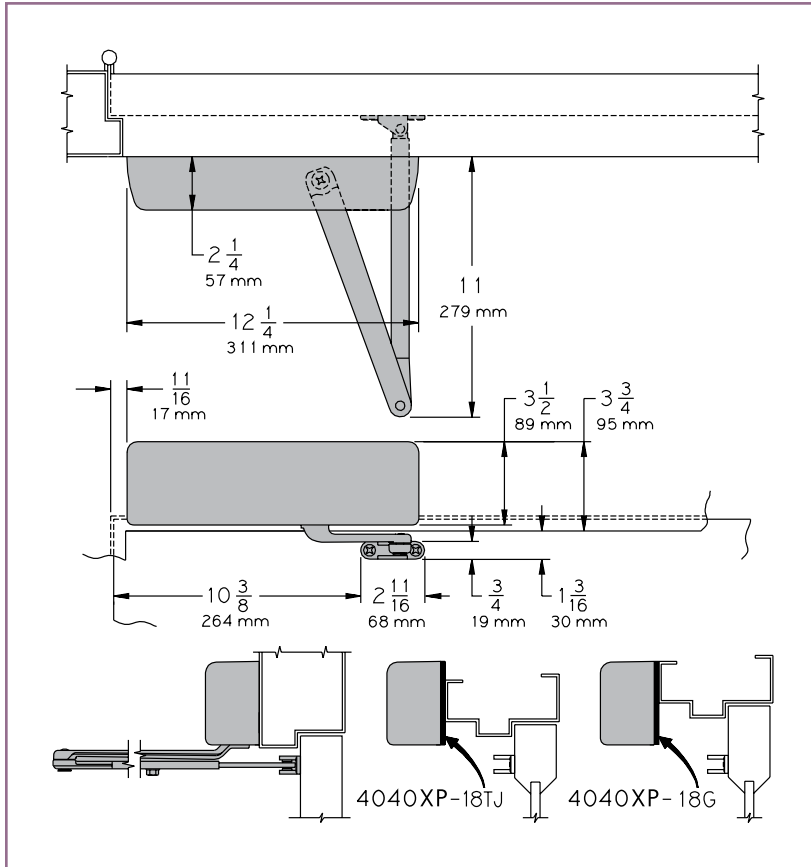
### Options

- 4041 Delayed action cylinder\*.
- Hold-open arm.
- Metal cover.

### Special Templates

Customized installation templates or products may be available to solve unusual applications. Contact LCN Product Support for assistance.

# 4040XP SERIES



## TOP JAMB (PUSH SIDE) MOUNTING

### MAXIMUM OPENING

Templating allows up to 120°.

Hold-open points 85° up to 120° with hold-open arm.

- **Butt Hinges** should not exceed 5" (127 mm) in width.
- **Auxiliary Stop** is recommended at hold-open point or where a door cannot swing beyond 120°.
- **Reveal** of 2-9/16" (65 mm) allows 120° opening for REGULAR ARM or standard Hold-open ARM. 4-13/16" (122 mm) allows up to 120° opening with LONG ARM where standard rod and shoe is replaced with optional LONG ROD AND SHOE 4040XP-79LR. Use H-LONG ARM with LONG HEAD AND TUBE, 4040XP-78HL for hold-open. 8" (203 mm) allows up to 120° opening with EXTRA LONG ARM where standard rod and shoe is replaced with optional EXTRA LONG ROD AND SHOE, 4040XP-79ELR.
- **Top Rail** requires 1-1/4" (32 mm) minimum.  
2-1/4" (57 mm) minimum with closer on PLATE, 4040XP-18TJ.  
3" (76 mm) minimum with closer on PLATE, 4040XP-18G.
- **Head Frame** less than 3-1/2" (89 mm) requires PLATE, 4040XP-18TJ. With flush ceiling, use PLATE, 4040XP-18G. Either plate requires 1-3/4" (44 mm) minimum.
- **\*Delayed Action** Incorporates standard 4041 cylinder, without XP cylinder. Delays closing from 120° to 70°. Delay time adjustable up to approximately 1 minute.

### Options

- 4041 Delayed action cylinder\*
- Hold-open arm.
- Metal cover.

Customized installation templates or products may be available to solve unusual applications. Contact LCN Product Support for assistance.

# 4040XP SERIES

## MOUNTING DETAILS

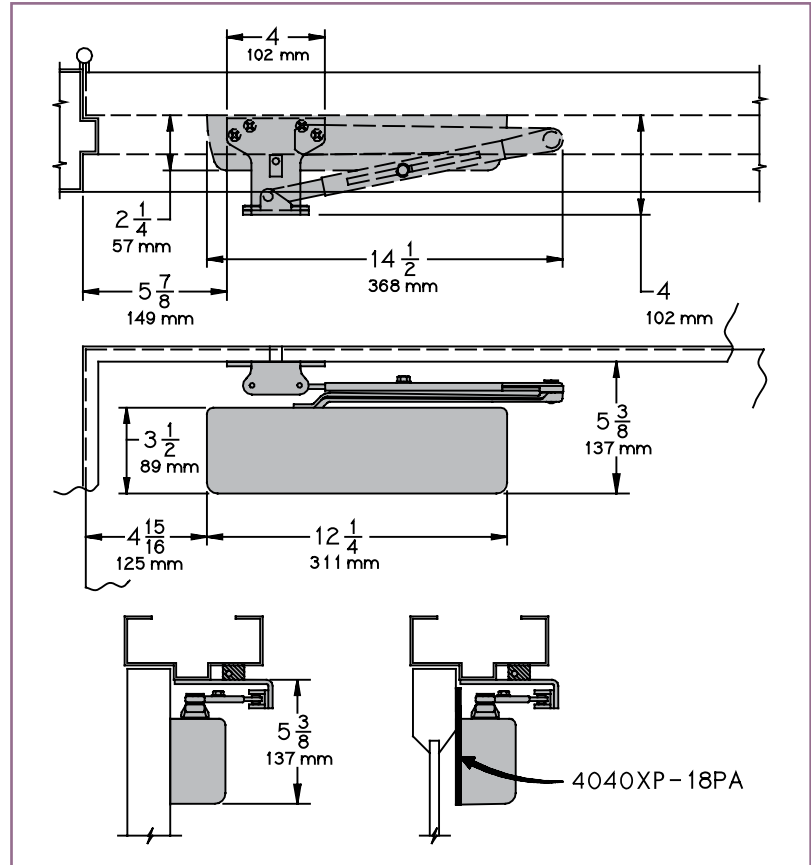
### PARALLEL ARM (PUSH SIDE) MOUNTING

Optional mounting requires PA SHOE, 4040XP-62PA for regular or HOLD-OPEN arms. Add prefix "P" to closer description (eg. P4040XP). P4040XP closer includes 4040XP-201 FIFTH HOLE SPACER to support PA SHOE.

### MAXIMUM OPENING

180° opening/hold-open points with all except CUSH arms.

110° opening/hold-open with CUSH arms.



### Options

- 4041 Delayed action cylinder\*
- Hold-open, EDA, HEDA, CUSH, HCUSH, SPRING CUSH or SPRING HCUSH arm.
- Metal cover.

### Special Templates

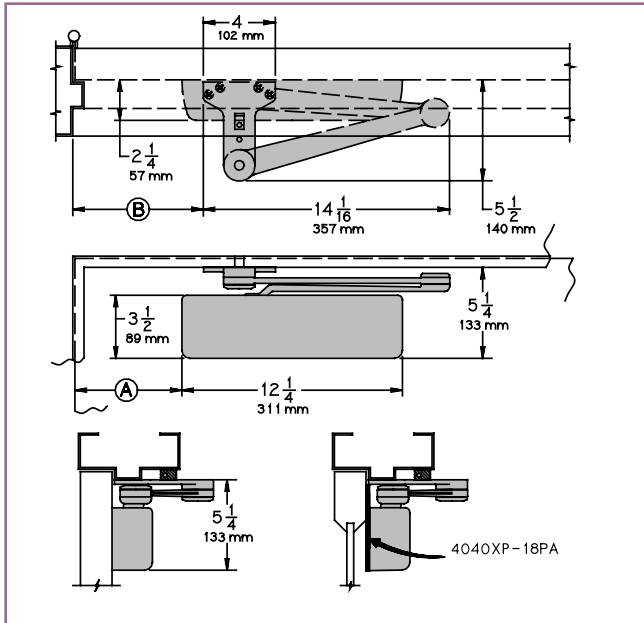
Customized installation templates or products may be available to solve unusual applications. Contact LCN Product Support for assistance.

- **Butt Hinges** should not exceed 5" (127 mm) in width.
- **Auxiliary Stop** is recommended at hold-open point, where the door cannot swing 180°, or where CUSH-N-STOP arm is not used.
- **Clearance** for 4040XP-62PA shoe is 4" (102 mm) from door face. EDA shoe projects 5-1/2" (140 mm) from door face. CUSH shoe projects 6" (152 mm) from door face.
- **Top Rail** less than 5-3/8" (137 mm) measured from the stop requires PLATE, 4040XP-18PA. Plate requires 2" (51 mm) minimum from the stop.
- **Head Frame** flush or rabbeted requires PA SHOE ADAPTER, 4040XP-419.
- **Stop Width** minimum 1" (25 mm). CUSH arm requires minimum 1-1/2" (38 mm).
- **Blade Stop** clearance requires 1/2" (13mm) BLADE STOP SPACER, 4040XP-61.
- **\*Delayed Action** Incorporates standard 4041 cylinder, without XP cylinder. Delays closing from 120° to 70°. Delay time adjustable up to approximately 1 minute.



# 4040XP SERIES

## 4040XP SERIES EDA MOUNT



Mounting details are the same as 4040XP Series REGULAR or HOLD-OPEN except as listed below. 4040XP Series closers ordered with EDA or CUSH arms include 4040XP-201 FIFTH HOLE SPACER to support the shoe.

### MAXIMUM OPENING

EDA arm can be templated for points at: 110°;

(A) = 6-3/8" (162 mm)

(B) = 7-3/4" (197 mm)

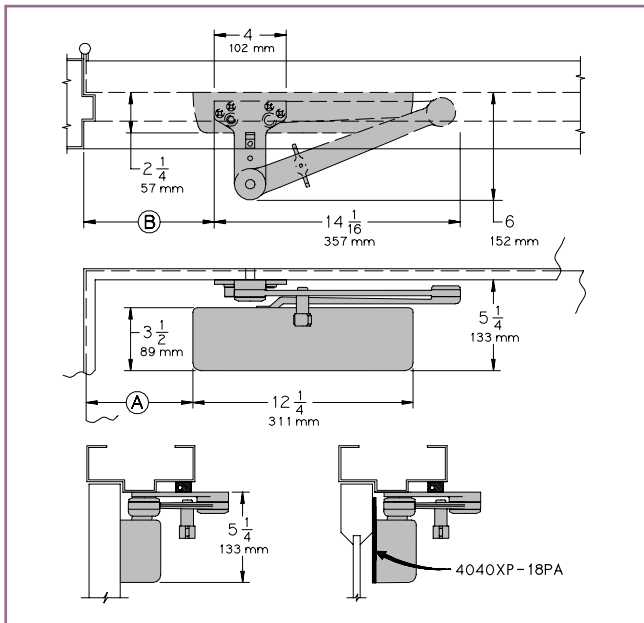
or 180°.

(A) = 2-7/8" (73 mm)

(B) = 4-1/4" (108 mm)

Hold-open points up to maximum opening with HEDA arm.

## 4040XP SERIES CUSH MOUNT



CUSH arms can be templated for opening/hold-open point at: 85°;

(A) = 7-15/16" (202 mm)

(B) = 9-1/8" (232 mm)

90°;

(A) = 7-3/16" (183 mm)

(B) = 8-1/2" (216 mm)

100°;

(A) = 6-1/16" (154 mm)

(B) = 7-1/4" (184 mm)

or 110°.

(A) = 5-1/16" (129 mm)

(B) = 6-3/8" (162 mm)

Spring Cush dead stop points are approximately 5° more than templated stop point. Hold open at templated stop points.

- **Clearance** for 4040XP-62EDA is 5-1/2" (140 mm) from door face. 6" (152 mm) for CUSH.
- **Head Frame** flush or rabbeted requires CUSH FLUSH PANEL ADAPTER, 4040XP-419.
- **CUSH ARM** requires SHOE SUPPORT, 4040XP-30 for fifth screw anchorage for narrow frames.
- **\*Delayed Action** Incorporates standard 4041 cylinder, without XP cylinder. Delays closing from maximum opening to ; 115° with 180° template, 95° with 110° template, 85° with 100° template, 75° with 90° template. Delay time adjustable up to approximately 1 minute.

# 4040XP SERIES

## CYLINDERS

### CYLINDER, 4040XP-3071

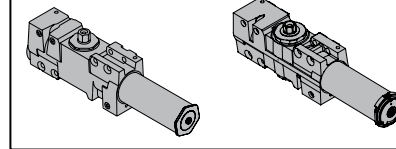
Heavy duty, non-handed cast iron cylinder assembly.

### CYLINDER, 4041-3071 DEL

Cylinder used for delayed action options.

4041-3071 DEL

4040XP-3071



## COVERS

### COVER, 4040XP-72

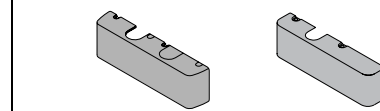
Standard, non-handed plastic cover.

### METAL COVER, 4040XP-72MC

Optional, handed cover. Required for plated finishes and custom powder coat finishes.

72

72MC



## ARMS

### REGULAR ARM, 4040XP-3077

Non-handed arm mounts pull side or top jamb with shallow reveal. P4041 closer includes PA SHOE, 4040XP-62PA required for parallel arm mounting.

### PA SHOE, 4040XP-62PA

Required for parallel arm mounting.

### LONG ARM, 4040XP-3077L

Optional non-handed arm includes LONG ROD AND SHOE, 4040XP-79LR for top jamb mount.

### EXTRA LONG ARM, 4040XP-3077ELR

Optional non-handed arm includes EXTRA LONG ROD AND SHOE, 4040XP-79ELR for top jamb mount with deep reveal.

### HOLD-OPEN ARM, 4040XP-3049

Optional, non-handed arm mounts pull side or top jamb with shallow reveal, hold-open adjustable shoe. 4040XP closer includes 4040XP-62PA shoe required for parallel arm mounting.

### LONG HOLD-OPEN ARM, 4040XP-3049L

Optional non-handed arm includes LONG HEAD AND TUBE, 4040XP-3048L for top jamb mount.

### EXTRA DUTY ARM, 4040XP-3077EDA

Non-handed parallel arm features forged, solid steel main and forearm for potentially abusive installations.

### HOLD-OPEN EXTRA DUTY ARM, 4040XP-3049EDA

Handed parallel arm features forged, solid steel main and forearm for potentially abusive installations. Hold-open function is adjusted at the shoe.

### EXTRA DUTY ARM WITH 62G, 4040XP-3077EDA/62G

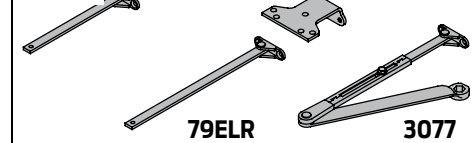
Non-handed parallel arm features forged, solid steel main and forearm for potentially abusive installations. 62G shoe provides additional blade stop clearance.

### HOLD-OPEN EXTRA DUTY ARM WITH 62G, 4040XP-3049EDA/62G

Handed parallel arm features forged, solid steel main and forearm for potentially abusive installations. 62G shoe provides additional blade stop clearance. Hold-open function is adjusted at the shoe.

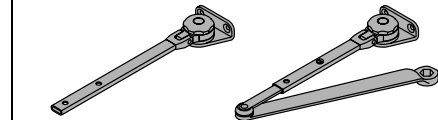
79LR

62PA



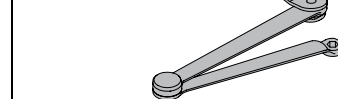
3048L

3049



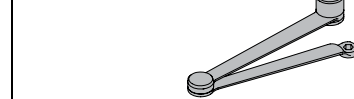
3049EDA

3077EDA



3049EDA/62G

3077EDA/62G

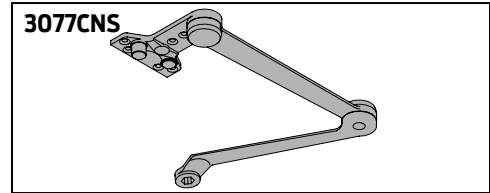


# 4040XP SERIES

## ARMS CONT.

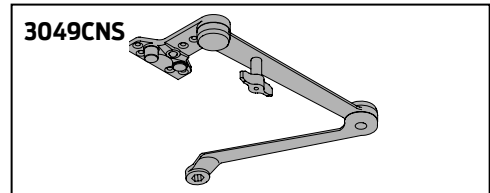
### **CUSH-N-STOP® ARM, 4040XP-3077CNS**

Optional, non-handed parallel arm features solid forged steel main arm and forearm with stop in soffit shoe.



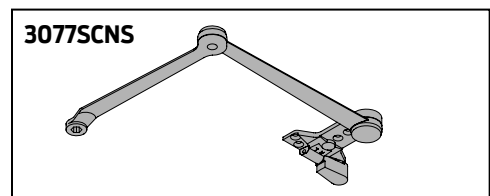
### **HCUSH ARM, 4040XP-3049CNS**

Optional, non-handed hold-open function with templated stop/hold-open points. Handle controls hold-open function.



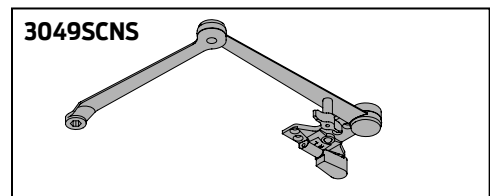
### **SPRING CUSH ARM, 4040XP-3077SCNS**

Optional, non-handed parallel arm for abusive applications features solid forged steel main arm and forearm with spring loaded stop in the soffit shoe.



### **SPRING HCUSH ARM, 4040XP-3049SCNS**

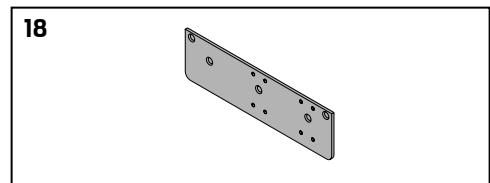
Optional, non-handed parallel arm for abusive applications features solid forged steel main arm and forearm with spring loaded stop in the soffit shoe. Handle controls hold-open function.



## INSTALLATION ACCESSORIES

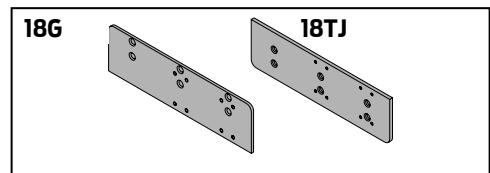
### **PLATE, 4040XP-18**

Required for hinge side mount where top rail is less than 3-3/4" (95 mm). Plate requires minimum 2" (51 mm) minimum top rail.



### **PLATE, 4040XP-18G**

Locates top jamb mounted closer flush with top of head frame face in flush ceiling condition. Plate requires 1-3/4" (44 mm) minimum head frame.

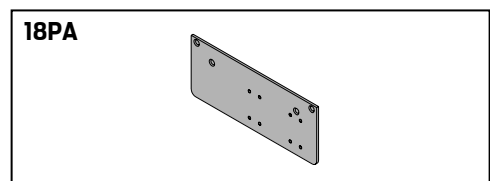


### **PLATE, 4040XP-18TJ**

Centers top jamb mounted closer vertically on head frame where face is less than 3-1/2" (89 mm). Plate requires 1-3/4" (44 mm) minimum head frame.

### **PLATE, 4040XP-18PA**

Required for parallel arm mounting where top rail is less than 5-1/2" (140 mm), measured from the stop. Plate requires 2" (51 mm) minimum top rail.



# 4040XP SERIES

## INSTALLATION ACCESSORIES CONT.

### CUSH SHOE SUPPORT, 4040XP-30

Provides anchorage for fifth screw used with CUSH arms, where reveal is less than 3-1/16" (78 mm).

### BLADE STOP SPACER, 4040XP-61

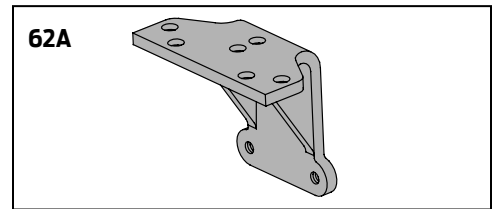
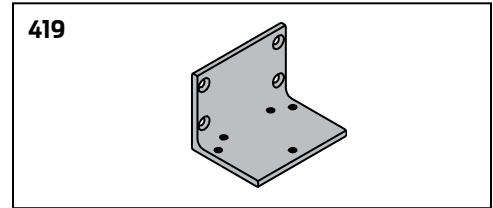
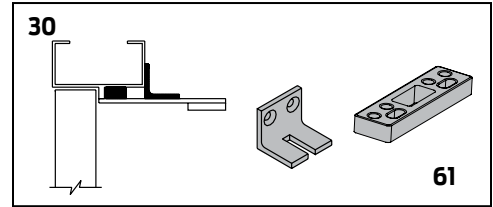
Required to lower parallel arm shoe to clear 1/2" (13 mm) blade stop.

### PA FLUSH PANEL ADAPTER, 4040XP-419

Provides horizontal mounting surface for parallel arm shoe on single rabbetted or flush frame.

### AUXILIARY SHOE, 4040XP-62A

Requires a top rail of 7" (178 mm). Optional shoe replaces -62PA for parallel arm mounting of regular arm with overhead holder/stop.



# 4040XP SERIES

## TABLE OF SIZES

4040XP cylinders are adjustable from size 1 through size 6 and is shipped set to size 3.

Closing power of 4040XP Series closers may be adjusted 50%.

### EXTERIOR (and VESTIBULE) DOOR WIDTH

	24" 610mm	30" 762mm	36" 914mm	42" 1067mm	48" 1219mm
*4040XP	size 3	size 4	size 5	size 6	

Minimum Door Width

### INTERIOR DOOR WIDTH

	24" 610mm	34" 864mm	38" 965mm	48" 1219mm	54" 1372mm	60" 1524mm
*4040XP	size 2	size 3	size 4	size 5	size 6	

Minimum Door Width


→ Indicates recommended range of door width for closer size.

\* Adjustable Size 1 thru 6.

## REDUCED OPENING FORCE 4040XP SERIES CLOSERS

**CAUTION!** Any manual door closer, including those certified by BHMA to conform to ANSI Standard A156.4, that is selected, installed and adjusted based on ADA or other reduced opening force requirements may not provide sufficient power to reliably close and latch a door.

Refer to POWER OPERATORS section for information on systems that meet reduced opening force requirements without effecting closing power.

	DOOR WIDTH	36"	42"	48"
	8.5* lbs.	4040XP	4040XP	4040XP
	5.0* lbs.	4040XP	4040XP	4040XP

\* Maximum opening force.

## HOW-TO-ORDER 4040XP SERIES CLOSERS

### 1. SELECT FINISH

- Standard Powder Coat \_\_\_\_\_  
Aluminum, Dark Bronze, Statuary,  
Light Bronze, Black, Brass.

### Closer will be shipped with:

- STANDARD CLIP-ON COVER
- SPECIFY ARM WHEN ORDERING
- SELF-REAMING and TAPPING SCREWS,  
unless options listed below are selected.

## CLOSER OPTIONS

### CYLINDER

- Delayed Action (4041 DEL)

### COVER

- Metal (specify right or left hand) (MC)

### FINISH

- Custom Powder Coat (RAL) \_\_\_\_\_  
(handed metal cover required)
- Plated Finish, US \_\_\_\_\_  
(handed metal cover required)
- SRI primer (use with powder coat finishes only)

### ARM

- Regular (REG)
- Regular w/62PA (Rw/PA)
- Regular w/62A (R/62A)
- Long (LONG)
- Extra Long (XLONG)
- Hold-Open (H)
- Hold-Open w/62PA (Hw/PA)
- Long Hold-Open (HLONG)
- Extra Duty Arm (EDA)
- Extra Duty Arm with 62G (EDA/62G)
- Hold Open Extra Duty Arm (HEDA) (Handed)
- Hold Open Extra Duty Arm with 62(HEDA/62G)(Handed)
- Cush-N-Stop (CUSH)
- HCush-N-Stop (HCUSH)
- Spring Cush (SCUSH)
- Spring HCush (SHCUSH)

### OPTIONAL SCREW PACKS

- TB\* w/Self-Reaming and Tapping (TBSRT)
  - Wood & Machine Screw (WMS)
  - TB\*, Wood & Machine Screw (TBWMS)
  - TORX Machine Screw (TORX)
  - TB\* & TORX Machine Screw (TBTRX)
- \* Specify door thickness if other than 1-3/4".

### INSTALLATION ACCESSORIES

- Plate, 4040XP-18
- Plate, 4040XP-18TJ
- Plate, 4040XP-18G
- Plate, 4040XP-18PA
- CUSH Shoe Support, 4040XP-30
- Blade Stop Spacer, 4040XP-61
- Auxiliary Shoe, 4040XP-62A
- PA Flush Panel Adapter, 4040XP-419

### SPECIAL TEMPLATE

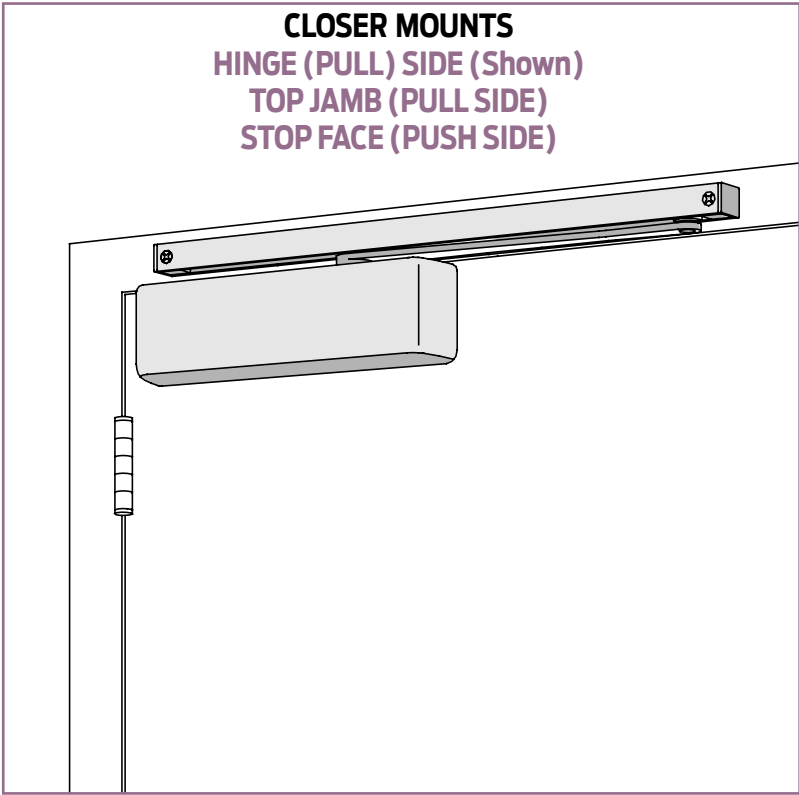
- ST- \_\_\_\_\_

PHONE 877-671-7011  
FAX 800-248-1460  
www.allegion.com/us  
4/15 009426



# 4040XPT SERIES

**CLOSER MOUNTS**  
**HINGE (PULL) SIDE (Shown)**  
**TOP JAMB (PULL SIDE)**  
**STOP FACE (PUSH SIDE)**



The 4040XPT is LCN's most flexible heavy duty track closer designed specifically for interior doors in institutional and other rugged high traffic applications.

- Cast Iron
- Forged Steel Arm
- Double Heat Treated Steel Pinion
- All Weather Fluid
- Non-Handed
- UL & cUL Listed
- 3/4" Journal
- 5/8" Bearing
- Peel-n-Stick Templates for Fast and Accurate Installations
- LCN Patented Green Dial

- Standard 4040XPT Series closer is shipped with standard arm, standard track, track roller, standard plastic cover, and self reaming and tapping screws. See 4040XPT Series pages 51 & 52 for options.
- Non-sized cylinders for interior doors to 4'0".
- Closer mounts pull side on door, pull side top jamb or push side on door.
- Standard or optional custom powder coat finish.
- Optional plated finish on metal cover, arm and fasteners.
- Optional SRI primer for installations in corrosive conditions is available with powder coat only.
- Consult factory for double egress applications.
- Optional designer series metal cover.
- The 4040XPT Series is UL and cUL listed with a standard track for self-closing doors.
- Tested and certified under ANSI Standard A156.4, grade one.



MOUNTING					FINISH		COVER		CYLINDER			**ARM FUNCTION											
HINGE (PULL) SIDE	TOP JAMB (PULL)	TOP JAMB (PUSH)	PARALLEL ARM	STOP FACE	POWDER COAT	PLATED	PLASTIC	METAL	NON-HANDED	NON-SIZED	ACCESSIBILITY	DELAYED ACTION	AVB***	XP	REGULAR (DOUBLE)	STANDARD (SINGLE)	HOLD-OPEN	FUSIBLE LINK	EDA/MEDA	CUSH/H/CUSH	SCUSH/SHCUSH	DOUBLE EGRESS	
●	○	●	●	○	●	●	●	●	●	○	○	○	●	○	○	○	○	○	○	○	○	○	○

● AVAILABLE  
 ○ NOT AVAILABLE

♿ Closer available with less than 5.0 lbs. opening force on 36" door.  
 \*\* Maximum opening/hold-open point with standard template.  
 \*\*\* Delayed Action Closer incorporates standard 4041 Delay Cylinder.

# 4040XPT SERIES

## MOUNTING DETAILS

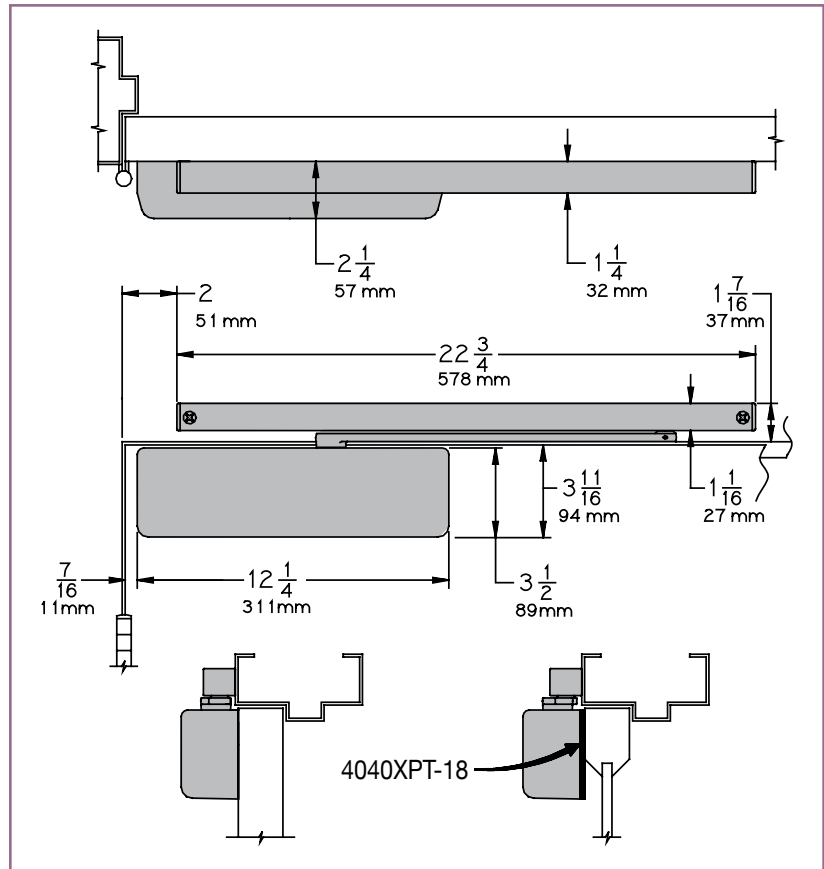
### HINGE (PULL) SIDE MOUNTING

#### MAXIMUM OPENING

Templating allows 120° with standard arm, limited to 110° when optional bumper is installed.

Hold-open points at 85°, 90°, 95°, 100°, 105°, or 110°, depending on the clip location in track.

Please note that many track style door closers are capable of allowing 180° of door swing. Be aware that the majority of track style closers are at their weakest closing force in the 180° – 130° range. Consult factory for applications where door must swing 180°.



#### Options

- Standard track with bumper, hold-open track, hold-open track with bumper.
- Metal cover.
- ST required for double egress applications. Consult factory.

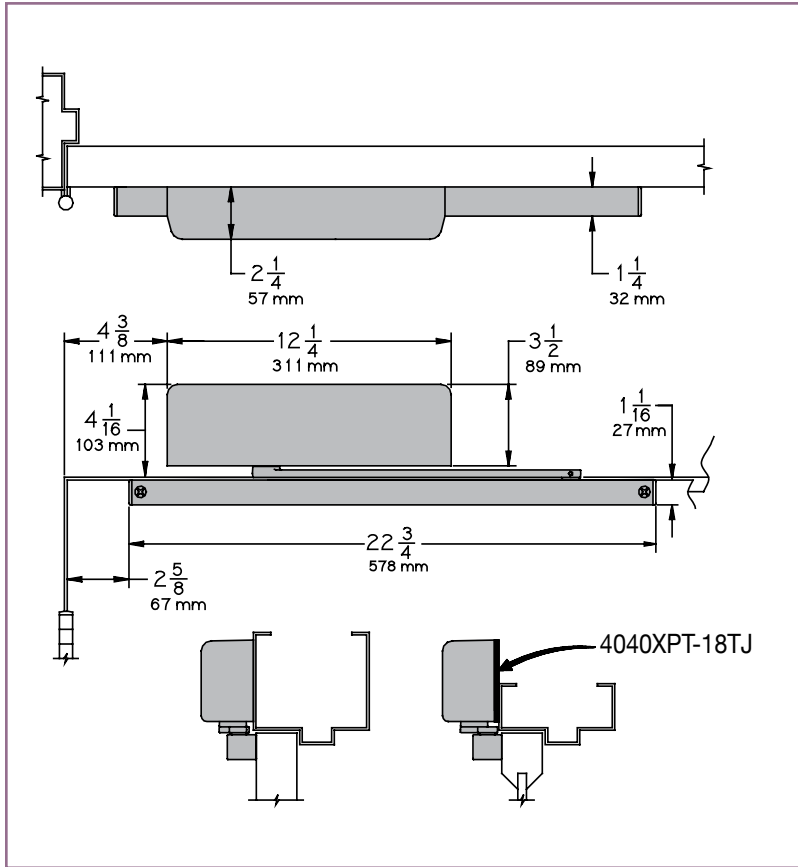
#### Special Templates

Customized installation templates or products may be available to solve unusual applications. Contact LCN Product Support for assistance.

- **Butt Hinges** should not exceed 5" (127 mm) in width.
- **Auxiliary Stop** is recommended at hold-open point or where a door cannot swing 120°. Optional track bumper assembly assists backcheck in cushioning the opening swing of the door. It is not intended to replace an auxiliary stop.
- **Reveal** should not exceed 1/8" (3 mm) for standard arm.
- **Top Rail** less than 3-3/4" (95 mm) requires PLATE, 4040XPT-18. Plate requires 1-13/16" (44 mm) minimum.
- **Head Frame** requires 1-1/4" (32 mm) minimum.
- **Clearance** of 2-1/4" (57 mm) behind door required for 90° installation.



# 4040XPT SERIES



## TOP JAMB (PULL SIDE) MOUNTING

### MAXIMUM OPENING

Templating allows 180° with standard track arm, limited to 110° with optional bumper installed.

Consult factory if door will be held open at 180°.

Hold-open points at 85°, 90°, 95°, 100°, 105° or 110° with hold-open tracks.

Please note that many track style door closers are capable of allowing 180° of door swing. Be aware that the majority of track style closers are at their weakest closing force in the 180° – 130° range. Consult factory for applications where an exterior or large/heavy door must swing 180°.

- **Butt Hinges** should not exceed 5" (127 mm) in width.
- **Auxiliary Stop** is recommended at hold-open point or where a door cannot swing 180°. Optional track bumper assembly assists backcheck in cushioning the opening swing of the door. It is not intended to replace an auxiliary stop.
- **Reveal** should not exceed 1/8" (3 mm).
- **Head Frame** less than 3-7/8" (98 mm), requires PLATE, 4040XPT-18TJ. Plate requires 1-3/4" (44 mm) minimum.
- **Clearance** of 1-1/4" (32 mm) behind door required for 180° installation.

### Options

- Standard track with bumper, hold-open track, hold-open track with bumper.
- Metal cover.

### Special Templates

Customized installation templates or products may be available to solve unusual applications. Contact LCN Product Support for assistance.

# 4040XPT SERIES

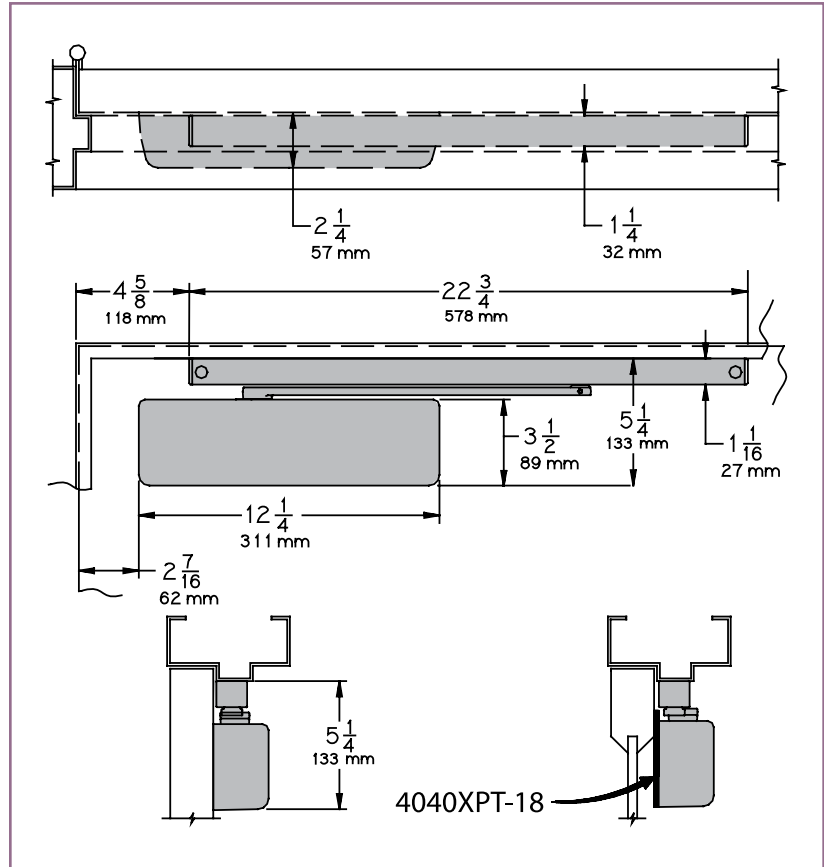
## STOP FACE (PUSH SIDE) MOUNTING

### MAXIMUM OPENING

Templating allows 120° with standard track arm, limited to 110° with optional bumper tracks.

Hold-open points at 85°, 90°, 95°, 100°, 105° or 110° with hold-open tracks.

Please note that many track style door closers are capable of allowing 180° of door swing. Be aware that the majority of track style closers are at their weakest closing force in the 180° – 130° range. Consult factory for applications where door must swing 180°.



- **Butt Hinges** should not exceed 5" (127 mm) in width.
- **Auxiliary Stop** is recommended at hold-open point or where a door cannot swing 120°. Optional track bumper assembly assists backcheck in cushioning the opening swing of the door. It is not intended to replace an auxiliary stop.
- **Clearance** projects 2-1/4" (57 mm) from face of door.
- **Top Rail** less than 5-1/4" (133 mm) measured from the stop, requires PLATE, 4040XPT-18. Plate requires 3-1/2" (89 mm) minimum.
- **Stop Width** minimum 1-1/4" (32 mm).

### Options

- Standard track with bumper, hold-open track, hold-open track with bumper.
- Metal cover.

### Special Templates

Customized installation templates or products may be available to solve unusual applications. Contact LCN Product Support for assistance.

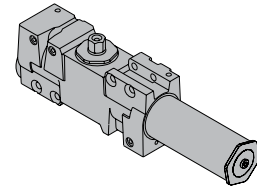
# 4040XPT SERIES

## CYLINDERS

### CYLINDER, 4040XPT-3071

Standard, non-handed cast iron cylinder assembly.

3071

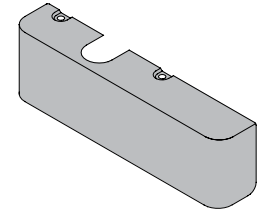


## COVERS

### COVER, 4040XPT-72

Standard, non-handed plastic clip-on cover.

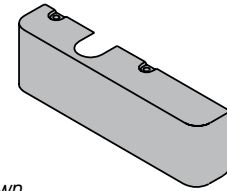
72



### METAL COVER, 4040XPT-72MC

Optional, handed cover. Required for plated finishes and custom powder coat finishes.

72MC



*Left Hand Shown*

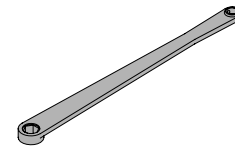
## ARMS

### STANDARD ARM, 4040XPT-3077T

Non-handed arm.

Arm does not include track roller.

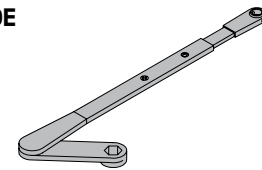
3077T



### DOUBLE EGRESS ARM, 4040XPT-3077DE

Optional, handed arm for double egress doors and frames. Arm does not include track roller. Maximum reveal is 2-11/16" (68mm).

3077TDE



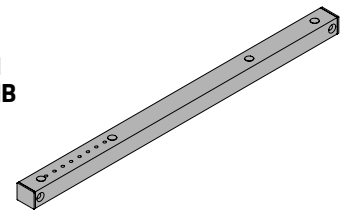
## TRACKS

### STANDARD TRACK, 4040XPT-3038

Standard, non hold-open, non-handed track.

Will accept hold-open clip and/or bumper assembly.

3038  
3038B  
3038H  
3038HB



### STANDARD TRACK with BUMPER, 4040XPT-3038B

Optional non hold-open, non-handed track with bumper assembly installed. Will accept hold-open clip.

### HOLD-OPEN TRACK, 4040XPT-3038H

Optional, non-handed track with hold-open clip installed.

Will accept bumper assembly.

### HOLD-OPEN TRACK with BUMPER, 4040XPT-3038HB

Optional, non-handed track with hold-open clip and bumper assembly installed.

# 4040XPT SERIES

## INSTALLATION ACCESSORIES

### PLATE, 4040XPT-18

Required for pull side (door mount) installations where top rail is less than 3-3/4" (95 mm).

Plate requires minimum 1-3/4" (44 mm) top rail.

Required for push side (door mount) installations where top rail is less than 5-1/4" (133 mm) measured from the stop. Plate requires minimum 3-1/2" (89 mm) top rail.

### PLATE, 4040XPT-18TJ

Required for pull side top jamb installations where head frame is less than 3-7/8" (98 mm). Plate requires minimum 1-3/4" (44 mm) head frame.

### TRACK BUMPER, 4040XPT-169

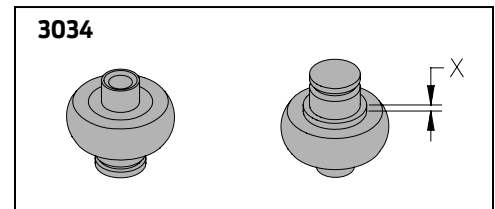
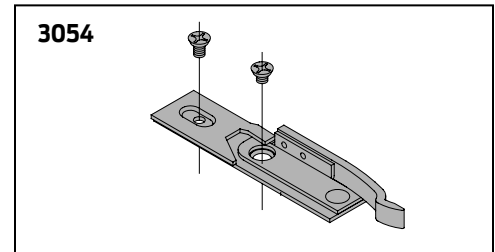
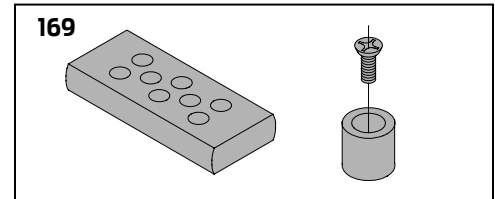
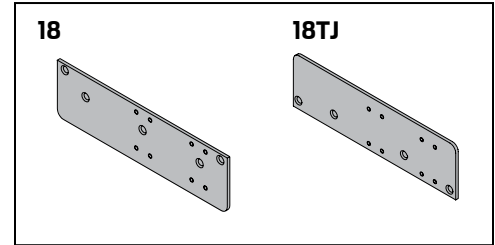
Mounts in track to assist backcheck, does not replace auxiliary stop. Limits maximum opening. Consists of bumper, bumper post, and mounting screw.

### HOLD-OPEN CLIP, 4040XPT-3054

Mounts in track to provide hold-open function. Hold-open point controlled by clip location. Consists of clip and mounting screws.

### TRACK ROLLER, 4040XPT-3034

Quiet, low friction roller assembly. Shoulder dimension "X" = 1/8" (3mm).

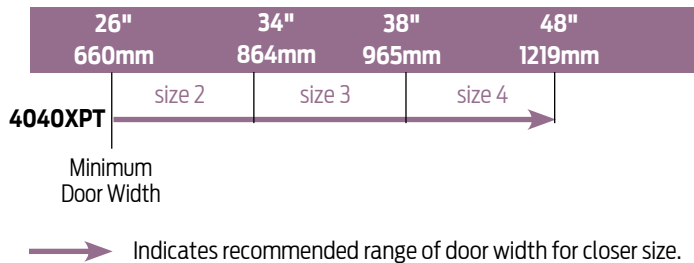


# 4040XPT SERIES

## TABLE OF SIZES

Non-Sized 4040XPT cylinder is adjustable from sizes 1 thru 4 and is shipped set to size 3.

### INTERIOR DOOR WIDTH



## HOW-TO-ORDER 4040XPT SERIES CLOSERS

### 1. SELECT FINISH

- Standard Powder Coat \_\_\_\_\_  
Aluminum, Dark Bronze, Statuary,  
Light Bronze, Black, Brass.

#### Closer will be shipped with:

- STANDARD COVER,
- STANDARD ARM,
- TRACK ROLLER,
- STANDARD TRACK,
- SELF-REAMING and TAPPING SCREWS,  
*unless options listed below are selected.*

## CLOSER OPTIONS

### COVER

- Metal (specify right or left hand) (MC)

### FINISH

- Custom Powder Coat (RAL) \_\_\_\_\_  
(handed metal cover required)
- Plated Finish, US \_\_\_\_\_  
(handed metal cover required)
- SRI primer (use with powder coat finishes only)

### TRACK

- Regular with Bumper (BUMPER)
- Hold-Open (HO)
- Hold-Open with Bumper (HBUMPER)

### SPECIFY SCREW PACK

- TB\* w/Self-Reaming and Tapping Screws (TBSRT)
  - Wood & Machine Screw (WMS)
  - TB\*, Wood & Machine Screw (TBWMS)
  - TORX Machine Screw (TORX)
  - TB\* & TORX Machine Screw (TBTORX)
- \* Specify door thickness if other than 1-3/4"*

### INSTALLATION ACCESSORY

- Plate, 4040XPT-18
- Plate, 4040XPT-18TJ


### SPECIAL TEMPLATE

- ST- \_\_\_\_\_

## REDUCED OPENING FORCE 4040XPT CLOSERS

**CAUTION!** Any manual door closer, including those certified by BHMA to conform to ANSI Standard A156.4, that is selected, installed and adjusted based on ADA or other reduced opening force requirements may not provide sufficient power to reliably close and latch a door.

Refer to POWER OPERATORS section for information on systems that meet reduced opening force requirements without effecting closing power.

	DOOR WIDTH	36"	42"	48"
	8.5* lbs.	N/A	N/A	N/A
	5.0* lbs.	4040XPT	4040XPT	4040XPT

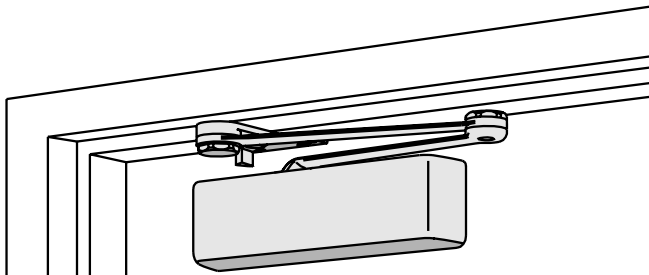
\* Maximum opening force.



# 4110 SERIES

## FEATURES

### \*PARALLEL ARM (PUSH SIDE) MOUNT



\*4110 HCUSH mount shown

The 4110 is LCN's best performing heavy duty closer designed specifically for institutional and other rugged high traffic applications.

- Cast Iron
- Extra Duty Forged Steel Arm Standard
- Double Heat Treated Steel Pinion
- All Weather Fluid
- Advanced Variable Backcheck
- LCN Patented Green Dial
- UL & cUL Listed
- Peel-n-Stick Templates for Fast and Accurate Installations

- Standard 4110 Series closer is shipped with Extra Duty arm, standard plastic cover, 4110-201 FIFTH SCREW SPACER and self reaming and tapping screws. See 4110 Series pages 57 & 58 for options.
- Sized cylinders adjustable for interior doors to 5'0" and exterior doors to 4'0".
- Non-sized cylinder adjustable for interior doors to 4'6" and exterior doors to 3'6".
- Closer mounts parallel arm, specify right or left swinging door.
- 4111 cylinder meets ADA requirements. See 4110 Series page 59.
- Standard or optional custom powder coat finish.
- Optional plated finish on metal cover, arm and fasteners.
- Optional SRI primer for installations in corrosive conditions is available with powder coat only.
- The 4110 Series is UL and cUL listed for self-closing doors without hold-open.
- Tested and certified under ANSI Standard A156.4, grade one.



MOUNTING					FINISH		COVER			CYLINDER		**ARM FUNCTION									
HINGE (PULL/SIDE)	TOP JAMB (PULL)	TOP JAMB (PUSH)	PARALLEL ARM	STOP FACE	POWDER COAT	PLATED	PLASTIC	METAL	NON-HANDED	NON-SIZED	ACCESSIBILITY	DELAYED ACTION	AVB***	REGULAR (DOUBLE)	STANDARD (SINGLE)	HOLD-OPEN	FUSIBLE LINK	EDA/HEDA	CUSH/HCUSH	SCUSH/SHCUSH	DOUBLE EGRESS
○	○	○	●	○	●	●	●	●	○	●	♿	●	●	○	○	○	180°	180°	110°	110°	○

● AVAILABLE  
○ NOT AVAILABLE

♿ Closer available with less than 5.0 lbs. opening force on 36" door.  
\*\* Maximum opening/hold-open point with standard template.  
\*\*\* Advanced Variable Backcheck.

# 4110 SERIES

## PARALLEL ARM (PUSH SIDE) MOUNTING

### MAXIMUM OPENING

EDA or Fusible Link arm can be templated for

100°

Ⓐ = 5-15/16" (151 mm)

Ⓑ = 7-1/4" (184 mm)

140°

Ⓐ = 4-7/16" (113 mm)

Ⓑ = 5-3/4" (146 mm)

or 180°

Ⓐ = 2-15/16" (75 mm)

Ⓑ = 4-1/4" (108 mm)

Hold-open points up to maximum opening with HEDA or Fusible Link arm.

CUSH arm can be templated for maximum opening at

85°

Ⓐ = 8-5/16" (211 mm)

Ⓑ = 9-5/8" (244 mm)

90°

Ⓐ = 7-11/16" (195 mm)

Ⓑ = 9" (229 mm)

100°

Ⓐ = 6-7/16" (164 mm)

Ⓑ = 7-3/4" (197 mm)

or 110°

Ⓐ = 5-9/16" (141 mm)

Ⓑ = 6-7/8" (175 mm)

Hold-open point at maximum opening with HCUSH arm.

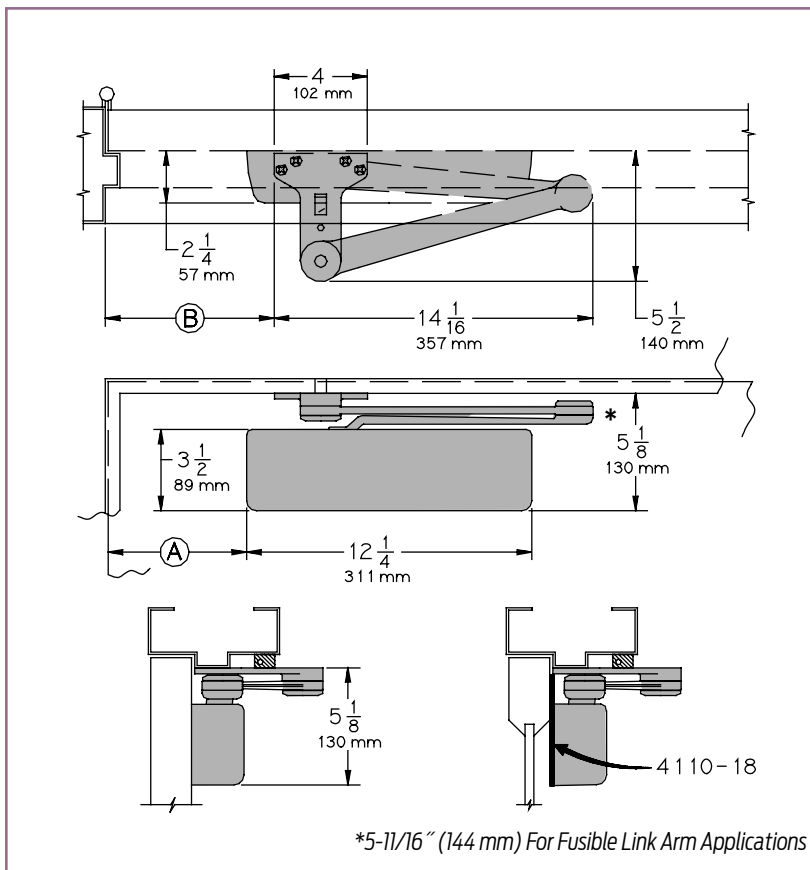
Spring Cush hold-open points are approximately 5° less than templated stop point.

### Options

- Size 6 or non-sized cylinder.
- Delayed Action and/or Advanced Variable Backcheck cylinder.
- HEDA, CUSH, HCUSH, SPRING CUSH, SPRING HCUSH or Fusible Link arm.
- Metal cover.

### Special Templates

Customized installation templates or products may be available to solve unusual applications. Contact LCN Product Support for assistance.



- **Butt Hinges** should not exceed 5" (127 mm) in width.
- **Auxiliary Stop** is recommended at hold-open point, where a door cannot swing 180°, or where CUSH-N-STOP arm is not used.
- **Clearance** for EDA, or CUSH shoe is 5-1/2" (140 mm) from door face.
- **Top Rail** less than 5-1/8" (130 mm) measured from stop requires PLATE, 4110-18. Plate requires 2" (51 mm) minimum measured from the stop.
- **Stop Width** minimum 1" (25 mm).
- **Head Frame** flush or rabbeted requires CUSH FLUSH PANEL ADAPTER, 4110-419.
- **Reveal** less than 2-3/4" (70 mm), use CUSH SHOE SUPPORT, 4110-30 with CUSH arms.
- **Blade Stop Spacer**, 4110-61 required to clear 1/2" (13 mm) blade stop.
- **Cush Arm** requires CUSH SHOE SUPPORT, 4110-30 for fifth screw anchorage with CUSH arms.
- **Delayed Action** Add suffix "DEL" to selected cylinder (eg. 4111 DEL). Not available with 4116 cylinder. Delays closing from maximum opening to approximately 70°. Delay time adjustable up to approximately 1 minute.
- **Advanced Variable Backcheck** cylinder starts backcheck at approximately 45° instead of the normal 75°. Add suffix "AVB" to selected cylinder.



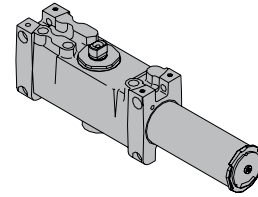
# 4110 SERIES

## CYLINDERS

### CYLINDER, 4110-3071

Standard, handed cast iron cylinder assembly.  
For various applications see "Table of Sizes" on 4110 Series page 59.

3071

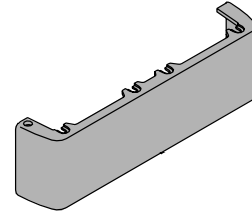


## COVERS

### COVER, 4110-72

Standard, non-handed plastic cover.

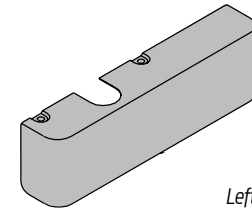
72



### METAL COVER, 4110-72MC

Optional, handed cover. Required for plated finishes and custom powder coat finishes.

72MC



Left Hand Shown

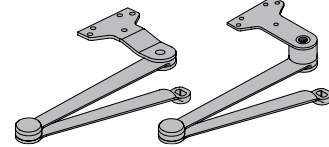
## ARMS

### EXTRA DUTY ARM, 4110-3077EDA, 4110-3077EDAG

Non-handed parallel arm features forged, solid steel main and forearm for potentially abusive installations.  
Optional 4110-62G thick hub shoe for blade stop clearance.

3077

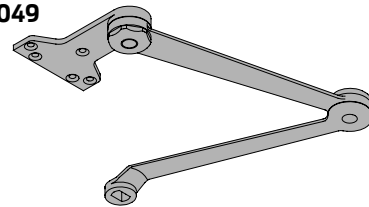
3077EDAG



### HOLD-OPEN ARM 4110-3049EDA

Optional handed arm provides hold-open function, adjustable at shoe.

3049



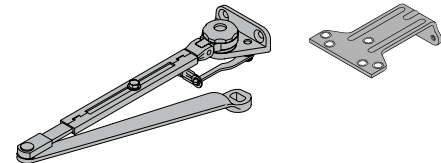
### FUSIBLE LINK ARM, 4110-3049FL

Optional, handed arm releases hold-open function adjustable at shoe when exposed to temperatures above 165° F.

*NOTE: Check local codes before specifying FL arms. NOT A life safety product!*

3049FL

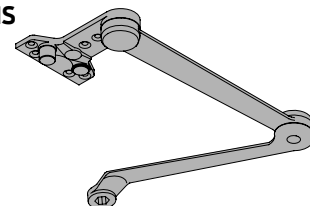
62FL



### CUSH-N-STOP ARM, 4110-3077CNS

Non-handed parallel arm features solid forged steel main arm and forearm with built-in stop in soffit shoe.

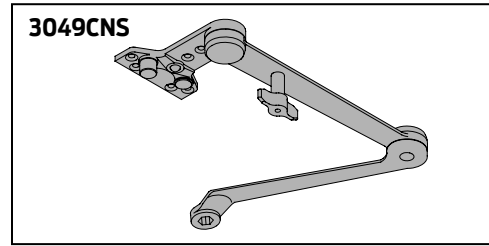
3077CNS



# 4110 SERIES

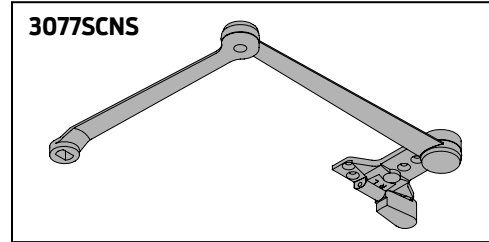
## H-CUSH ARM 4110-3049CNS

Non-handed arm provides hold-open function with templated stop/hold-open points. Handle controls hold-open function.



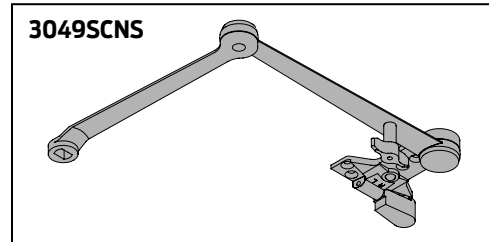
## SPRING CUSH ARM, 4110-3077SCNS

Optional, non-handed parallel arm for abusive applications features solid forged steel main arm and forearm with spring loaded stop in the soffit shoe.



## SPRING H-CUSH ARM, 4110-3049SCNS

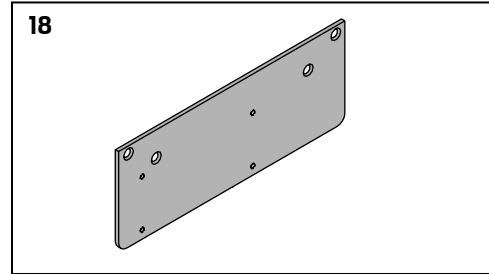
Optional, non-handed parallel arm for abusive applications features solid forged steel main arm and forearm with spring loaded stop in the soffit shoe. Handle controls hold-open function.



## INSTALLATION ACCESSORIES

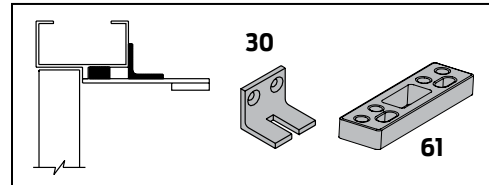
### PLATE, 4110-18

Required for push side mount where top rail is less than 5-1/8" (130 mm), measured from the stop. Plate requires minimum 2" (51 mm) minimum top rail. Plate also used with CUSH Arm installations.



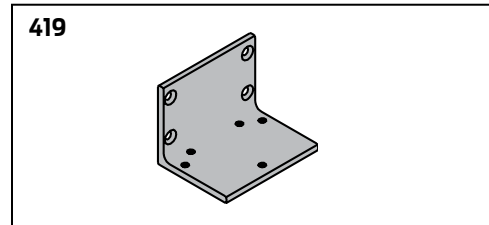
### CUSH SHOE SUPPORT, 4110-30

Provides anchorage for fifth screw used with CUSH arm, where reveal is less than 3-1/16" (78 mm).



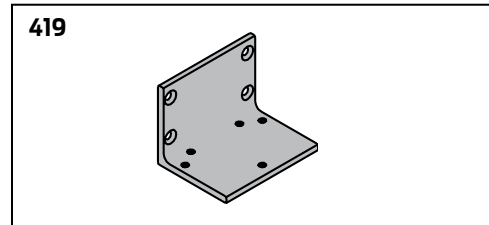
### BLADE STOP SPACER, 4110-61

Lowers parallel arm shoe to clear 1/2" (13 mm) blade stop



### PA FLUSH PANEL ADAPTER, 4110-419

Provides horizontal mounting surface for CUSH shoe on single rabbeted or flush frame.



# 4110 SERIES

## TABLE OF SIZES

Select closer based on width of door.

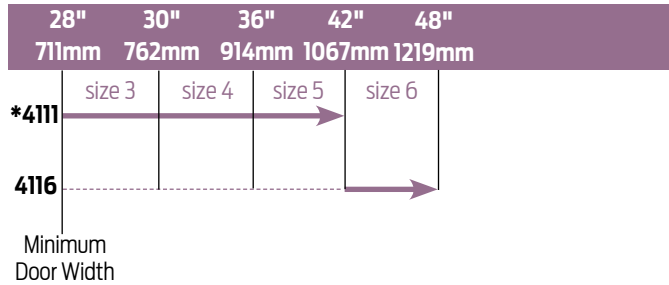
The spring power of non-sized 4111 cylinder is adjustable from size 1 through size 5 and is shipped set to size 3.

Sized 4116 series cylinders 6.

Delayed action not available with 4116 cylinder

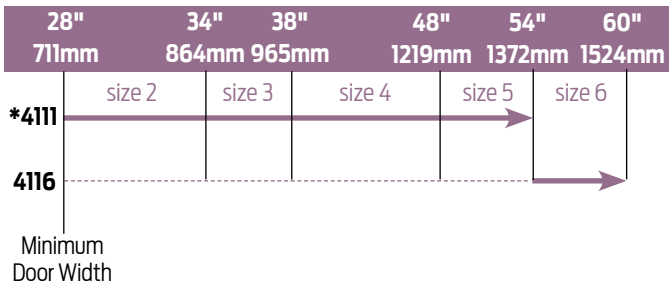
H - CUSH and SPRING H-CUSH arm not available with 4116 cylinder.

### EXTERIOR (and VESTIBULE) DOOR WIDTH



\* Adjustable Size 1 thru 5

### INTERIOR DOOR WIDTH



→ Indicates recommended range of door width for closer size.

\* Adjustable Size 1 thru 5.

## REDUCED OPENING FORCE 4110 CLOSERS

**CAUTION!** Any manual door closer, including those certified by BHMA to conform to ANSI Standard A156.4, that is selected, installed and adjusted based on ADA or other reduced opening force requirements may not provide sufficient power to reliably close and latch a door.

Refer to AUTOMATIC OPERATORS section for information on systems that meet reduced opening force requirements without effecting closing power.

	DOOR WIDTH	36"	42"	48"
	8.5* lbs.	4111	4111	4111
	5.0* lbs.	4111	4111	4111

\* Maximum opening force.

## HOW-TO-ORDER 4110 SERIES CLOSERS

### 1. SELECT CYLINDER SIZE

- 4111 (adjustable from size 1 to 5)
- 4116 (DEL, SHCUSH or HCUSH arm not available)

### 2. SPECIFY HAND

- RH
- LH

### 3. SELECT FINISH

- Standard Powder Coat \_\_\_\_\_  
Aluminum, Dark Bronze, Statuary,  
Light Bronze, Black, Brass.

### Closer will be shipped with:

- STANDARD COVER,
- FIFTH SCREW SPACER,
- EDA ARM,
- SELF-REAMING and TAPPING SCREWS  
*unless options listed below are selected.*

## 4110 CLOSER OPTIONS

### CYLINDER

- Delayed Action (DEL) (not available with 4116)
- Advanced Variable Backcheck (AVB)

### COVER

- Metal (MC)

### FINISH

- Custom Powder Coat (RAL) \_\_\_\_\_  
(handed metal cover required)
- Plated Finish, US \_\_\_\_\_  
(handed metal cover required)
- SRI primer (use with powder coat finishes only)

### SPECIFY ARM

- Hold-Open Extra Duty (HEDA)
- Fusible Link, 165° F (FL)
- Cush-N-Stop (CUSH)
- H-Cush-N-Stop (n/a with 4116 cylinder) (HCUSH)
- Spring Cush (SCUSH)
- Spring H-Cush (n/a with 4116 cylinder) (SHCUSH)
- Extra Duty (EDA)
- H-Extra Duty (HEDA)

### SCREW PACK

- TB\*, Self-Reaming & Tapping (TBSRT)
- Wood & Machine Screw (WMS)
- TB\*, Wood & Machine Screw (TBWMS)
- TORX Machine Screw (TORX)
- TB\* & TORX Machine Screw (TBTRX)  
*\* Specify door thickness if other than 1-3/4".*

### INSTALLATION ACCESSORIES

- Plate, 4110-18
- CUSH Shoe Support, 4110-30
- Blade Stop Spacer, 4110-61
- PA Flush Panel Adapter, 4110-419

### SPECIAL TEMPLATE

- ST- \_\_\_\_\_





# 4110T SERIES

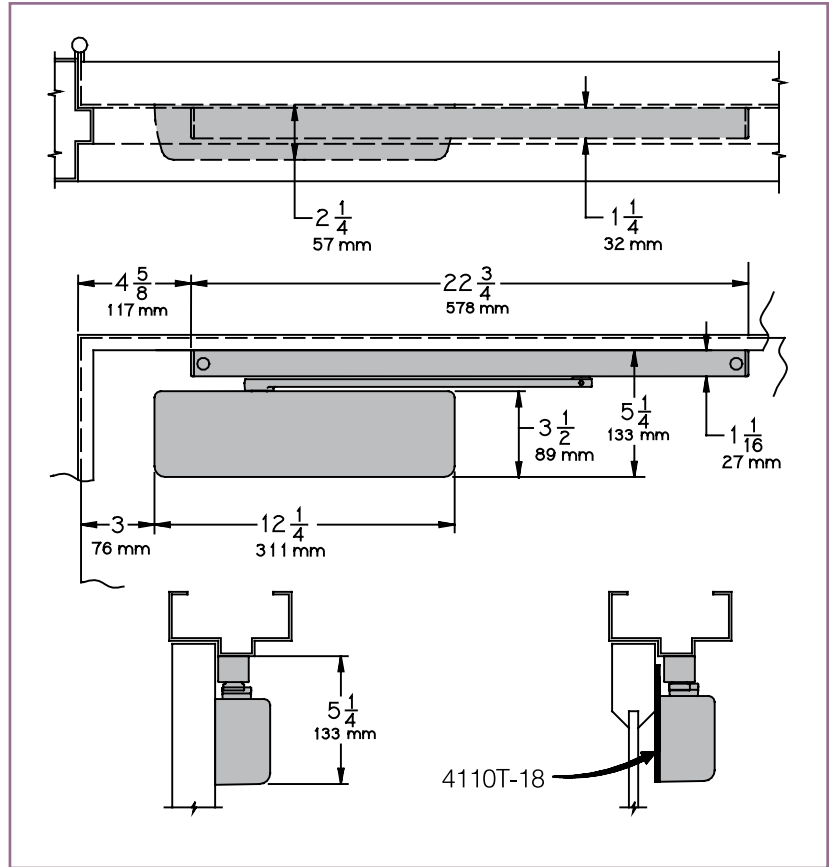
## STOP FACE (PUSH SIDE) MOUNTING

### MAXIMUM OPENING

Templating allows 110° with standard track arm, limited to 100° with optional bumper tracks.

Hold-open points at 85°, 90°, 95°, or 100° with hold-open tracks.

Please note that many track style door closers are capable of allowing 180° of door swing. Be aware that the majority of track style closers are at their weakest closing force in the 180° – 130° range. Consult factory for applications where door must swing 180°.



- **Butt Hinges** should not exceed 5" (127 mm) in width.
- **Auxiliary Stop** is recommended at hold-open point or where a door cannot swing 110°. Optional track bumper assembly assists backcheck in cushioning the opening swing of the door. It is not intended to replace an auxiliary stop.
- **Clearance** projects 2-1/4" (57 mm) from face of door.
- **Top Rail** less than 5-1/4" (133 mm) measured from stop, requires PLATE, 4110T-18. Plate requires 2-1/4" (57 mm) minimum.
- **Stop Width** minimum 1-1/4" (32 mm).

### Options

- Standard track with bumper, hold-open track, hold-open track with bumper.
- Metal cover.

### Special Templates

Customized installation templates or products may be available to solve unusual applications. Contact LCN Product Support for assistance.

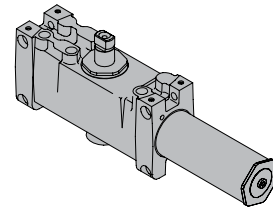
# 4110T SERIES

## CYLINDERS

### CYLINDER, 4110T-3071

Standard, handed cast iron cylinder assembly. For various applications see "Table of Sizes" on 4110T Series page 65.

3071

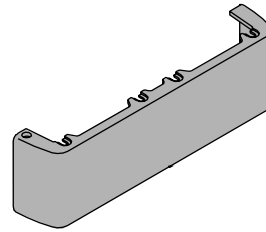


## COVERS

### COVER, 4110T-72

Standard, non-handed plastic cover.

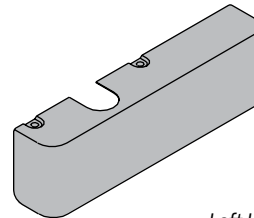
72



### METAL COVER, 4110T-72MC

Optional, handed cover. Required for plated finishes and custom powder coat finishes.

72MC



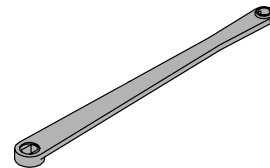
*Left Hand Shown*

## ARM

### STANDARD ARM, 4110T-3077T

Handed arm. Roller not included with arm.

3077T



## TRACKS

### STANDARD TRACK, 4110T-3038

Standard, non hold-open, non-handed track.  
Will accept hold-open clip and/or bumper assembly.

### STANDARD TRACK with BUMPER, 4110T-3038B

Optional non hold-open, non-handed track with bumper assembly installed. Will accept hold-open clip.

### HOLD-OPEN TRACK, 4110T-3038H

Optional, non-handed track with hold-open clip installed. Will accept bumper assembly.

### HOLD-OPEN TRACK with BUMPER, 4110T-3038HB

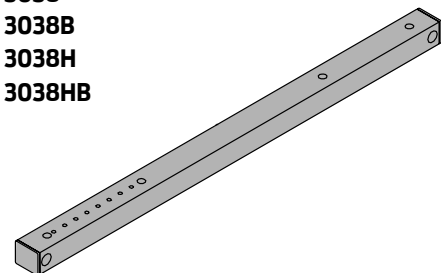
Optional, non-handed track with hold-open clip and bumper assembly installed.

3038

3038B

3038H

3038HB

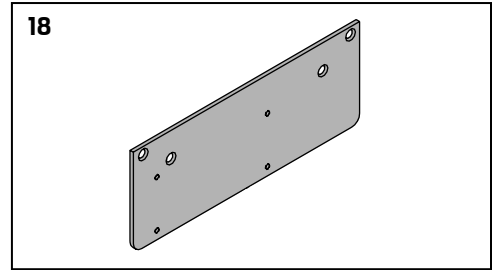


# 4110T SERIES

## INSTALLATION ACCESSORIES

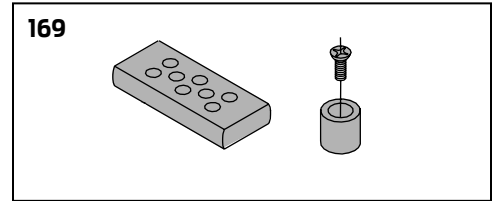
### PLATE, 4110T-18

Required where top rail, when measured from the stop, is less than 5-1/4" (133 mm). Plate requires minimum 2-1/4" (57 mm) minimum top rail.



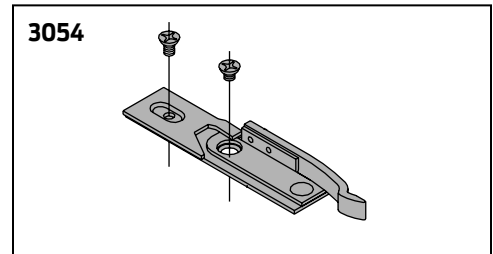
### TRACK BUMPER, 4110T-169

Mounts in track to assist backcheck, not replace auxiliary stop. Limits maximum opening. Consists of bumper, bumper post, and mounting screw.



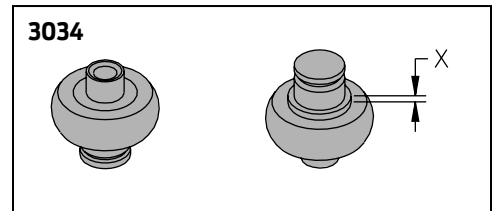
### HOLD-OPEN CLIP, 4110T-3054

Mounts in track to provide hold-open function. Hold-open point controlled by clip location. Consists of clip and mounting screws.



### TRACK ROLLER, 4110T-3034

Quiet, low friction roller assembly. Shoulder dimension "X" = 1/16" (2 mm).





# 4110T SERIES

## TABLE OF SIZES

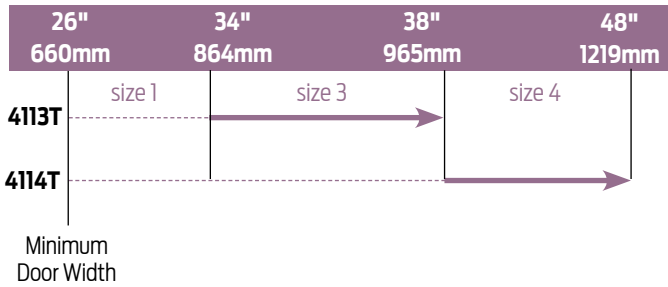
Select closer based on width of door.

Sized 4110T series cylinders available in size 1, 3 or 4.

Closing power of all 4110T Series closers may be increased 15%.

Specify next higher size closer where strong drafts exist.

### INTERIOR DOOR WIDTH



→ Indicates recommended range of door width for closer size.

## REDUCED OPENING FORCE 4110T CLOSERS

**CAUTION!** Any manual door closer, including those certified by BHMA to conform to ANSI Standard A156.4, that is selected, installed and adjusted based on ADA or other reduced opening force requirements may not provide sufficient power to reliably close and latch a door.

Refer to POWER OPERATORS section for information on systems that meet reduced opening force requirements without effecting closing power.

	DOOR WIDTH	36"	42"	48"
	8.5* lbs.	N/A	N/A	N/A
	5.0* lbs.	4111T	4111T	4111T

\* Maximum opening force.

## HOW-TO-ORDER 4110T SERIES CLOSERS

### 1. SELECT CYLINDER SIZE

- 4111T (ADA)
- 4113T
- 4114T

### 2. SPECIFY HAND

- RH
- LH

### 3. SELECT FINISH

- Standard Powder Coat \_\_\_\_\_  
Aluminum, Dark Bronze, Statuary,  
Light Bronze, Black, Brass.

### Closer will be shipped with:

- STANDARD COVER,
- STANDARD ARM,
- TRACK ROLLER,
- STANDARD TRACK,
- SELF-REAMING and TAPPING SCREWS  
*unless options listed below are selected.*

## CLOSER OPTIONS

### COVER

- Metal (MC)

### FINISH

- Custom Powder Coat (RAL) \_\_\_\_\_  
(handed metal cover required)
- Plated Finish, US \_\_\_\_\_  
(handed metal cover required)
- SRI primer (use with powder coat finishes only)

### SPECIFY TRACK

- Standard with Bumper (BUMPER)
- Hold-Open (HO)
- Hold-Open with Bumper (HBUMPER)

### SPECIFY SCREW PACK

- TB\* w/Self-Reaming and Tapping (TBSRT)
- Wood & Machine Screw (WMS)
- TB\*, Wood & Machine Screw (TBWMS)
- TORX Machine Screw (TORX)
- TB\* & TORX Machine Screw (TBTRX)  
*\* Specify door thickness if other than 1-3/4".*

### INSTALLATION ACCESSORIES

- Plate, 4110T-18

### SPECIAL TEMPLATE

- ST- \_\_\_\_\_



# 4000T SERIES

## FEATURES



The 4000T is a heavy duty closer to reliably control fire and smoke barrier doors with maximum swing of 90°. Designed for use with an SEM 7850 wall magnet.

- Cast Iron
- Forged Steel Arm
- Double Heat Treated Steel Pinion
- All Weather Fluid
- UL & cUL Listed

- 4000T Series closer is shipped with standard arm, standard track, track roller, standard plastic cover, and wood and machine screw pack. See 4000T Series page 69 for options.
- Sized cylinders for interior fire/smoke barrier doors to 4' 0".
- Closer mounts in a wall pocket, hinge side, on either right or left hand door.
- Standard or optional custom powder coat finish.
- Optional plated finish on metal cover, arm and fasteners.
- Optional SRI primer for installations in corrosive conditions is available with powder coat only.
- The 4000T Series is UL and cUL listed with a standard arm for self-closing doors.
- Tested and certified under ANSI Standard A156.4, grade one.

MOUNTING					FINISH		COVER		CYLINDER			**ARM FUNCTION										
HINGE (PULL SIDE)	TOP JAMB (PULL)	TOP JAMB (PUSH)	PARALLEL ARM	STOP FACE	POWDER COAT	PLATED	PLASTIC	METAL	NON-HANDED	NON-SIZED	ACCESSIBILITY	DELAYED ACTION	AVB***	REGULAR (DOUBLE)	STANDARD (SINGLE)	HOLD-OPEN	FUSIBLE LINK	EDA/HEDA	CUSH/HCUSH	SCUSH/SHCUSH	DOUBLE EGRESS	
●	○	○	○	○	●	●	●	●	○	○	○	○	○	○	○	○	○	○	○	○	○	○

● AVAILABLE  
○ NOT AVAILABLE

\*\* Maximum opening/hold-open point with standard template.  
\*\*\* Advanced Variable Backcheck.

# 4000T SERIES

## WALL POCKET MOUNTING

Cylinder mounts on wall.  
Track mounts on hinge side of door.

## MAXIMUM OPENING

Templating allows 90° only.  
Hold-open point 90° with magnet.

**Dimension 1** is the distance from the centerline of the closer shaft to the centerline of the hinge or pivot.

For pocket pivot or total door hinge, 9-1/2" (241 mm).

For butt hinge 8" (203 mm).

For center pivot 10" (254 mm).

**Dimension 2** is the distance from the centerline of the pivot or hinge to the cylinder mounting surface.

For pocket pivot 4-1/2" (114 mm).

For total door hinge 3-7/8" (98mm)

For butt hinge 2-7/8" (73 mm).

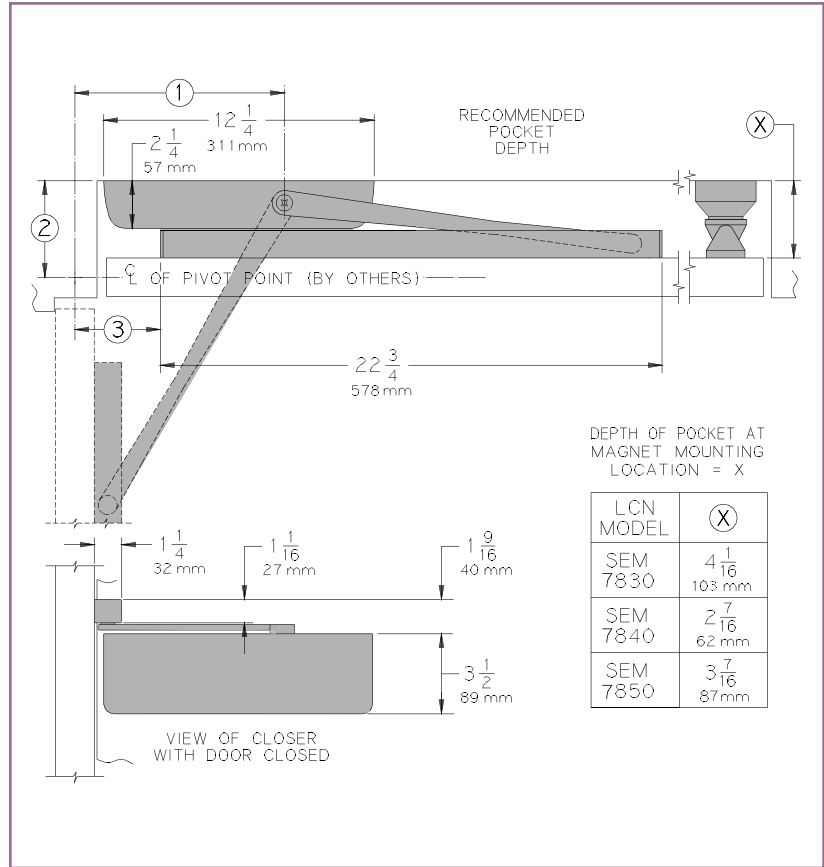
For center pivot 4-1/2" (114 mm).

**Dimension 3** is the distance from the centerline of the pivot or hinge to end of the track.

For pocket pivot or total door hinge, 3-7/8" (98mm).

For butt hinge 2-3/8" (60mm).

For center pivot 4-5/8" (117mm).



- **Butt Hinges**, Pocket Pivot, Total Door Hinge or Center Pivot are door mounting options.
- **Butt Hinges** should not exceed 5" (127 mm).
- **Pocket Depth**, See above table for distance required between door and closer mounting location. This dimension is measured from the cylinder mounting surface to the pull side face of the door at 90°.
- **Wall Magnet** SEM 7850 is recommended. Use of other magnets may require special construction to alter the depth of the pocket at the magnet location. See Fire Life Safety Section.

### Options

- Metal cover.

### Special Templates

Customized installation templates or products may be available to solve unusual applications. Contact LCN Product Support for assistance.

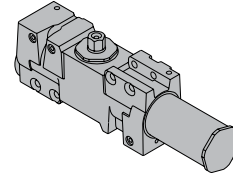
# 4000T SERIES

## CYLINDERS

### CYLINDER, 4000T-3071

Standard, non-handed cast iron cylinder assembly.

3071

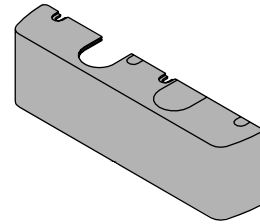


## COVERS

### COVER, 4000T-72

Standard, non-handed plastic cover.

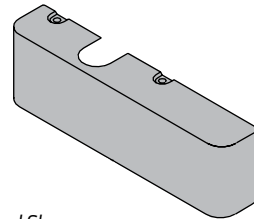
72



### METAL COVER, 4000T-72MC

Optional, handed cover. Required for plated and custom powder coat finishes.

72MC



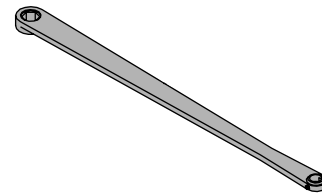
*Right Hand Shown*

## ARM

### STANDARD ARM, 4000T-3077T

Non-handed arm.

3077T

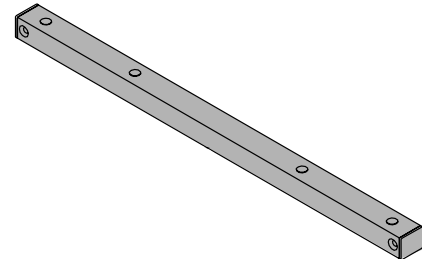


## TRACK

### STANDARD TRACK, 4000T-3038

Standard, non hold-open, non-handed track.  
Will not accept hold-open clip or bumper assembly.

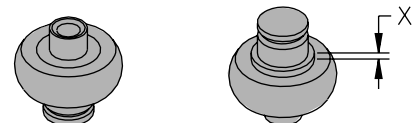
3038



### TRACK ROLLER, 4000T-3034

Quiet, low friction roller assembly.  
Shoulder Dimension "X" = 1/8" (3 mm).

3034

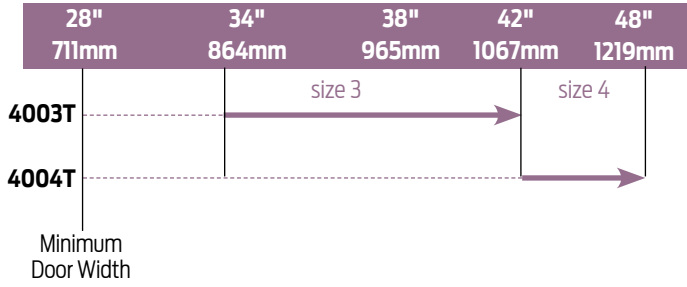


# 4000T SERIES

## TABLE OF SIZES

Select closer based on width of door.  
 4000T Series cylinders available in size 3 or 4.  
 Closing power of 4000T Series closers is not adjustable.

### INTERIOR DOOR WIDTH



→ Indicates recommended range of door width for closer size.

## HOW-TO-ORDER 4000T SERIES CLOSERS

### 1. SELECT CYLINDER SIZE

- 4003T
- 4004T

### 2. SELECT FINISH

- Standard Powder Coat \_\_\_\_\_  
 Aluminum, Dark Bronze, Statuary,  
 Light Bronze, Black, Brass.

### Closer will be shipped with:

- STANDARD COVER,
- STANDARD ARM,
- TRACK ROLLER,
- STANDARD TRACK,
- WOOD and MACHINE SCREW PACK  
*unless options listed below are selected.*

## CLOSER OPTIONS

### COVER

- Metal (MC)

### FINISH

- Custom Powder Coat (RAL) \_\_\_\_\_  
 (handed metal cover required)
- Plated Finish, US \_\_\_\_\_  
 (handed metal cover required)
- SRI primer (use with powder coat finishes only)

### SCREW PACK

- TB\*, Wood & Machine Screw (TBWMS)
- TORX Machine Screw (TORX)
- TB\* & TORX Machine Screw (TBTRX)  
*\*Specify door thickness if other than 1-3/4".*

### SPECIAL TEMPLATE

- ST- \_\_\_\_\_