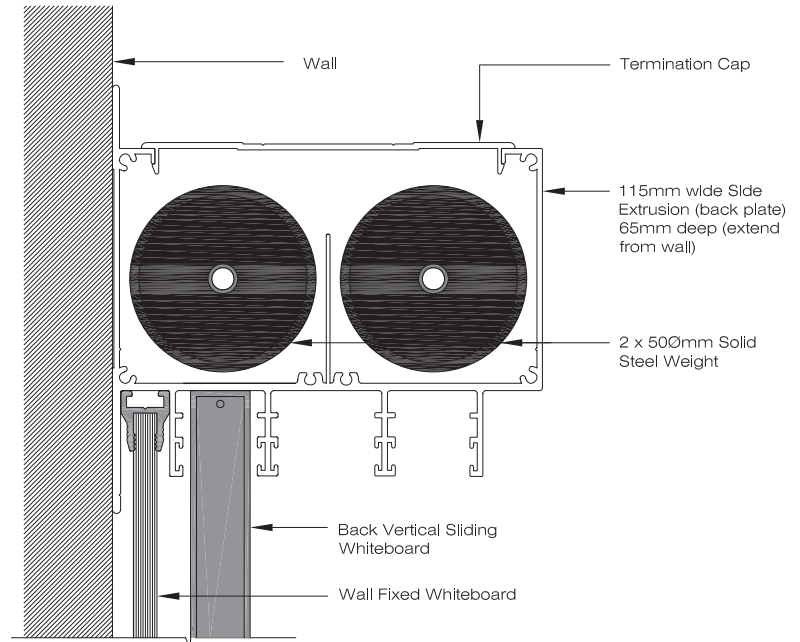
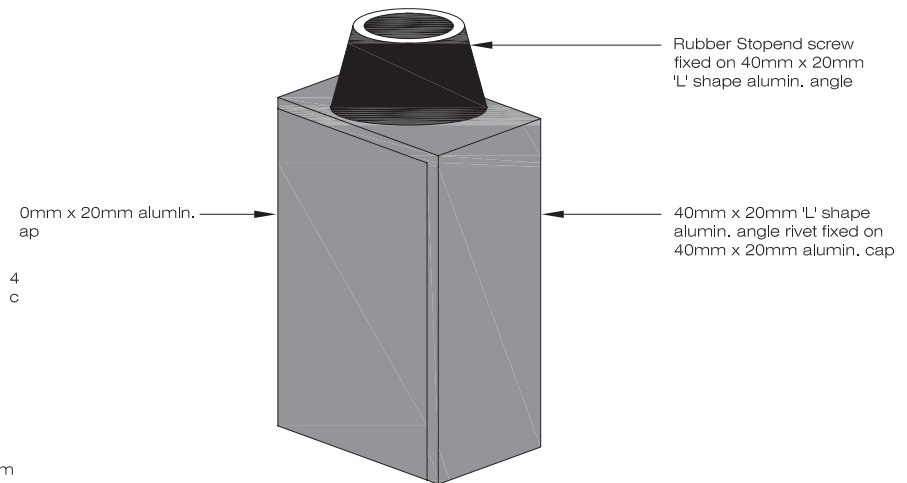


Axonometric View - (Pulley unit & Base plate)



Sectional Detail



Axonometric View - (Stopend)