

# Zenith HydroTap for the workplace

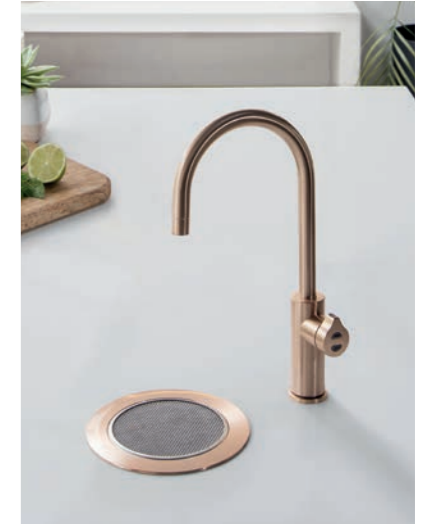


PURE-TASTING | INSTANT | **BOILING** | CHILLED | **SPARKLING**



POWERED BY  
**G5**  
TECHNOLOGY

Experience water at its best



Introduction	2
Water at its best	3 & 4
Classic Plus	7
Touch-Free Wave	8
Zenith Micro	9
UltraCare	10
G5 technology	11 & 12
Filtration technology	13
Healthier workplace	14
Widest range and finishes	15 & 16
Environmental product declaration	17
Safe and accessible	19
Zenith service difference	20
Zenith innovation history timeline	21 & 22

HydroTap Classic range	
Touch-Free Wave	25
Touch-Free Wave with Mixer	26
Classic Plus	27
Classic Plus with Mixer	28
Classic	29
Classic with Mixer	30
Classic All-In-One	31
Classic Industrial	32
Classic for accessibility	33

HydroTap Design range	
Arc	35
Arc with Mixer	36
Cube	37
Cube with Mixer	38
Elite Plus	39
Elite Plus with Mixer	40

HydroTap Celsius range	
Celsius All-In-One	41
Micro	42

Technical data	
Classic Plus	43
Touch-Free Wave	45
Classic	46
Industrial	48
Micro	48
UltraCare	48
Arc	49
Cube	50
Elite Plus	51
Celsius All-In-One	53
Technical information	54

Consumables and accessories	
Accessories	56
Installation accessories	56
HydroTap filters and CO <sub>2</sub>	57





## 70 years of innovation

Zenith Water is a wholly owned subsidiary of Zip Water. With unrivalled expertise in instant filtered boiling, chilled and sparkling water, Zenith Water is known globally for being home to the Zenith HydroTap, which dispenses pure-tasting water at the touch of a button.

Founded in Australia in 1947, we've always been innovators, advancing and perfecting our drinking water technology for decades. Today, we're proud to provide workplaces, in over 70 countries across the world with the purest tasting water possible from our range of Zenith HydroTaps.

Access the latest water filtration technology for pure-tasting water. Convenience at the touch of a button for instant boiled, chilled and sparkling water. Stylish designs and finishes to suit any kitchen and declutter bench space for efficiency. Keep up with the busy demands of a workplace with HydroTap technology. We provide drinking water solutions for all workplaces - offices, health and aged care facilities, small businesses and workplaces looking to reduce shared touchpoints.

Experience water at its best with Zenith HydroTap.

**Featured product**  
HydroTap Classic Plus in Chrome finish



# Experience water at its best with Zenith HydroTap

## Convenience of instant pure-tasting water at the touch of a button

Enjoy pure-tasting boiling, chilled and sparkling water flowing from the simplest of touches with the Zenith HydroTap G5. With sleek design and slick function powered by our most advanced technology, the HydroTap G5 has more personalised settings and features SteriTouch® for enhanced hygiene. It's not just water, it's water at its best.



FILTERED  
BOILING



FILTERED  
CHILLED



FILTERED  
SPARKLING



FILTERED  
AMBIENT



UNFILTERED  
HOT & COLD



POWERED BY  
**G5**  
TECHNOLOGY

## Powered by our latest G5 technology

Zenith HydroTap's superior filtration and compact, efficient design makes it the perfect water solution for any workspace.

Remove kettles from your benchtops. Eliminate refrigerated bottles of still and sparkling water. Save space, energy and money. Forget deliveries and storage of water cooler bottles.

The Zenith HydroTap is a convenient and practical way to offer your staff, customers and visitors fresh, pure-tasting water – instantly and safely.



# Experience water at its best with HydroTap in the workplace

Pure-tasting boiling, chilled and sparkling water in an instant, delivered seamlessly with a Zenith HydroTap. There is a HydroTap to suit any workplace.

## For the office workplace

Workplace productivity and wellbeing is vital to your team environment. Zenith HydroTap meets all your workplace water needs, in one elegant, easy-to-use system, using the latest technology so that it can keep up with a busy workplace. Introducing our latest addition to our flagship HydroTap range - Classic Plus.



## For touch-free workplaces

With an increased consideration around hygiene in the workplace, Zenith HydroTap Touch-Free Wave provides a 100% touch-free solution to instantly dispense pure-tasting drinking water with a simple wave of a hand.



## For the small workplace

Award winning Zenith Micro is our smallest ever drinking water system, designed to fit under almost any bench and keeps up to 10 people hydrated – the perfect solution for smaller offices.



## For health and aged care facilities

For health and aged care facilities, HydroTap UltraCare is proven to deliver a 99.9% reduction in Legionella\*.



\*ALS Pty Ltd Testing of the Zip HydroTap UltraCare system efficacy tests. Zenith brand used in New Zealand.



Featured product HydroTap Classic in Chrome finish

# Say hello to the new Classic Plus

## Sleek design meets slick function

With simple, intuitive controls including continuous flow to fill bottles and coming in seven ultra-modern finishes, HydroTap Classic Plus will offer instant hydration and convenience to any workplace.

## Smarter and sustainable

Customise your HydroTap G5 system by selecting energy modes and usage settings with the optimised new menu. With easy to change high quality filters, a Zenith HydroTap will support your sustainability ambitions and remove the need for bottled water in the workplace.

## Protection where it counts

Zenith HydroTap G5 has SteriTouch® antimicrobial protection impregnated within key water surfaces as well as on the new Classic Plus touch-pad for enhanced hygiene.



# Create a safer workplace with HydroTap Touch-Free Wave



Introducing Zenith HydroTap Touch-Free Wave, with smart infrared sensors that activate boiling, chilled and sparkling water.

With an increased consideration around hygiene in the workplace, new Zenith HydroTap Touch-Free Wave provides a 100% touch-free solution to instantly dispense pure-tasting drinking water with a simple wave of a hand.

## How it works

- Infrared smart sensors detect hand movements within 1.5 - 5cm in range of the tap
- Once the hand moves away, the water flow will stop
- All drinking water types will have a maximum run time of 15 seconds which is adjustable from the command centre
- Continuous flow to fill bottles with twin sensor activation

## Safety features

- Twin sensor activation for safe delivery of boiling water



- Dispensing will deactivate when the tap is touched or grabbed, allowing for safe cleaning



Wave right for chilled



Wave above for sparkling



Twin sensor activation for boiling



Infrared sensor



Touch-free activation



1.5-5cm sensor range



Deactivates when touched



# Zenith Micro, our smallest ever drinking water system



**37%\***  
narrower  
to fit under almost  
any bench

Zenith Micro is 37% narrower, perfect for small kitchens for up to 10 people, delivering perfectly **boiling** and **chilled** water at your fingertips.



**Designed with space in mind**  
Our smallest under-bench system footprint is 37%\* narrower.



**Optimised for up to 10 people**  
Keep up to 10 people hydrated with boiling only or boiling + chilled filtered water options.



**Easy to use**  
The Zenith Micro tap design comes with an integrated safety lock and uses an intuitive twist activation with auto and manual fill options. The underbench system comes with pre-configured settings and modes.



**Micro-filtration for pure tasting water**  
Zenith Micro uses the latest filtration technology for pure-tasting water. Zenith filters are certified to reduce bacteria, sediment, odours to NSF 42 (aesthetic effects) and NSF 53 (health effects).



## 2020 Gold Accolade Winner

in the Product Design Domestic Appliances category in recognition for outstanding design and innovation.

Zenith Micro is displayed with an optional font kit sold separately (includes 100mm extension and matching stand alone font).  
\*37% narrower than HydroTap BC20 underbench command centre. Zenith Micro is known as Zip Micro in Australia.

# The Zenith HydroTap UltraCare system is proven to deliver 99.9% reduction in Legionella\*

Zenith HydroTap UltraCare uses a combination of localised treatments and barriers that are proven as the most effective method of reducing waterborne organisms and pathogens including Legionella\*\*.

The barriers provided in the UltraCare system are:

- MicroPurity™ 0.2-micron carbon-free filtration
- SteriTouch® antimicrobial enhanced surfaces
- MicroPurity™ UV-C LED disinfection
- Life cycle maintenance plan
- Zenith HydroCare Gold+



\*ALS Pty Ltd Testing of the Zip HydroTap UltraCare system efficacy tests. Zenith brand used in New Zealand.  
\*\*ALS Pty Ltd Field trial testing on 5 sites in Queensland Health Sector of the Zip HydroTap UltraCare System in Australia. Zenith brand used in New Zealand.



# HydroTap, powered by new G5 technology

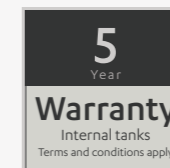
Leading the way in performance and functionality, Zenith's fifth generation G5 technology continues to deliver the convenience you would expect from a HydroTap.

Perfected over 70 years of development and innovation, HydroTap G5 transforms tap water into a form you will love, in an instant.

The G5 command centre is WaterMark approved, which means it is fit for purpose and appropriately authorised for use in plumbing and drainage installations.

## HydroTap product warranty

Zenith HydroTap G5 is backed by a 36 month comprehensive parts and labour warranty, plus a further 24 months on internal tanks.



### PowerPulse technology



Our innovative Zenith PowerPulse technology maintains stored boiling water to within 0.2°C of your set temperature, meaning no energy or time is wasted waiting for water to boil.

### Unique safety features



Zenith boiling water is delivered smoothly and the tap has a safety lock to facilitate safe boiling water delivery.

### Air-cooled system



Our unique air-cooled refrigeration system is 100% water efficient.

### Auto-diagnostics



An advanced auto-diagnostics system continuously monitors your HydroTap's performance.

### MicroPurity™ filtration



Inbuilt 0.2 micron NSF-certified filter incorporating innovative silver ion antimicrobial technology means healthier, pure-tasting water for your workplace.

### Smart Customisation



New optimised menu in the G5 HydroTap command centre allows you to select energy modes and usage settings for easier customisation.

### SteriTouch® antimicrobial protection



SteriTouch® is impregnated inside materials in contact with key water paths in HydroTap for added protection against surface bacteria.

### Touch-Free Technology



Zenith HydroTap Touch-Free Wave uses smart infrared sensors to activate the tap to dispense boiling, chilled and sparkling water, all without touching the tap.

### CO<sub>2</sub> level indicator



New feature in the command centre shows when CO<sub>2</sub> gas is running low.



# Pure-tasting filtered water with Zenith MicroPurity filtration

At Zenith Water, we put water quality at the heart of our offering, with perfectly filtered boiling, chilled and sparkling water instantly.

Our mission is to help our customers to enjoy pure-tasting water, on tap, all the time, and that is why only the best tasting water will do.

## Advanced filtration in every HydroTap system

Zenith MicroPurity uses the latest filtration technology to filter and reduce impurities and potentially harmful contaminants larger than 0.2 microns in size – an impurity that will fit 250 times into a strand of hair.

## Easy to maintain

We recommend regular filter changes to ensure you continue to enjoy pure-tasting water. Our MicroPurity filters are easy to change with a hygienic cartridge and our qualified service technicians can also perform filter changes for your convenience.

## Trust Zenith genuine filters

Every Zenith HydroTap system comes fitted with a genuine MicroPurity filter, certified to reduce contaminants.

Crystal clear pure-tasting water



**MICROPURITY™  
FILTRATION**

SAFELY FILTERS DOWN TO 0.2 MICRON

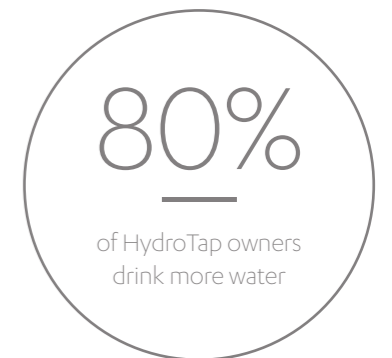


# Water for a healthier workplace

Workplace wellness and wellbeing is vital to your team remaining engaged and productive. Water plays a significant role in the function of the brain, so ensuring your staff have access to fresh, healthy water is essential.

Zenith Water research shows that 80% of Zenith HydroTap owners drink more water than before\*. Drinking more water offers a range of benefits, such as better concentration and less fatigue. Plus, the increased activity from getting up and moving around increases circulation, encourages the elimination of waste and toxins, and reduces the damaging effects of long periods of inactivity.

Zenith HydroTap meets all your workplace water solution needs, in one elegant, easy to use system.



\*Research carried out to 340 existing Zenith HydroTap customers

### Triple Action Technology

- 1. Removes particulates greater than 5 micron**  
Pleated membrane pre-filtration
- 2. Filter reduces particulates, lead, chlorine, taste, odour and cysts to 0.2 micron**  
0.2 micron Fibredyne carbon element including bacteriostatic effect
- 3. Reduces limescale build up**  
Limescale inhibitor

Zenith MicroPurity filters are certified to reduce chlorine, taste, odour, bacteria, sediment and limescale in line with NSF 42 (aesthetic effects) and WaterMark requirements.

Zenith MicroPurity filtration is also certified to deliver a reduction of 99.9% of cysts including cryptosporidium and giardia, and lead reduction of 98.9% to NSF 53 (health effects).

# Zenith HydroTap designs and finishes

1. Choose your preferred design

Available now



**NEW**  
Touch-Free Wave\*

**NEW**  
Classic Plus\*\*

Classic\*\*\*

Available on request^



Classic All-In-One\*

**NEW**  
Elite Plus~

Arc

Cube

Celsius All-In-One

2. Choose the finish

## Popular finish options

Whether you opt for a classic chrome or stylish matte black, our range of timeless popular finishes has been designed to sit seamlessly in a wide range of kitchen designs, from contemporary to traditional.



CHROME

BRUSHED CHROME

MATTE BLACK

## Platinum finish options^

Available on request, our platinum finish options include stylish metallic finishes, each stunning in its own right.



BRUSHED ROSE GOLD

BRUSHED GOLD

GUNMETAL

BRUSHED NICKEL

\* Available in Chrome and Matte Black

\*\* Available now in popular finish options and platinum finish options available on request

\*\*\* Available only in popular finish options

~ Available September 2021

^ Talk to your Zenith sales representative to discuss your requirements or visit [zenithwater.co.nz](http://zenithwater.co.nz)



# Environmentally responsible

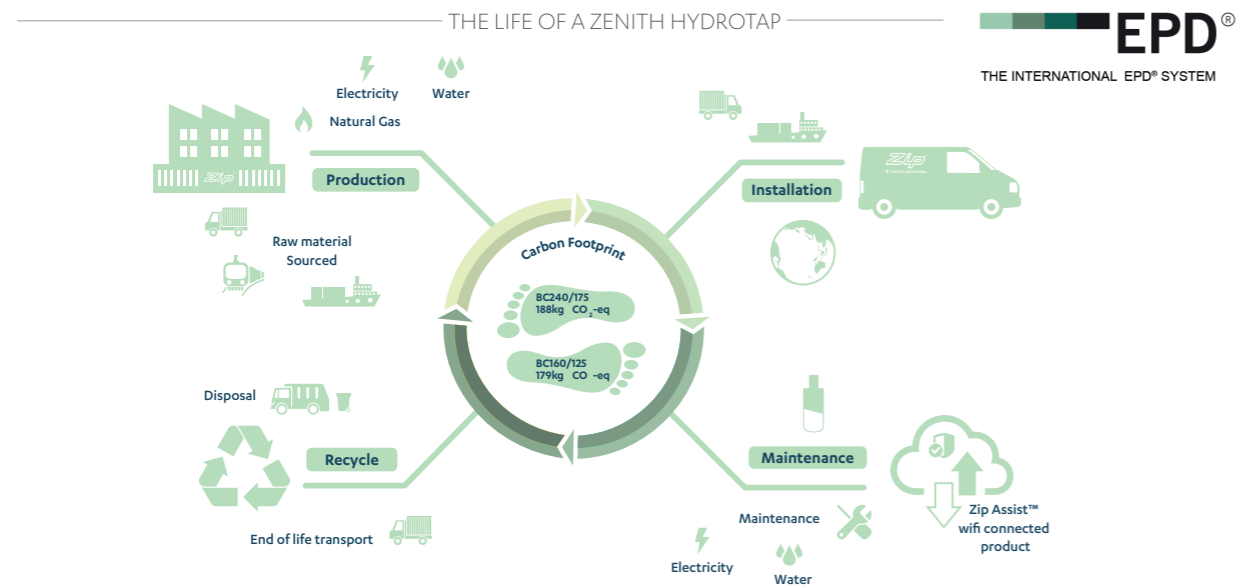
## Independently verified Environmental Product Declaration

In another first for the world leaders in instant drinking water systems, Zenith Water's parent company Zip Water Australia has released an internationally recognised and independently verified Environmental Product Declaration (EPD) for its HydroTap products. Developed with leading sustainability consulting company, **thinkstep\***, it is the first EPD for an electrical product in Australasia, clearly demonstrating Zenith's innovative and forward-thinking approach.

The HydroTap EPD details the environmental impact of the product throughout its life cycle, from the production and processing of raw materials, to manufacturing, distribution, installation, ongoing usage, maintenance and filter changing, right down to the end of the product's life.

Australians buy **over 580 MILLION** litres of bottled water a year.

Much of which ends up in **LANDFILL** and on our **BEACHES#**



### Responsible manufacturing

Organisational dedication to sustainability



### Innovative air-cooled technology

Making HydroTap 100% water efficient



### Low impact design

Complies with RoHS EU Directive 2002/95/EC



### Smart energy saving modes

Time switch adheres to the Building Code of Australia



### World class environmental credentials

Providing transparent product life cycle impact



### Eliminates the need for bottled water

Reducing your environmental impact



## Sustainable manufacturing

Zenith Water products are Australian made in Condell Park, New South Wales by parent company Zip Water and exported to the rest of the world. Our manufacturing adheres to the highest standards of environmental responsibility and ensures the Zenith HydroTap is manufactured sustainably.

**ISO14001** is about much more than just designing an energy efficient product. It is complete organisational dedication to sustainable environmental management and ensures genuine commitment to a sound environment management system.

Zip Water is the only Australian manufacturer in our category to be accredited with all of the following internationally recognised standards:

#### ISO14001 –

Environmental Systems compliance and independently audited standards



#### ISO9001 –

Quality Management System



#### AS/NZS 4801

Workplace Health and Safety System



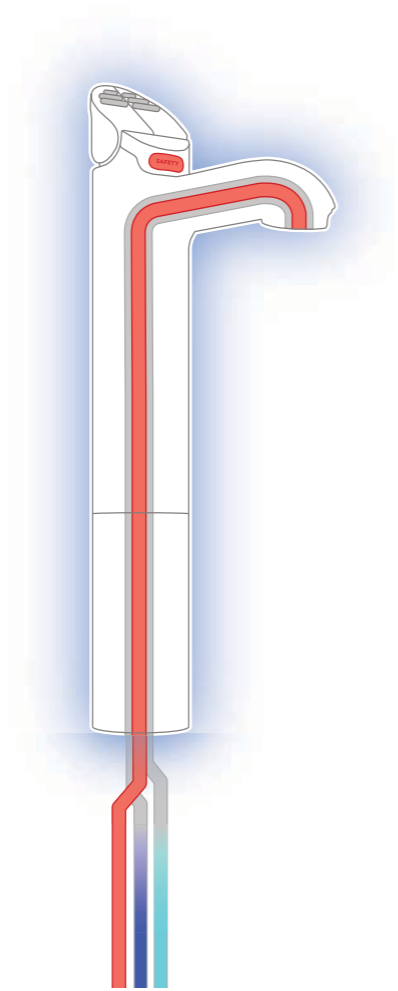
#oceanrangers.org/plastic-crusades/plastic-statistics/  
\*Thinkstep certified life cycle assessment and EPD verifiers - www.thinkstep-anz.com

## Safe and accessible

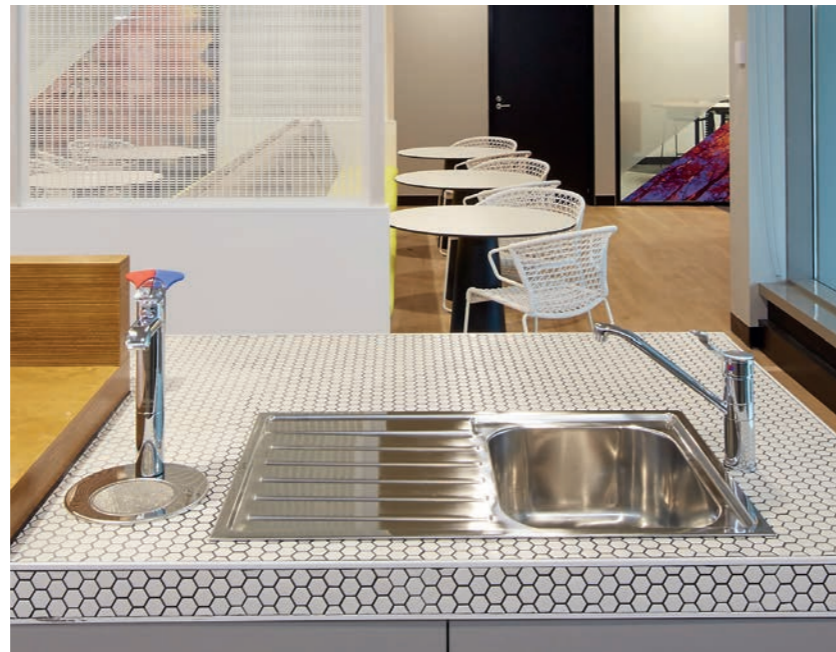
All Zenith products are designed to be completely safe and easy to use, with unique boiling water safety locks and cool touch technology. You can be confident that the end user can operate our systems safely, without needing to worry about spluttering steam.

For users with limited mobility or impaired vision, Zenith HydroTap Classic is also available with accessible levers. The oversized levers incorporates braille into the colour coded red and blue options to indicate boiling or chilled drinking water.

Accessible levers sold separately.  
Compatible with HydroTap Classic only.



**Featured product**  
HydroTap Classic with oversized levers and braille covers.



## The Zenith service difference



Our highly skilled network of mobile technicians and friendly customer service team are here to help keep your Zenith products in top working order. Our expert technicians install HydroTaps across residential and commercial kitchens, and we maintain all drinking water systems.

### Full national coverage

Zenith water employs direct factory trained service technicians offering installation and ongoing filter and CO<sub>2</sub> changes, plus over 50 trained service agents covering the North and South Islands.

### Fast and efficient

Every Zenith service technician carries a range of spare parts, genuine filters and CO<sub>2</sub> cannisters to repair on first time attendance, which means you can get back to enjoying your fresh, filtered water in no time.

### Professional repairs and maintenance

Zenith technicians are highly skilled, specialised and factory trained with years of experience to ensure you receive efficient, reliable and prompt service and repairs.

### Customer satisfaction

We aim to provide our customers with professional care at a high standard and take pride on our level of service.

### Let Zenith take care of the installation

Zenith Water offers an installation service, with a national fleet of skilled service technicians who can install your HydroTap in any kitchen.

Our service technicians will make sure your HydroTap is up and running in no time and includes stone cutting for tap and font installation.

Our service technicians can also help maintain your HydroTap, with a simple online booking form on [www.zenithwater.co.nz](http://www.zenithwater.co.nz)

### Preventative maintenance plans

For ultimate peace of mind, Zenith Water offers professional care of your system with a comprehensive range of HydroCare packages covering every maintenance requirement.

With everything you need to enjoy pure-tasting water, HydroCare ensures your HydroTap not only remains in perfect condition but operates at peak performance.

\*Available in metro areas only where suitable power and water are available within 1 metre of the installation location, excludes cutting of fixtures and major plumbing modifications



# A history of drinking water innovation for over 70 years

Zenith Water is a world-leading designer and manufacturer of instant boiling, chilled and sparkling filtered water solutions. Zenith Water's parent company Zip Water invests in Australian-based innovation design and world-class manufacturing to continually enhance water quality, functionality, energy efficiency and aesthetic appeal. Recognised as a global innovator, Zenith Water's products are sought after and installed in over 75 countries worldwide, providing homes and workplaces with the purest-tasting, safest and cleanest water possible.



<p><b>1947</b> Zip founded in Australia as manufacturer of sink and bath heaters</p>	<p><b>1975</b> Zip invents the world's first small On-Wall instant boiling water system</p>	<p><b>1980</b> World's first small on-wall instant boiling water system installed</p>	<p><b>1984</b> Zip Miniboil wins Australian design award</p>	<p><b>1988</b> Zip TeaTap specified into Parliament House Canberra</p>	<p><b>1991</b> Zip opens in the United Kingdom and soon wins a place in 10 Downing Street</p>	<p><b>1993</b> Zip upgrades technology for Hydroboil On-Wall instant boiling water</p>	<p><b>1996</b> Zip launches HydroTap underbench instant boiling water</p>	<p><b>2004</b> Zip HydroTap redesigned wins Australian Design Mark</p>	<p><b>2007</b> Zip introduces advanced electronically controlled Hydroboil</p>	<p><b>2012</b> Zip introduces world's first boiling, chilled and sparkling water on tap</p>
<p><b>1947</b> ————— <b>2021</b></p>										
<p><b>2014</b> Zip introduces G4, the fourth generation of HydroTap</p>	<p><b>2015</b> Zip introduces three new styles with Design Range launch and wins Good Design Award</p>	<p><b>2016</b> Zip introduces eight new Platinum finishes Zip launches Zip Assist wifi connected HydroTap</p>	<p><b>2017</b> Zip introduces Celsius All-in-One Arc and wins Good Design Award</p>	<p><b>2018</b> Zip introduces HydroChill high capacity sparkling water systems</p>	<p><b>2019</b> Zip launches Micro, our smallest drinking water system and wins Good Design Award in 2020</p>	<p><b>2020</b> Zip launches HydroTap Touch-Free Wave, contactless &amp; instant delivery of pure-tasting water</p>	<p><b>2021</b> Zip launches HydroTap G5, the fifth generation of HydroTap and HydroTap UltraCare for health and aged care facilities</p>			



ZENITH HYDROTAP COMMERCIAL

# HydroTap range



**Featured product**

Opposite Page - HydroTap Classic Chrome finish  
Top Right - HydroTap Classic Plus in Chrome finish  
Bottom Right - HydroTap Touch-Free Wave in Chrome finish



# Touch-Free Wave

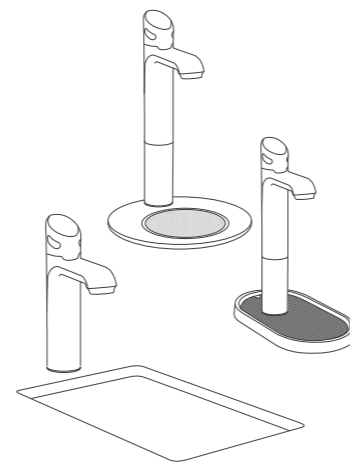
**Featured product**  
HydroTap Touch-Free Wave  
in Chrome finish

For workplaces looking to reduce shared touchpoints. Zenith HydroTap Touch-Free Wave provides a 100% touch-free solution to instantly dispense pure-tasting drinking water with a simple wave of a hand.



Available water options & finishes:

FILTERED: <b>BOILING</b> <b>CHILLED</b> <b>SPARKLING</b>	FILTERED: <b>BOILING</b> <b>CHILLED</b>	FILTERED: <b>CHILLED</b> <b>SPARKLING</b>	FILTERED: <b>CHILLED</b>	FILTERED: <b>BOILING</b> <b>AMBIENT</b>	FILTERED: <b>BOILING</b>



HydroTap Touch-Free Wave can be installed over sink or optional front.



Available in Chrome and Matte Black

# Touch-Free Wave with Mixer

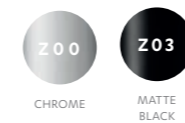
**Featured product**  
HydroTap Touch-Free Wave with Arc Mixer  
installed over sink in Chrome finish

Designed for situations with only a cold water supply. Perfect for workplace kitchens that require a mixer tap and a Zenith HydroTap in the same area as well as hot water to the sink.

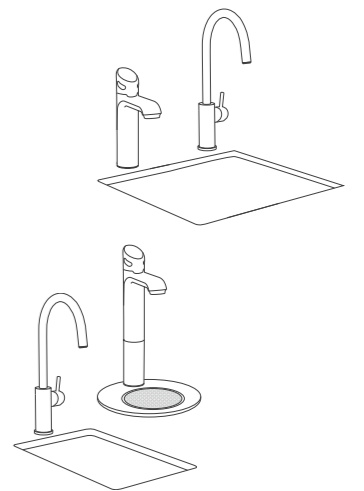


Available water options & finishes:

FILTERED: <b>BOILING</b> <b>CHILLED</b> <b>SPARKLING</b>	UNFILTERED: <b>HOT &amp; COLD</b>	FILTERED: <b>BOILING</b> <b>CHILLED</b>	UNFILTERED: <b>HOT &amp; COLD</b>
5-In-1		4-In-1	



Available in Chrome and Matte Black



HydroTap Touch-Free Wave can be installed over sink or optional front



# Classic Plus

**Featured product**  
HydroTap Classic Plus installed over sink  
in Chrome finish

Offering boiling, chilled and sparkling water in a modern design with intuitive controls.



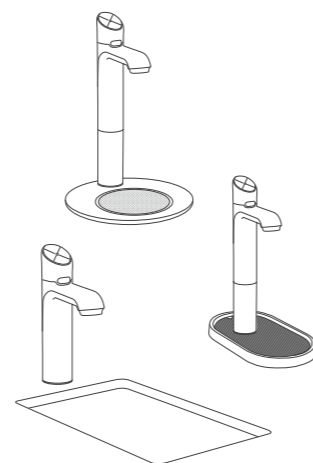
Available water options & finishes:

FILTERED: <b>BOILING</b> CHILLED SPARKLING	FILTERED: <b>BOILING</b> CHILLED	FILTERED: <b>CHILLED</b> SPARKLING	FILTERED: <b>CHILLED</b>	FILTERED: <b>BOILING</b> AMBIENT	FILTERED: <b>BOILING</b>

POPULAR



PLATINUM - AVAILABLE ON REQUEST



HydroTap Classic Plus can be installed over sink or optional font.

# Classic Plus with Mixer

**Featured product**  
HydroTap Classic Plus with Arc Mixer  
installed over sink in Matte Black finish

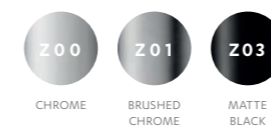
Designed for situations with only a cold water supply. Perfect for workplace kitchens that require a mixer tap and a Zenith HydroTap in the same area as well as hot water to the sink.



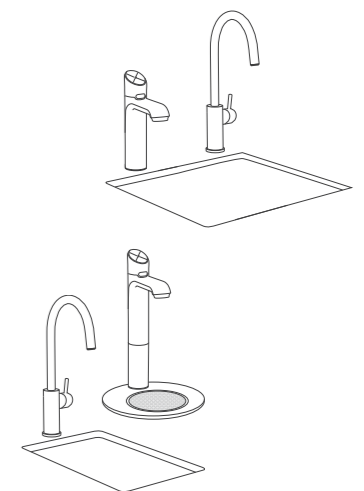
Available water options & finishes:

FILTERED: <b>BOILING</b> CHILLED SPARKLING	UNFILTERED: <b>HOT &amp; COLD</b>	FILTERED: <b>BOILING</b> CHILLED	UNFILTERED: <b>HOT &amp; COLD</b>	FILTERED: <b>BOILING</b>	FILTERED: <b>HOT &amp; COLD</b>
5-In-1		4-In-1		3-In-1	

POPULAR



PLATINUM - AVAILABLE ON REQUEST



HydroTap Classic Plus can be installed over sink or optional font.



# Classic

**Featured product**  
HydroTap Classic installed with optional font  
in Chrome finish

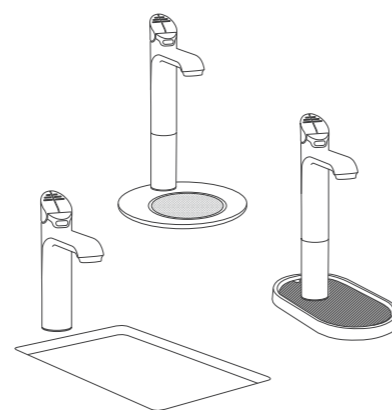
Offering the choice of instant filtered boiling, chilled or sparkling water, or all three in any combination, the iconic design of HydroTap Classic remains a much-loved and popular choice suited to any workplace.



Available water options & finishes:

FILTERED: <b>BOILING</b> CHILLED SPARKLING	FILTERED: <b>BOILING</b> CHILLED	FILTERED: <b>CHILLED</b> SPARKLING	FILTERED: <b>CHILLED</b>	FILTERED: <b>BOILING</b> AMBIENT	FILTERED: <b>BOILING</b>

POPULAR



HydroTap Classic can be installed over sink or optional font

# Classic with Mixer

**Featured product**  
HydroTap Classic with Arc Mixer installed over sink  
in Chrome finish

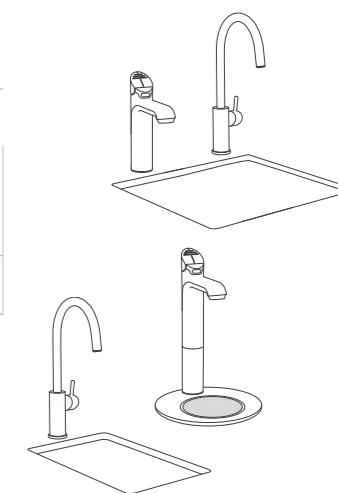
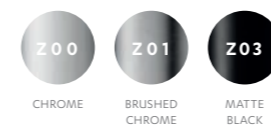
Designed for situations with only a cold water supply. Perfect for workplace kitchens that require a mixer tap and a Zenith HydroTap in the same area as well as hot water to the sink.



Available water options & finishes:

FILTERED: <b>BOILING</b> CHILLED SPARKLING	UNFILTERED: <b>HOT &amp; COLD</b>	FILTERED: <b>BOILING</b> CHILLED	UNFILTERED: <b>HOT &amp; COLD</b>	FILTERED: <b>BOILING</b>	FILTERED: <b>HOT &amp; COLD</b>
5-In-1		4-In-1		3-In-1	

POPULAR



HydroTap Classic can be installed over sink or optional font



# Classic All-In-One

**Featured product**  
HydroTap Classic All-In-One installed over sink  
in Chrome finish

Tap design and finishes available on request only

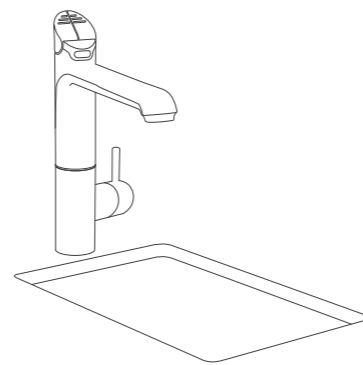
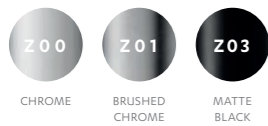
The HydroTap Classic All-In-One offers filtered boiling, chilled and sparkling water, plus unfiltered hot and cold water from a single tap.



Available water options & finishes:

<b>FILTERED:</b> <b>BOILING</b> <b>CHILLED</b> <b>SPARKLING</b>	<b>UNFILTERED:</b> <b>HOT &amp; COLD</b>	<b>FILTERED:</b> <b>BOILING</b> <b>CHILLED</b>	<b>UNFILTERED:</b> <b>HOT &amp; COLD</b>

POPULAR



HydroTap Classic All-In-One can be installed over sink only

# Classic Industrial

**Featured product**  
HydroTap Classic Industrial installed on  
optional font in Chrome finish

Tap design available on request

For Industrial and Correctional Facilities. Designed with strength and security, the Classic Industrial is proven under the toughest industrial and institutional conditions.



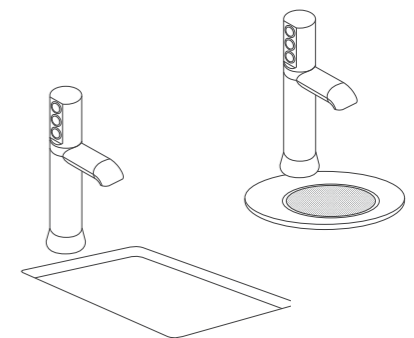
Available water options & finishes:

<b>FILTERED:</b> <b>BOILING</b> <b>CHILLED</b>	<b>FILTERED:</b> <b>BOILING</b>

POPULAR



High strength vandal resistant tapered base



HydroTap Classic Industrial can be installed over sink or optional font



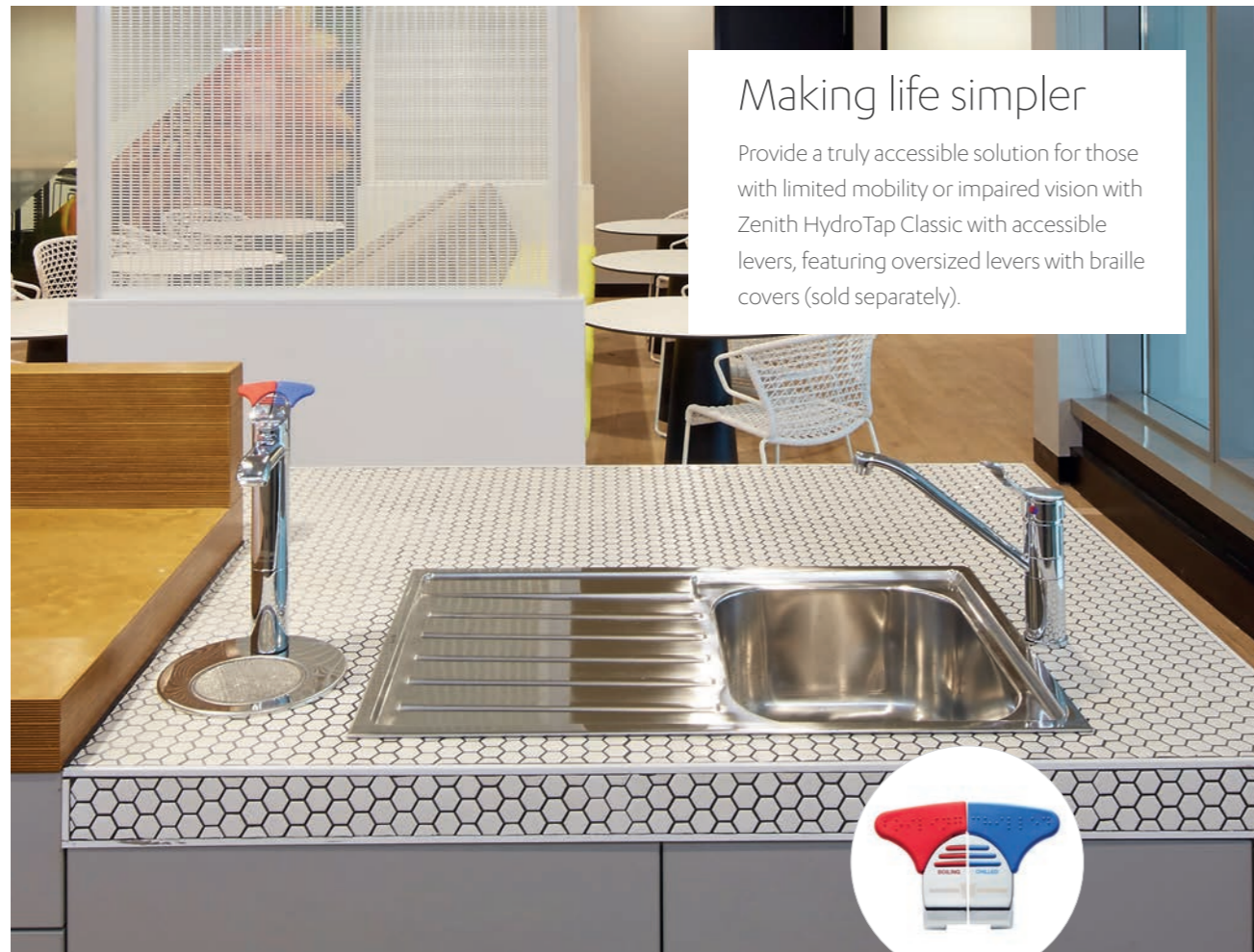
# Classic for accessibility

Tap design available on request.

Classic for accessibility is designed for users with limited mobility or impaired vision. Accessible levers can be added to a HydroTap Classic and are sold separately.

**Featured product**

HydroTap Classic with accessibility levers installed with optional font in Chrome finish



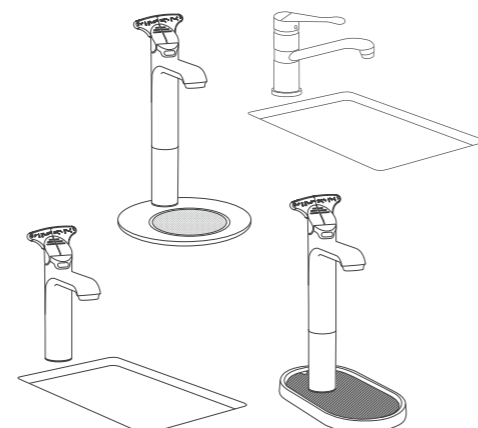
**Making life simpler**  
 Provide a truly accessible solution for those with limited mobility or impaired vision with Zenith HydroTap Classic with accessible levers, featuring oversized levers with braille covers (sold separately).



Oversized colour coded braille tap levers

Available water options & finishes:

FILTERED: <b>BOILING</b> CHILLED SPARKLING	FILTERED: <b>BOILING</b> CHILLED	FILTERED: <b>CHILLED</b> SPARKLING	FILTERED: <b>CHILLED</b>	FILTERED: <b>BOILING</b> AMBIENT	FILTERED: <b>BOILING</b>



HydroTap Classic with accessibility levers can be installed over sink or optional font

POPULAR

- Z00

CHROME
- Z01

BRUSHED CHROME
- Z03

MATTE BLACK



Featured product Zenith HydroTap Classic Plus in Brushed Chrome finish



# Arc

Tap design and finishes available on request only

With an elegant curved shape, the Zenith HydroTap Arc will complement any contemporary office or corporate space – available in boiling, chilled or sparkling water, or all three in any combination.

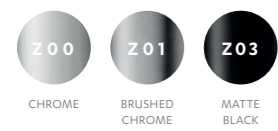
**Featured product**  
HydroTap Arc installed with optional font  
in Brushed Gold finish



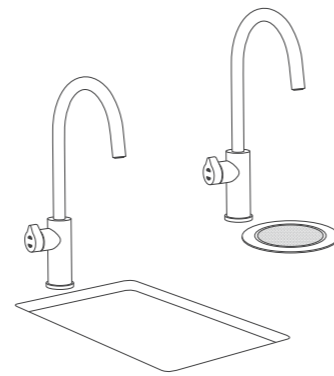
Available water options & finishes:

<b>FILTERED:</b> <b>BOILING</b> <b>CHILLED</b> <b>SPARKLING</b>	<b>FILTERED:</b> <b>BOILING</b> <b>CHILLED</b>	<b>FILTERED:</b> <b>CHILLED</b> <b>SPARKLING</b>	<b>FILTERED:</b> <b>CHILLED</b>	<b>FILTERED:</b> <b>BOILING</b> <b>AMBIENT</b>	<b>FILTERED:</b> <b>BOILING</b>

POPULAR



PLATINUM



HydroTap Arc can be installed over sink or optional font

# Arc with Mixer

Tap design and finishes available on request only

Designed for situations with only a cold water supply. Perfect for workplace kitchens that require a mixer tap and a Zenith HydroTap in the same area.

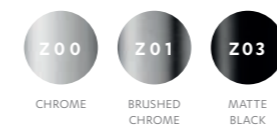
**Featured product**  
HydroTap Arc installed with optional font and Arc  
Mixer over sink in Chrome finish



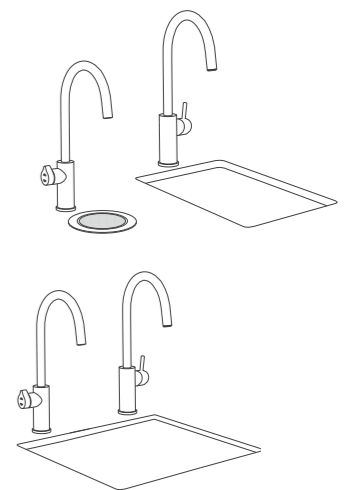
Available water options & finishes:

<b>FILTERED:</b> <b>BOILING</b> <b>CHILLED</b> <b>SPARKLING</b>	<b>UNFILTERED:</b> <b>HOT &amp; COLD</b>	<b>FILTERED:</b> <b>BOILING</b> <b>CHILLED</b>	<b>UNFILTERED:</b> <b>HOT &amp; COLD</b>	<b>FILTERED:</b> <b>BOILING</b>	<b>FILTERED:</b> <b>HOT &amp; COLD</b>
5-In-1		4-In-1		3-In-1	

POPULAR



PLATINUM



HydroTap Arc can be installed over sink or optional font



# Cube

Tap design and finishes available on request only

The stylish Zenith HydroTap Cube is both a source of inspiration and a source of wellness – available in boiling, chilled or sparkling water, or all three in any combination.

**Featured product**

HydroTap Cube installed with optional font in Gunmetal finish



# Cube with Mixer

Tap design and finishes available on request only

Designed for situations with only a cold water supply. Perfect for workplace kitchens that require a mixer tap and a Zenith HydroTap in the same area.

**Featured product**

HydroTap Cube installed with Cube Mixer in Matte Black finish



Available water options & finishes:

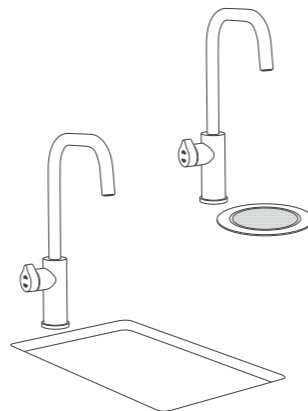
FILTERED: <b>BOILING</b> <b>CHILLED</b> <b>SPARKLING</b>	FILTERED: <b>BOILING</b> <b>CHILLED</b>	FILTERED: <b>CHILLED</b> <b>SPARKLING</b>	FILTERED: <b>CHILLED</b>	FILTERED: <b>BOILING</b> <b>AMBIENT</b>	FILTERED: <b>BOILING</b>

POPULAR

- Z00  
CHROME
- Z01  
BRUSHED CHROME
- Z03  
MATTE BLACK

PLATINUM

- Z05  
BRUSHED ROSE GOLD
- Z07  
BRUSHED GOLD
- Z09  
GUNMETAL
- Z11  
BRUSHED NICKEL



HydroTap Cube can be installed over sink or optional font

Available water options & finishes:

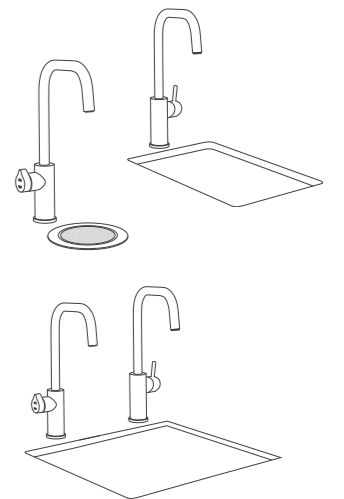
FILTERED: <b>BOILING</b> <b>CHILLED</b> <b>SPARKLING</b>	UNFILTERED: <b>HOT &amp; COLD</b>	FILTERED: <b>BOILING</b> <b>CHILLED</b>	UNFILTERED: <b>HOT &amp; COLD</b>	FILTERED: <b>BOILING</b>	FILTERED: <b>HOT &amp; COLD</b>
5-In-1		4-In-1		3-In-1	

POPULAR

- Z00  
CHROME
- Z01  
BRUSHED CHROME
- Z03  
MATTE BLACK

PLATINUM

- Z05  
BRUSHED ROSE GOLD
- Z07  
BRUSHED GOLD
- Z09  
GUNMETAL
- Z11  
BRUSHED NICKEL



HydroTap Cube can be installed over sink or optional font

# Elite Plus

Tap design and finishes available on request only

Form meets function with the sophisticated and innovative Zenith HydroTap Elite Plus – available in boiling, chilled or sparkling water, or all three in any combination.

**Featured product**  
HydroTap Elite Plus installed over sink in Matte Black finish



# Elite Plus with Mixer

Tap design and finishes available on request only

Designed for situations with only a cold water supply. Perfect for workplace kitchens that require a mixer tap and a Zenith HydroTap in the same area.

**Featured product**  
HydroTap Elite Plus with Arc Mixer installed over sink in Brushed Chrome finish

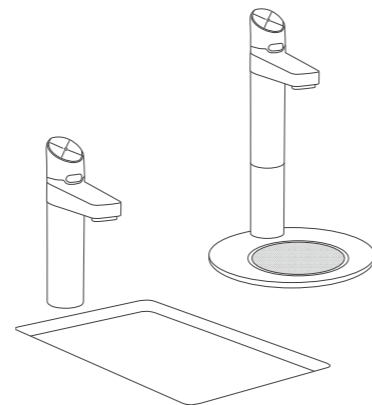


<p>The more stars the more water efficient</p> <p><b>WATER RATING</b></p> <p>www.waterrating.gov.au</p> <p><b>3.0</b> litres per minute</p> <p>In accordance with AS/NZS 6400</p> <p>Licence No. 0086</p> <p>Zip Hoses (Aust) Pty Ltd</p> <p>Classic Mixer</p>	<p>The more stars the more water efficient</p> <p><b>WATER RATING</b></p> <p>www.waterrating.gov.au</p> <p><b>5.5</b> litres per minute</p> <p>In accordance with AS/NZS 6400</p> <p>Licence No. 0086</p> <p>Zip Hoses (Aust) Pty Ltd</p> <p>Arc &amp; Cube Mixer</p>
--	---

Available water options & finishes:

FILTERED: <b>BOILING</b> <b>CHILLED</b> <b>SPARKLING</b>	FILTERED: <b>BOILING</b> <b>CHILLED</b>	FILTERED: <b>CHILLED</b> <b>SPARKLING</b>	FILTERED: <b>CHILLED</b>	FILTERED: <b>BOILING</b> <b>AMBIENT</b>	FILTERED: <b>BOILING</b>

<b>POPULAR</b>	<b>PLATINUM</b>
<div style="display: flex; gap: 10px;"> <div style="text-align: center;"> <p>Z00 CHROME</p> </div> <div style="text-align: center;"> <p>Z01 BRUSHED CHROME</p> </div> <div style="text-align: center;"> <p>Z03 MATTE BLACK</p> </div> </div>	<div style="display: flex; gap: 10px;"> <div style="text-align: center;"> <p>Z05 BRUSHED ROSE GOLD</p> </div> <div style="text-align: center;"> <p>Z07 BRUSHED GOLD</p> </div> <div style="text-align: center;"> <p>Z09 GUNMETAL</p> </div> <div style="text-align: center;"> <p>Z11 BRUSHED NICKEL</p> </div> </div>

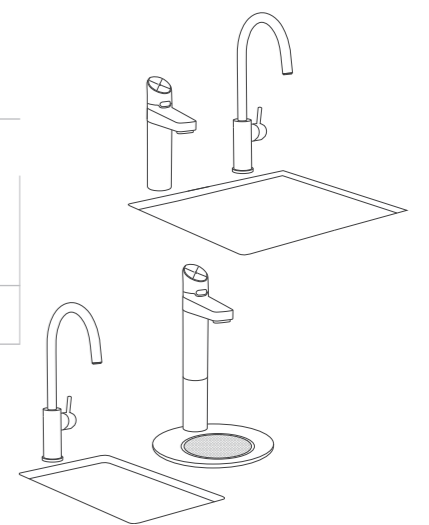


HydroTap Elite Plus can be installed over sink or optional front

Available water options & finishes:

FILTERED: <b>BOILING</b> <b>CHILLED</b> <b>SPARKLING</b>	UNFILTERED: <b>HOT &amp; COLD</b>	FILTERED: <b>BOILING</b> <b>CHILLED</b>	UNFILTERED: <b>HOT &amp; COLD</b>	FILTERED: <b>BOILING</b>	FILTERED: <b>HOT &amp; COLD</b>
5-In-1		4-In-1		3-In-1	

<b>POPULAR</b>	<b>PLATINUM</b>
<div style="display: flex; gap: 10px;"> <div style="text-align: center;"> <p>Z00 CHROME</p> </div> <div style="text-align: center;"> <p>Z01 BRUSHED CHROME</p> </div> <div style="text-align: center;"> <p>Z03 MATTE BLACK</p> </div> </div>	<div style="display: flex; gap: 10px;"> <div style="text-align: center;"> <p>Z05 BRUSHED ROSE GOLD</p> </div> <div style="text-align: center;"> <p>Z07 BRUSHED GOLD</p> </div> <div style="text-align: center;"> <p>Z09 GUNMETAL</p> </div> <div style="text-align: center;"> <p>Z11 BRUSHED NICKEL</p> </div> </div>



HydroTap Elite Plus can be installed over sink or optional front



# Celsius All-In-One

Tap design and finishes available on request only

The ultimate in functionality, the All-In-One Celsius Arc is fitted over your sink and offers all five water types – filtered boiling, chilled and sparkling drinking water, plus unfiltered hot and cold water – from a single tap.

**Featured product**

HydroTap Celsius All-In-One installed over sink in Chrome finish



\*This product needs a hot and cold water supply

Available water options & finishes:

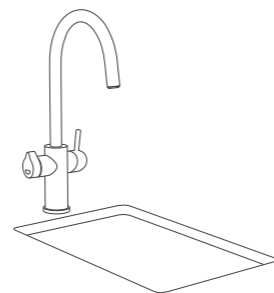
<p><b>FILTERED:</b>  <b>BOILING</b>  <b>CHILLED</b>  <b>SPARKLING</b></p>	<p><b>UNFILTERED:</b>  <b>HOT &amp; COLD</b></p>	<p><b>FILTERED:</b>  <b>BOILING</b>  <b>CHILLED</b></p>	<p><b>UNFILTERED:</b>  <b>HOT &amp; COLD</b></p>
---	--	---	--

POPULAR

- Z00**  
CHROME
- Z01**  
BRUSHED CHROME
- Z03**  
MATTE BLACK

PLATINUM

- Z05**  
BRUSHED ROSE GOLD
- Z07**  
BRUSHED GOLD
- Z09**  
GUNMETAL
- Z11**  
BRUSHED NICKEL



HydroTap Celsius All-In-One can be installed over sink only

# Micro

Tap design available on request only

Zenith Micro is our smallest system, designed to fit under almost any bench, but still delivers perfectly boiling and chilled water at your fingertips. Zenith Micro is perfect for small workplaces with up to 10 people.

**Featured product**

HydroTap Micro installed over sink in Chrome finish



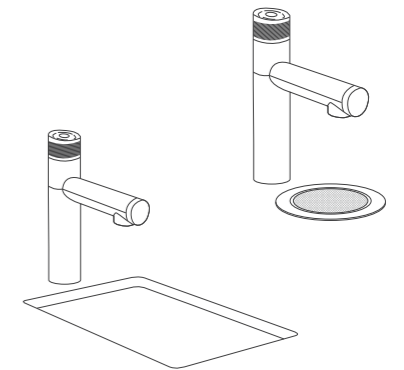
2020 Gold Accolade Winner in the Product Design Domestic Appliances category in recognition for outstanding design and innovation Zenith Micro is known as Zip Micro in Australia.

Available water options & finishes:

<p><b>FILTERED:</b>  <b>BOILING</b>  <b>CHILLED</b></p>	<p><b>FILTERED:</b>  <b>BOILING</b></p>
---	---

POPULAR

- Z00**  
CHROME
- Z03**  
MATTE BLACK



HydroTap Micro can be installed over sink or optional font

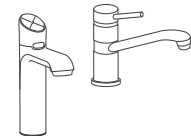
# Commercial HydroTap

CLASSIC PLUS



ORDER CODE	NO. PEOPLE	MODEL	WATER OPTIONS	CUPS PER HOUR	GLASSES PER HOUR	SIZE* H x W x D (mm)
H55760Z00NZ	20	BCS		100	75	333 x 339 x 460
H55762Z00NZ	60			160	175	333 x 395 x 464
H55763Z00NZ	100			240*	175	333 x 395 x 464
H55702Z00NZ	20	BC		100	75	333 x 280 x 455
H55703Z00NZ	40			160	125	333 x 395 x 464
H55704Z00NZ	60			160	175	333 x 395 x 464
H55705Z00NZ	100			240*	175	333 x 395 x 464
H55708Z00NZ	60	BA		160	-	333 x 280 x 313
H55709Z00NZ	100			240*	-	333 x 280 x 313
H55706Z00NZ	60	B		160	-	333 x 280 x 313
H55707Z00NZ	100			240*	-	333 x 280 x 313
H55765Z00NZ	100	CS		-	150	333 x 280 x 480
H55710Z00NZ	40	C		-	125	333 x 280 x 476
H55711Z00NZ	100			-	150	333 x 280 x 476

CLASSIC PLUS WITH CLASSIC MIXER



H55675Z00NZ	60	BCSHA		160	175	333 x 395 x 464
H55676Z00NZ	100			240*	175	333 x 395 x 464
H55622Z00NZ	40	BCHA		160	125	333 x 395 x 464
H55623Z00NZ	60			160	175	333 x 395 x 464
H55624Z00NZ	100			240*	175	333 x 395 x 464

AVAILABLE IN:

POPULAR

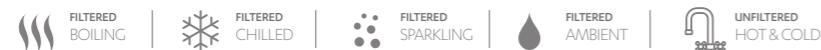


PLATINUM - AVAILABLE ON REQUEST



Order code listed above is for Chrome finish. To select a different finish, replace Z00 with the relevant colour code. For example, HydroTap GS BCS20 Classic Plus in a Matte Black finish use code H55760Z03NZ.

KEY TO ICONS



\*240 boiling cup per hour models include additional Booster and require 2 x 10 amp power GPOs. Refer to [www.zenithwater.co.nz](http://www.zenithwater.co.nz) for full specification details.

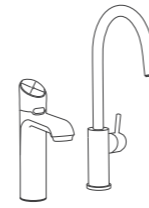
Size relates to command centre - revert to installation diagram for clearance and ventilation.

Glass size is 200ml and cup size 167ml.

'Ambient' describes the temperature of the water where there is no additional heating or chilling to the incoming cold water supply.

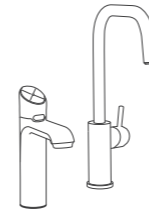
# Commercial HydroTap

CLASSIC PLUS WITH ARC MIXER



ORDER CODE	NO. PEOPLE	MODEL	WATER OPTIONS	CUPS PER HOUR	GLASSES PER HOUR	SIZE* H x W x D (mm)
H55875Z00NZ	60	BCSHA		160	175	333 x 395 x 464
H55876Z00NZ	100			240*	175	333 x 395 x 464
H55822Z00NZ	40			BCHA		160
H55823Z00NZ	60	160	175			333 x 395 x 464
H55824Z00NZ	100	240*	175			333 x 395 x 464
H55856Z00NZ	60	BHA		160	-	333 x 280 x 313
H55857Z00NZ	100			240*	-	333 x 280 x 313

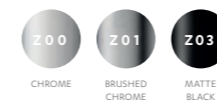
CLASSIC PLUS WITH CUBE MIXER



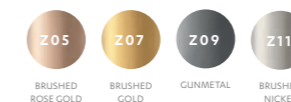
ORDER CODE	NO. PEOPLE	MODEL	WATER OPTIONS	CUPS PER HOUR	GLASSES PER HOUR	SIZE* H x W x D (mm)
H55975Z00NZ	60	BCSHA		160	175	333 x 395 x 464
H55976Z00NZ	100			240*	175	333 x 395 x 464
H55922Z00NZ	40	BCHA		160	125	333 x 395 x 464
H55923Z00NZ	60			160	175	333 x 395 x 464
H55924Z00NZ	100			240*	175	333 x 395 x 464
H55956Z00NZ	60	BHA		160	-	333 x 280 x 313
H55957Z00NZ	100			240*	-	333 x 280 x 313

AVAILABLE IN:

POPULAR



PLATINUM - AVAILABLE ON REQUEST



Order code listed above is for Chrome finish. To select a different finish, replace Z00 with the relevant colour code. For example, HydroTap GS BCSHA60 Classic Plus in a Matte Black finish use code H55875Z03NZ.

KEY TO ICONS



\*240 boiling cup per hour models include additional Booster and require 2 x 10 amp power GPOs. Refer to [www.zenithwater.co.nz](http://www.zenithwater.co.nz) for full specification details.

Size relates to command centre - revert to installation diagram for clearance and ventilation.

Glass size is 200ml and cup size 167ml.

'Ambient' describes the temperature of the water where there is no additional heating or chilling to the incoming cold water supply.



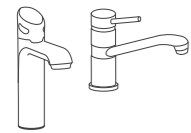
# Commercial HydroTap

## TOUCH-FREE WAVE



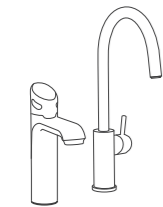
ORDER CODE	NO. PEOPLE	MODEL	WATER OPTIONS	CUPS PER HOUR	GLASSES PER HOUR	SIZE* H x W x D (mm)
H5W760Z00NZ	20	BCS		100	75	333 x 339 x 460
H5W762Z00NZ	60			160	175	333 x 395 x 464
H5W763Z00NZ	100			240*	175	333 x 395 x 464
H5W703Z00NZ	40	BC		160	125	333 x 395 x 464
H5W704Z00NZ	60			160	175	333 x 395 x 464
H5W705Z00NZ	100			240*	175	333 x 395 x 464
H5W708Z00NZ	60	BA		160	-	333 x 280 x 313
H5W706Z00NZ	60	B		160	-	333 x 280 x 313
H5W707Z00NZ	100			240*	-	333 x 280 x 313
H5W710Z00NZ	40	C		-	125	333 x 280 x 476
H5W711Z00NZ	100			-	150	333 x 280 x 476

## TOUCH-FREE WAVE WITH CLASSIC MIXER



H5W622Z00NZ	40	BCHA		160	125	333 x 395 x 464
H5W623Z00NZ	60			160	175	333 x 395 x 464
H5W624Z00NZ	100			240*	175	333 x 395 x 464

## TOUCH-FREE WAVE WITH ARC MIXER



H5W822Z00NZ	40	BCHA		160	125	333 x 395 x 464
H5W823Z00NZ	60			160	175	333 x 395 x 464
H5W824Z00NZ	100			240*	175	333 x 395 x 464

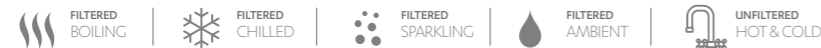
## AVAILABLE IN:

### POPULAR



Order code listed above is for Chrome finish. To select a different finish, replace Z00 with the relevant colour code. For example, HydroTap G5 BCS20 Touch-Free Wave in a Matte Black finish use code H5W760Z03NZ.

### KEY TO ICONS



\*240 boiling cup per hour models include additional Booster and require 2x10 amp power GPOs. Refer to [www.zenithwater.co.nz](http://www.zenithwater.co.nz) for full specification details.

Size relates to command centre - revert to installation diagram for clearance and ventilation.

Glass size is 200ml and cup size 167ml.

'Ambient' describes the temperature of the water where there is no additional heating or chilling to the incoming cold water supply.

# Commercial HydroTap

## CLASSIC



ORDER CODE	NO. PEOPLE	MODEL	WATER OPTIONS	CUPS PER HOUR	GLASSES PER HOUR	SIZE* H x W x D (mm)
H51760Z00NZ	20	BCS		100	75	333 x 339 x 460
H51762Z00NZ	60			160	175	333 x 395 x 464
H51763Z00NZ	100			240*	175	333 x 395 x 464
H51702Z00NZ	20	BC		100	75	333 x 280 x 455
H51703Z00NZ	40			160	125	333 x 395 x 464
H51704Z00NZ	60			160	175	333 x 395 x 464
H51705Z00NZ	100			240*	175	333 x 395 x 464
H51708Z00NZ	60	BA		160	-	333 x 280 x 313
H51709Z00NZ	100			240*	-	333 x 280 x 313
H51706Z00NZ	60	B		160	-	333 x 280 x 313
H51707Z00NZ	100			240*	-	333 x 280 x 313
H51765Z00NZ	100	CS		-	150	333 x 280 x 480
H51710Z00NZ	40	C		-	125	333 x 280 x 476
H51711Z00NZ	100			-	150	333 x 280 x 476

## CLASSIC WITH CLASSIC MIXER



H51675Z00NZ	60	BCSHA		160	175	333 x 395 x 464
H51676Z00NZ	100			240*	175	333 x 395 x 464
H51622Z00NZ	40	BCHA		160	125	333 x 395 x 464
H51623Z00NZ	60			160	175	333 x 395 x 464
H51624Z00NZ	100			240*	175	333 x 395 x 464
H51656Z00NZ	60	BHA		160	-	333 x 280 x 313
H51657Z00NZ	100			240*	-	333 x 280 x 313

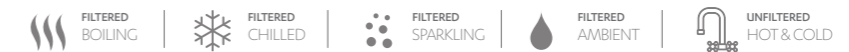
## AVAILABLE IN:

### POPULAR



Order code listed above is for Chrome finish. To select a different finish, replace Z00 with the relevant colour code. For example, HydroTap G5 BCS20 Classic in a Matte Black finish use code H51760Z03NZ.

### KEY TO ICONS



\*240 boiling cup per hour models include additional Booster and require 2x10 amp power GPOs. Refer to [www.zenithwater.co.nz](http://www.zenithwater.co.nz) for full specification details.

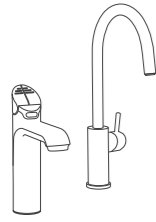
Size relates to command centre - revert to installation diagram for clearance and ventilation.

Glass size is 200ml and cup size 167ml.

'Ambient' describes the temperature of the water where there is no additional heating or chilling to the incoming cold water supply.

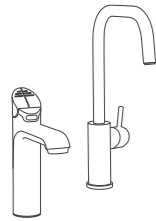
# Commercial HydroTap

## CLASSIC WITH ARC MIXER



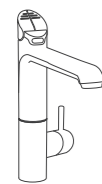
ORDER CODE	NO. PEOPLE	MODEL	WATER OPTIONS	CUPS PER HOUR	GLASSES PER HOUR	SIZE* H x W x D (mm)
H51875Z00NZ	60	BCSHA		160	175	333 x 395 x 464
H51876Z00NZ	100			240*	175	333 x 395 x 464
H51822Z00NZ	40	BCHA		160	125	333 x 395 x 464
H51823Z00NZ	60			160	175	333 x 395 x 464
H51824Z00NZ	100			240*	175	333 x 395 x 464
H51856Z00NZ	60	BHA		160	-	333 x 280 x 313
H51857Z00NZ	100			240*	-	333 x 280 x 313

## CLASSIC WITH CUBE MIXER



H51975Z00NZ	60	BCSHA		160	175	333 x 395 x 464
H51976Z00NZ	100			240*	175	333 x 395 x 464
H51922Z00NZ	40	BCHA		160	125	333 x 395 x 464
H51923Z00NZ	60			160	175	333 x 395 x 464
H51924Z00NZ	100			240*	175	333 x 395 x 464
H51956Z00NZ	60	BHA		160	-	333 x 280 x 313
H51957Z00NZ	100			240*	-	333 x 280 x 313

## CLASSIC ALL-IN-ONE



H5A775Z00NZ	60	BCSHA		160	175	333 x 395 x 464
H5A776Z00NZ	100			240*	175	333 x 395 x 464
H5A722Z00NZ	40	BCHA		160	125	333 x 395 x 464
H5A723Z00NZ	60			160	175	333 x 395 x 464
H5A724Z00NZ	100			240*	175	333 x 395 x 464

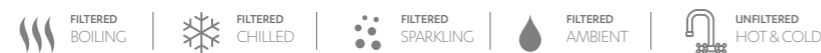
### AVAILABLE IN:

#### POPULAR



Order code listed above is for Chrome finish. To select a different finish, replace Z00 with the relevant colour code. For example, HydroTap G5 BCSHA60 Classic with Arc Mixer in a Matte Black finish use code H51875Z03NZ.

#### KEY TO ICONS



\*240 boiling cup per hour models include additional Booster and require 2x10 amp power GPOs. Refer to [www.zenithwater.co.nz](http://www.zenithwater.co.nz) for full specification details.

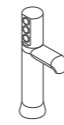
Size relates to command centre - revert to installation diagram for clearance and ventilation.

Glass size is 200ml and cup size 167ml.

'Ambient' describes the temperature of the water where there is no additional heating or chilling to the incoming cold water supply.

# Commercial HydroTap Available on request

## CLASSIC INDUSTRIAL SIDE TOUCH\*\*



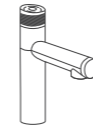
ORDER CODE	NO. PEOPLE	MODEL	WATER OPTIONS	CUPS PER HOUR	GLASSES PER HOUR	SIZE* H x W x D (mm)
H5J703Z00NZ	40	BC		160	125	333 x 395 x 464
H5J704Z00NZ	60			160	175	333 x 395 x 464
H5J705Z00NZ	100			240*	175	333 x 395 x 464

## CLASSIC INDUSTRIAL TOP TOUCH\*\*



H5I703Z00ANZ	40	BC		160	125	333 x 395 x 464
H5I704Z00ANZ	60			160	175	333 x 395 x 464
H5I705Z00ANZ	100			240*	175	333 x 395 x 464

## MICRO



M1005NZ	10	BC		90	60	340 x 180 x 502
M1001NZ	10	B		90	-	340 x 180 x 270

## ULTRACARE\*\*



H5I7UIZ00NZC



H5D7UIZ00NZC

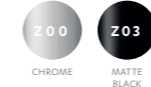


H5W7UIZ00NZC

H5W7UIZ00NZC	40	BCU		160	125	333 x 395 x 464
H5D7UIZ00NZC	40	BCU		160	125	333 x 395 x 464
H5I7UIZ00NZC	40	BCU		160	125	333 x 395 x 464

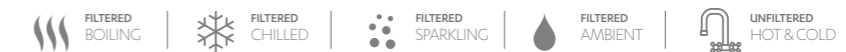
### AVAILABLE IN:

#### POPULAR



Order code listed above is for Chrome finish.

#### KEY TO ICONS



\*240 boiling cup per hour models include additional Booster and require 2x10 amp power GPOs. Refer to [www.zenithwater.co.nz](http://www.zenithwater.co.nz) for full specification details.

Size relates to command centre - revert to installation diagram for clearance and ventilation.

Glass size is 200ml and cup size 167ml.

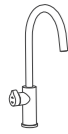
\*\*Industrial & UltraCare products only available in Chrome finish.

'Ambient' describes the temperature of the water where there is no additional heating or chilling to the incoming cold water supply.



# Commercial HydroTap Tap design available on request only

ARC



ORDER CODE	NO. PEOPLE	MODEL	WATER OPTIONS	CLIPS PER HOUR	GLASSES PER HOUR	SIZE* H x W x D (mm)
H52760Z00NZ	20	BCS	Filtered Boiling, Filtered Chilled, Filtered Sparkling	100	75	333 x 339 x 460
H52762Z00NZ	60			160	175	333 x 395 x 464
H52763Z00NZ	100			240*	175	333 x 395 x 464
H52702Z00NZ	20	BC	Filtered Boiling, Filtered Chilled	100	75	333 x 280 x 455
H52703Z00NZ	40			160	125	333 x 395 x 464
H52704Z00NZ	60			160	175	333 x 395 x 464
H52705Z00NZ	100			240*	175	333 x 395 x 464
H52708Z00NZ	60	BA	Filtered Boiling, Ambient	160	-	333 x 280 x 313
H52709Z00NZ	100			240*	-	333 x 280 x 313
H52706Z00NZ	60	B	Filtered Boiling	160	-	333 x 280 x 313
H52707Z00NZ	100			240*	-	333 x 280 x 313
H52765Z00NZ	100	CS	Filtered Chilled, Filtered Sparkling	-	150	333 x 280 x 480
H52710Z00NZ	40	C	Filtered Chilled	-	125	333 x 280 x 476
H52711Z00NZ	100			-	150	333 x 280 x 476

ARC WITH ARC MIXER



H52875Z00NZ	60	BCSHA	Filtered Boiling, Filtered Chilled, Filtered Sparkling, Ambient	160	175	333 x 395 x 464
H52876Z00NZ	100			240*	175	333 x 395 x 464
H52822Z00NZ	40	BCHA	Filtered Boiling, Filtered Chilled, Ambient	160	125	333 x 395 x 464
H52823Z00NZ	60			160	175	333 x 395 x 464
H52824Z00NZ	100			240*	175	333 x 395 x 464
H52856Z00NZ	60	BHA	Filtered Boiling, Ambient	160	-	333 x 280 x 313
H52857Z00NZ	100			240*	-	333 x 280 x 313

AVAILABLE IN:



Order code listed above is for Chrome finish. To select a different finish, replace Z00 with the relevant colour code. For example, HydroTap G5 BCS20 Arc in a Matte Black finish use code H52760Z03NZ.



\*240 boiling cup per hour models include additional Booster and require 2x10 amp power GPOs. Refer to [www.zenithwater.co.nz](http://www.zenithwater.co.nz) for full specification details.

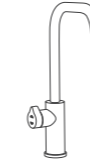
Size relates to command centre - revert to installation diagram for clearance and ventilation.

Glass size is 200ml and cup size 167ml.

'Ambient' describes the temperature of the water where there is no additional heating or chilling to the incoming cold water supply.

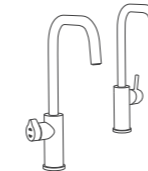
# Commercial HydroTap Tap design available on request only

CUBE



ORDER CODE	NO. PEOPLE	MODEL	WATER OPTIONS	CLIPS PER HOUR	GLASSES PER HOUR	SIZE* H x W x D (mm)
H53760Z00NZ	20	BCS	Filtered Boiling, Filtered Chilled, Filtered Sparkling	100	75	333 x 339 x 460
H53762Z00NZ	60			160	175	333 x 395 x 464
H53763Z00NZ	100			240*	175	333 x 395 x 464
H53702Z00NZ	20	BC	Filtered Boiling, Filtered Chilled	100	75	333 x 280 x 455
H53703Z00ANZ	40			160	125	333 x 395 x 464
H53704Z00NZ	60			160	175	333 x 395 x 464
H53705Z00NZ	100			240*	175	333 x 395 x 464
H53708Z00NZ	60	BA	Filtered Boiling, Ambient	160	-	333 x 280 x 313
H53709Z00NZ	100			240*	-	333 x 280 x 313
H53706Z00NZ	60	B	Filtered Boiling	160	-	333 x 280 x 313
H53707Z00NZ	100			240*	-	333 x 280 x 313
H53765Z00NZ	100	CS	Filtered Chilled, Filtered Sparkling	-	150	333 x 280 x 480
H53710Z00NZ	40	C	Filtered Chilled	-	125	333 x 280 x 476
H53711Z00NZ	100			-	150	333 x 280 x 476

CUBE WITH CUBE MIXER



H53975Z00NZ	60	BCSHA	Filtered Boiling, Filtered Chilled, Filtered Sparkling, Ambient	160	175	333 x 395 x 464
H53976Z00NZ	100			240*	175	333 x 395 x 464
H53922Z00NZ	40	BCHA	Filtered Boiling, Filtered Chilled, Ambient	160	125	333 x 395 x 464
H53923Z00NZ	60			160	175	333 x 395 x 464
H53924Z00NZ	100			240*	175	333 x 395 x 464
H53956Z00NZ	60	BHA	Filtered Boiling, Ambient	160	-	333 x 280 x 313
H53957Z00NZ	100			240*	-	333 x 280 x 313

AVAILABLE IN:



Order code listed above is for Chrome finish. To select a different finish, replace Z00 with the relevant colour code. For example, HydroTap G5 BCS20 Cube in a Matte Black finish use code H53760Z03NZ.



\*240 boiling cup per hour models include additional Booster and require 2x10 amp power GPOs. Refer to [www.zenithwater.co.nz](http://www.zenithwater.co.nz) for full specification details.

Size relates to command centre - revert to installation diagram for clearance and ventilation.

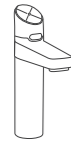
Glass size is 200ml and cup size 167ml.

'Ambient' describes the temperature of the water where there is no additional heating or chilling to the incoming cold water supply.

# Commercial HydroTap

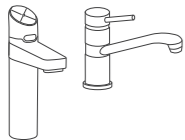
Tap design available on request only

ELITE PLUS



ORDER CODE	NO. PEOPLE	MODEL	WATER OPTIONS	CUPS		SIZE* H x W x D (mm)
				PER HOUR	PER HOUR	
H5E760Z00NZ	20	BCS		100	75	333 x 339 x 460
H5E762Z00NZ	60			160	175	333 x 395 x 464
H5E763Z00NZ	100			240*	175	333 x 395 x 464
H5E702Z00NZ	20	BC		100	75	333 x 280 x 455
H5E703Z00NZ	40			160	125	333 x 395 x 464
H5E704Z00NZ	60			160	175	333 x 395 x 464
H5E705Z00NZ	100			240*	175	333 x 395 x 464
H5E708Z00NZ	60	BA		160	-	333 x 280 x 313
H5E709Z00NZ	100			240*	-	333 x 280 x 313
H5E706Z00NZ	60	B		160	-	333 x 280 x 313
H5E707Z00NZ	100			240*	-	333 x 280 x 313
H5E765Z00NZ	100	CS		-	150	333 x 280 x 480
H5E710Z00NZ	40	C		-	125	333 x 280 x 476
H5E711Z00NZ	100			-	150	333 x 280 x 476

ELITE PLUS WITH CLASSIC MIXER



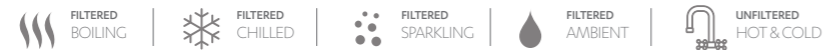
H5E675Z00NZ	60	BCSHA		160	175	333 x 395 x 464
H5E676Z00NZ	100			240*	175	333 x 395 x 464
H5E622Z00NZ	40	BCHA		160	125	333 x 395 x 464
H5E623Z00NZ	60			160	175	333 x 395 x 464
H5E624Z00NZ	100			240*	175	333 x 395 x 464
H5E656Z00NZ	60	BHA		160	-	333 x 280 x 313
H5E657Z00NZ	100			240*	-	333 x 280 x 313

AVAILABLE IN:



Order code listed above is for Chrome finish. To select a different finish, replace Z00 with the relevant colour code. For example, HydroTap G5 BCS20 Elite Plus in a Matte Black finish use code H5E760Z03AU.

KEY TO ICONS



\*240 boiling cup per hour models include additional Booster and require 2 x 10 amp power GPOs. Refer to [www.zenithwater.co.nz](http://www.zenithwater.co.nz) for full specification details.

Size relates to command centre - revert to installation diagram for clearance and ventilation.

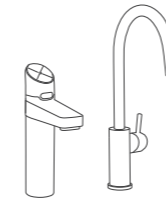
Glass size is 200ml and cup size 167ml.

'Ambient' describes the temperature of the water where there is no additional heating or chilling to the incoming cold water supply.

# Commercial HydroTap

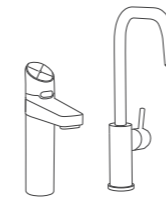
Tap design available on request only

ELITE PLUS WITH ARC MIXER



ORDER CODE	NO. PEOPLE	MODEL	WATER OPTIONS	CUPS		SIZE* H x W x D (mm)
				PER HOUR	PER HOUR	
H5E875Z00NZ	60	BCSHA		160	175	333 x 395 x 464
H5E876Z00NZ	100			240*	175	333 x 395 x 464
H5E822Z00NZ	40			BCHA		160
H5E823Z00NZ	60	160	175			333 x 395 x 464
H5E824Z00NZ	100	240*	175			333 x 395 x 464
H5E856Z00NZ	60	BHA		160	-	333 x 280 x 313
H5E857Z00NZ	100			240*	-	333 x 280 x 313

ELITE PLUS WITH CUBE MIXER



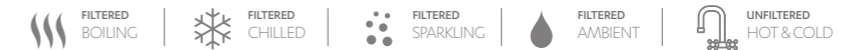
ORDER CODE	NO. PEOPLE	MODEL	WATER OPTIONS	CUPS		SIZE* H x W x D (mm)
				PER HOUR	PER HOUR	
H5E975Z00NZ	60	BCSHA		160	175	333 x 395 x 464
H5E976Z00NZ	100			240*	175	333 x 395 x 464
H5E922Z00NZ	40	BCHA		160	125	333 x 395 x 464
H5E923Z00NZ	60			160	175	333 x 395 x 464
H5E924Z00NZ	100			240*	175	333 x 395 x 464
H5E956Z00NZ	60	BHA		160	-	333 x 280 x 313
H5E957Z00NZ	100			240*	-	333 x 280 x 313

AVAILABLE IN:



Order code listed above is for Chrome finish. To select a different finish, replace Z00 with the relevant colour code. For example, HydroTap G5 BCSHA60 5-In-1 Elite Plus tap with Arc Mixer in a Matte Black finish use code H5E875Z03AU.

KEY TO ICONS



\*240 boiling cup per hour models include additional Booster and require 2 x 10 amp power GPOs. Refer to [www.zenithwater.co.nz](http://www.zenithwater.co.nz) for full specification details.

Size relates to command centre - revert to installation diagram for clearance and ventilation.

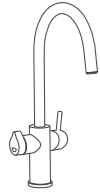
Glass size is 200ml and cup size 167ml.

'Ambient' describes the temperature of the water where there is no additional heating or chilling to the incoming cold water supply.



# Commercial HydroTap Tap design available on request only

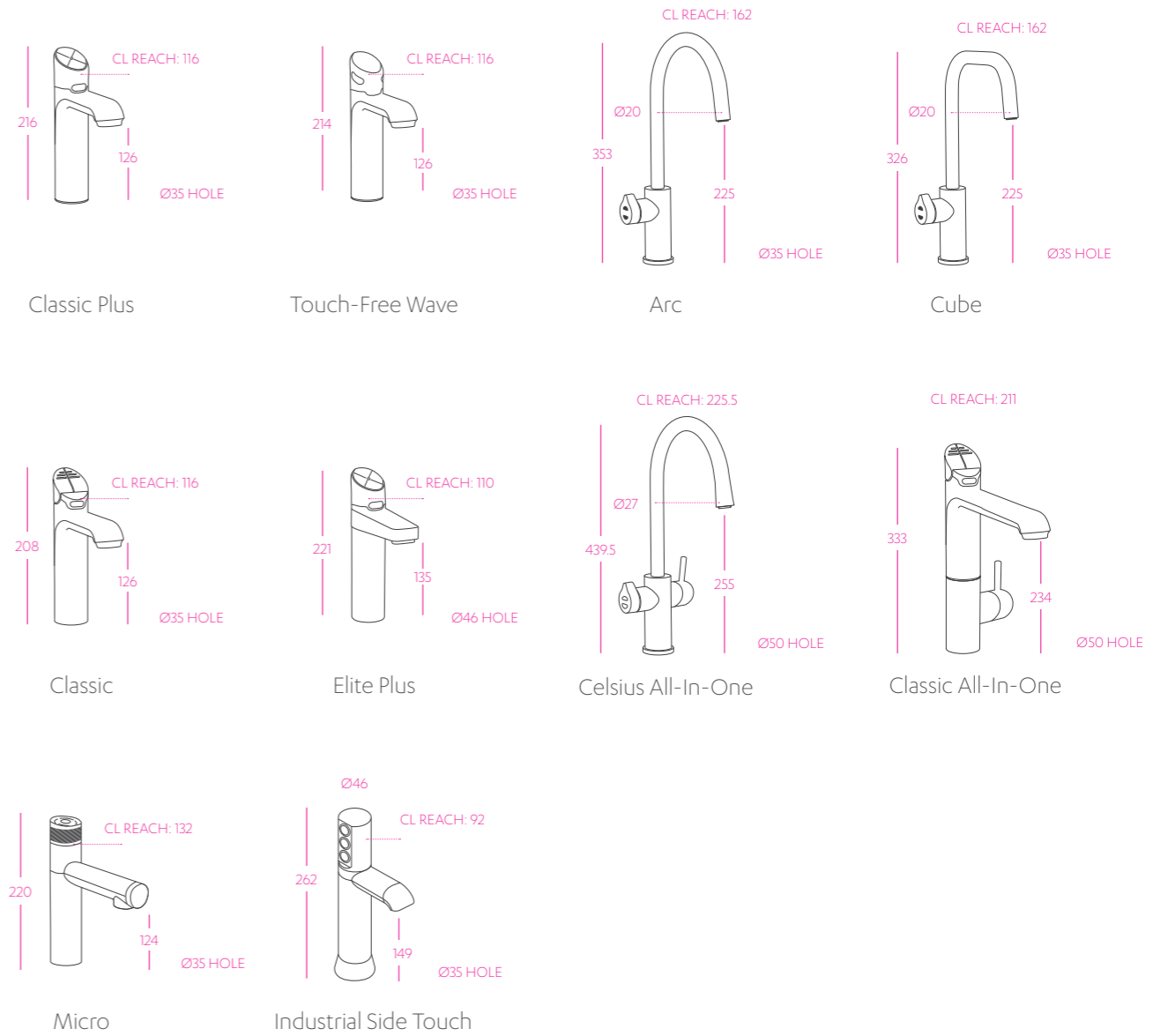
CELSIUS ALL-IN-ONE\*\*



ORDER CODE	NO. PEOPLE	MODEL	WATER OPTIONS	CUPS PER HOUR	GLASSES PER HOUR	SIZE* H x W x D (mm)
H57760Z00NZ	20	BCSHA		100	75	333 x 339 x 460
H57762Z00NZ	60			160	175	333 x 395 x 464
H57763Z00NZ	100			240*	175	333 x 395 x 464
H57702Z00NZ	20	BCHA		100	75	333 x 280 x 455
H57703Z00NZ	40			160	125	333 x 395 x 464
H57704Z00NZ	60			160	175	333 x 395 x 464
H57705Z00NZ	100			240	175	333 x 395 x 464

\*\*Celsius products require hot and cold water supply

## Technical information

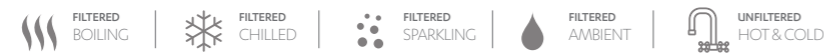


### AVAILABLE IN:



Order code listed above is for Chrome finish. To select a different finish, replace Z00 with the relevant colour code. For example, HydroTap G5 BCSHA20 Celsius All-In-One in a Matte Black finish use code H57760Z03AU.

### KEY TO ICONS

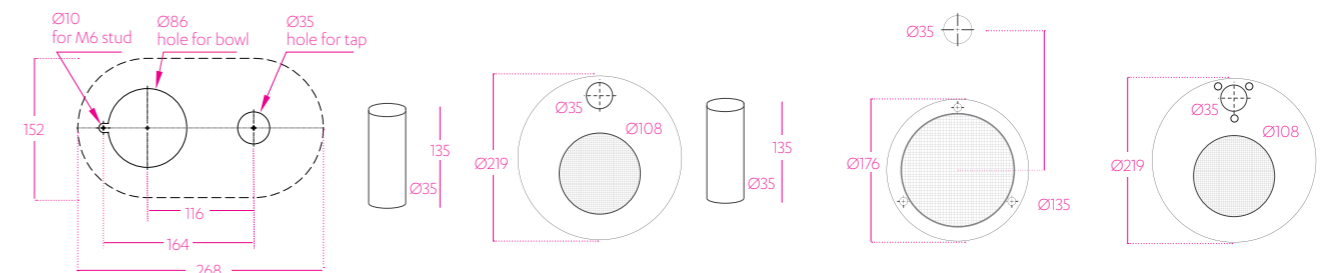


\*240 boiling cup per hour models include additional Booster and require 2x10 amp power GPOs. Refer to [www.zenithwater.co.nz](http://www.zenithwater.co.nz) for full specification details.

Size relates to command centre - revert to installation diagram for clearance and ventilation.

Glass size is 200ml and cup size 167ml.

'Ambient' describes the temperature of the water where there is no additional heating or chilling to the incoming cold water supply.



### 95258NZZ00

Zenith font kit raised Chrome

Suits any current model Zenith HydroTap Classic, Classic Plus, Touch-Free Wave, Miniboil Classic and Elite Plus

### 90915NZZ00

Zenith font kit Chrome

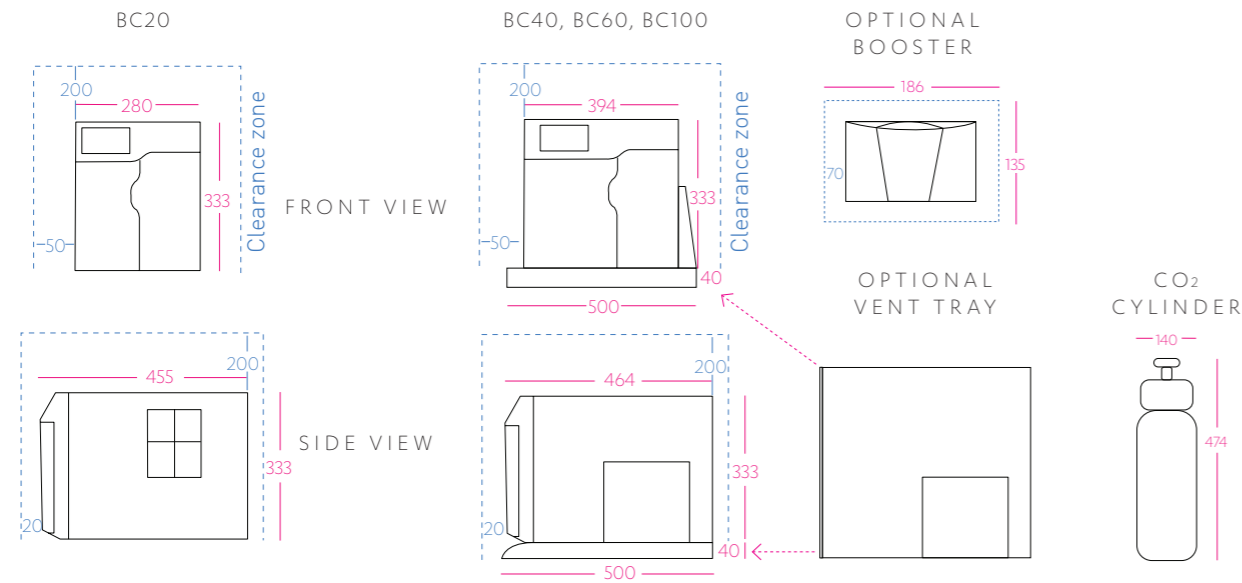
Suits any current model Zenith HydroTap Classic, Classic Plus, Touch-Free Wave, Miniboil Classic and Elite Plus

### 93441NZZ00

Zenith stand alone font Chrome for HydroTap Arc and Cube

### 90869NZZ00

Zenith Font for Industrial in Chrome finish




For full installation details please refer to the installation instructions which can be found at [www.zenithwater.co.nz](http://www.zenithwater.co.nz)  
Be sure to allow additional space required if installing a sparkling model with CO<sub>2</sub> cylinder.



Image shows BC40 command centre installed with vent tray

## Accessories



**95258NZZ00**  
Zenith font kit raised Chrome  
Suits any current model Zenith HydroTap Classic, Classic Plus, Touch-Free Wave, and Elite Plus


Available in 7 colour finish options

POPULAR


- Z00 CHROME
- Z01 BRUSHED CHROME
- Z03 MATTE BLACK

PLATINUM - AVAILABLE ON REQUEST

- Z05 BRUSHED ROSE GOLD
- Z07 BRUSHED GOLD
- Z09 GUNMETAL
- Z11 BRUSHED NICKEL



**93441NZZ00**  
Zenith stand alone font kit Chrome  
Suits any current model HydroTap Arc or Cube. Does not include extension




**90915NZZ00**  
Zenith font kit Chrome  
Suits any current model Zenith HydroTap Classic, Classic Plus, Touch-Free Wave, and Elite Plus

Available in popular finish options only


POPULAR

- Z00 CHROME
- Z01 BRUSHED CHROME
- Z03 MATTE BLACK


## Installation accessories



**91412NZ**  
Zenith HydroTap boiling water boost upgrade kit  
Suits current Zenith HydroTap with boiling water



**91394NZ**  
Zenith 1.5m silicone tube replacement kit  
Suits current commercial Zenith HydroTap Classic excluding sparkling models



**93156NZ**  
Zenith dual exhaust fan  
Suits any current commercial Zenith HydroTap with chilled water











0800 558 055

[www.zenithwater.co.nz](http://www.zenithwater.co.nz)