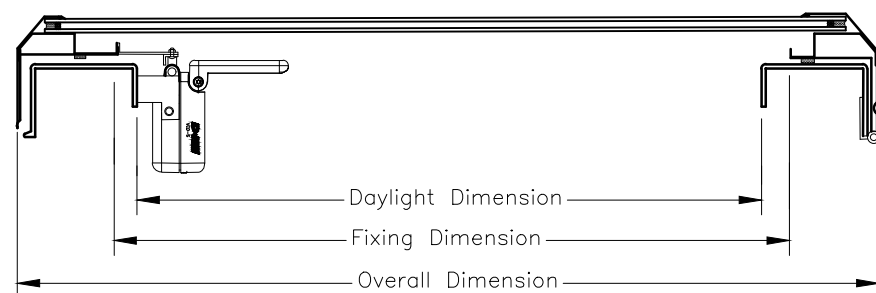
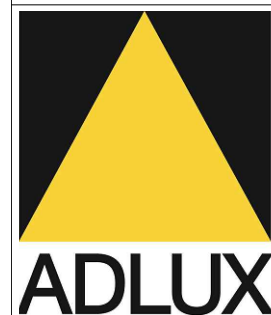
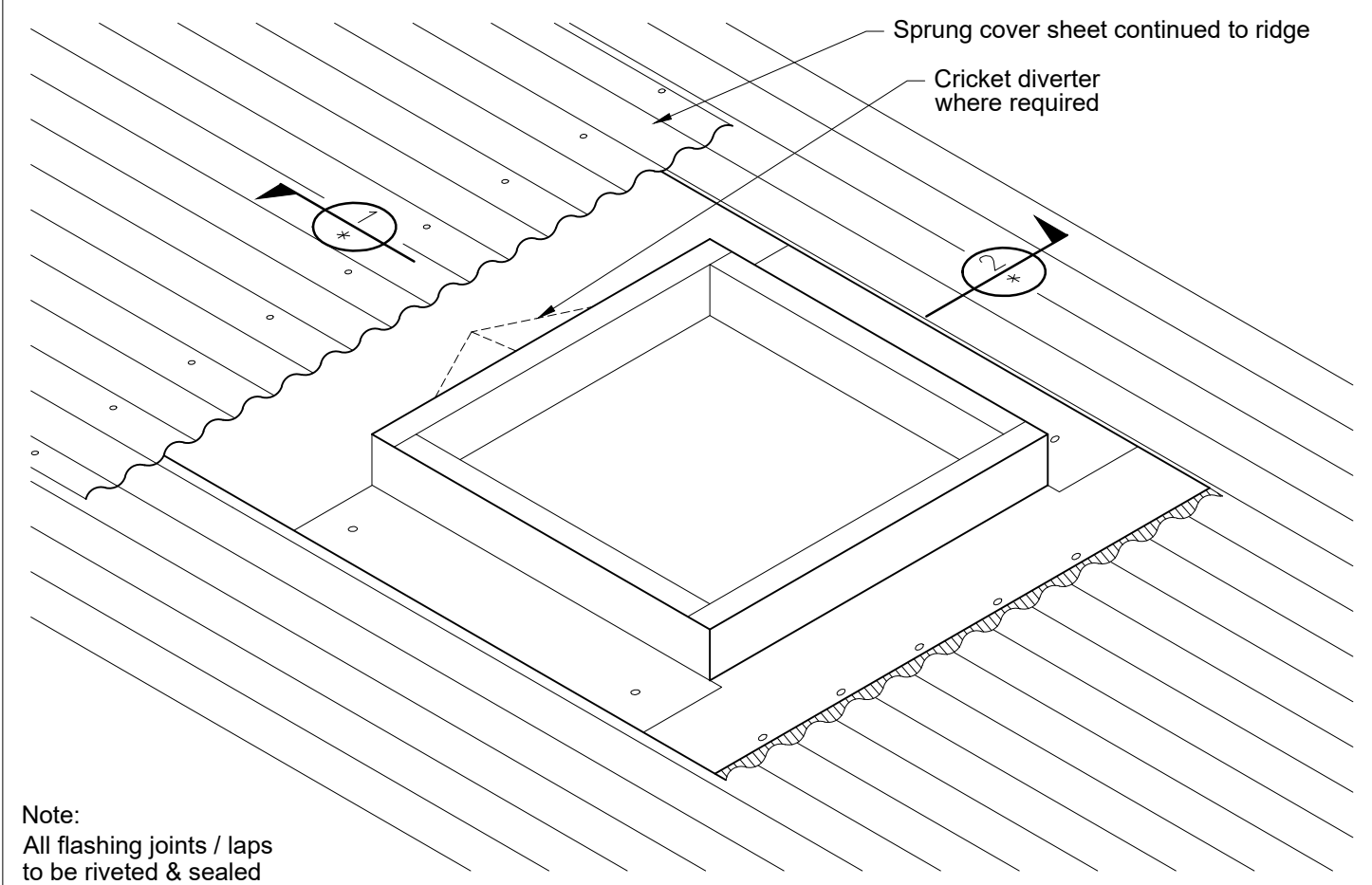


* Dimensions to be in accordance with NZBC Clause E2



| Roof Window Opening - Solar Electric | | | | | | |
|--------------------------------------|--------------------|---|------------------|------|-------------------|------|
| Model No. | DAYLIGHT DIMENSION | | FIXING DIMENSION | | OVERALL DIMENSION | |
| RWBse77 | 540 | x | 540 | 570 | x | 570 |
| RWBse86 | 585 | x | 435 | 615 | x | 465 |
| RWBse99 | 745 | x | 745 | 775 | x | 775 |
| RWBse106 | 865 | x | 435 | 895 | x | 465 |
| RWBse108 | 865 | x | 665 | 895 | x | 695 |
| RWBse128 | 1065 | x | 665 | 1095 | x | 695 |
| RWBse137 | 1150 | x | 540 | 1180 | x | 570 |
| RWBse148 | 1285 | x | 665 | 1315 | x | 695 |
| RWBse1212 | 1065 | x | 1025 | 1095 | x | 1055 |
| RWBse1313 | 1150 | x | 1150 | 1180 | x | 1180 |
| RWBse1412 | 1285 | x | 1025 | 1315 | x | 1055 |

Not to scale, do not scale from drawing. All details are generic in nature and should be read in conjunction with the roofing manufacturers' standard penetration details.



ADLUX Industries Ltd. ©
 36 Olive Road, Penrose
 P.O. Box 13866, Auckland
 New Zealand.
 Ph: (09) 636 6866
 Fax: (09) 636 6846
 Email: sales@adlux.co.nz

**ROOF WINDOW BASE solar opening (Double Glazed)
 CORRUGATED ROOFING PROFILE (Sprung Sheet)
 PITCH 5° TO 60°**

DATE: 14/02/19

DWG No: RWBse-CR-SS