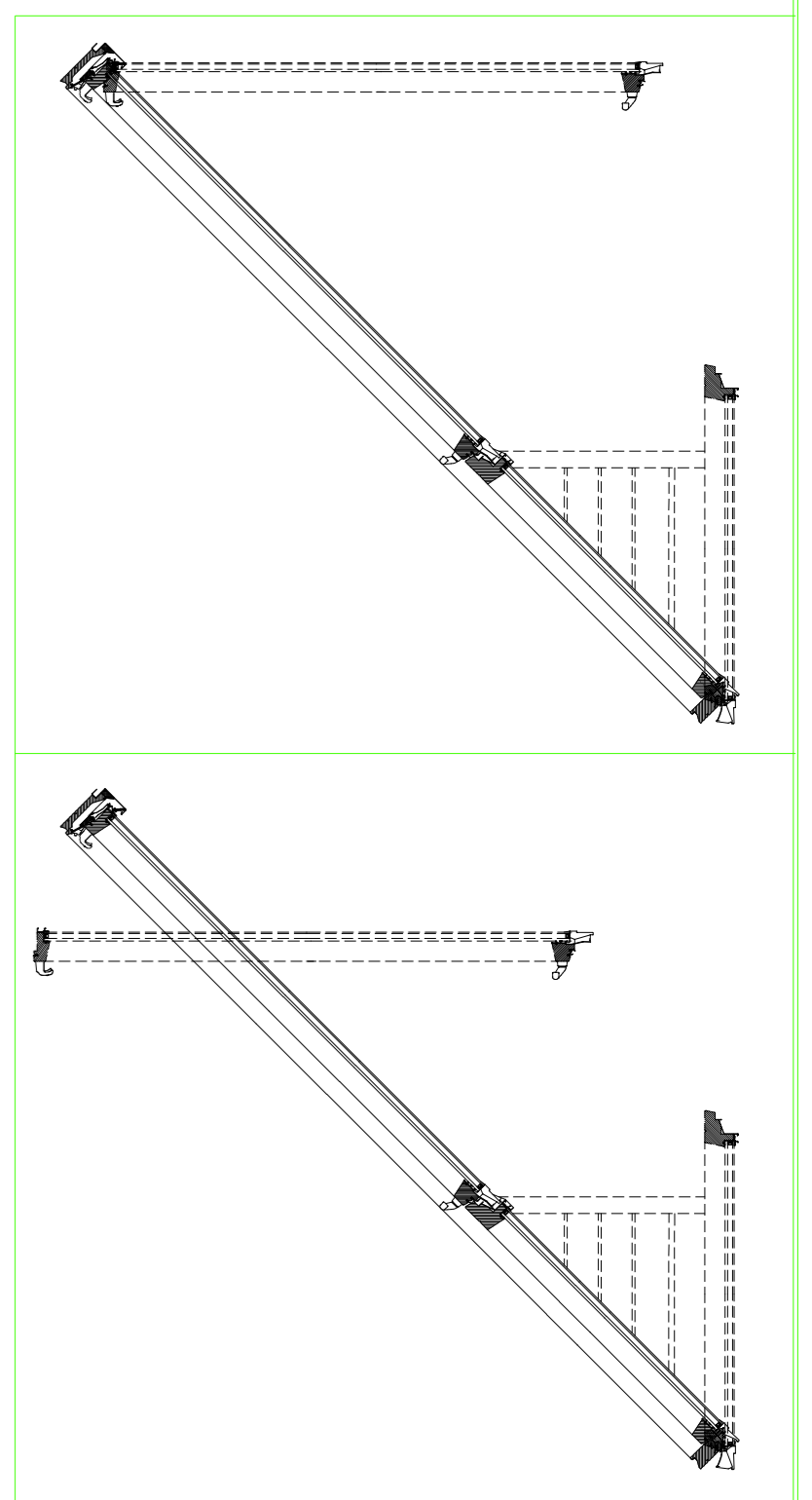
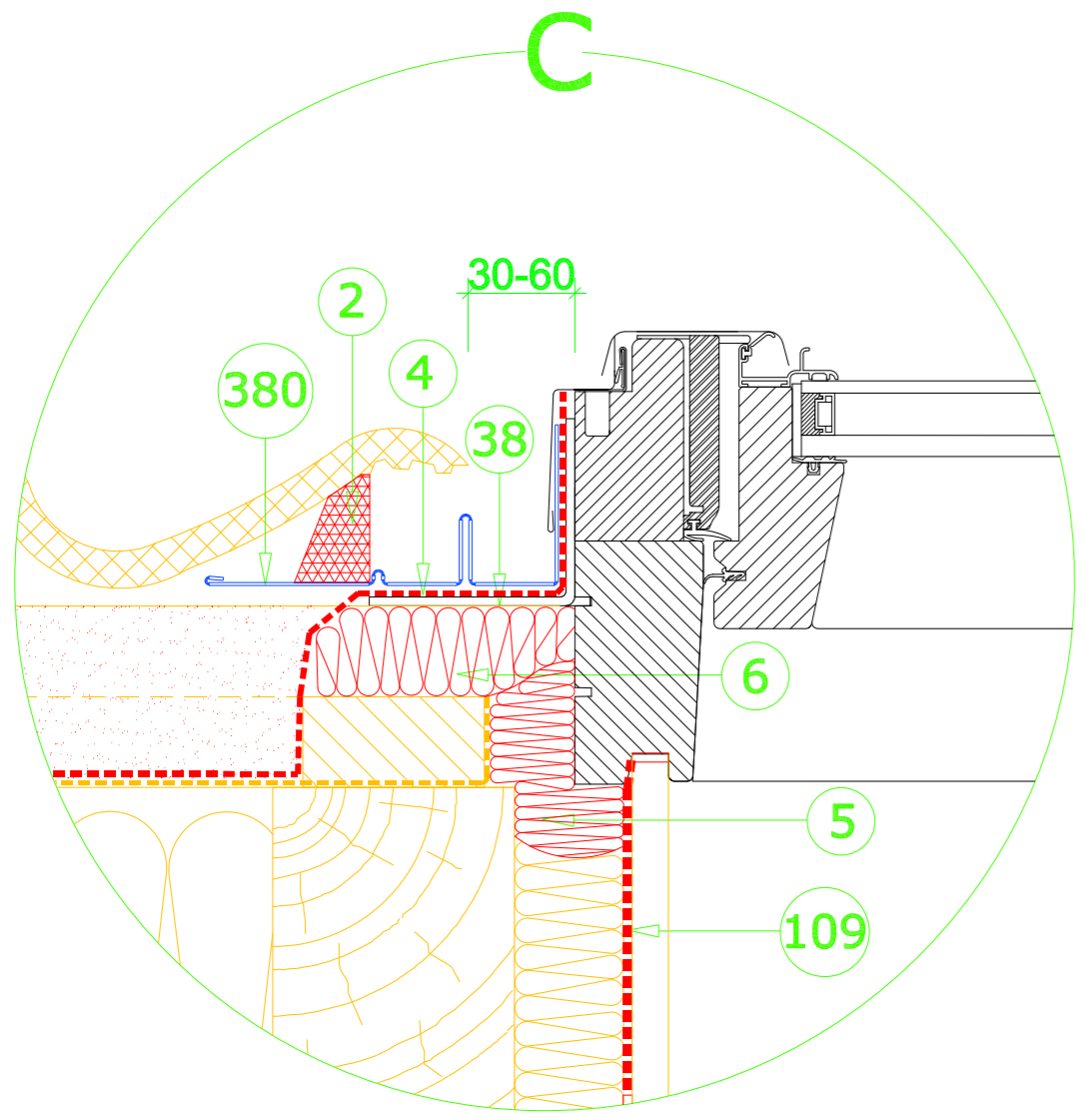
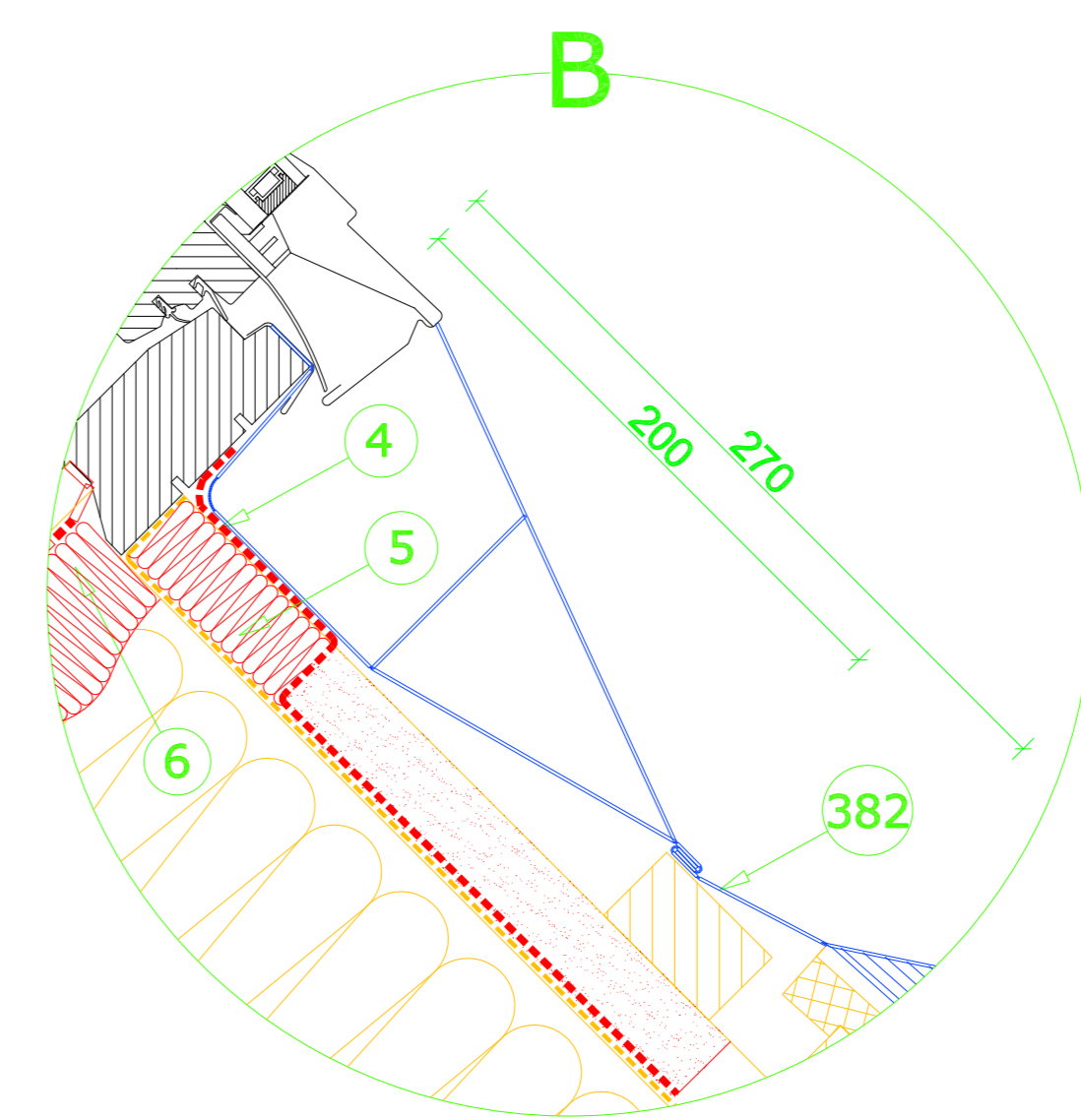
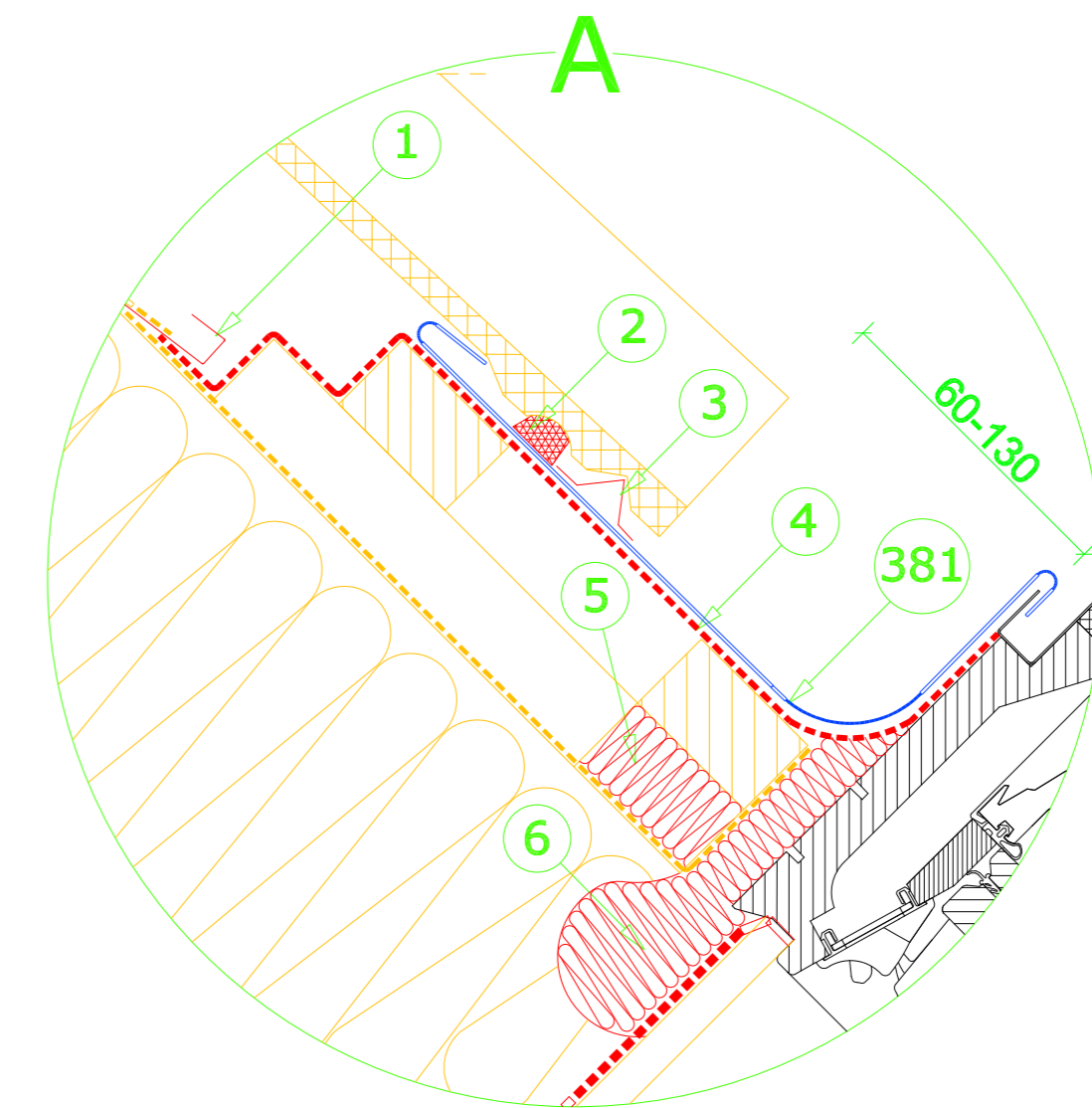
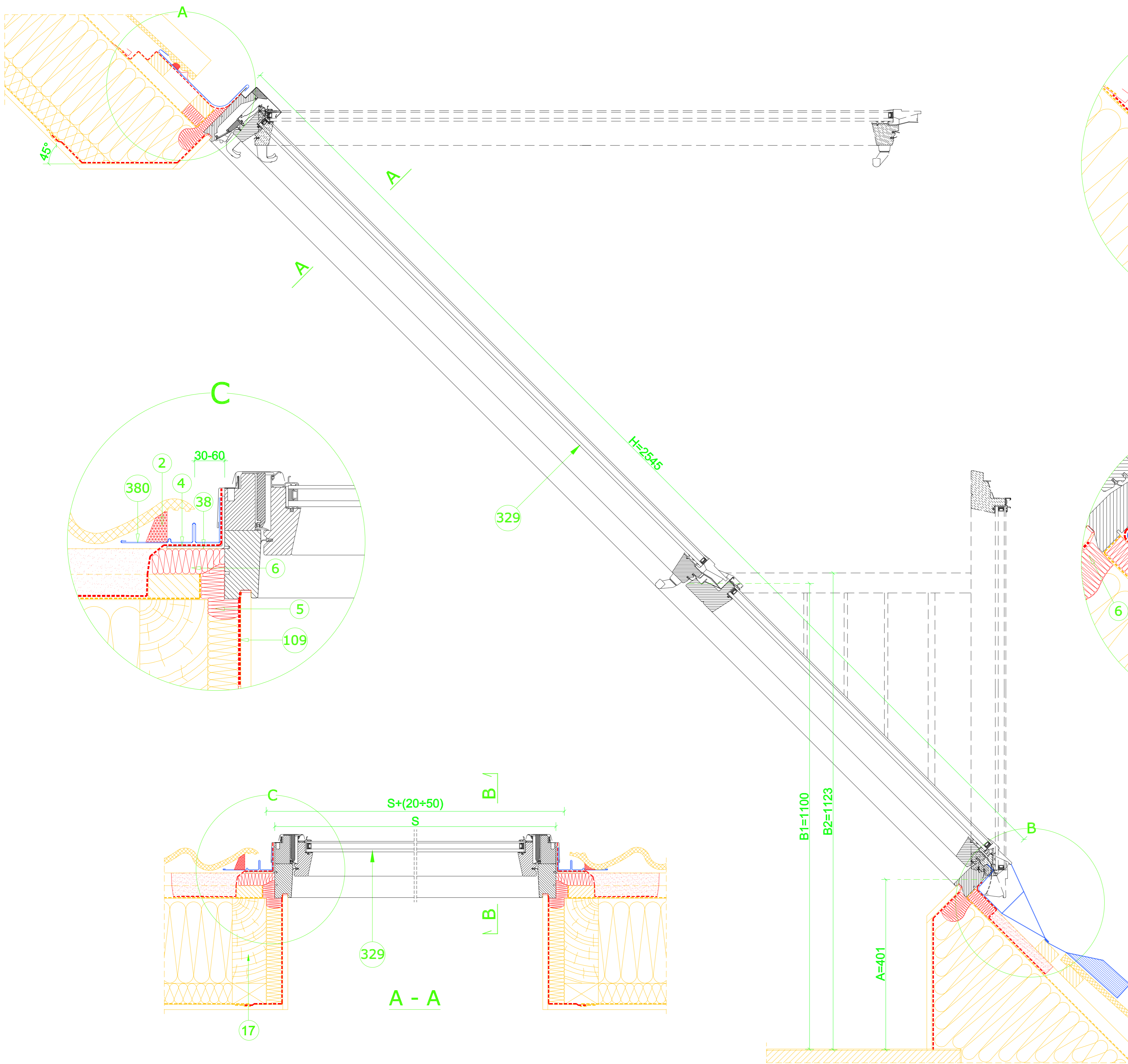


B - B



α [°]	A [mm]	B1 [mm]	B2 [mm]
35°-38°	191	800	840
	241	850	890
	291	900	940
	341	950	990
	391	1000	1040
	441	1050	1090
39°-41°	491	1100	1140
	138	800	830
	188	850	880
	238	900	930
	288	950	980
	338	1000	1030
42°-45°	388	1050	1080
	438	1100	1130
	101	800	823
	151	850	873
	201	900	923
	251	950	973
46°-49°	301	1000	1023
	351	1050	1073
	401	1100	1123
	54	800	822
	104	850	872
	154	900	922
50°-52°	204	850	872
	254	900	922
	304	950	972
	354	1000	1022
	61	850	867
	111	900	917
53°-55°	111	900	917
	211	1000	1017
	261	1050	1067
	311	1100	1117
	31	850	861
	81	900	911
131	950	961	
181	1000	1011	
231	1050	1061	
281	1100	1111	

- 1-Water draining gutter FAKRO
- 2-Polyurethane insulating wedge
- 3-Tile supporting profile
- 4-XDP FAKRO vapour permeable collar
- 5-Fleece made of sheep wool FAKRO (XDP)
- 6-Blocks made of sheep wool FAKRO (XDP)
- 17-Rafter
- 38-Installation bracket FAKRO
- 109-XDS air-tight flashing FAKRO
- 329-FGH-V P2 Coleris
- 380-EHV-A/G flashing side element FAKRO
- 381-EHV-A/G flashing upper element FAKRO
- 382-EHV-A/G flashing lower element FAKRO

FGH-V P2		
Frame width S [mm]	Frame height H [mm]	Window symbol
777	2545	02
937	2545	03

FGH-V P2

EHV-A/G

ROOFING-TILE

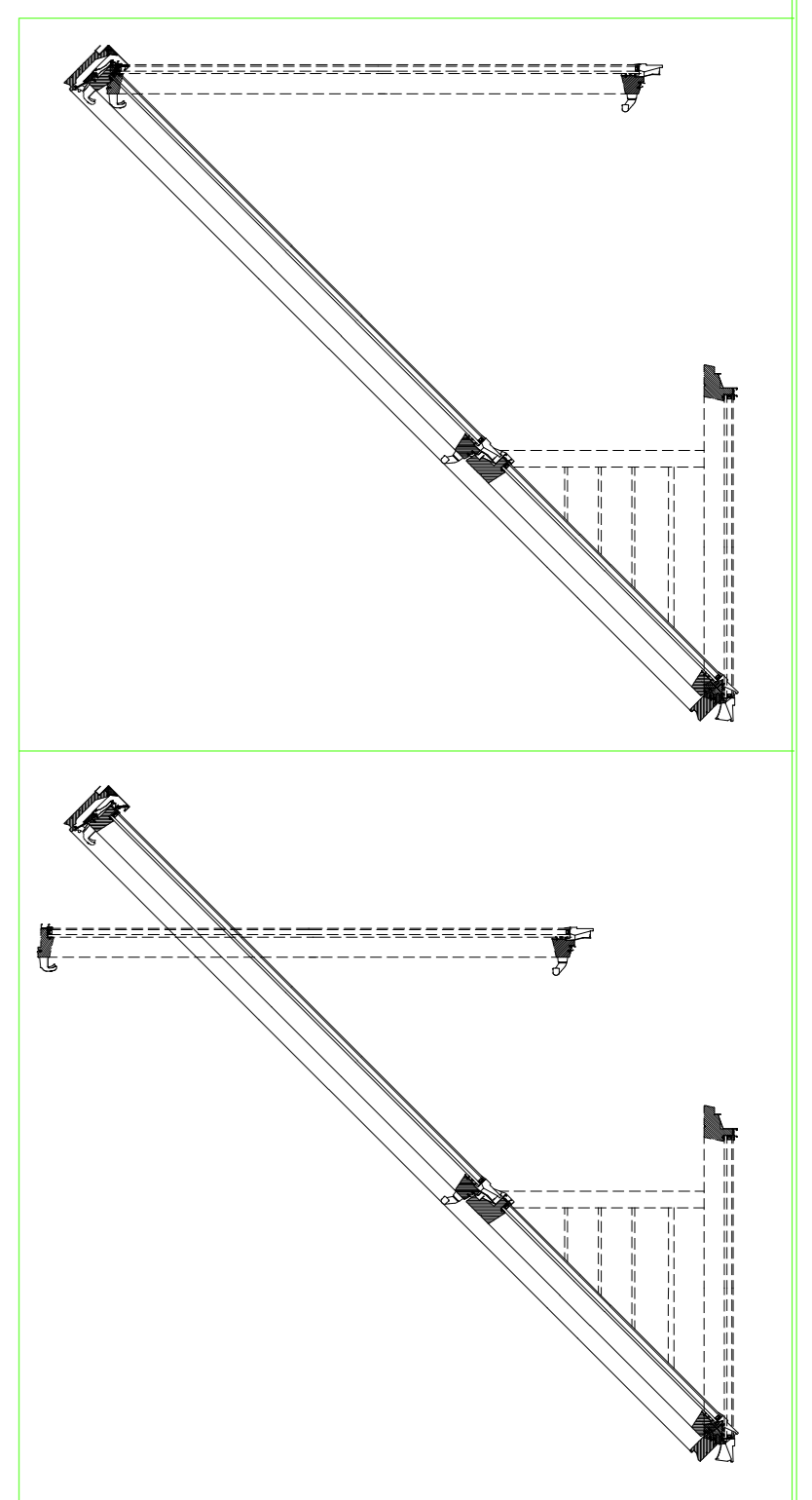
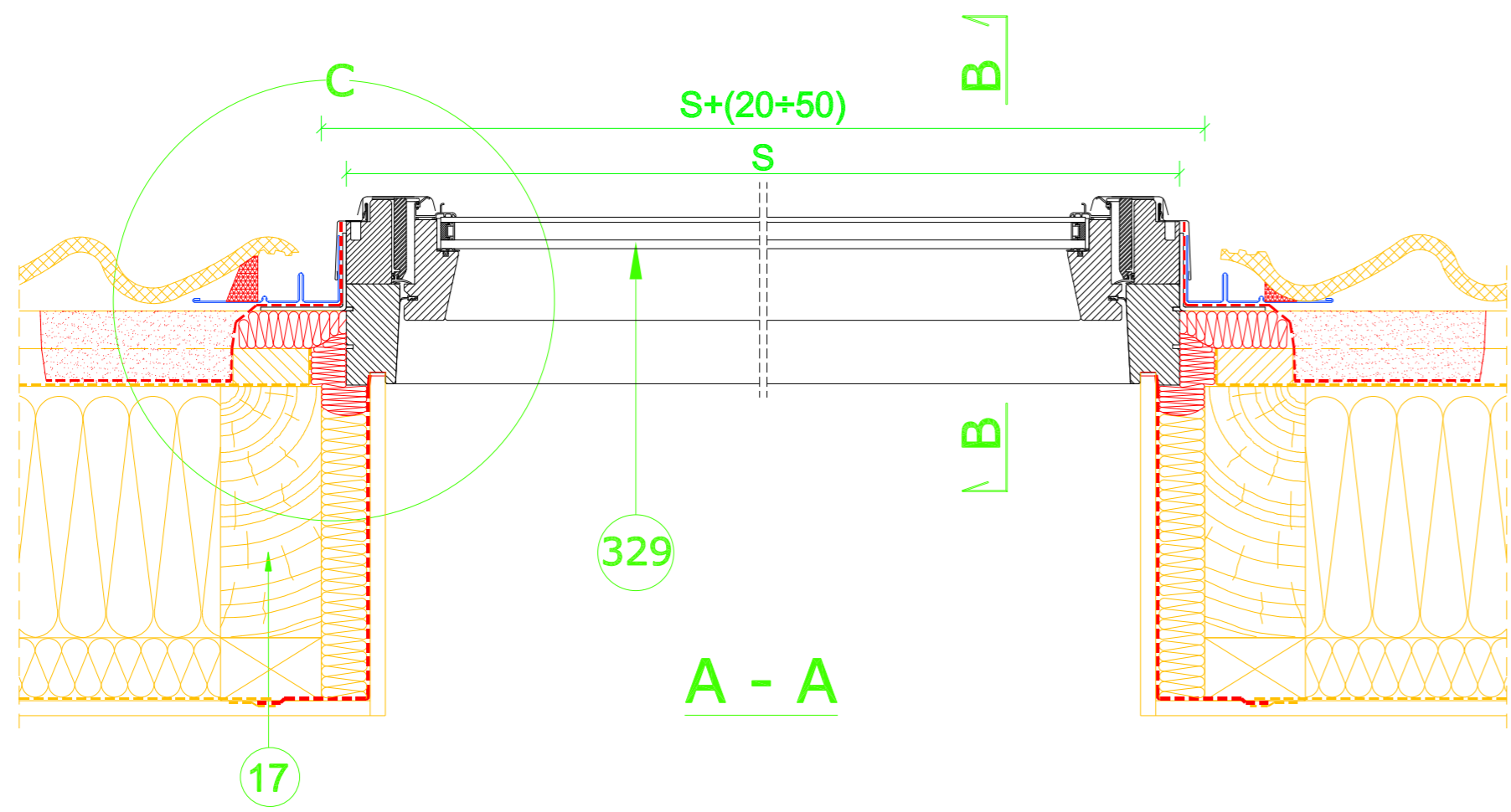
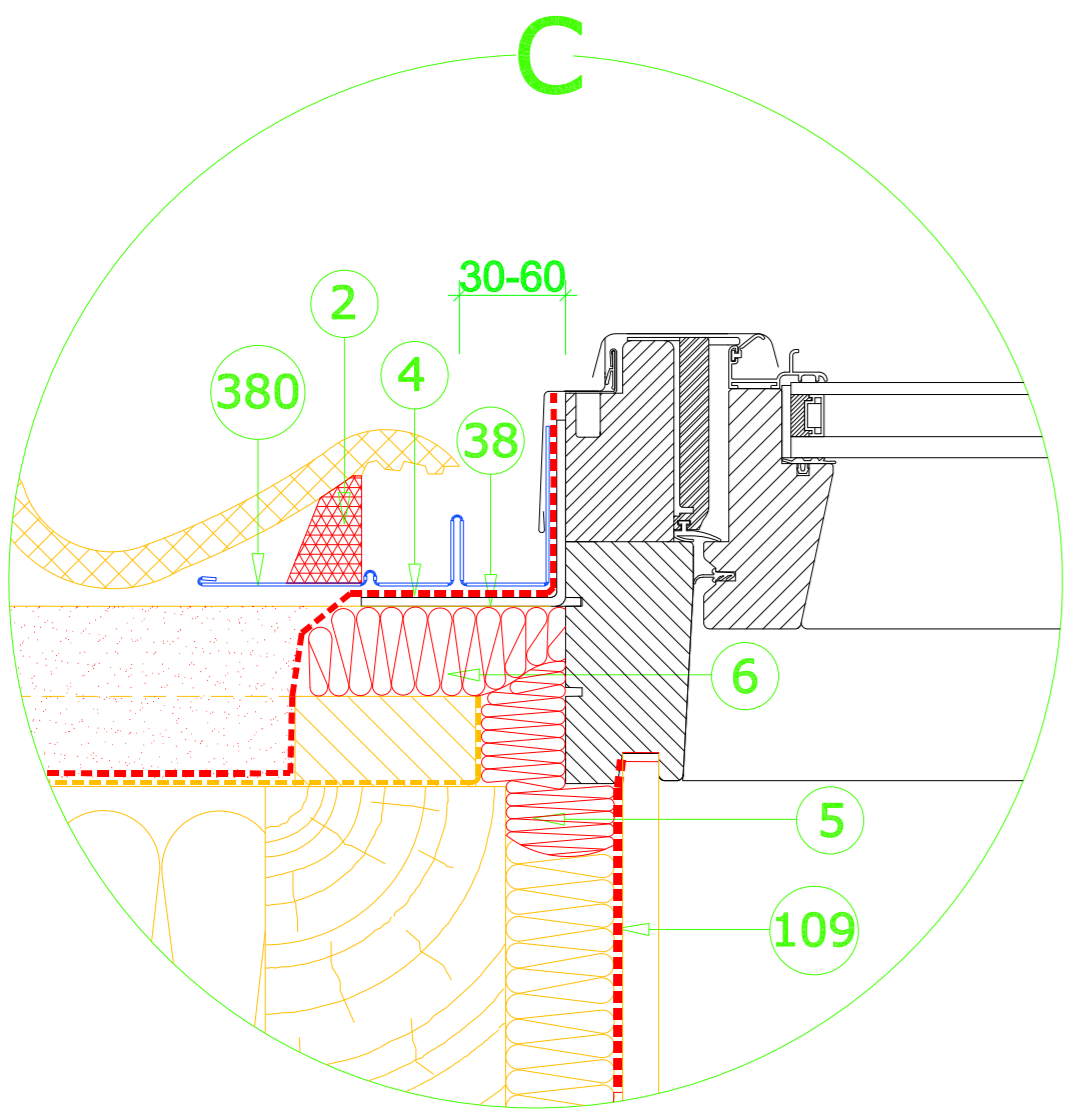
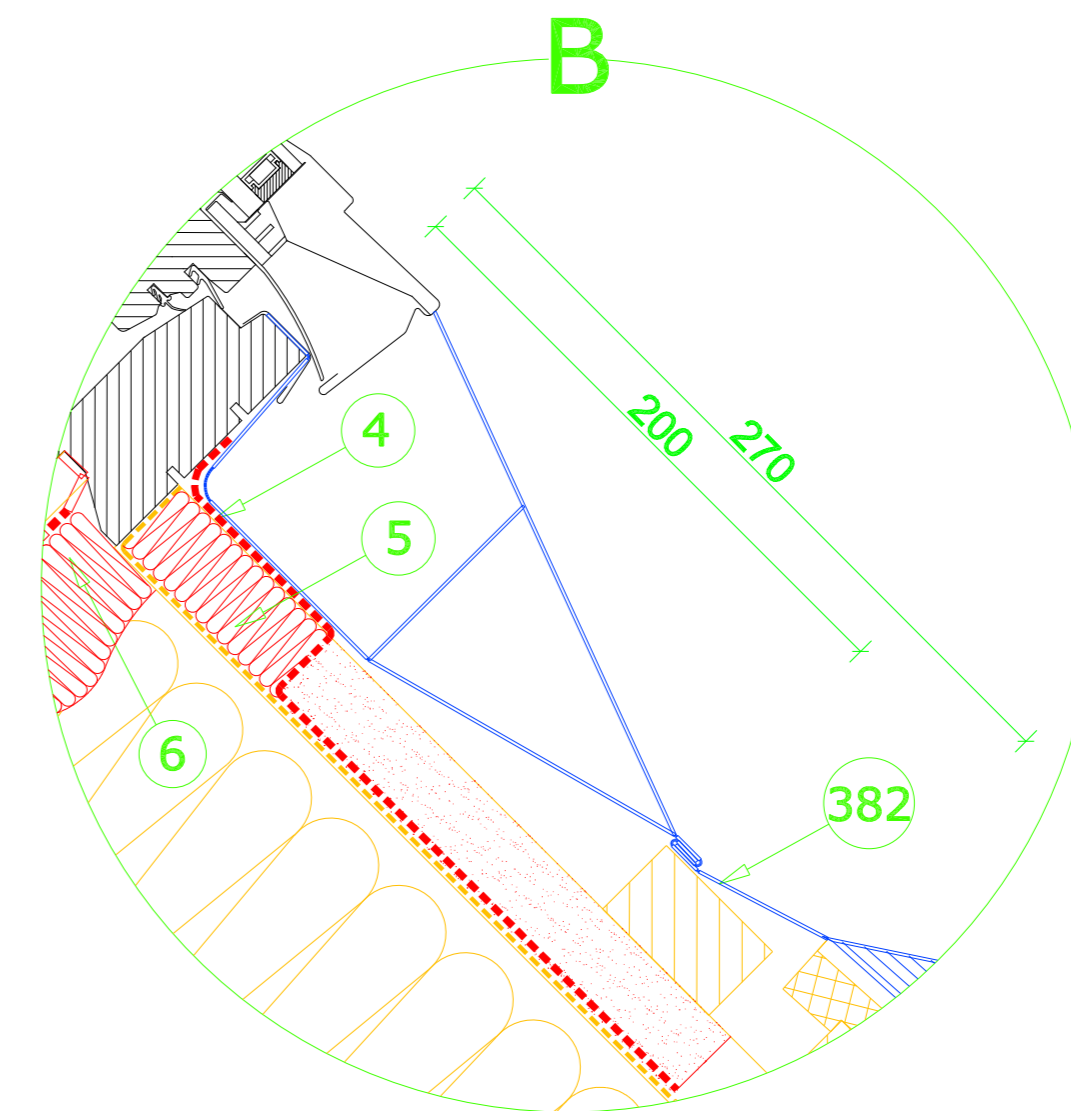
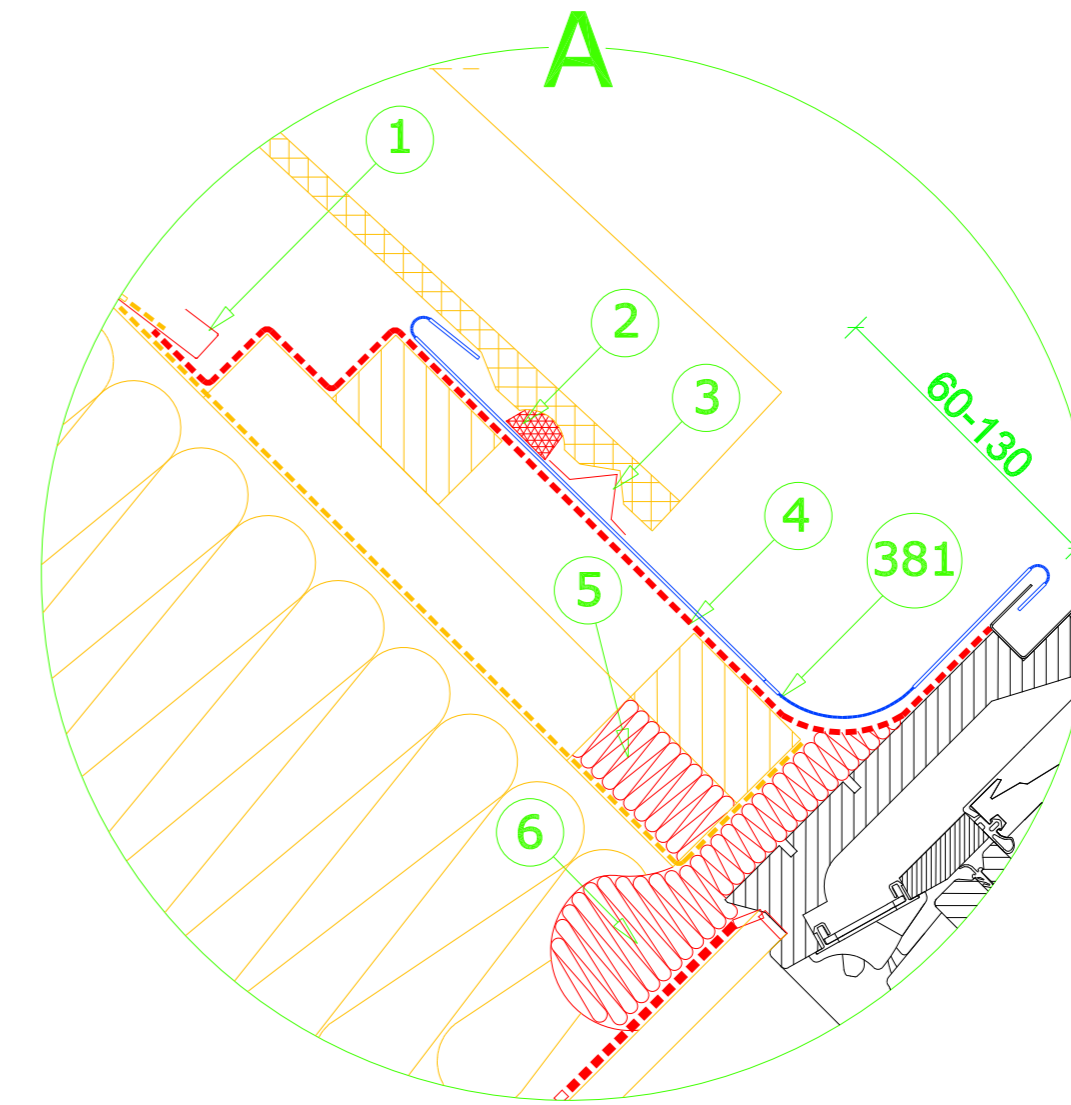
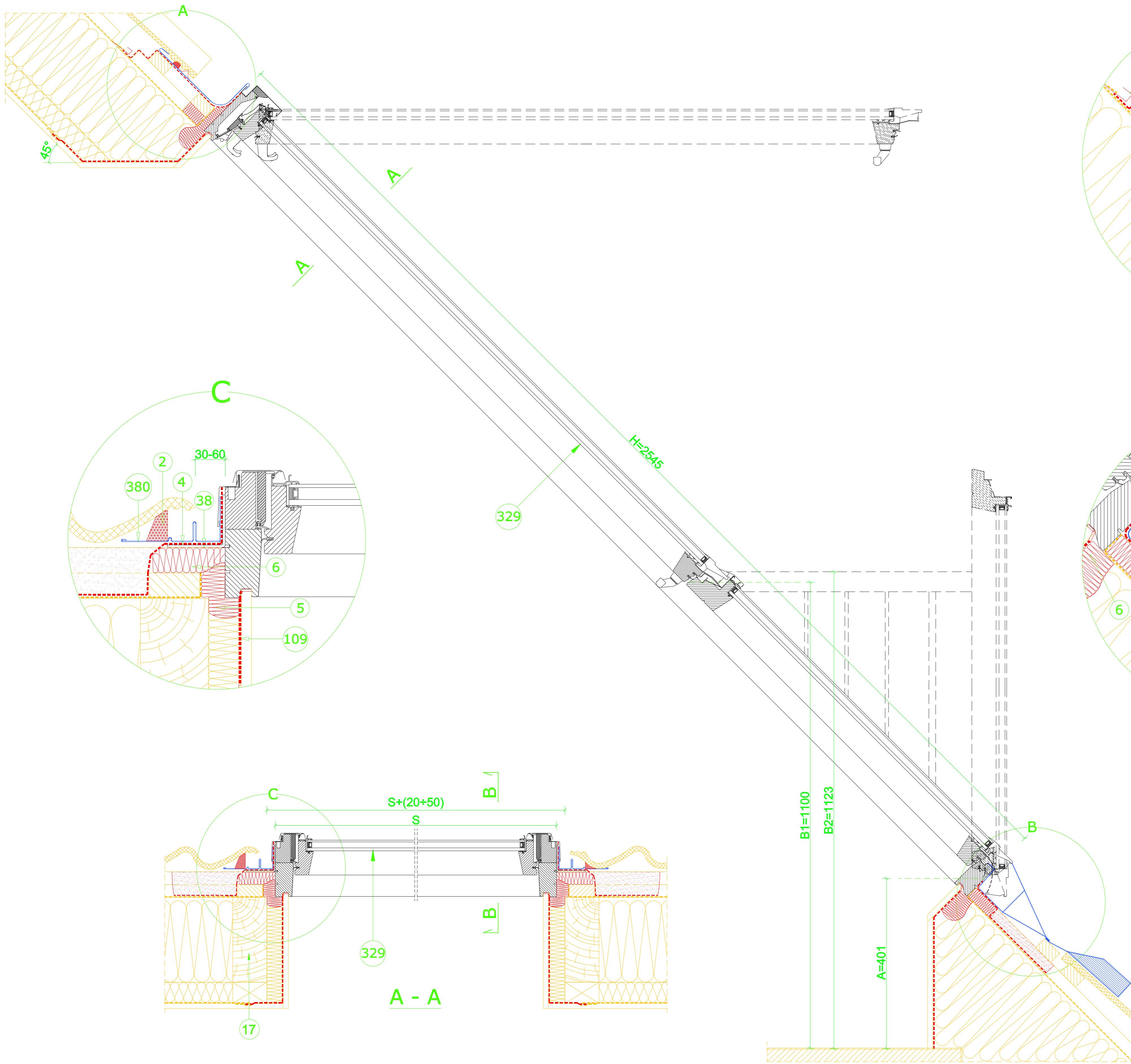
35° - 55°

Vertical and horizontal cross-section:
FGH-V P2 with EHV-A/G flashing for high-profiled roofing material.

FORMAT: A3 SCALE: 1:10/1:5 DATE: 06.2022

Warning! The present drawing is for informational-demonstrative purposes only and as such cannot constitute a basis for performance. All dimensions presented in this drawing should be verified on site. Because of the fact that the drawing is a schematic one, FAKRO shall not assume any responsibility for the actual installation quality on the roof. This drawing is FAKRO's property and cannot be published or used publicly without our written consent.

B - B

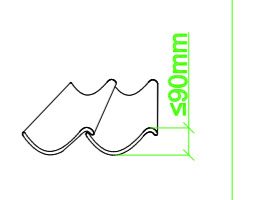
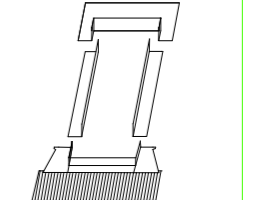
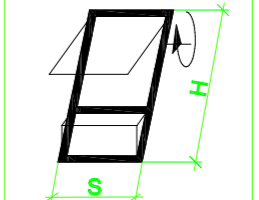


α [°]	A [mm]	B1 [mm]	B2 [mm]
35°-38°	191	800	840
	241	850	890
	291	900	940
	341	950	990
	391	1000	1040
39°-41°	441	1050	1090
	491	1100	1140
	541	1150	1190
	591	1200	1240
	641	1250	1290
42°-45°	691	1300	1340
	741	1350	1390
	791	1400	1440
	841	1450	1490
	891	1500	1540
46°-49°	941	1550	1590
	991	1600	1640
	1041	1650	1690
	1091	1700	1740
	1141	1750	1790
50°-52°	1191	1800	1840
	1241	1850	1890
	1291	1900	1940
	1341	1950	1990
	1391	2000	2040
53°-55°	1441	2050	2090
	1491	2100	2140
	1541	2150	2190
	1591	2200	2240
	1641	2250	2290

- 1-Water draining gutter FAKRO
- 2-Polyurethane insulating wedge
- 3-Tile supporting profile
- 4-XDP FAKRO vapour permeable collar
- 5-Tress made of sheep wool FAKRO (XDP)
- 6-Blocks made of sheep wool FAKRO (XDP)
- 17-Rafter
- 38-Installation bracket FAKRO
- 109-XDS air-tight flashing FAKRO
- 329-FGH-V P2 Galeria
- 380-EHV-A/G flashing side element FAKRO
- 381-EHV-A/G flashing upper element FAKRO
- 382-EHV-A/G flashing lower element FAKRO

FGH-V P2

Frame width S[mm]	Frame height H[mm]	Window symbol
777	2545	02
937	2545	03



Vertical and horizontal cross-section:
FGH-V P2 with EHV-A/G flashing for high-profiled roofing material.

FORMAT:	SCALE:	DATE:
A3	1:10/1:5	06.2022

Warning! The present drawing is for informational-demonstrative purposes only and as such cannot constitute a basis for performance. All dimensions presented in this drawing should be verified on site. Because of the fact that the drawing is a schematic one, FAKRO shall not assume any responsibility for the actual installation quality on the roof. This drawing is FAKRO's property and cannot be published or used publicly without our written consent.