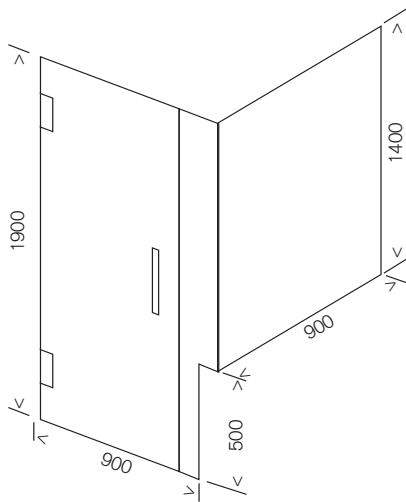


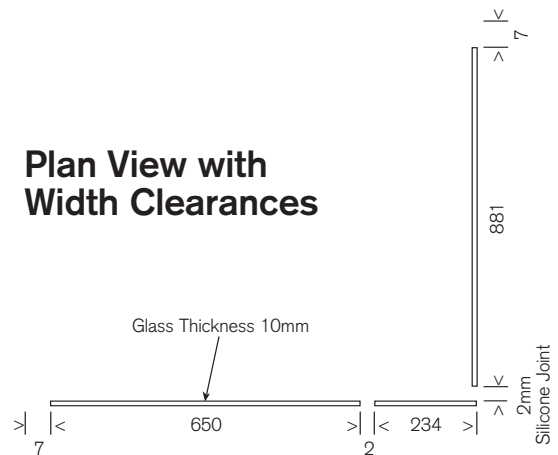
SHOWER SETOUT EXAMPLES

Shower Type: Wall Hung Square Stepped for Bath

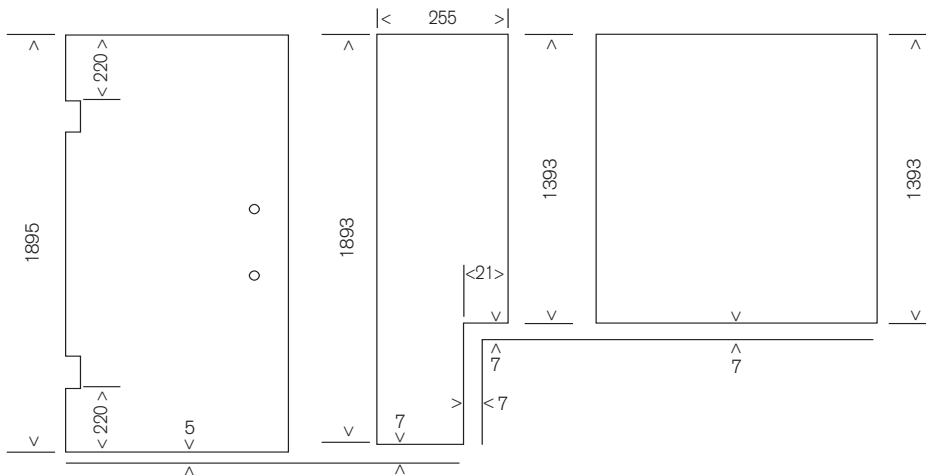
Overall Shower Sizes



Plan View with Width Clearances



Elevation with Height Clearances



Hardware List

- 2 x MF1 Hinges
- 3.5m x CS18 Channel
- 1 x 650mm WD1 Water Deflector
- 1 x Pair Handles (customer's selection)
- 1 x CC Channel End Cap

If a water bar is to be used under the door, allow an additional 5mm clearance under door.