

© 2018. The copyright of this document is the property of Glass Vice Limited and shall not be reproduced, copied, loaned or disposed of directly, or indirectly, nor used for any purpose other than that for which it is specifically furnished without prior consent.

All dimensions in millimetres



GlassVice®
Clearline®

Concrete to Timber Plan

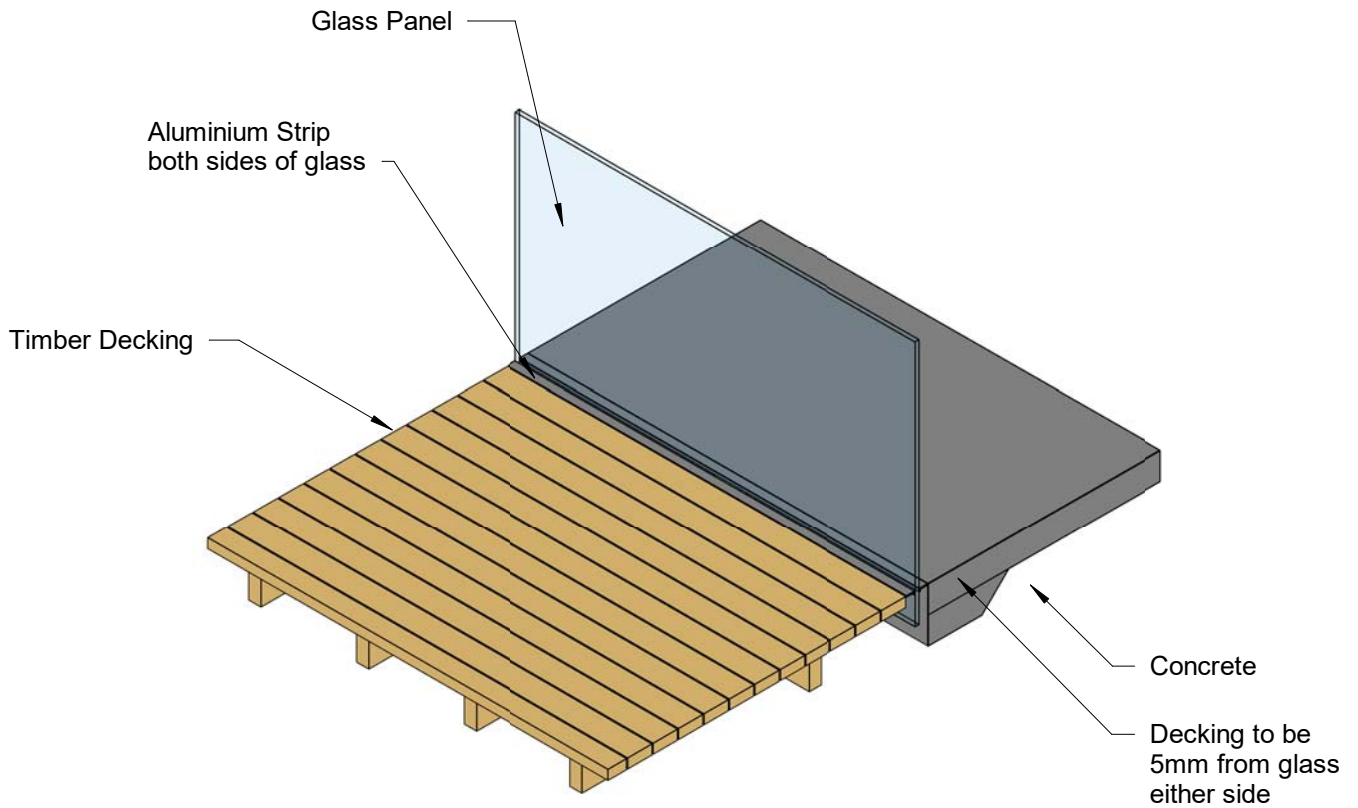
Date: 03 Jul 2018
 Scale: 1 : 10

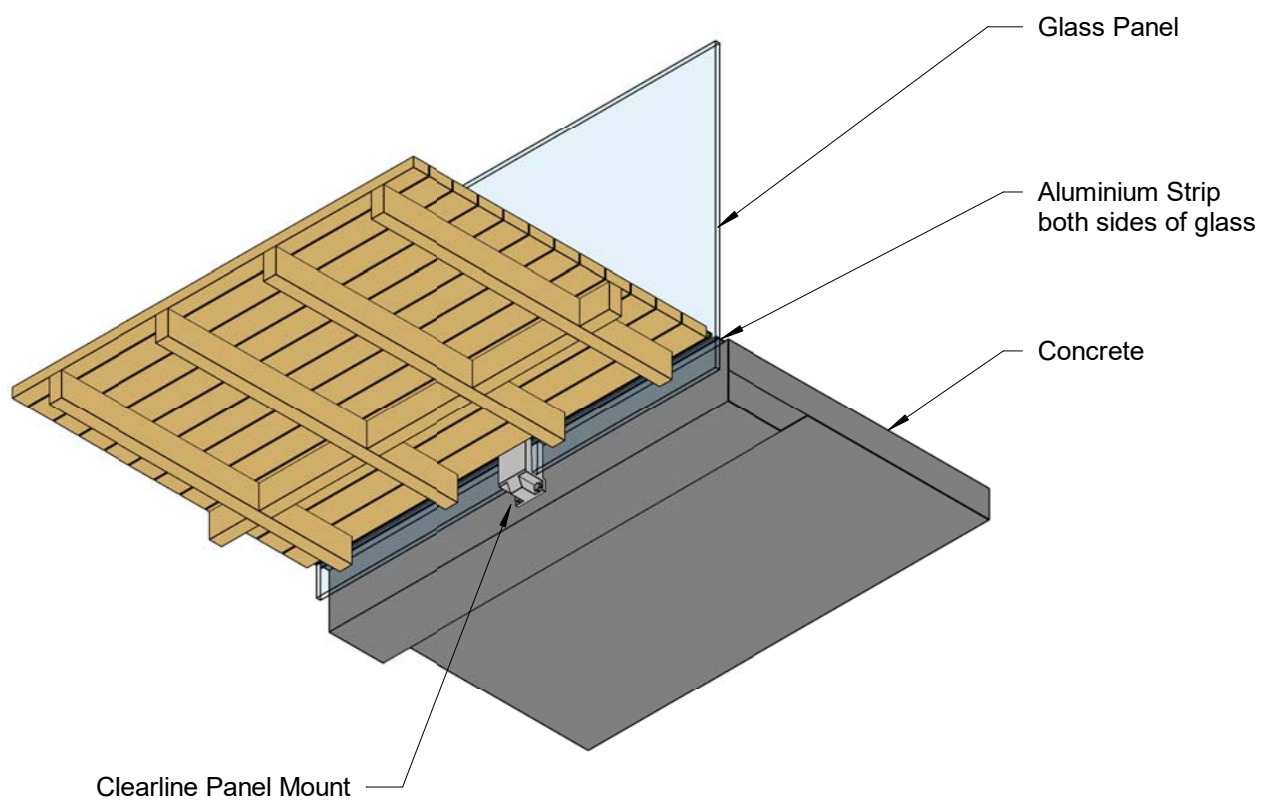
www.glassvice.com
 Phone +64 9 414 6565
 info@glassvice.com

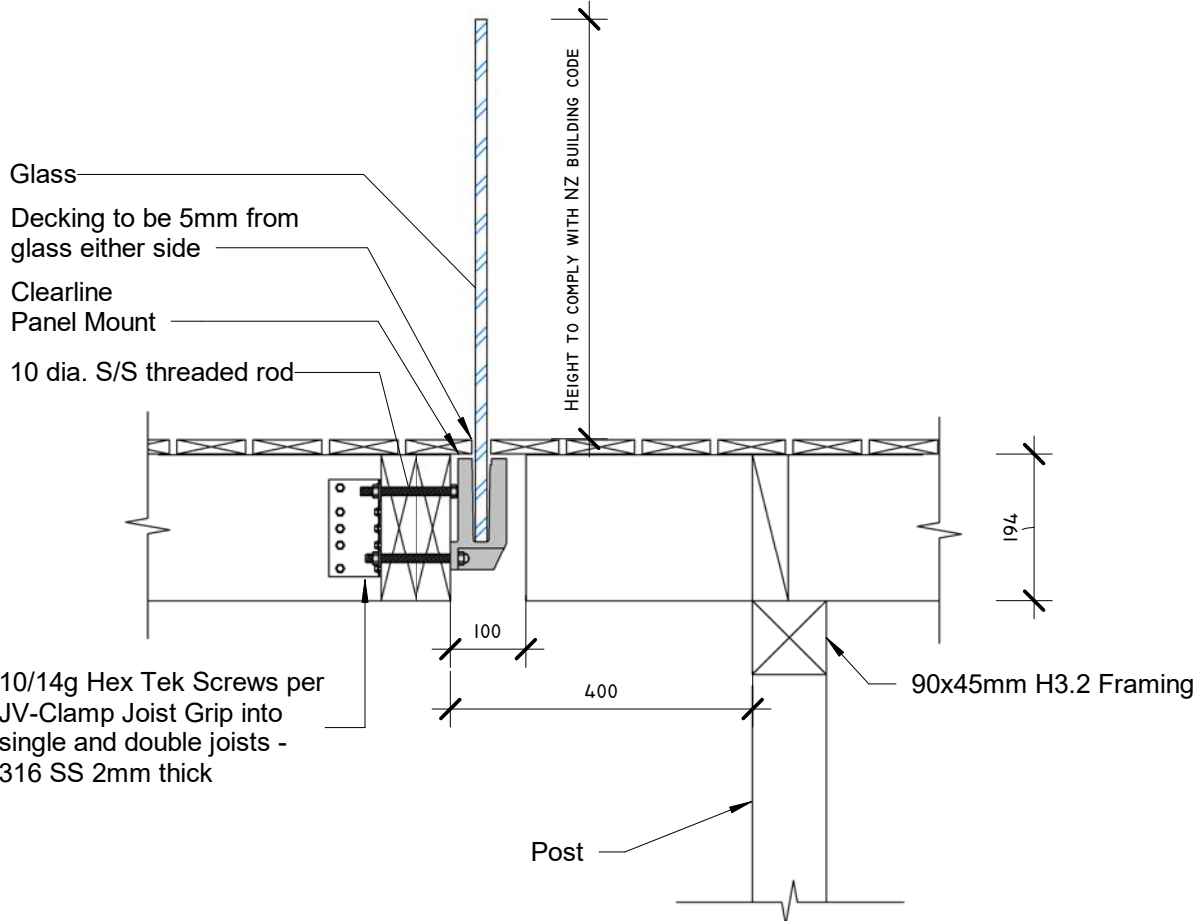
Issue 4

Quick Code:

GV CT02







© 2018. The copyright of this document is the property of Glass Vice Limited and shall not be reproduced, copied, loaned or disposed of directly, or indirectly, nor used for any purpose other than that for which it is specifically furnished without prior consent.

All dimensions in millimetres



GlassVice®
Clearline®

Timber to Timber Deck Junction

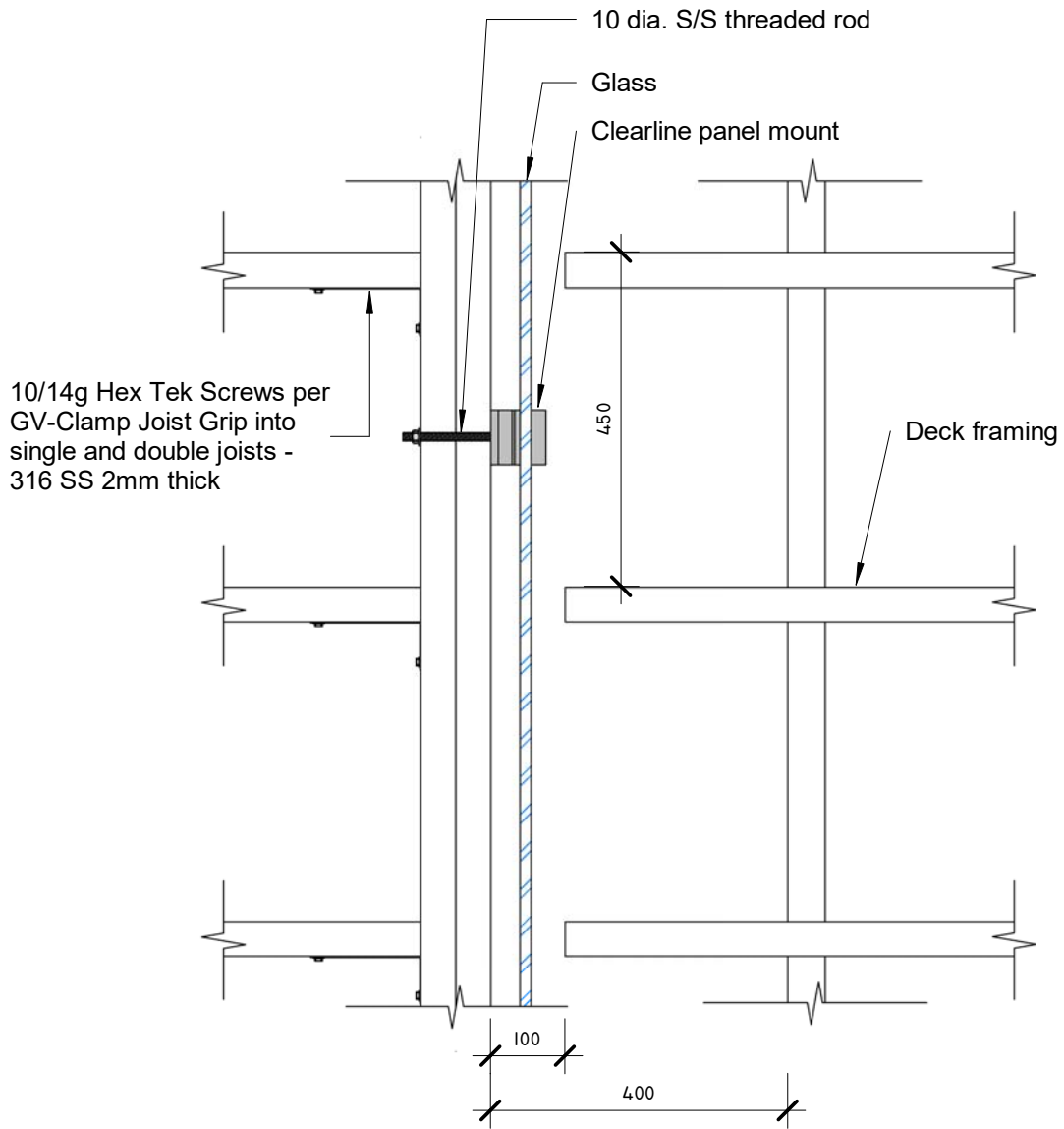
Date: 03 Jul 2018
 Scale: 1 : 10

www.glassvice.com
 Phone +64 9 414 6565
 info@glassvice.com

Issue 4

Quick Code:

GV TT01



© 2018. The copyright of this document is the property of Glass Vice Limited and shall not be reproduced, copied, loaned or disposed of directly, or indirectly, nor used for any purpose other than that for which it is specifically furnished without prior consent.

All dimensions in millimetres



GlassVice®
Clearline®

Timber to Timber Plan

Date: 03 Jul 2018
Scale: 1 : 10

www.glassvice.com
Phone +64 9 414 6565
info@glassvice.com

Issue 4

Quick Code:

GV TT02

