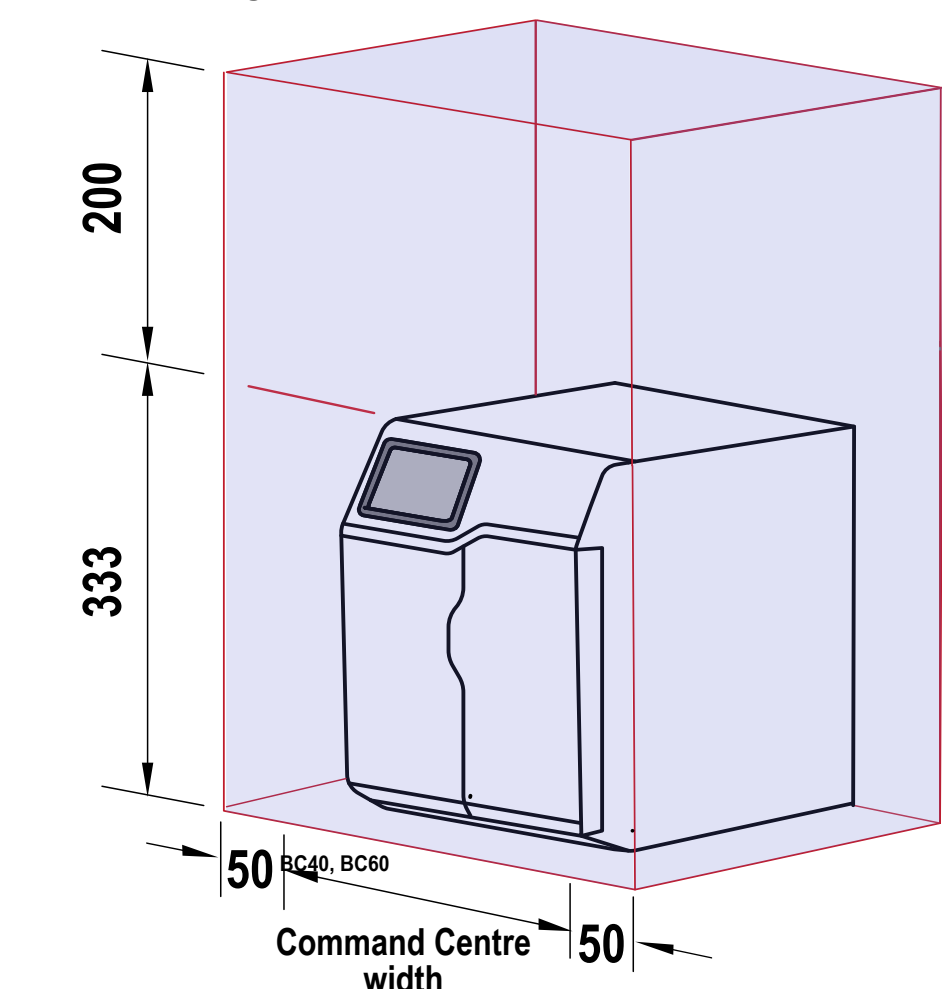


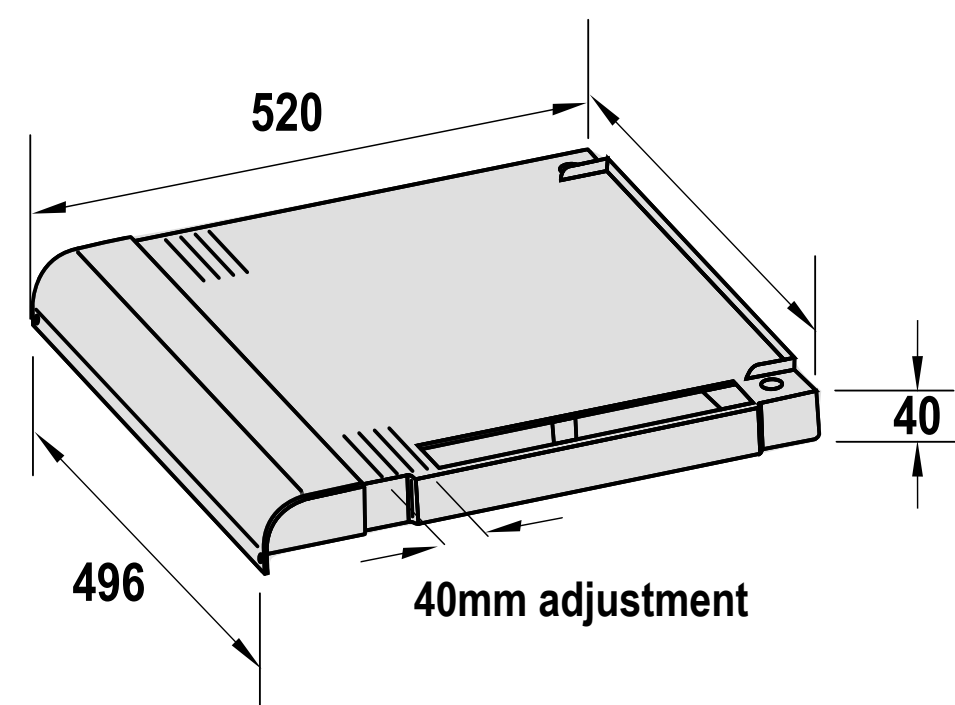
Ventilation requirements Contact your local service provider if ventilation is not suitable

Clearance envelope

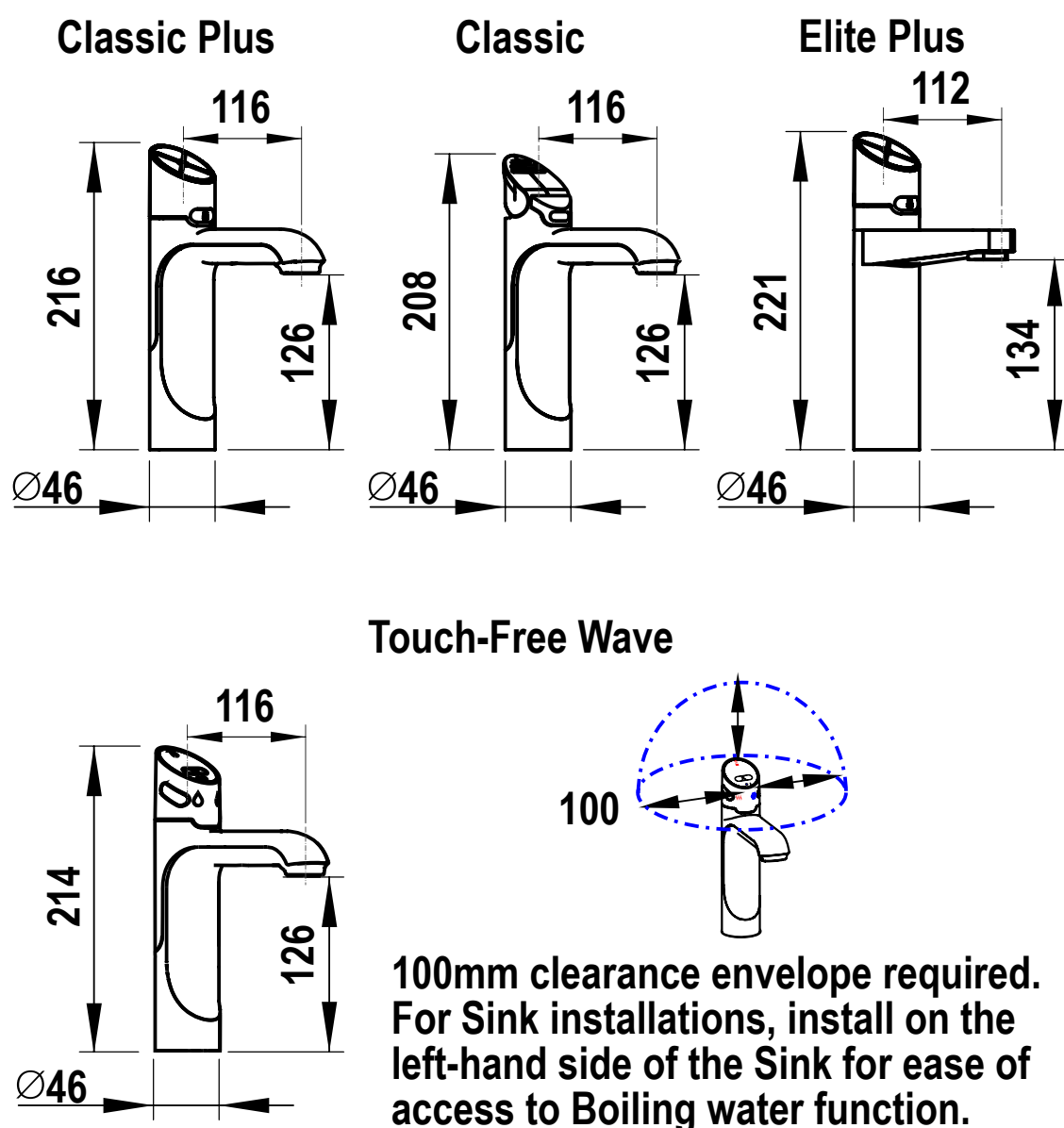
Position the Tap and the Command Centre as close together as possible.



Vent tray (kit no. 93540)

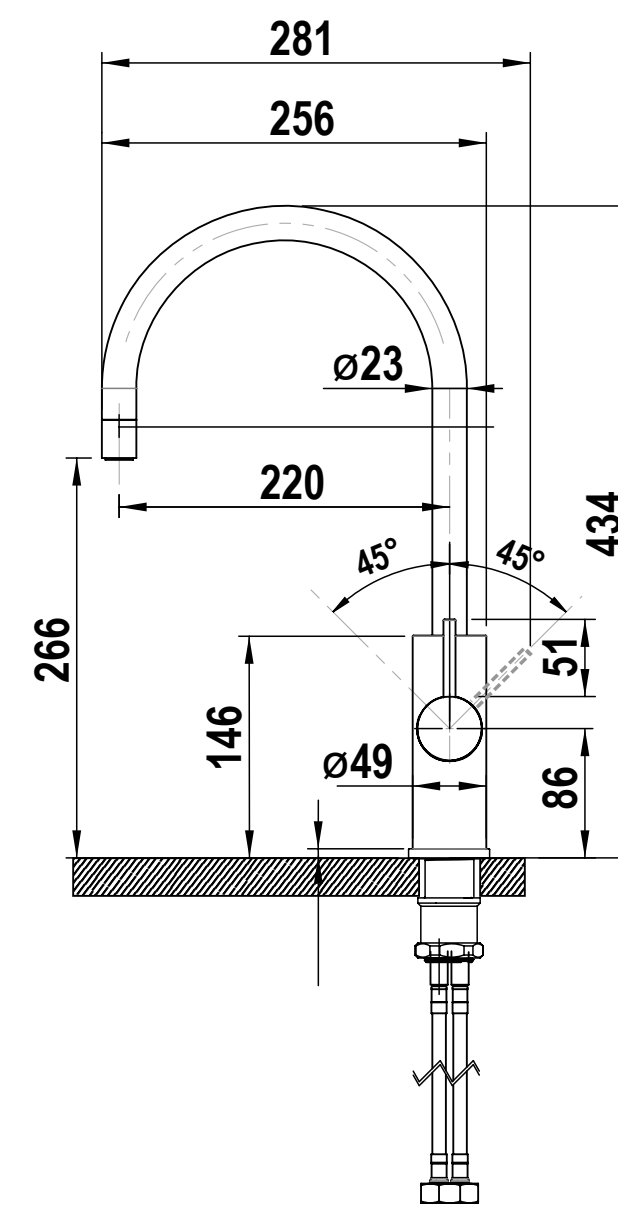


HydroTap Tap options

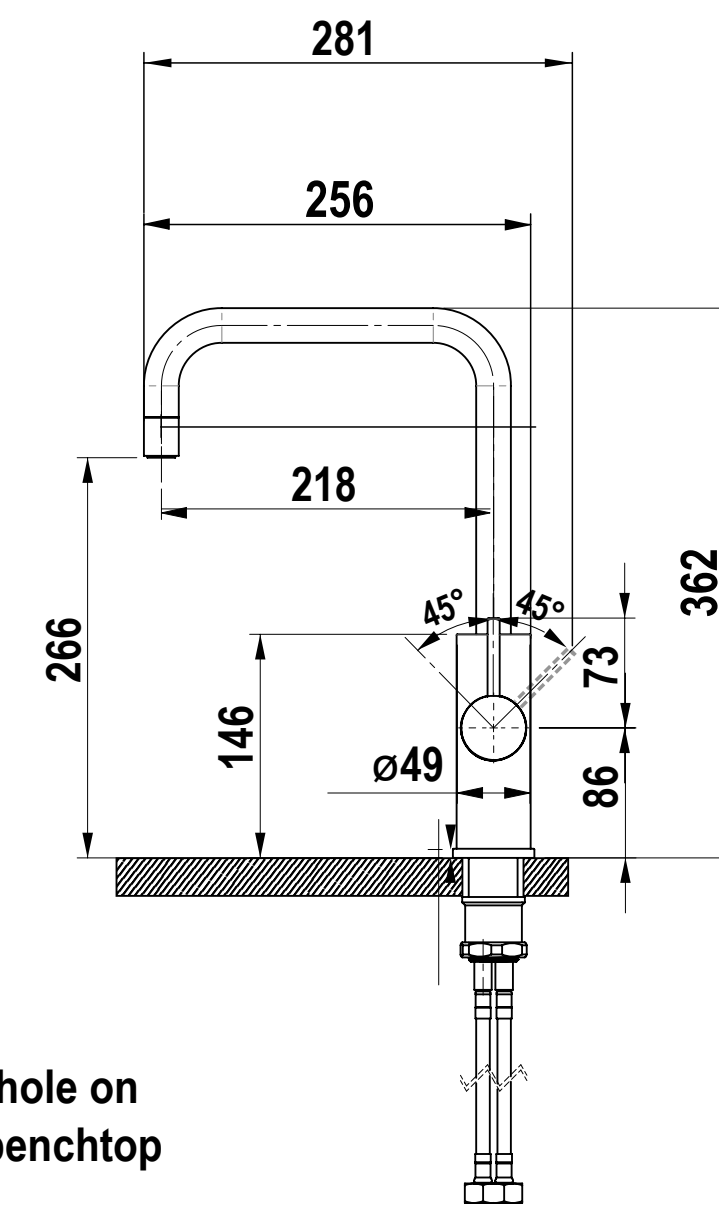


Mixer Tap options

Arc Mixer Tap

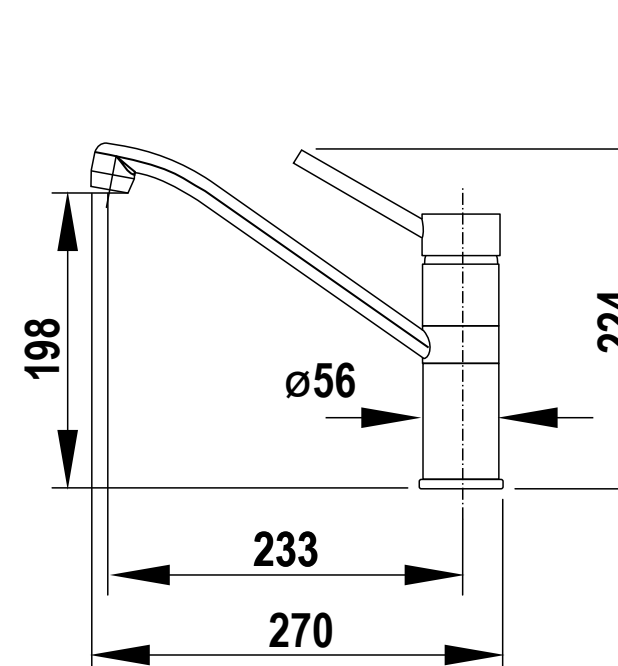


Cube Mixer Tap

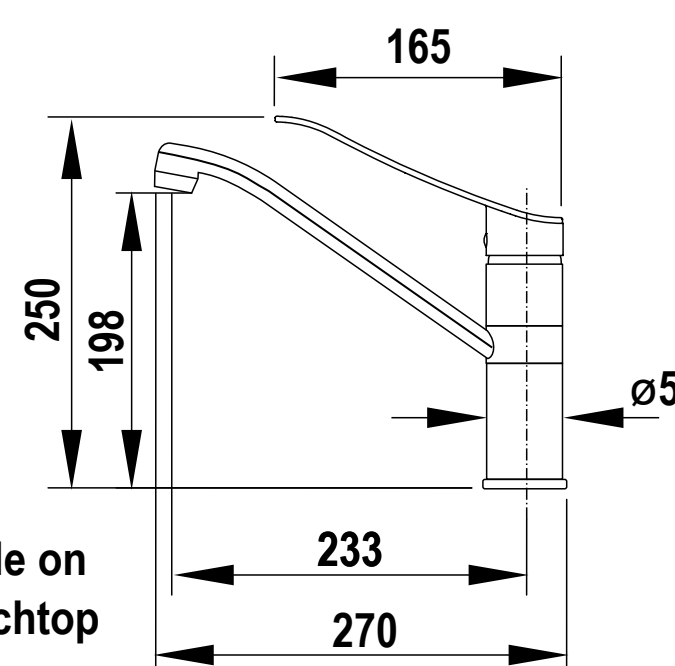


ø35mm hole on sink or benchtop

Classic Mixer Tap

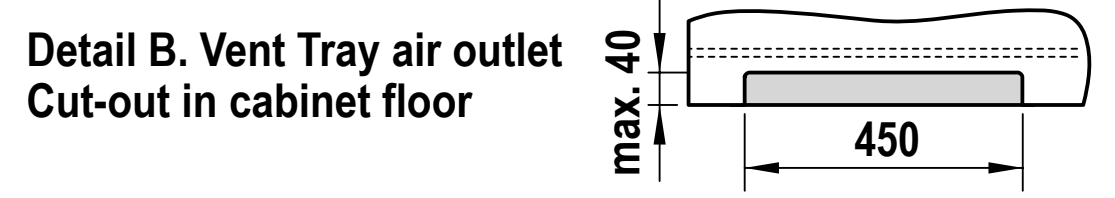
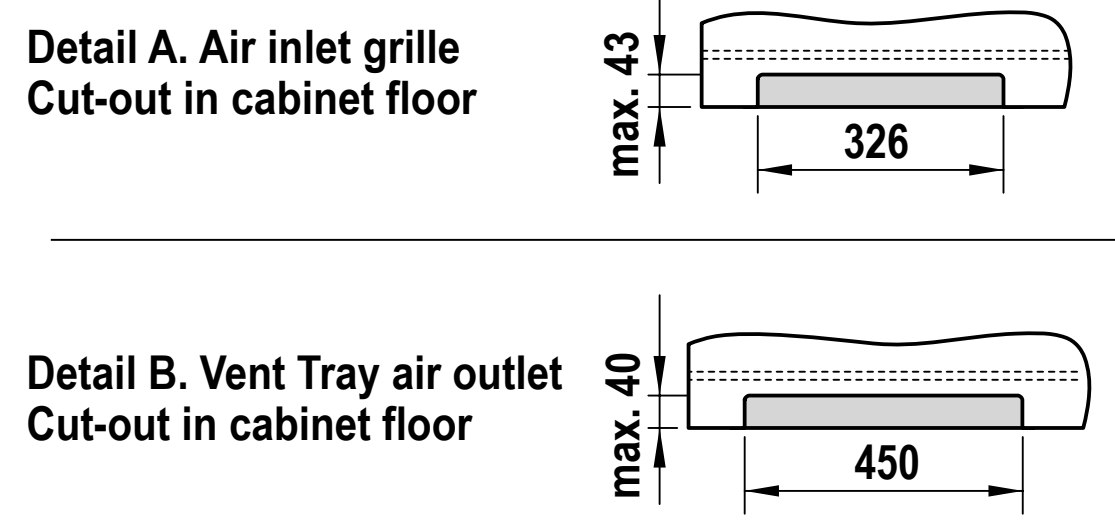
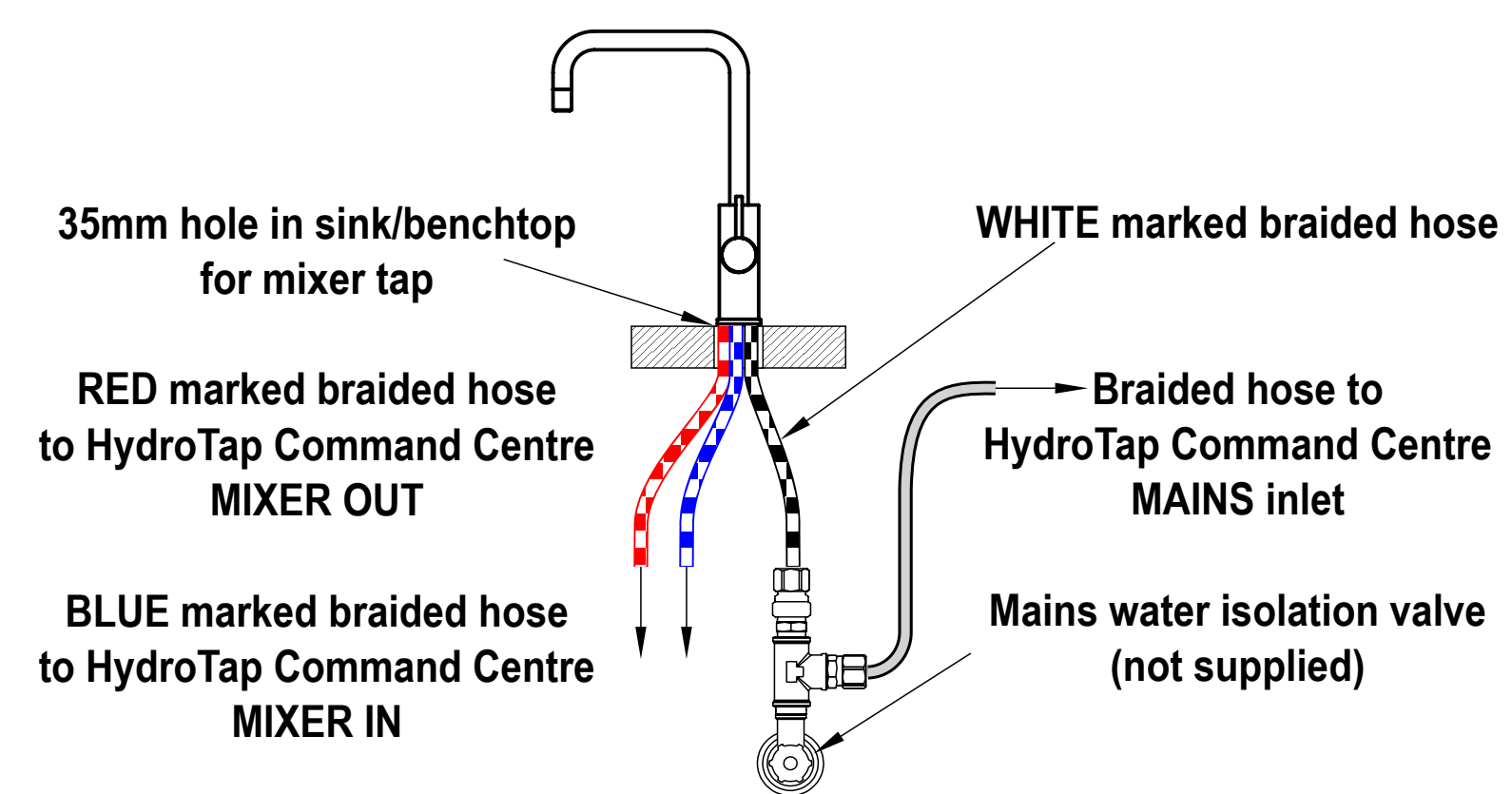


Accessible Mixer Tap



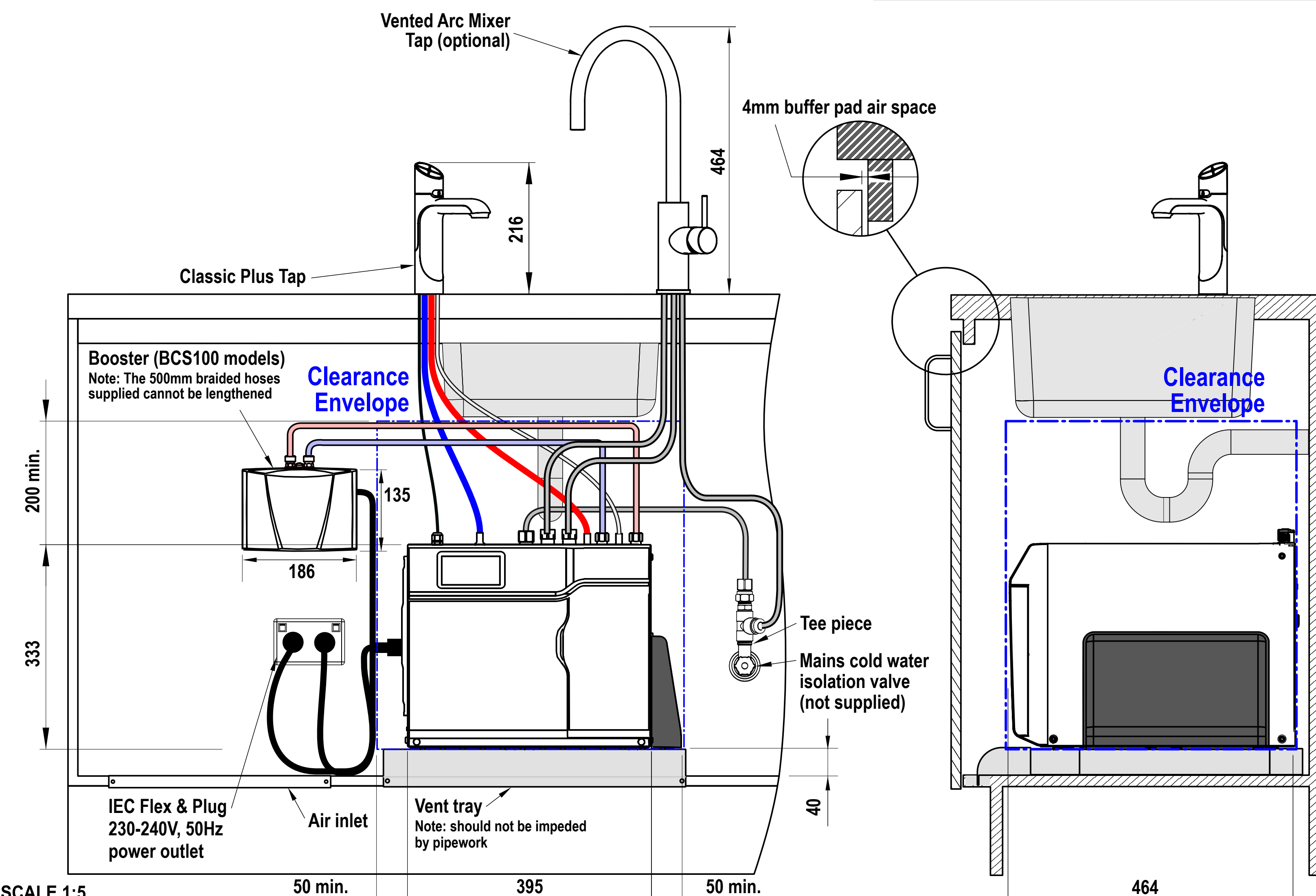
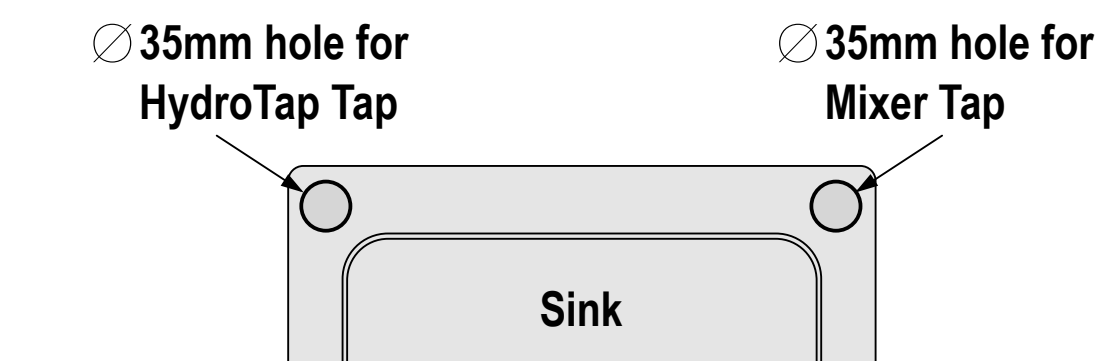
Vented mixer tap installation

Only cold water supply required



Tap Positioning

Position the Tap to dispense into the sink, allowing clearance for a cup or teapot. Alternatively, mount the HydroTap Tap on a Font (available as an accessory).



SCALE 1:5
ALL DIMENSIONS IN MM UNLESS OTHERWISE SPECIFIED. INSTALLATION DIAGRAMS ARE FOR ILLUSTRATIVE PURPOSES ONLY. HOSES ARE NOT SHOWN TO SCALE AND CANNOT BE LENGTHENED.

**HydroTap G5
BC40 H, BC60 H, BC100 H**

shown with "Classic Plus" Tap and Arc Mixer Tap (V)