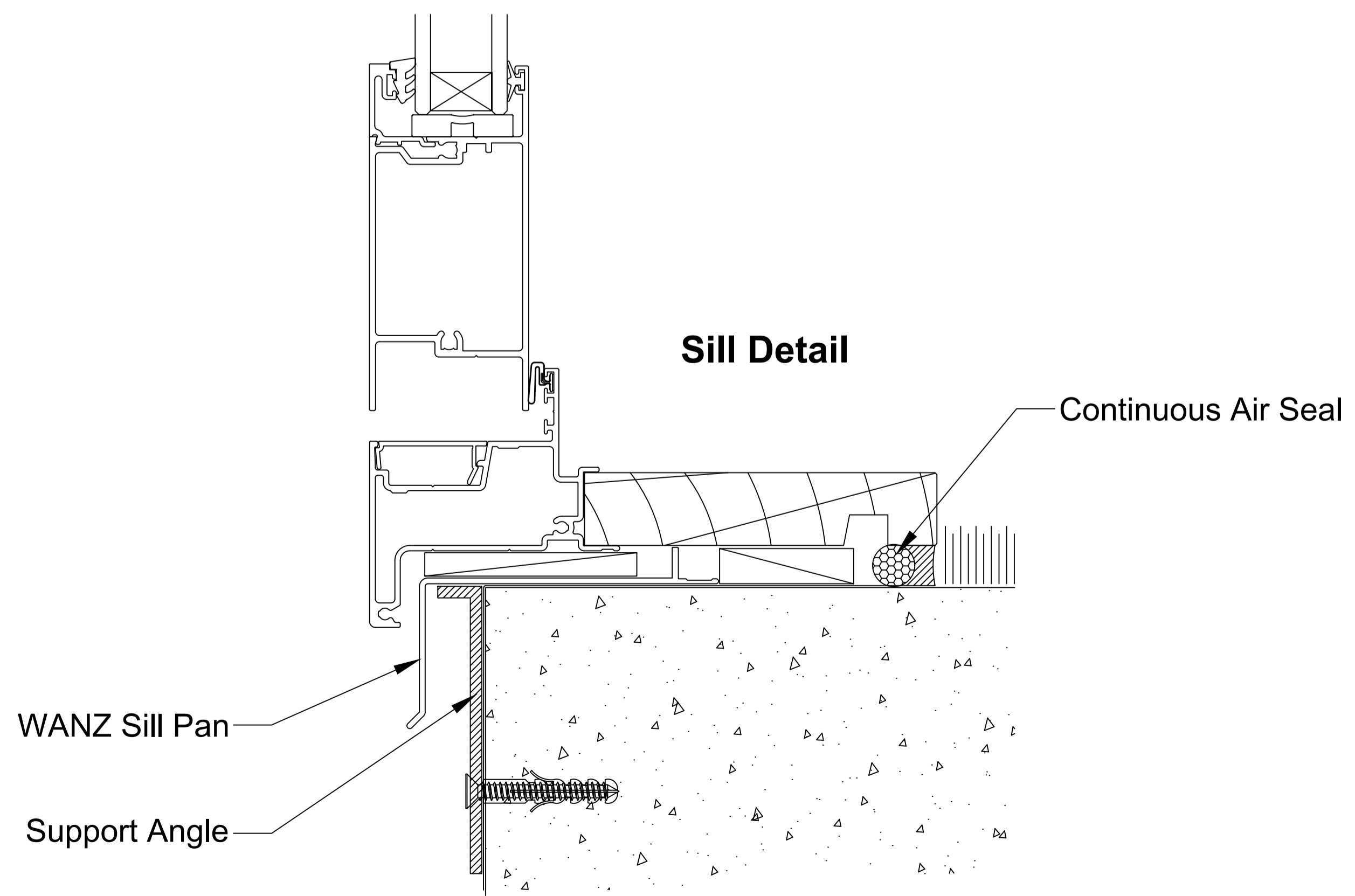
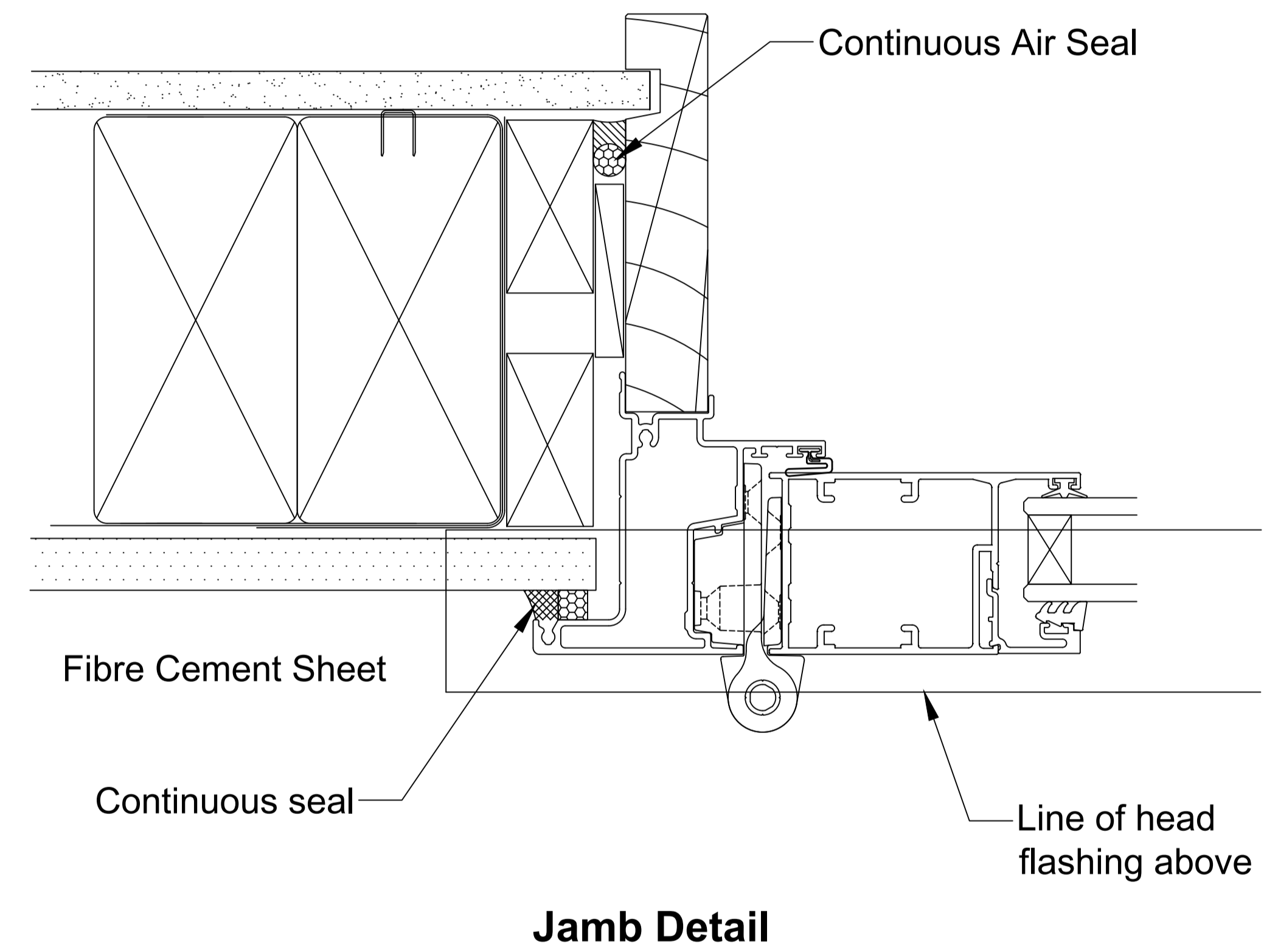
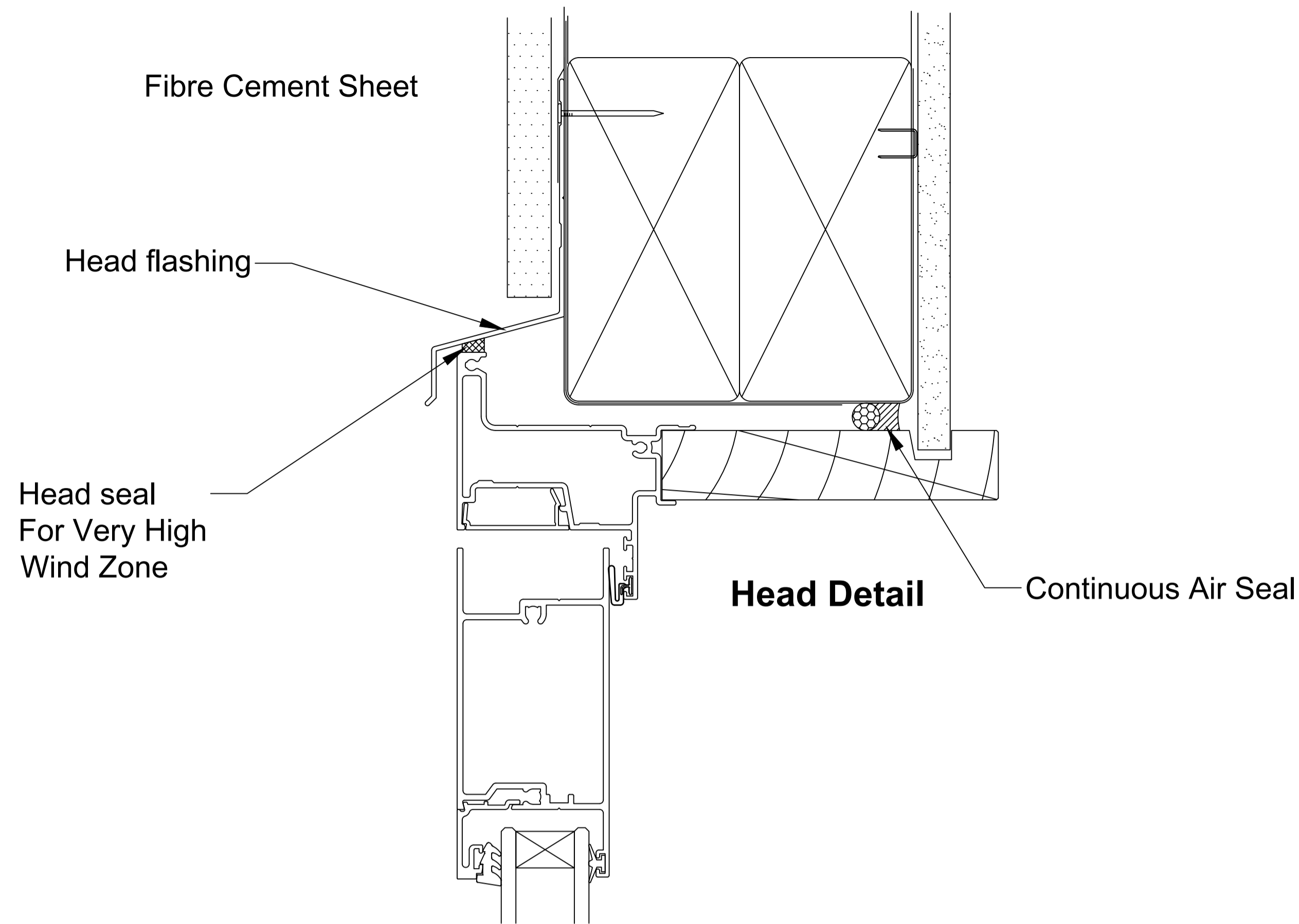


This document is intended as a guide only and is to be used in conjunction with  
 The Wanz Guide to Window Installation as described in E2/AS1 Amendment 5 (see link below)  
<http://www.wanz.org.nz/download/WANZ%20Guide%20to%20E2%20AS1%20Amd%206%20V1.3%20Dec%202014.pdf>

OMEGA WINDOWS AND DOORS  
 BIFOLD DOOR  
 300 SERIES RESIDENTIAL

FIBRE CEMENT SHEET

50.0  
 SCALE 1:1 @ A1

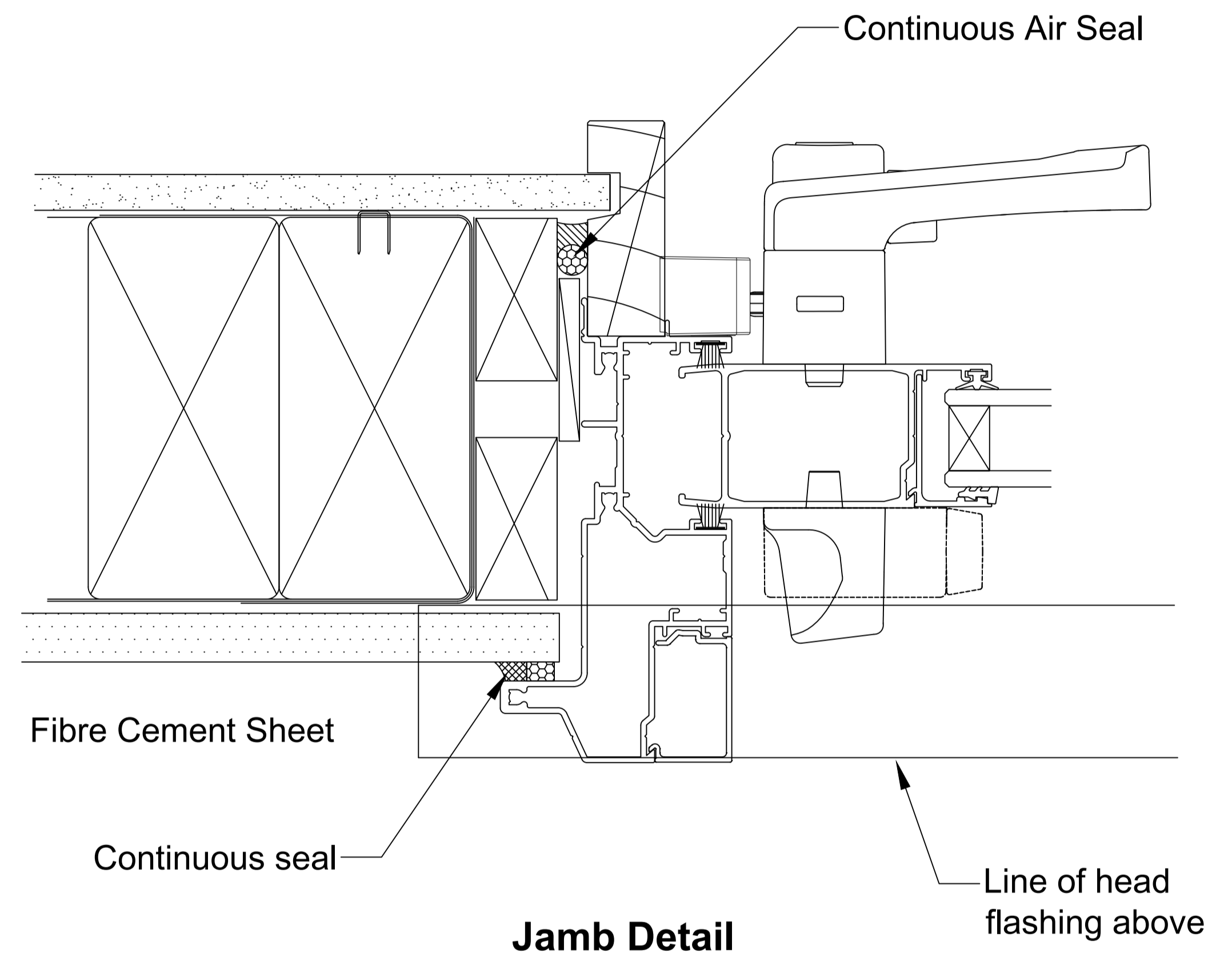
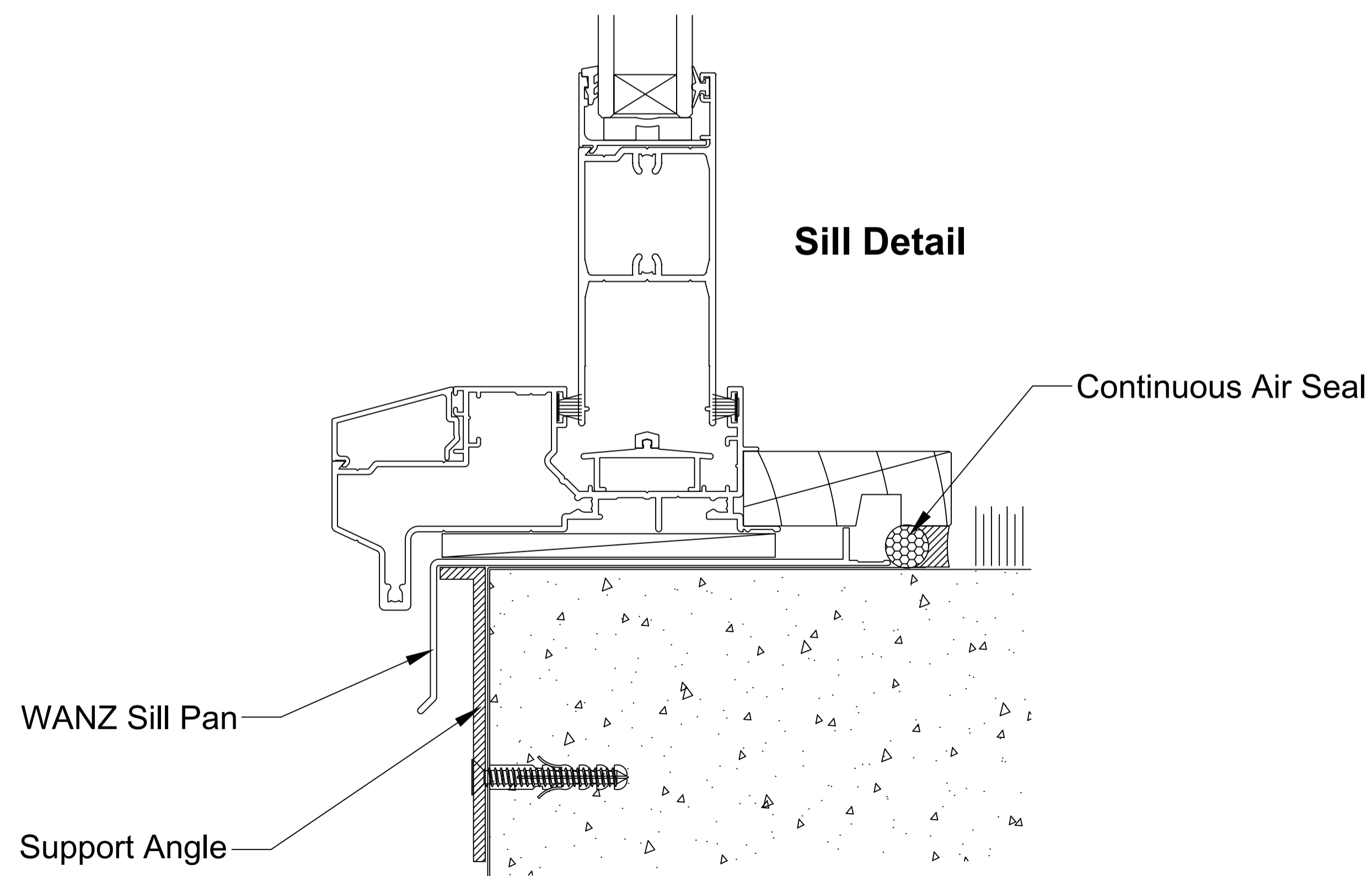
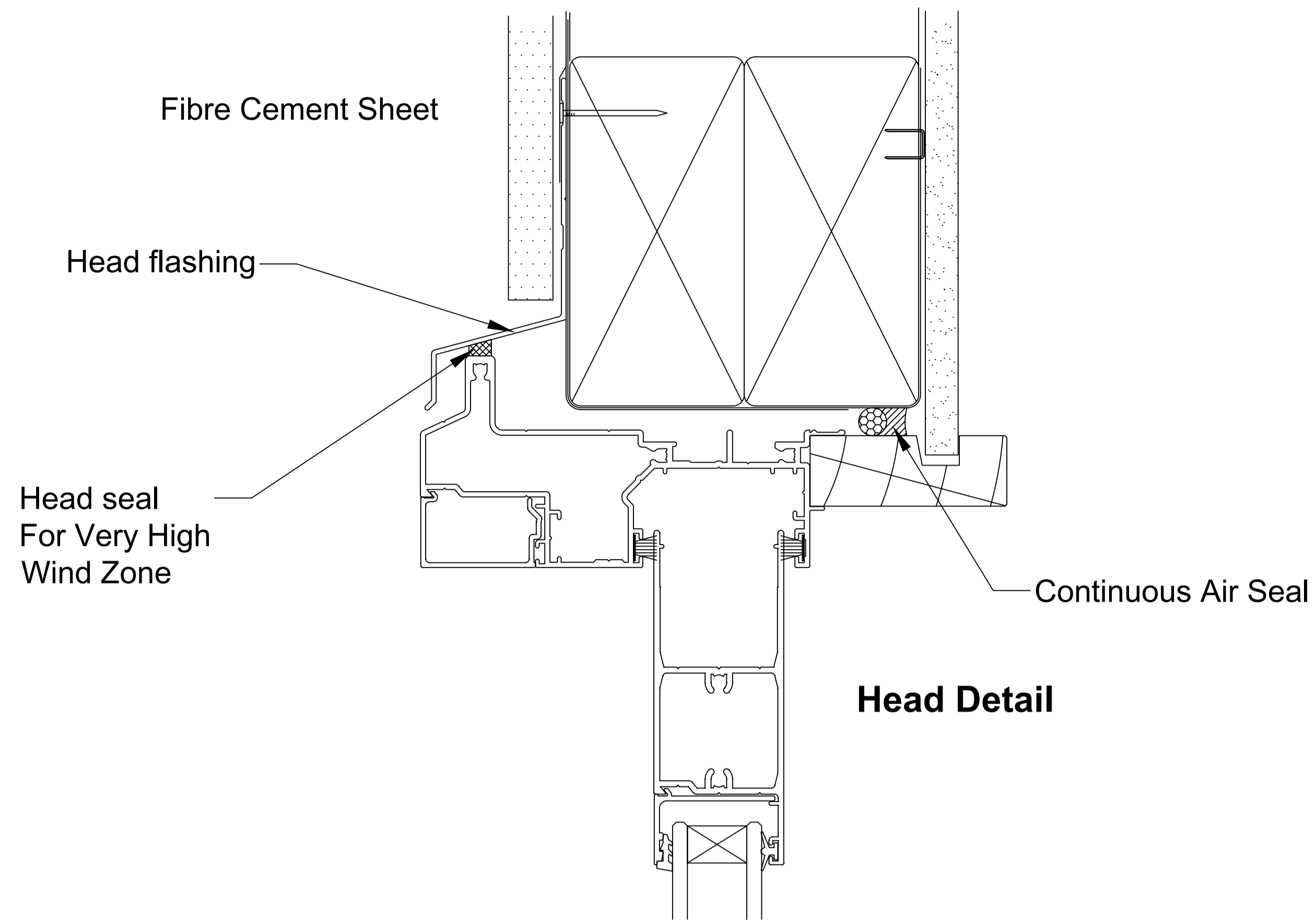


This document is intended as a guide only and is to be used in conjunction with The WANZ Guide to Window Installation as described in E2/AS1 Amendment 5 (see link below) <http://www.wanz.org.nz/download/WANZ%20Guide%20to%20E2%20AS1%20Amd%206%20V1.3%20Dec%202014.pdf>

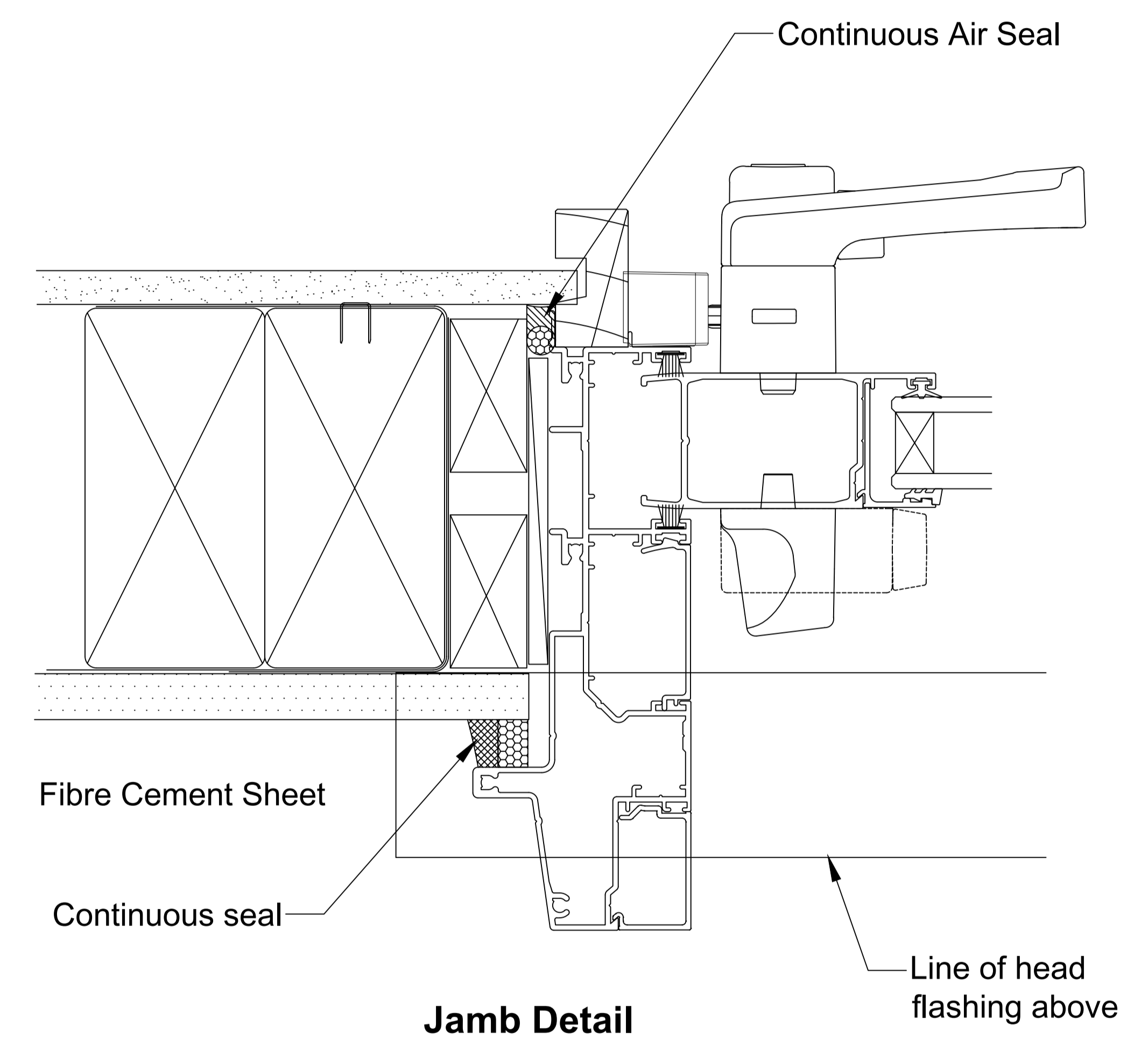
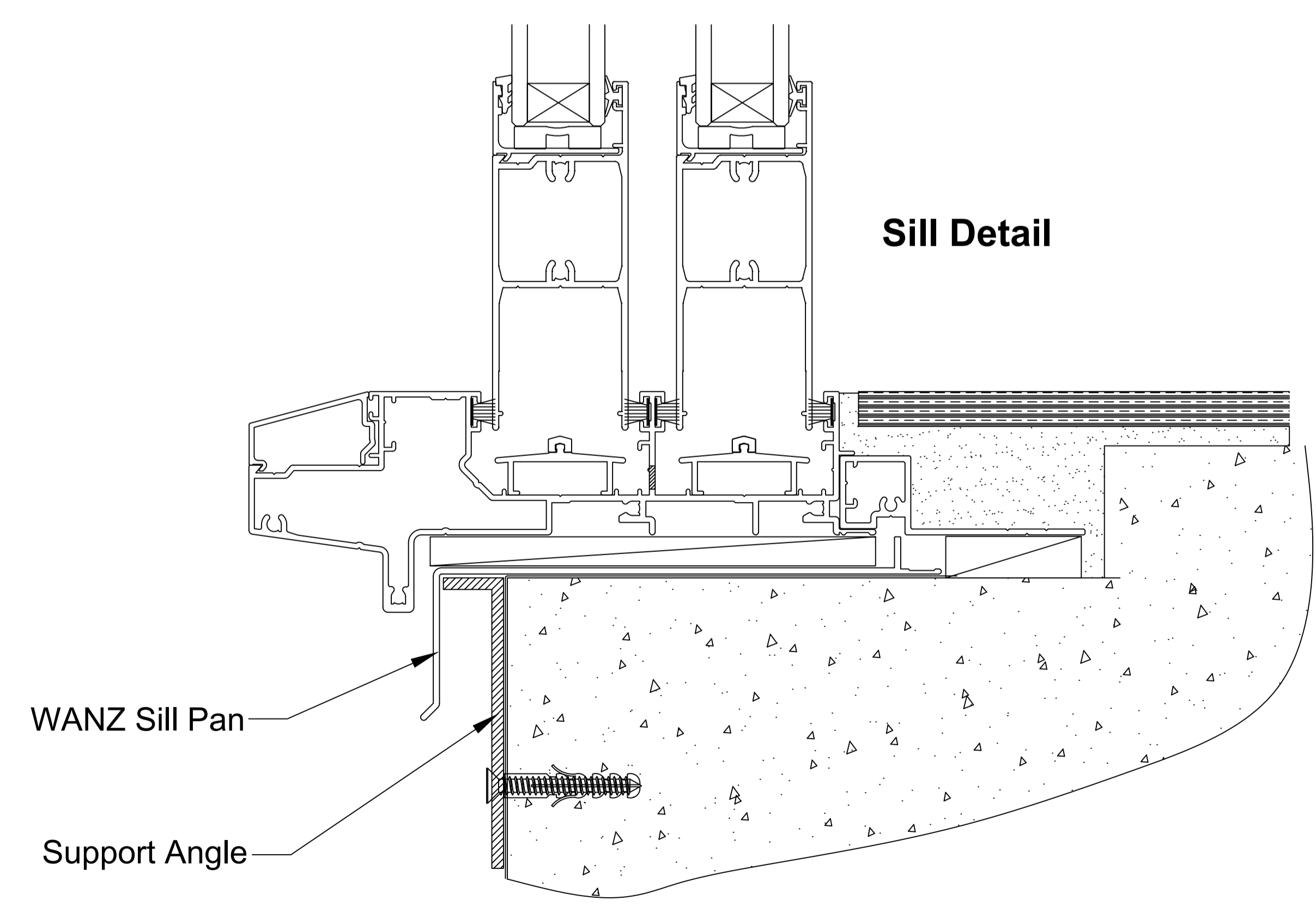
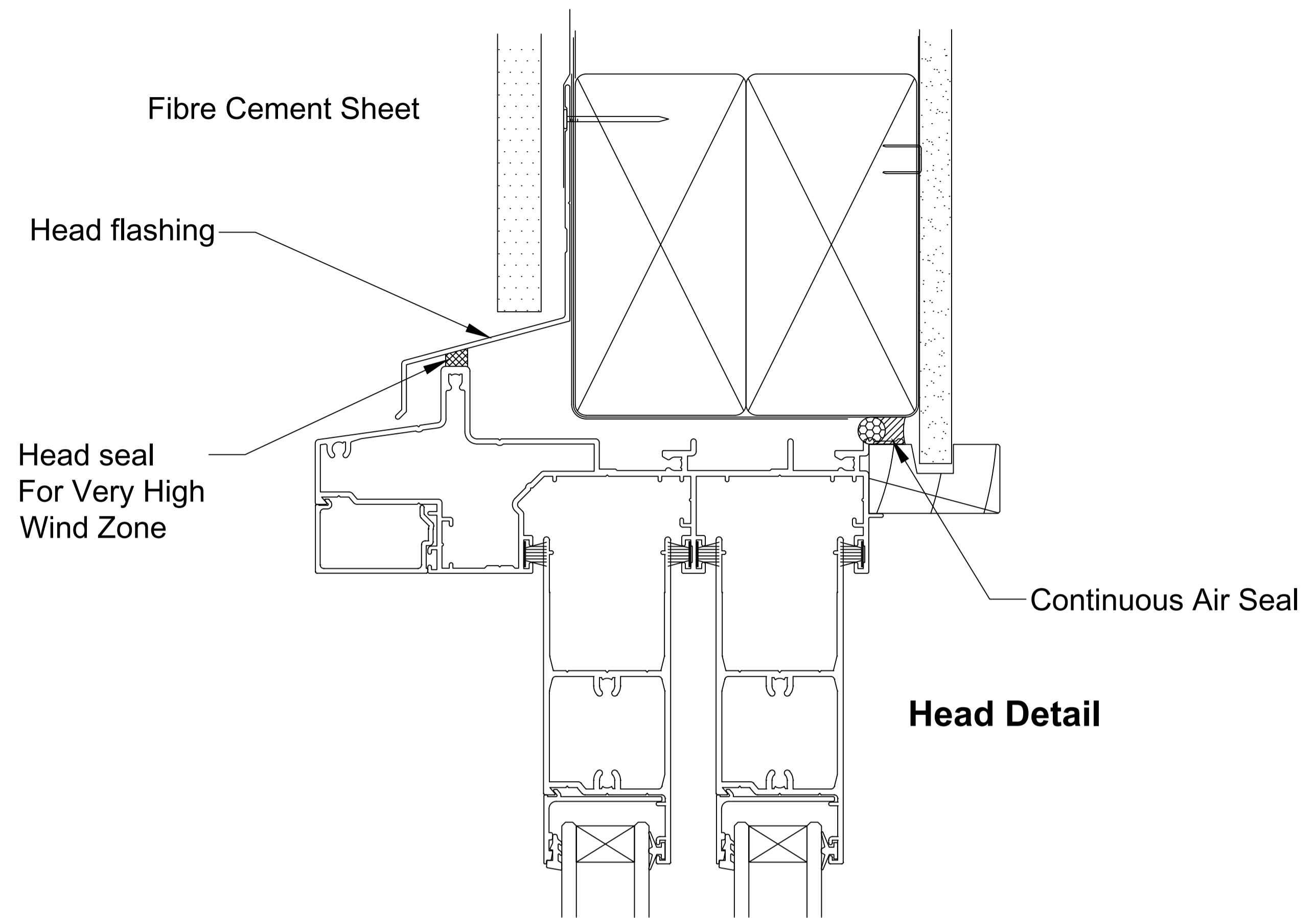
**OMEGA WINDOWS AND DOORS  
HINGE DOOR OPEN OUT  
300 SERIES RESIDENTIAL**

**FIBRE CEMENT SHEET**

50.0  
SCALE 1:1 @ A1







This document is intended as a guide only and is to be used in conjunction with The Wanz Guide to Window Installation as described in E2/AS1 Amendment 5 (see link below) <http://www.wanz.org.nz/download/WANZ%20Guide%20to%20E2%20AS1%20Amd%206%20V1.3%20Dec%202014.pdf>

**OMEGA WINDOWS AND DOORS  
STACKING DOOR  
300 SERIES RESIDENTIAL**

**FIBRE CEMENT SHEET**

50.0  
SCALE 1:1 @ A1

