

ClearVueTM

POLYCARBONATE ROOFING

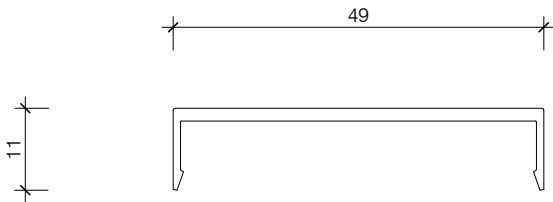
TYPICAL INSTALLATION DETAILS

PSP

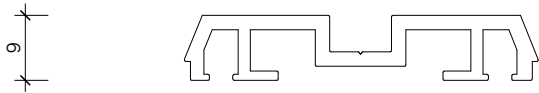
BUILDING BRANDS

www.psp.co.nz

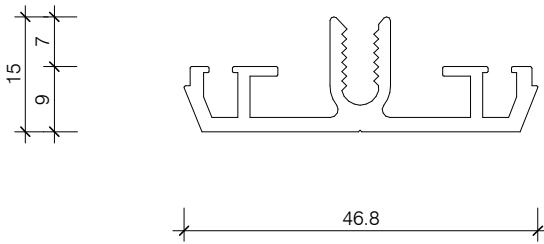
<u>SHEET</u>	<u>DETAIL TYPE</u>	<u>CLADDING TYPE</u>	<u>ISSUED</u>
CV-02	CLEARVUE EXTRUSIONS		25/09/12
CV-03	CLEARVUE GALVANISED BRACKETS		25/09/12
CV-BK-01	RETROFIT APRON DETAIL -	BRICK VENEER	24/07/13
CV-BK-02	RETROFIT APRON DETAIL -	MASONRY BLOCK	24/07/13
CV-BK-03	RETROFIT APRON DETAIL - SADDLE BRACKET-	BRICK VENEER	24/07/13
CV-BK-04	RETROFIT APRON DETAIL - SADDLE BRACKET -	MASONRY BLOCK	24/09/13
CV-BK-05	RETROFIT APRON DETAIL - STEEL PLATE -	BRICK VENEER	24/07/13
CV-BK-06	RETROFIT APRON DETAIL - STEEL PLATE -	MASONRY BLOCK	24/09/13
CV-BK-10	RETROFIT BARGE DETAIL -	MASONRY BLOCK	24/07/13
CV-BK-11	RETROFIT BARGE DETAIL -	BRICK VENEER	24/07/13
CV-BK-12	RETROFIT BARGE DETAIL FOR ALUMINIUM RAFTER -	MASONRY BLOCK	24/07/13
CV-BK-13	RETROFIT BARGE DETAIL FOR ALUMINIUM RAFTER -	BRICK VENEER	24/07/13
CV-FS-01	RETROFIT APRON DETAIL -	FIBRE CEMENT SHEET (CAVITY)	24/07/13
CV-FS-02	RETROFIT APRON DETAIL -	FIBRE CEMENT SHEET (DIRECT FIX)	24/07/13
CV-FS-03	RETROFIT APRON DETAIL - SADDLE BRACKET	FIBRE CEMENT SHEET (CAVITY)	24/07/13
CV-FS-04	RETROFIT APRON DETAIL - SADDLE BRACKET	FIBRE CEMENT SHEET (DIRECT FIX)	24/07/13
CV-FS-05	RETROFIT APRON DETAIL - STEEL PLATE	FIBRE CEMENT SHEET (CAVITY)	24/07/13
CV-FS-06	RETROFIT APRON DETAIL - STEEL PLATE	FIBRE CEMENT SHEET (DIRECT FIX)	24/07/13
CV-FS-10	RETROFIT BARGE DETAIL -	FIBRE CEMENT SHEET (CAVITY)	19/07/12
CV-FS-11	RETROFIT BARGE DETAIL -	FIBRE CEMENT SHEET (DIRECT FIX)	19/07/12
CV-FS-12	RETROFIT BARGE DETAIL FOR ALUMINIUM RAFTER -	FIBRE CEMENT SHEET (CAVITY)	24/07/13
CV-FS-13	RETROFIT BARGE DETAIL FOR ALUMINIUM RAFTER -	FIBRE CEMENT SHEET (DIRECT FIX)	24/07/13
CV-RF-01	TYPICAL EAVES DETAIL		24/07/13
CV-RF-02	TYPICAL RIDGE DETAIL		24/07/13
CV-RF-03	TYPICAL VALLEY DETAIL		24/07/13
CV-RF-04	FLASHING END OPTIONS		25/09/12
CV-RF-10	TYPICAL EAVES DETAIL - SADDLE BRACKET		24/07/13
CV-RF-11	TYPICAL RIDGE DETAIL - SADDLE BRACKET		24/07/13
CV-RF-12	TYPICAL VALLEY DETAIL - SADDLE BRACKET		24/07/13
CV-RF-20	TYPICAL EAVES DETAIL - STEEL PLATE		24/07/13
CV-RF-21	TYPICAL RIDGE DETAIL - STEEL PLATE		24/07/13
CV-RF-22	TYPICAL VALLEY DETAIL - STEEL PLATE		24/07/13
CV-WB-01	RETROFIT APRON DETAIL -	WEATHERBOARD (CAVITY)	24/07/13
CV-WB-02	RETROFIT APRON DETAIL -	WEATHERBOARD (DIRECT FIX)	24/07/13
CV-WB-03	RETROFIT APRON DETAIL - SADDLE BRACKET -	WEATHERBOARD (CAVITY)	24/07/13
CV-WB-04	RETROFIT APRON DETAIL - SADDLE BRACKET -	WEATHERBOARD (DIRECT FIX)	24/07/13
CV-WB-05	RETROFIT APRON DETAIL - STEEL PLATE -	WEATHERBOARD (CAVITY)	24/07/13
CV-WB-06	RETROFIT APRON DETAIL - STEEL PLATE -	WEATHERBOARD (DIRECT FIX)	24/07/13
CV-WB-10	RETROFIT BARGE DETAIL -	WEATHERBOARD (CAVITY)	19/07/12
CV-WB-11	RETROFIT BARGE DETAIL -	WEATHERBOARD (DIRECT FIX)	19/07/12
CV-WB-12	RETROFIT BARGE DETAIL - WITH ALUMINIUM RAFTER	WEATHERBOARD (CAVITY)	24/07/13
CV-WB-13	RETROFIT BARGE DETAIL - WITH ALUMINIUM RAFTER	WEATHERBOARD (DIRECT FIX)	24/07/13



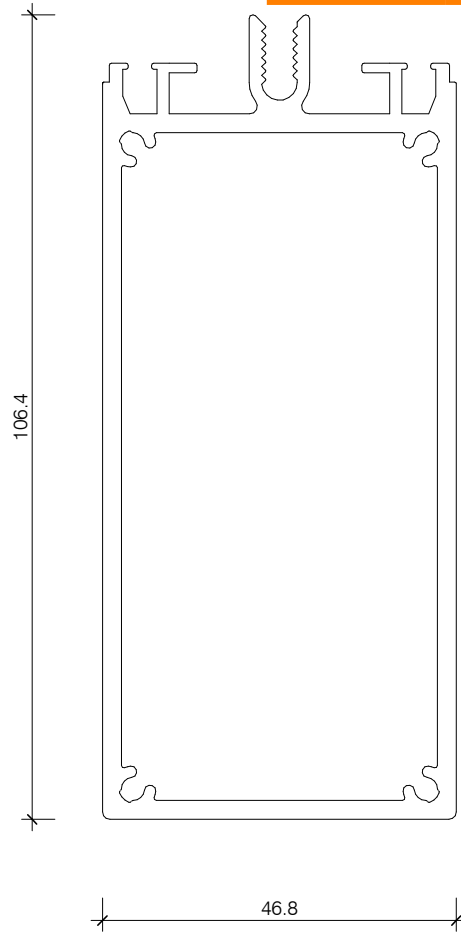
Aluminium Extrusion 1



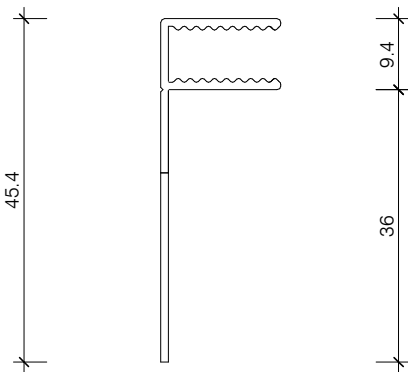
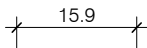
Aluminium Extrusion 2



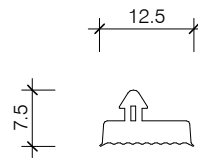
Aluminium Extrusion 3



Aluminium Rafter Extrusion



Aluminium Extrusion 4



Rubber Seal

NOTE: All dimensions are in millimeters (mm)

ClearVue

CLEARVUE EXTRUSIONS

320 Rosedale Road, Albany, Auckland, New Zealand
PO Box 101 851 NSMC, New Zealand
Note: Details may be subject to change without notification



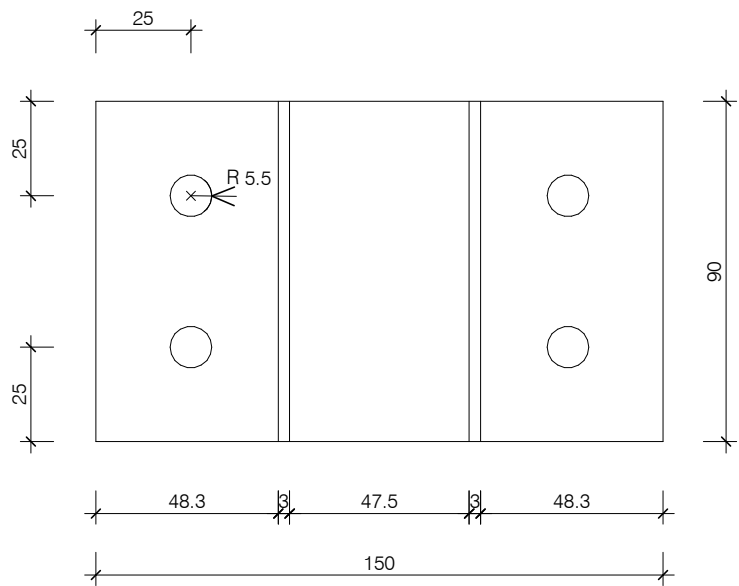
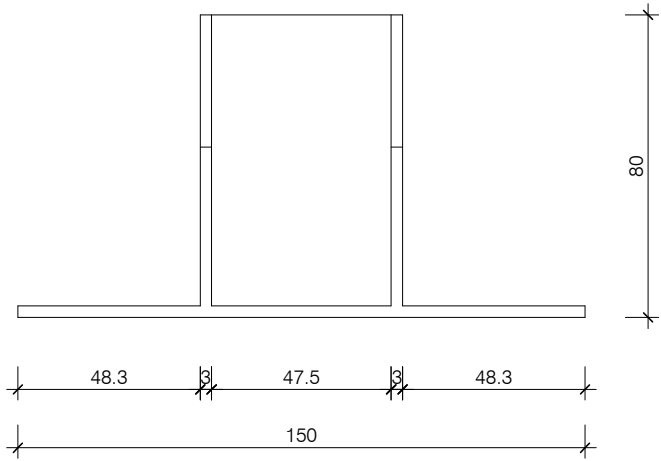
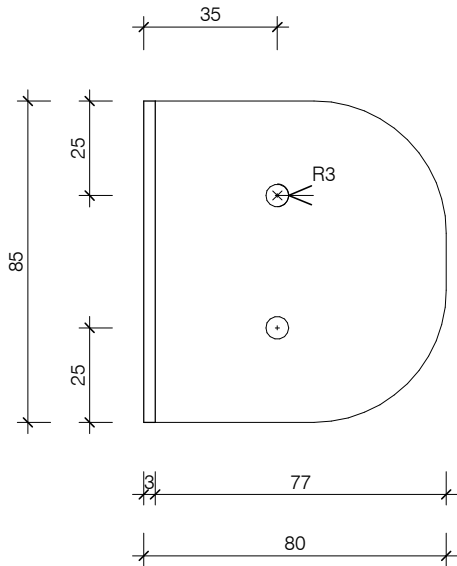
T.09 415 2800
F.09 415 2809
www.psp.co.nz

Ensure all structural supports for ClearVue installation comply with relevant clauses of the NZBC and the New Zealand Building Act.

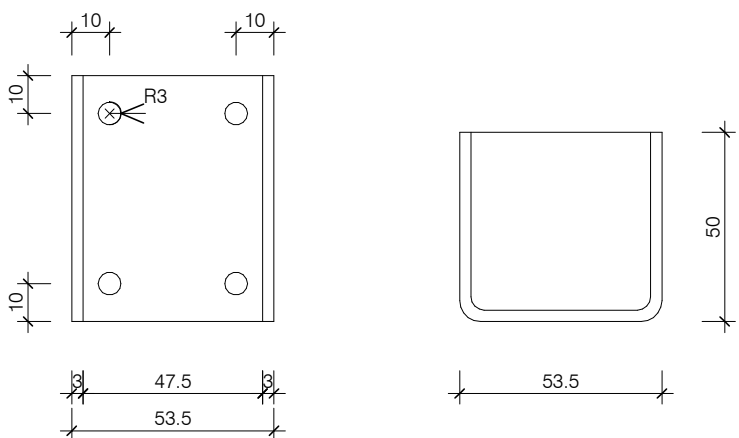
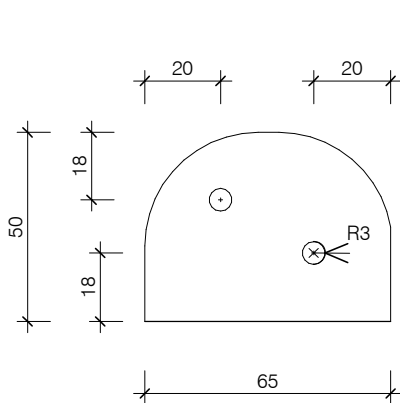
Scale: 1 : 1 @ A4

Date: 25/09/12

Dwg: **CV-02**



Steel Plate Dimensions



Sadde Bracket Dimensions

NOTE: All dimensions are in millimeters (mm)

ClearVue

CLEARVUE GALVANISED BRACKETS

320 Rosedale Road, Albany, Auckland, New Zealand
PO Box 101 851 NSMC, New Zealand
Note: Details may be subject to change without notification



T.09 415 2800
F.09 415 2809
www.psp.co.nz

Ensure all structural supports for ClearVue installation comply with relevant clauses of the NZBC and the New Zealand Building Act.

Scale: 1 : 2 @ A4

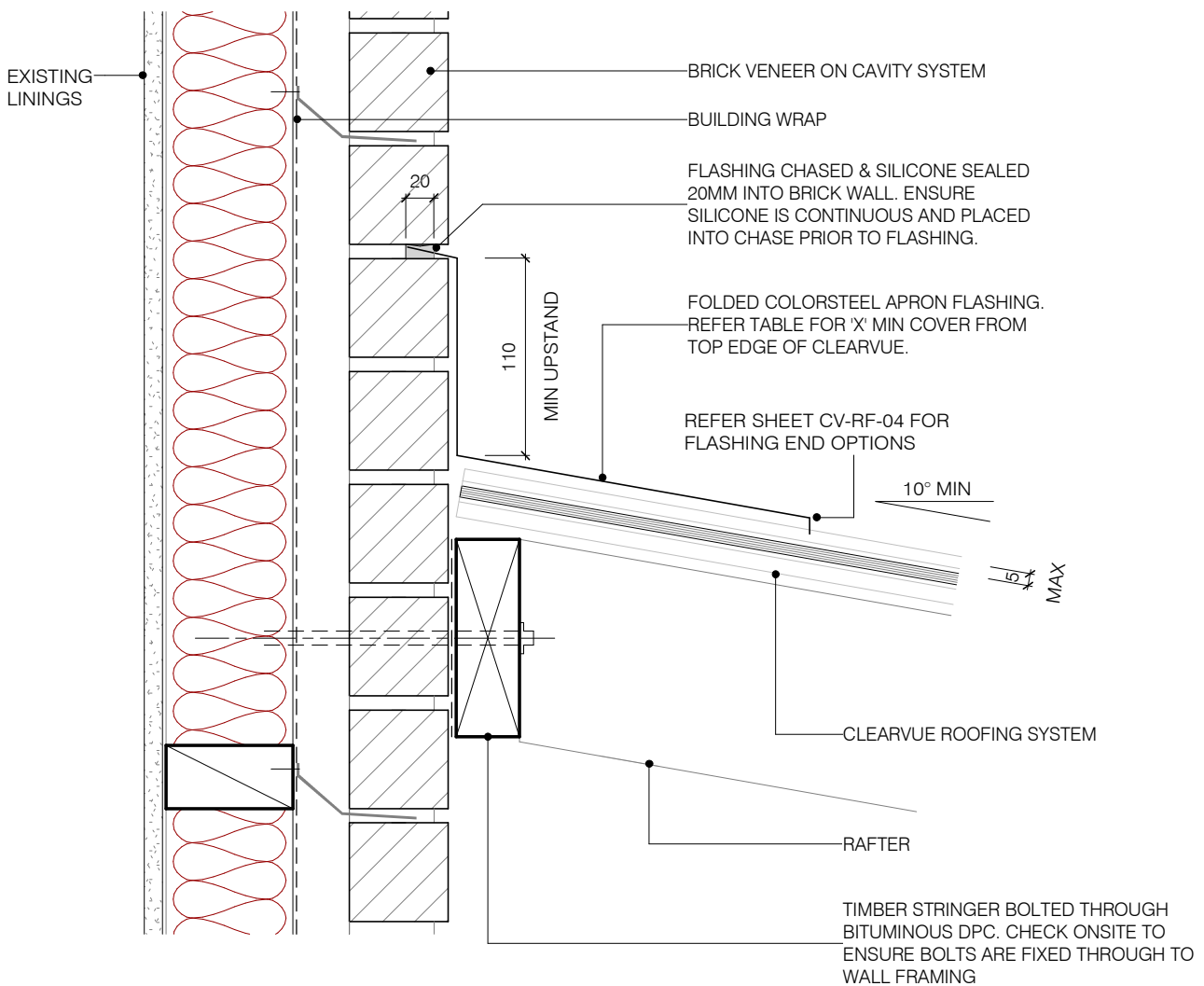
Date: 25/09/12

Dwg: **CV-03**

**FLASHING WIDTH TABLE - "X"mm
(BASED ON TABLE 7, E2/AS1, AUG. 1 2011)**



SITUATION 1:	LOW, MEDIUM OR HIGH WIND ZONES, WHERE ROOF PITCH IS GREATER THAN OR EQUAL TO 10°.		
SITUATION 2:	ALL ROOF PITCHES IN VERY HIGH WIND ZONES. VERY HIGH WIND ZONE WHERE ROOF PITCH IS LESSER THAN OR EQUAL TO 10°.		
SITUATION 3:	ALL ROOF PITCHES IN EXTRA HIGH WIND ZONES.		
	SITUATION 1 (MINIMUM)	SITUATION 2 (MINIMUM)	SITUATION 3 (MINIMUM)
TRANSVERSE FLASHING	130	200	200



NOTE: All dimensions are in millimeters (mm)

**ClearVue
RETROFIT APRON DETAIL -
BRICK VENEER**

320 Rosedale Road, Albany, Auckland, New Zealand
PO Box 101 851 NSMC, New Zealand
Note: Details may be subject to change without notification



T.09 415 2800
F.09 415 2809
www.psp.co.nz

Ensure all structural supports for ClearVue installation comply with relevant clauses of the NZBC and the New Zealand Building Act.

Scale: 1 : 5 @ A4

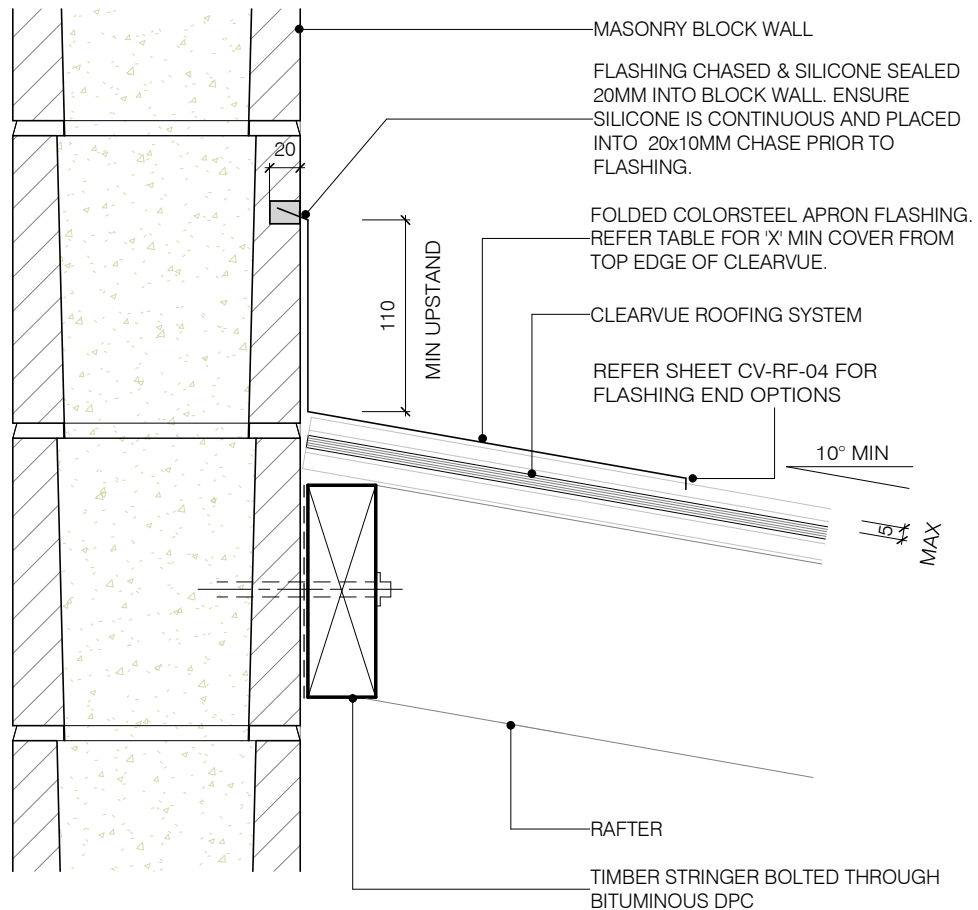
Date: 24/07/13

Dwg: CV-BK-01

**FLASHING WIDTH TABLE - "X"mm
(BASED ON TABLE 7, E2/AS1, AUG. 1 2011)**



SITUATION 1:	LOW, MEDIUM OR HIGH WIND ZONES, WHERE ROOF PITCH IS GREATER THAN OR EQUAL TO 10°.		
SITUATION 2:	ALL ROOF PITCHES IN VERY HIGH WIND ZONES. VERY HIGH WIND ZONE WHERE ROOF PITCH IS LESSER THAN OR EQUAL TO 10°.		
SITUATION 3:	ALL ROOF PITCHES IN EXTRA HIGH WIND ZONES.		
	SITUATION 1 (MINIMUM)	SITUATION 2 (MINIMUM)	SITUATION 3 (MINIMUM)
TRANSVERSE FLASHING	130	200	200



NOTE: All dimensions are in millimeters (mm)

**ClearVue
RETROFIT APRON DETAIL -
MASONRY BLOCK**

320 Rosedale Road, Albany, Auckland, New Zealand
PO Box 101 851 NSMC, New Zealand
Note: Details may be subject to change without notification



T.09 415 2800
F.09 415 2809
www.psp.co.nz

Ensure all structural supports for ClearVue installation comply with relevant clauses of the NZBC and the New Zealand Building Act.

Scale: 1 : 5 @ A4

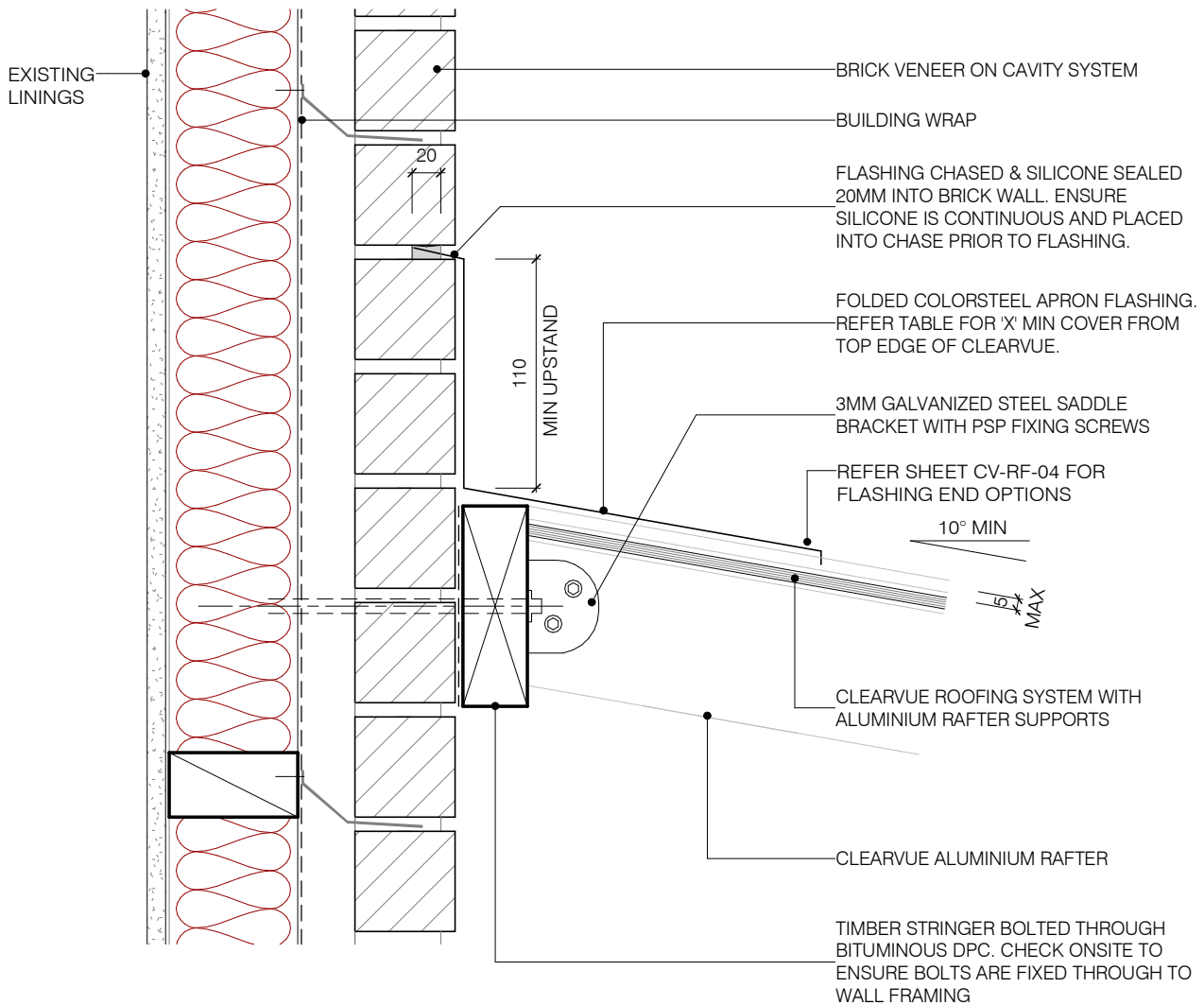
Date: 24/07/13

Dwg: **CV-BK-02**

**FLASHING WIDTH TABLE - "X"mm
(BASED ON TABLE 7, E2/AS1, AUG. 1 2011)**



SITUATION 1:	LOW, MEDIUM OR HIGH WIND ZONES, WHERE ROOF PITCH IS GREATER THAN OR EQUAL TO 10°.		
SITUATION 2:	ALL ROOF PITCHES IN VERY HIGH WIND ZONES. VERY HIGH WIND ZONE WHERE ROOF PITCH IS LESSER THAN OR EQUAL TO 10°.		
SITUATION 3:	ALL ROOF PITCHES IN EXTRA HIGH WIND ZONES.		
	SITUATION 1 (MINIMUM)	SITUATION 2 (MINIMUM)	SITUATION 3 (MINIMUM)
TRANSVERSE FLASHING	130	200	200



NOTE: All dimensions are in millimeters (mm)

**ClearVue
RETROFIT APRON DETAIL - SADDLE BRACKET-
BRICK VENEER**

320 Rosedale Road, Albany, Auckland, New Zealand
PO Box 101 851 NSMC, New Zealand
Note: Details may be subject to change without notification



T.09 415 2800
F.09 415 2809
www.psp.co.nz

Ensure all structural supports for ClearVue installation comply with relevant clauses of the NZBC and the New Zealand Building Act.

Scale: 1 : 5 @ A4

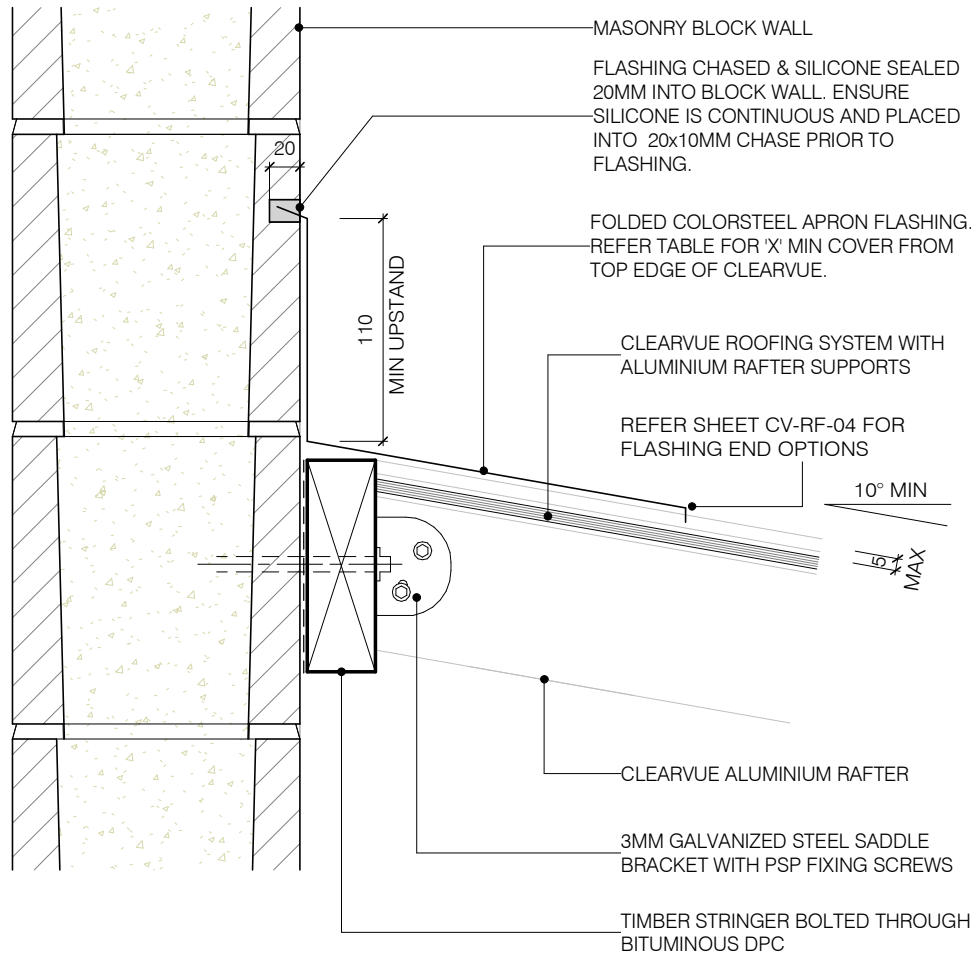
Date: 24/07/13

Dwg: CV-BK-03

**FLASHING WIDTH TABLE - "X"mm
(BASED ON TABLE 7, E2/AS1, AUG. 1 2011)**



SITUATION 1:	LOW, MEDIUM OR HIGH WIND ZONES, WHERE ROOF PITCH IS GREATER THAN OR EQUAL TO 10°.		
SITUATION 2:	ALL ROOF PITCHES IN VERY HIGH WIND ZONES. VERY HIGH WIND ZONE WHERE ROOF PITCH IS LESSER THAN OR EQUAL TO 10°.		
SITUATION 3:	ALL ROOF PITCHES IN EXTRA HIGH WIND ZONES.		
	SITUATION 1 (MINIMUM)	SITUATION 2 (MINIMUM)	SITUATION 3 (MINIMUM)
TRANSVERSE FLASHING	130	200	200



NOTE: All dimensions are in millimeters (mm)

**ClearVue
RETROFIT APRON DETAIL - SADDLE BRACKET -
MASONRY BLOCK**

320 Rosedale Road, Albany, Auckland, New Zealand
PO Box 101 851 NSMC, New Zealand
Note: Details may be subject to change without notification



T.09 415 2800
F.09 415 2809
www.psp.co.nz

Ensure all structural supports for ClearVue installation comply with relevant clauses of the NZBC and the New Zealand Building Act.

Scale: 1 : 5 @ A4

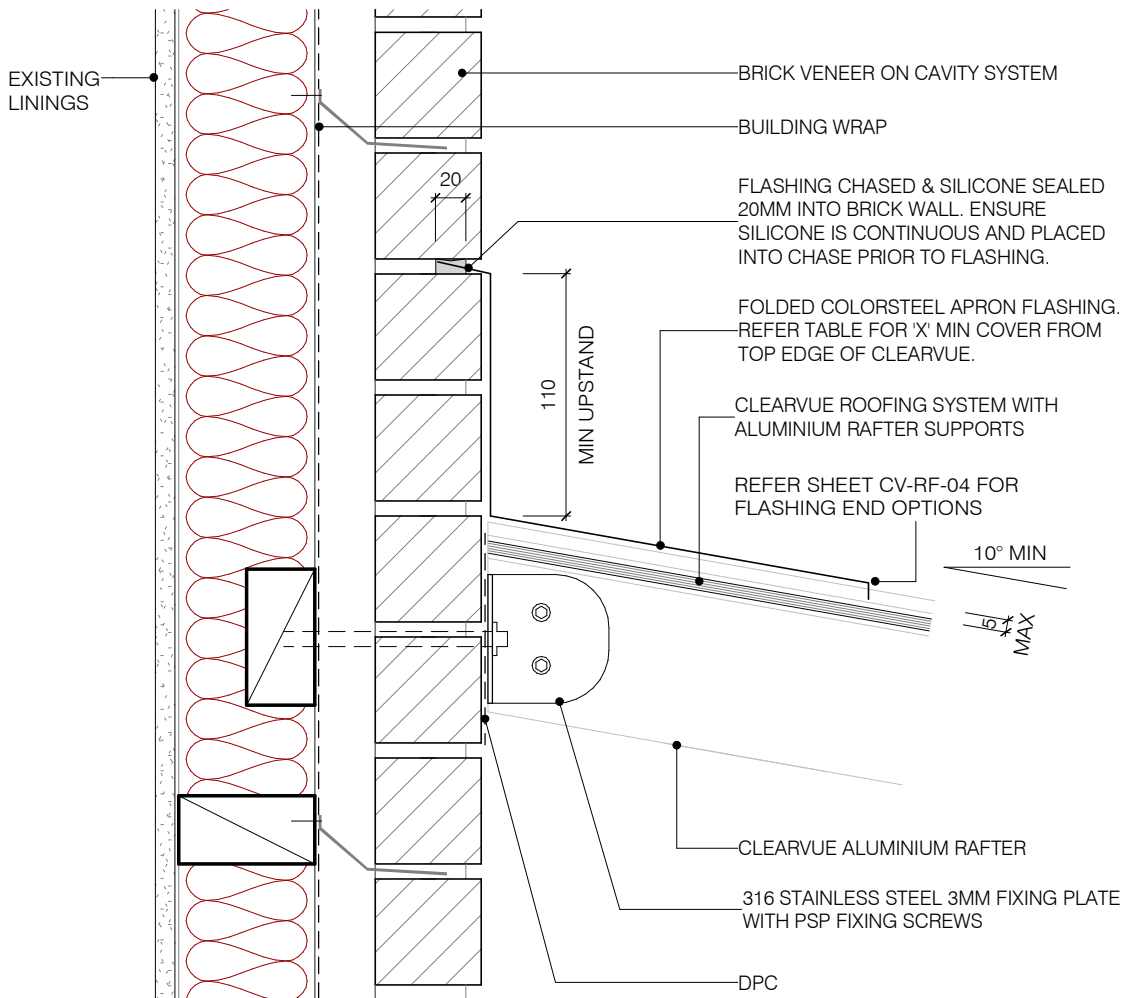
Date: 24/09/13

Dwg: **CV-BK-04**

**FLASHING WIDTH TABLE - "X"mm
(BASED ON TABLE 7, E2/AS1, AUG. 1 2011)**



SITUATION 1:	LOW, MEDIUM OR HIGH WIND ZONES, WHERE ROOF PITCH IS GREATER THAN OR EQUAL TO 10°.		
SITUATION 2:	ALL ROOF PITCHES IN VERY HIGH WIND ZONES. VERY HIGH WIND ZONE WHERE ROOF PITCH IS LESSER THAN OR EQUAL TO 10°.		
SITUATION 3:	ALL ROOF PITCHES IN EXTRA HIGH WIND ZONES.		
	SITUATION 1 (MINIMUM)	SITUATION 2 (MINIMUM)	SITUATION 3 (MINIMUM)
TRANSVERSE FLASHING	130	200	200



NOTE: All dimensions are in millimeters (mm)

**ClearVue
RETROFIT APRON DETAIL - STEEL PLATE -
BRICK VENEER**

320 Rosedale Road, Albany, Auckland, New Zealand
PO Box 101 851 NSMC, New Zealand
Note: Details may be subject to change without notification



T.09 415 2800
F.09 415 2809
www.psp.co.nz

Ensure all structural supports for ClearVue installation comply with relevant clauses of the NZBC and the New Zealand Building Act.

Scale: 1 : 5 @ A4

Date: 24/07/13

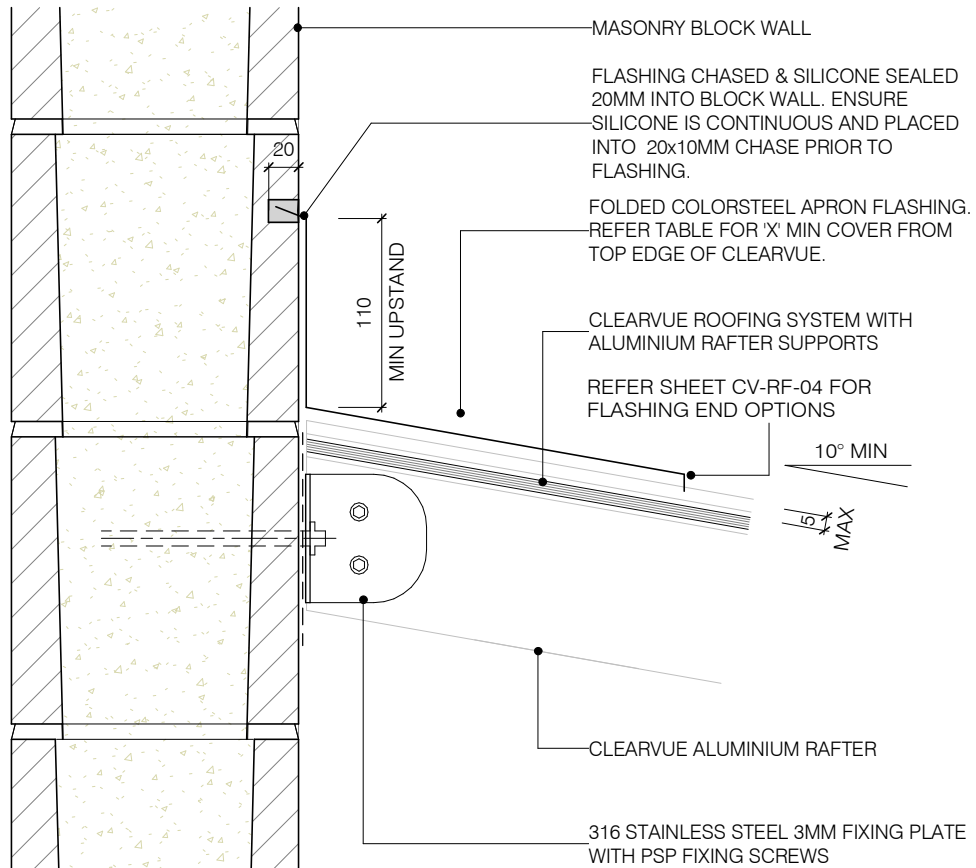
Dwg: **CV-BK-05**

**FLASHING WIDTH TABLE - "X"mm
(BASED ON TABLE 7, E2/AS1, AUG. 1 2011)**



- SITUATION 1:** LOW, MEDIUM OR HIGH WIND ZONES, WHERE ROOF PITCH IS GREATER THAN OR EQUAL TO 10°.
- SITUATION 2:** ALL ROOF PITCHES IN VERY HIGH WIND ZONES. VERY HIGH WIND ZONE WHERE ROOF PITCH IS LESSER THAN OR EQUAL TO 10°.
- SITUATION 3:** ALL ROOF PITCHES IN EXTRA HIGH WIND ZONES.

	SITUATION 1 (MINIMUM)	SITUATION 2 (MINIMUM)	SITUATION 3 (MINIMUM)
TRANSVERSE FLASHING	130	200	200



NOTE: All dimensions are in millimeters (mm)

**ClearVue
RETROFIT APRON DETAIL - STEEL PLATE -
MASONRY BLOCK**

320 Rosedale Road, Albany, Auckland, New Zealand
PO Box 101 851 NSMC, New Zealand
Note: Details may be subject to change without notification



T.09 415 2800
F.09 415 2809
www.psp.co.nz

Ensure all structural supports for ClearVue installation comply with relevant clauses of the NZBC and the New Zealand Building Act.

Scale: 1 : 5 @ A4

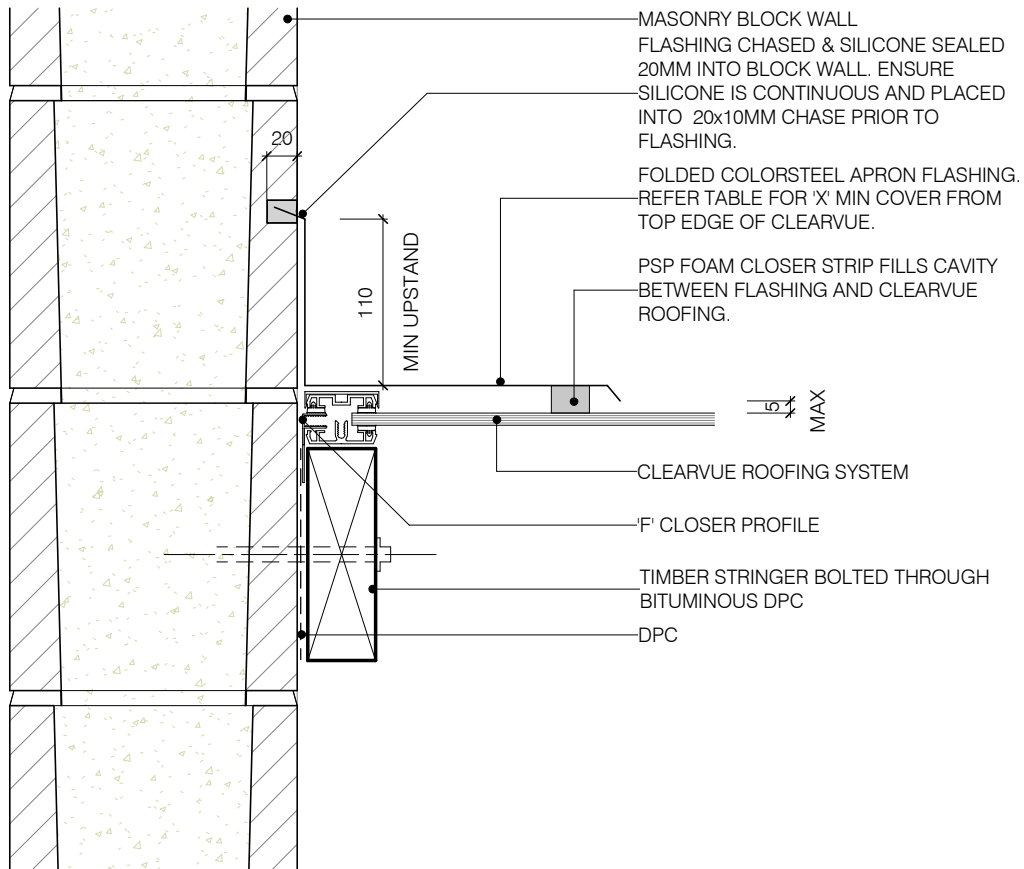
Date: 24/09/13

Dwg: CV-BK-06

**FLASHING WIDTH TABLE - "X"mm
(BASED ON TABLE 7, E2/AS1, AUG. 1 2011)**



SITUATION 1:	LOW, MEDIUM OR HIGH WIND ZONES, WHERE ROOF PITCH IS GREATER THAN OR EQUAL TO 10°.		
SITUATION 2:	ALL ROOF PITCHES IN VERY HIGH WIND ZONES. VERY HIGH WIND ZONE WHERE ROOF PITCH IS LESSER THAN OR EQUAL TO 10°.		
SITUATION 3:	ALL ROOF PITCHES IN EXTRA HIGH WIND ZONES.		
	SITUATION 1 (MINIMUM)	SITUATION 2 (MINIMUM)	SITUATION 3 (MINIMUM)
TRANSVERSE FLASHING	130	200	200



NOTE: All dimensions are in millimeters (mm)

**ClearVue
RETROFIT BARGE DETAIL -
MASONRY BLOCK**

320 Rosedale Road, Albany, Auckland, New Zealand
PO Box 101 851 NSMC, New Zealand
Note: Details may be subject to change without notification



T.09 415 2800
F.09 415 2809
www.psp.co.nz

Ensure all structural supports for ClearVue installation comply with relevant clauses of the NZBC and the New Zealand Building Act.

Scale: 1 : 5 @ A4

Date: 24/07/13

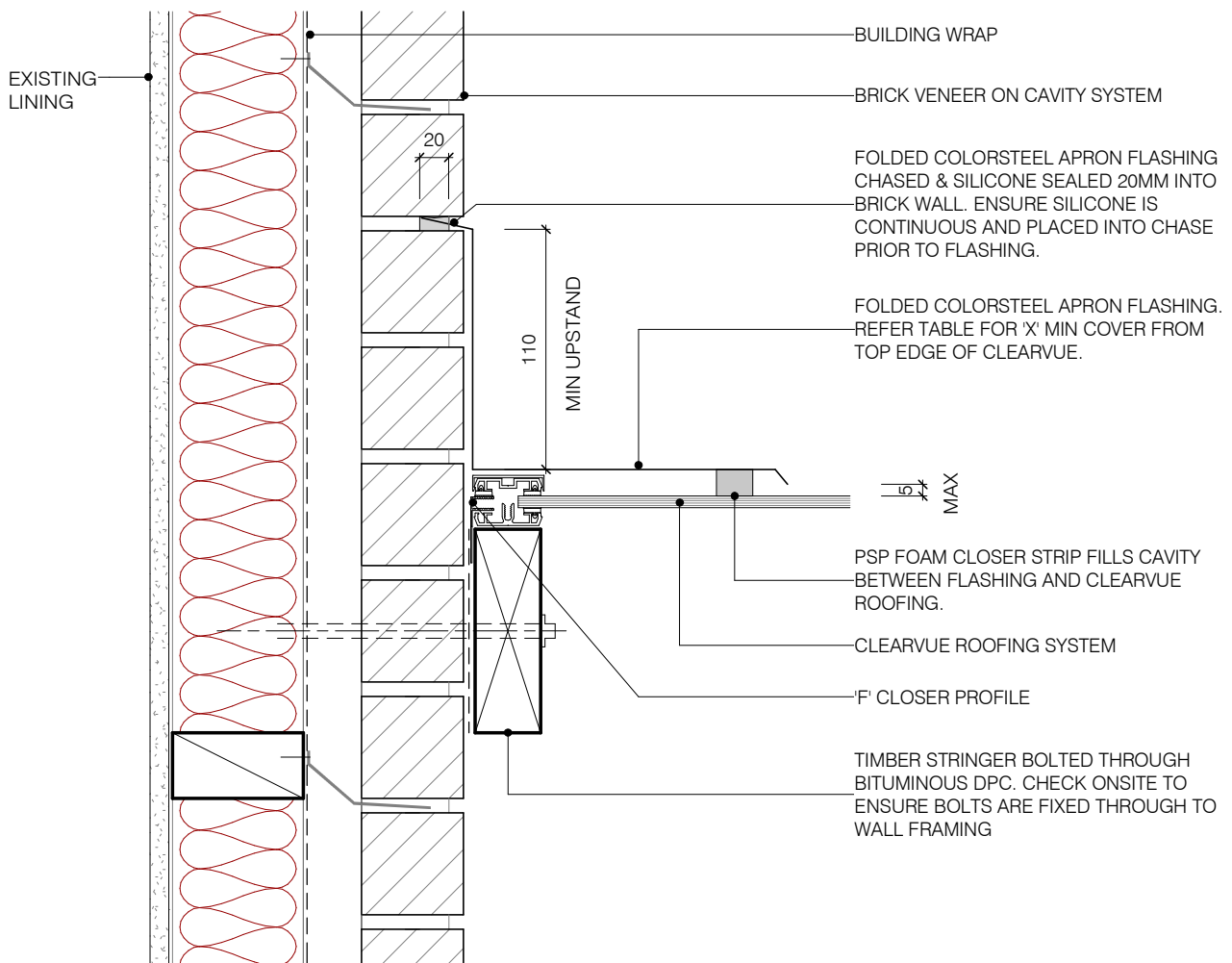
Dwg: CV-BK-10

**FLASHING WIDTH TABLE - "X"mm
(BASED ON TABLE 7, E2/AS1, AUG. 1 2011)**



- SITUATION 1:** LOW, MEDIUM OR HIGH WIND ZONES, WHERE ROOF PITCH IS GREATER THAN OR EQUAL TO 10°.
- SITUATION 2:** ALL ROOF PITCHES IN VERY HIGH WIND ZONES. VERY HIGH WIND ZONE WHERE ROOF PITCH IS LESSER THAN OR EQUAL TO 10°.
- SITUATION 3:** ALL ROOF PITCHES IN EXTRA HIGH WIND ZONES.

	SITUATION 1 (MINIMUM)	SITUATION 2 (MINIMUM)	SITUATION 3 (MINIMUM)
TRANSVERSE FLASHING	130	200	200



NOTE: All dimensions are in millimeters (mm)

**ClearVue
RETROFIT BARGE DETAIL -
BRICK VENEER**

320 Rosedale Road, Albany, Auckland, New Zealand
PO Box 101 851 NSMC, New Zealand
Note: Details may be subject to change without notification



T.09 415 2800
F.09 415 2809
www.psp.co.nz

Ensure all structural supports for ClearVue installation comply with relevant clauses of the NZBC and the New Zealand Building Act.

Scale: 1 : 5 @ A4

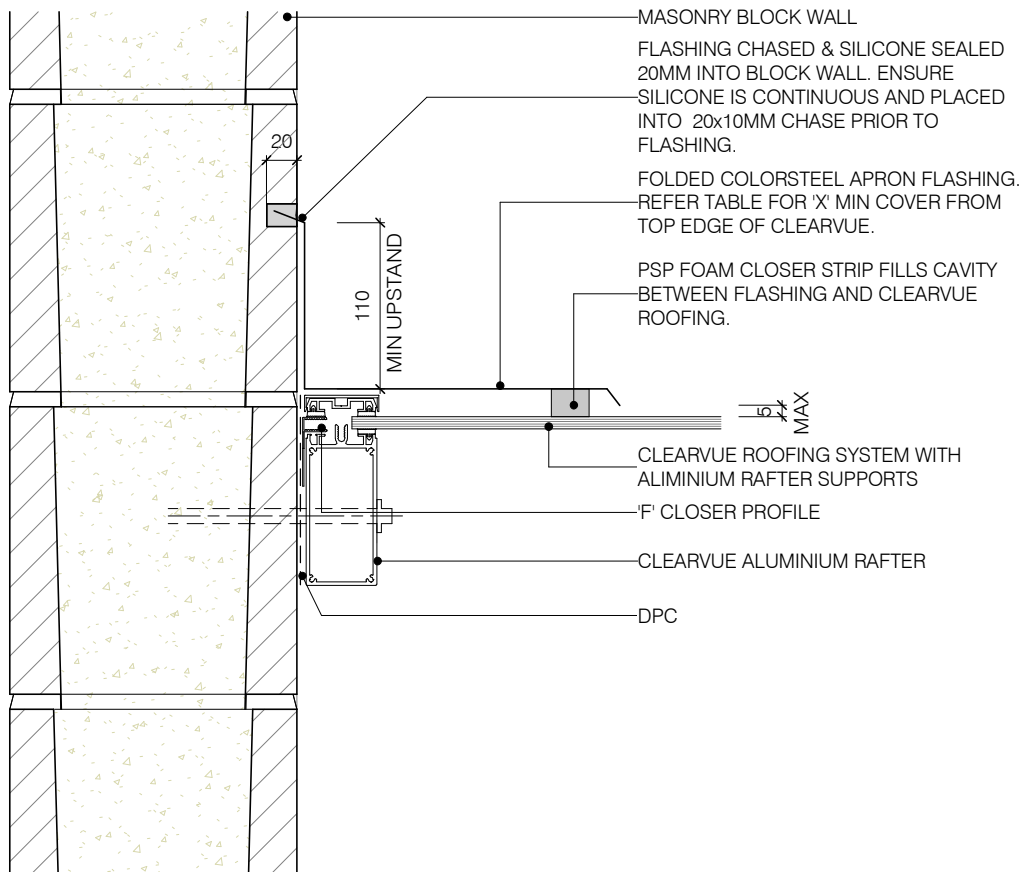
Date: 24/07/13

Dwg: CV-BK-11

**FLASHING WIDTH TABLE - "X"mm
(BASED ON TABLE 7, E2/AS1, AUG. 1 2011)**



SITUATION 1:	LOW, MEDIUM OR HIGH WIND ZONES, WHERE ROOF PITCH IS GREATER THAN OR EQUAL TO 10°.		
SITUATION 2:	ALL ROOF PITCHES IN VERY HIGH WIND ZONES. VERY HIGH WIND ZONE WHERE ROOF PITCH IS LESSER THAN OR EQUAL TO 10°.		
SITUATION 3:	ALL ROOF PITCHES IN EXTRA HIGH WIND ZONES.		
	SITUATION 1 (MINIMUM)	SITUATION 2 (MINIMUM)	SITUATION 3 (MINIMUM)
TRANSVERSE FLASHING	130	200	200



NOTE: All dimensions are in millimeters (mm)

**ClearVue
RETROFIT BARGE DETAIL FOR ALUMINIUM
RAFTER - MASONRY BLOCK**

320 Rosedale Road, Albany, Auckland, New Zealand
PO Box 101 851 NSMC, New Zealand
Note: Details may be subject to change without notification



T.09 415 2800
F.09 415 2809
www.psp.co.nz

Ensure all structural supports for ClearVue installation comply with relevant clauses of the NZBC and the New Zealand Building Act.

Scale: 1 : 5 @ A4

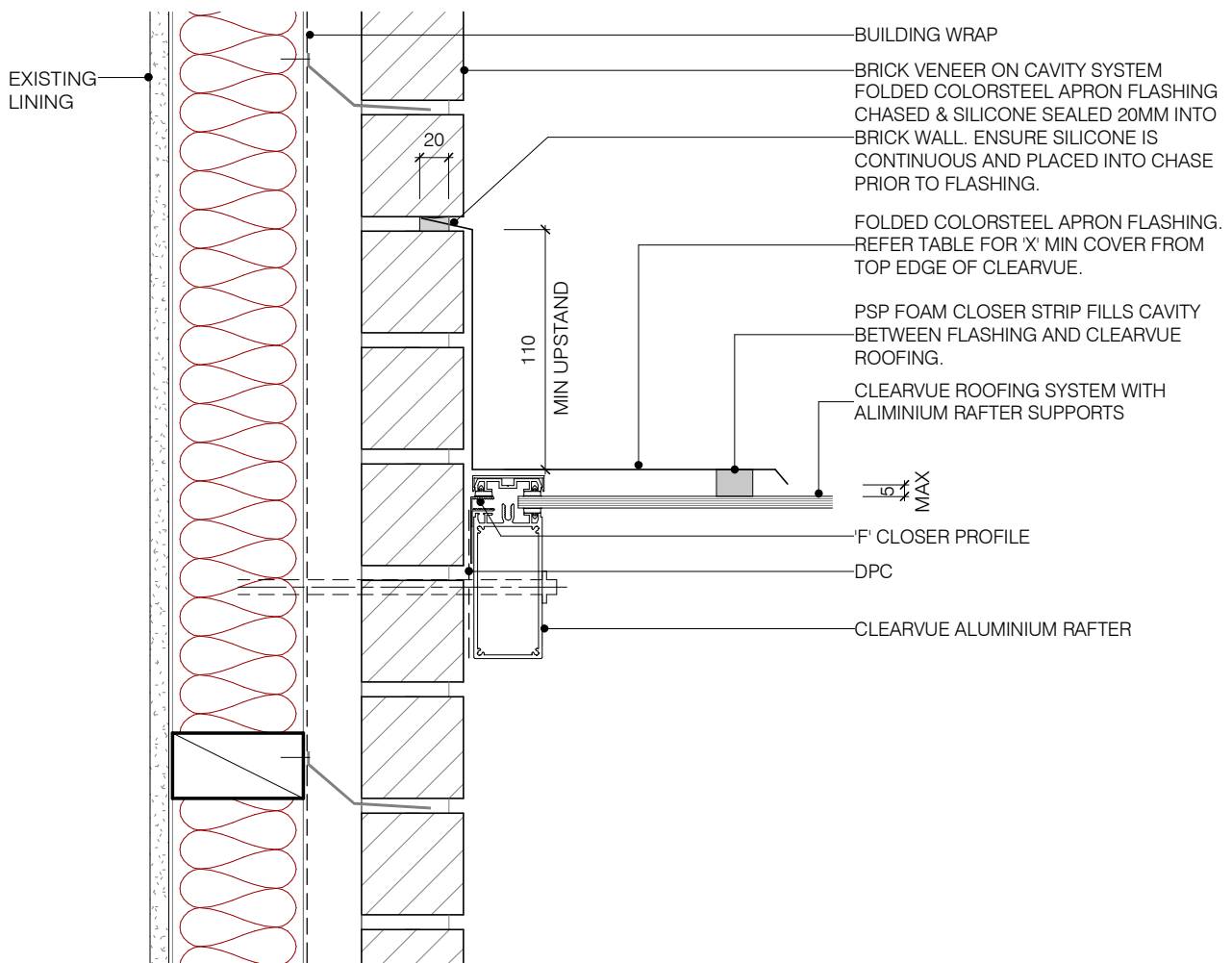
Date: 24/07/13

Dwg: CV-BK-12

**FLASHING WIDTH TABLE - "X"mm
(BASED ON TABLE 7, E2/AS1, AUG. 1 2011)**



SITUATION 1:	LOW, MEDIUM OR HIGH WIND ZONES, WHERE ROOF PITCH IS GREATER THAN OR EQUAL TO 10°.		
SITUATION 2:	ALL ROOF PITCHES IN VERY HIGH WIND ZONES. VERY HIGH WIND ZONE WHERE ROOF PITCH IS LESSER THAN OR EQUAL TO 10°.		
SITUATION 3:	ALL ROOF PITCHES IN EXTRA HIGH WIND ZONES.		
	SITUATION 1 (MINIMUM)	SITUATION 2 (MINIMUM)	SITUATION 3 (MINIMUM)
TRANSVERSE FLASHING	130	200	200



NOTE: All dimensions are in millimeters (mm)

**ClearVue
RETROFIT BARGE DETAIL FOR ALUMINIUM
RAFTER - BRICK VENEER**

320 Rosedale Road, Albany, Auckland, New Zealand
PO Box 101 851 NSMC, New Zealand
Note: Details may be subject to change without notification



T.09 415 2800
F.09 415 2809
www.psp.co.nz

Ensure all structural supports for ClearVue installation comply with relevant clauses of the NZBC and the New Zealand Building Act.

Scale: 1 : 5 @ A4

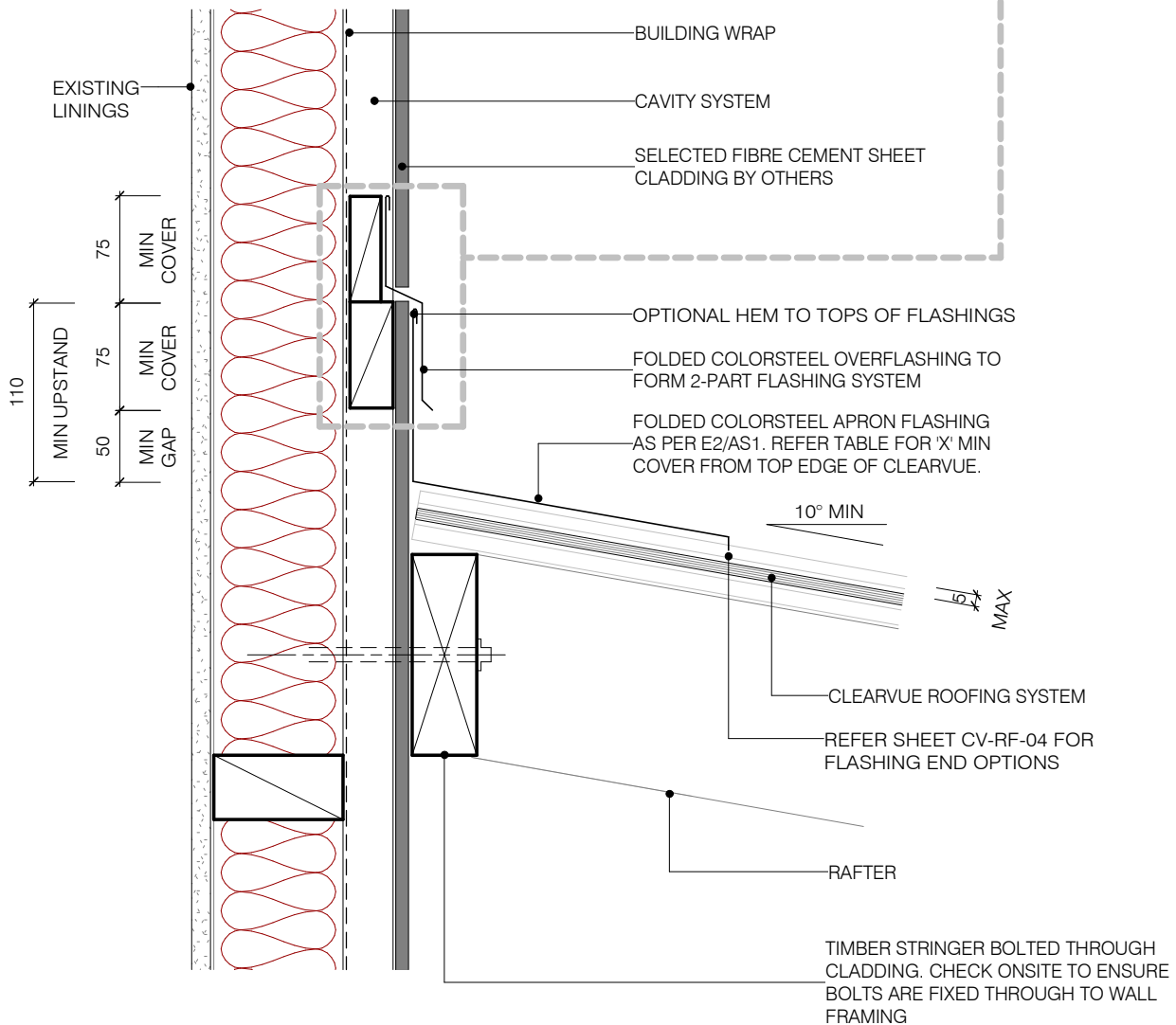
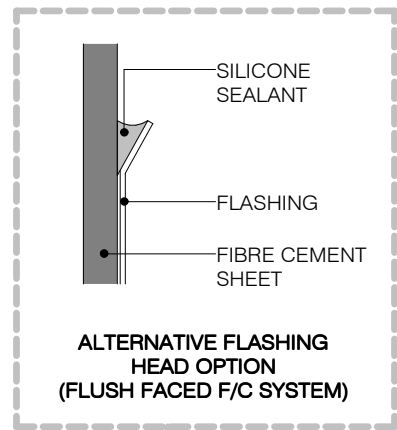
Date: 24/07/13

Dwg: **CV-BK-13**

**FLASHING WIDTH TABLE - "X"mm
(BASED ON TABLE 7, E2/AS1, AUG. 1 2011)**



SITUATION 1:	LOW, MEDIUM OR HIGH WIND ZONES, WHERE ROOF PITCH IS GREATER THAN OR EQUAL TO 10°.		
SITUATION 2:	ALL ROOF PITCHES IN VERY HIGH WIND ZONES. VERY HIGH WIND ZONE WHERE ROOF PITCH IS LESSER THAN OR EQUAL TO 10°.		
SITUATION 3:	ALL ROOF PITCHES IN EXTRA HIGH WIND ZONES.		
	SITUATION 1 (MINIMUM)	SITUATION 2 (MINIMUM)	SITUATION 3 (MINIMUM)
TRANSVERSE FLASHING	130	200	200



NOTE: All dimensions are in millimeters (mm)

**ClearVue
RETROFIT APRON DETAIL -
FIBRE CEMENT SHEET (CAVITY)**

320 Rosedale Road, Albany, Auckland, New Zealand
PO Box 101 851 NSMC, New Zealand
Note: Details may be subject to change without notification



T.09 415 2800
F.09 415 2809
www.psp.co.nz

Ensure all structural supports for ClearVue installation comply with relevant clauses of the NZBC and the New Zealand Building Act.

Scale: 1 : 5 @ A4

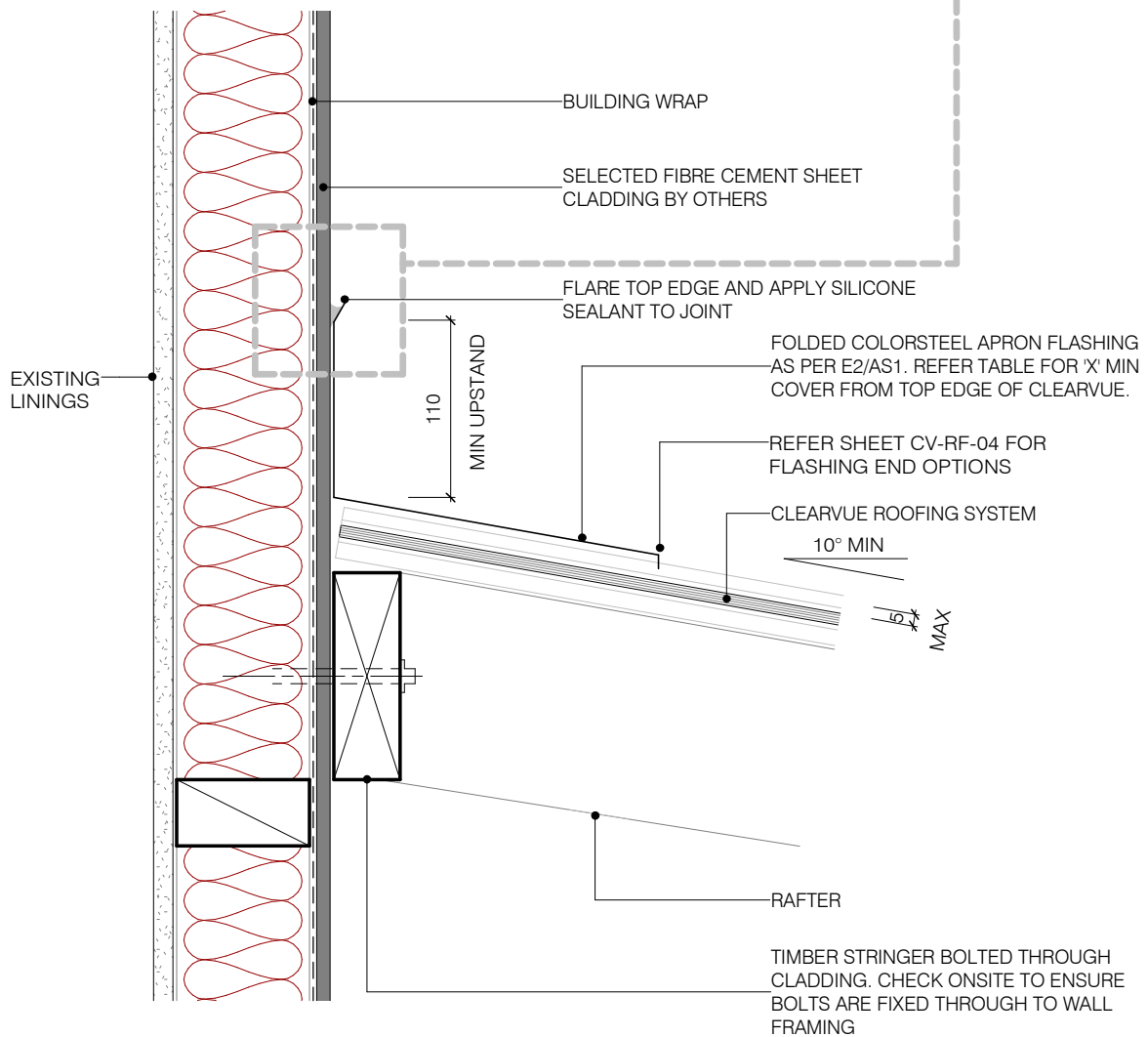
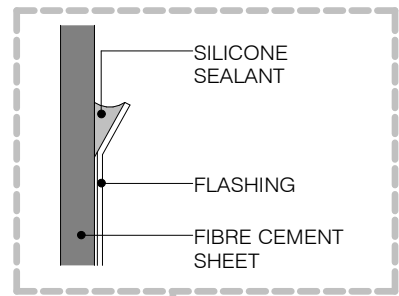
Date: 24/07/13

Dwg: CV-FS-01

**FLASHING WIDTH TABLE - "X"mm
(BASED ON TABLE 7, E2/AS1, AUG. 1 2011)**



SITUATION 1:	LOW, MEDIUM OR HIGH WIND ZONES, WHERE ROOF PITCH IS GREATER THAN OR EQUAL TO 10°.		
SITUATION 2:	ALL ROOF PITCHES IN VERY HIGH WIND ZONES. VERY HIGH WIND ZONE WHERE ROOF PITCH IS LESSER THAN OR EQUAL TO 10°.		
SITUATION 3:	ALL ROOF PITCHES IN EXTRA HIGH WIND ZONES.		
	SITUATION 1 (MINIMUM)	SITUATION 2 (MINIMUM)	SITUATION 3 (MINIMUM)
TRANSVERSE FLASHING	130	200	200



NOTE: All dimensions are in millimeters (mm)

**ClearVue
RETROFIT APRON DETAIL -
FIBRE CEMENT SHEET (DIRECT FIX)**

320 Rosedale Road, Albany, Auckland, New Zealand
PO Box 101 851 NSMC, New Zealand
Note: Details may be subject to change without notification



T.09 415 2800
F.09 415 2809
www.psp.co.nz

Ensure all structural supports for ClearVue installation comply with relevant clauses of the NZBC and the New Zealand Building Act.

Scale: 1 : 5 @ A4

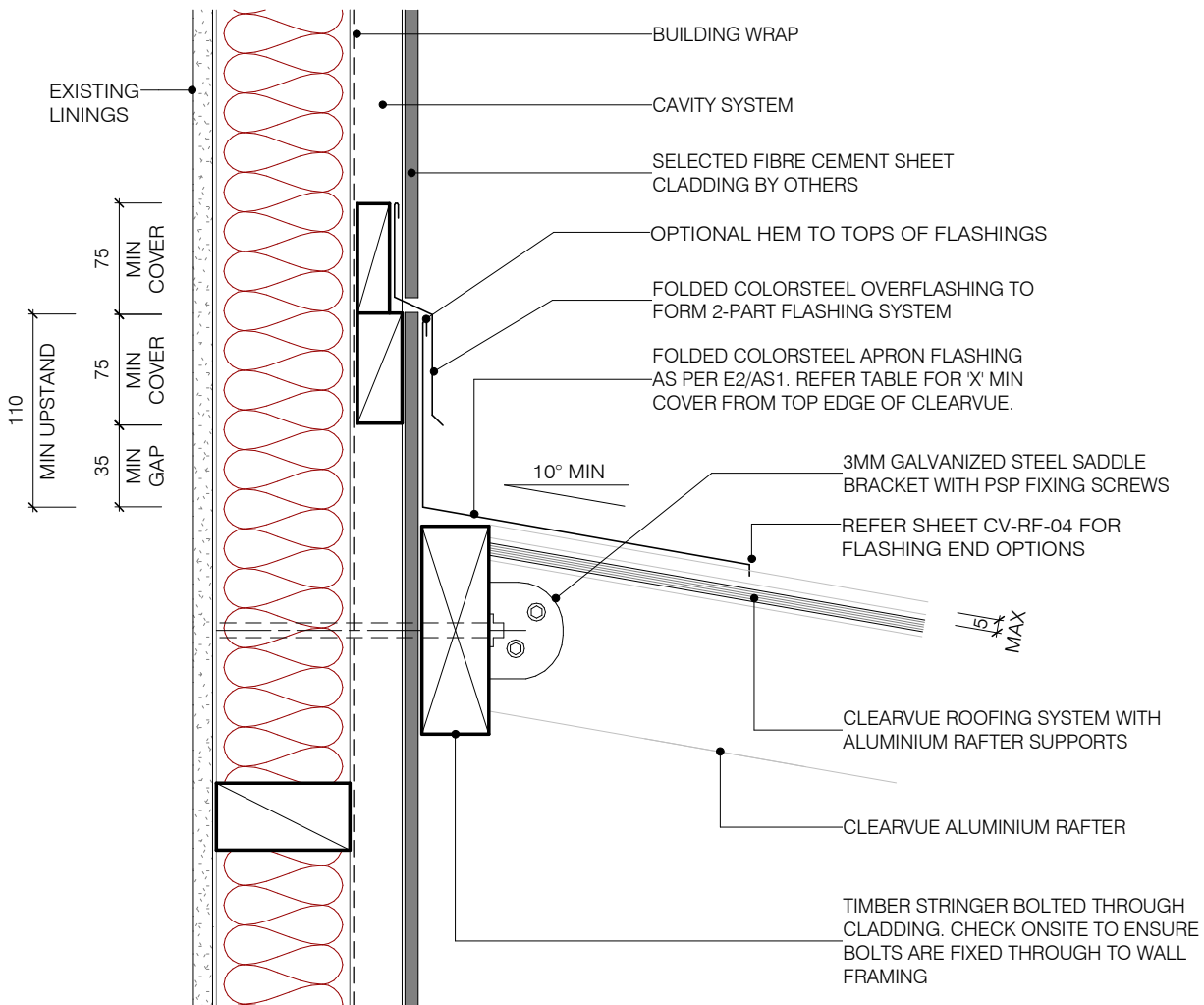
Date: 24/07/13

Dwg: CV-FS-02

**FLASHING WIDTH TABLE - "X"mm
(BASED ON TABLE 7, E2/AS1, AUG. 1 2011)**



SITUATION 1:	LOW, MEDIUM OR HIGH WIND ZONES, WHERE ROOF PITCH IS GREATER THAN OR EQUAL TO 10°.		
SITUATION 2:	ALL ROOF PITCHES IN VERY HIGH WIND ZONES. VERY HIGH WIND ZONE WHERE ROOF PITCH IS LESSER THAN OR EQUAL TO 10°.		
SITUATION 3:	ALL ROOF PITCHES IN EXTRA HIGH WIND ZONES.		
	SITUATION 1 (MINIMUM)	SITUATION 2 (MINIMUM)	SITUATION 3 (MINIMUM)
TRANSVERSE FLASHING	130	200	200



NOTE: All dimensions are in millimeters (mm)

**ClearVue
RETROFIT APRON DETAIL - SADDLE BRACKET
FIBRE CEMENT SHEET (CAVITY)**



320 Rosedale Road, Albany, Auckland, New Zealand
PO Box 101 851 NSMC, New Zealand
Note: Details may be subject to change without notification

T.09 415 2800
F.09 415 2809
www.psp.co.nz

Ensure all structural supports for ClearVue installation comply with relevant clauses of the NZBC and the New Zealand Building Act.

Scale: 1 : 5 @ A4

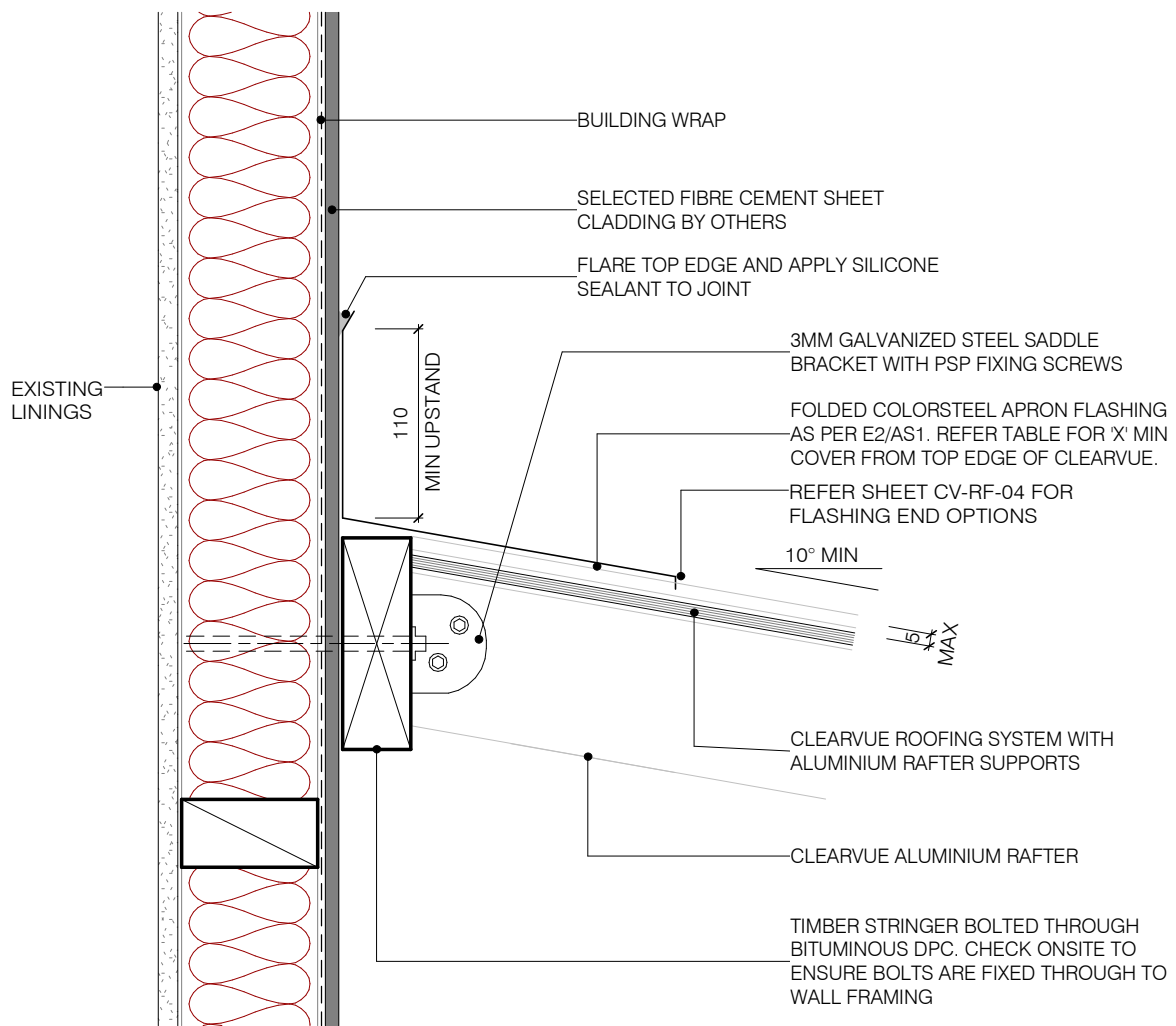
Date: 24/07/13

Dwg: CV-FS-03

**FLASHING WIDTH TABLE - "X"mm
(BASED ON TABLE 7, E2/AS1, AUG. 1 2011)**



SITUATION 1:	LOW, MEDIUM OR HIGH WIND ZONES, WHERE ROOF PITCH IS GREATER THAN OR EQUAL TO 10°.		
SITUATION 2:	ALL ROOF PITCHES IN VERY HIGH WIND ZONES. VERY HIGH WIND ZONE WHERE ROOF PITCH IS LESSER THAN OR EQUAL TO 10°.		
SITUATION 3:	ALL ROOF PITCHES IN EXTRA HIGH WIND ZONES.		
	SITUATION 1 (MINIMUM)	SITUATION 2 (MINIMUM)	SITUATION 3 (MINIMUM)
TRANSVERSE FLASHING	130	200	200



NOTE: All dimensions are in millimeters (mm)

**ClearVue
RETROFIT APRON DETAIL - SADDLE BRACKET
FIBRE CEMENT SHEET (DIRECT FIX)**

320 Rosedale Road, Albany, Auckland, New Zealand
PO Box 101 851 NSMC, New Zealand
Note: Details may be subject to change without notification



T.09 415 2800
F.09 415 2809
www.psp.co.nz

Ensure all structural supports for ClearVue installation comply with relevant clauses of the NZBC and the New Zealand Building Act.

Scale: 1 : 5 @ A4

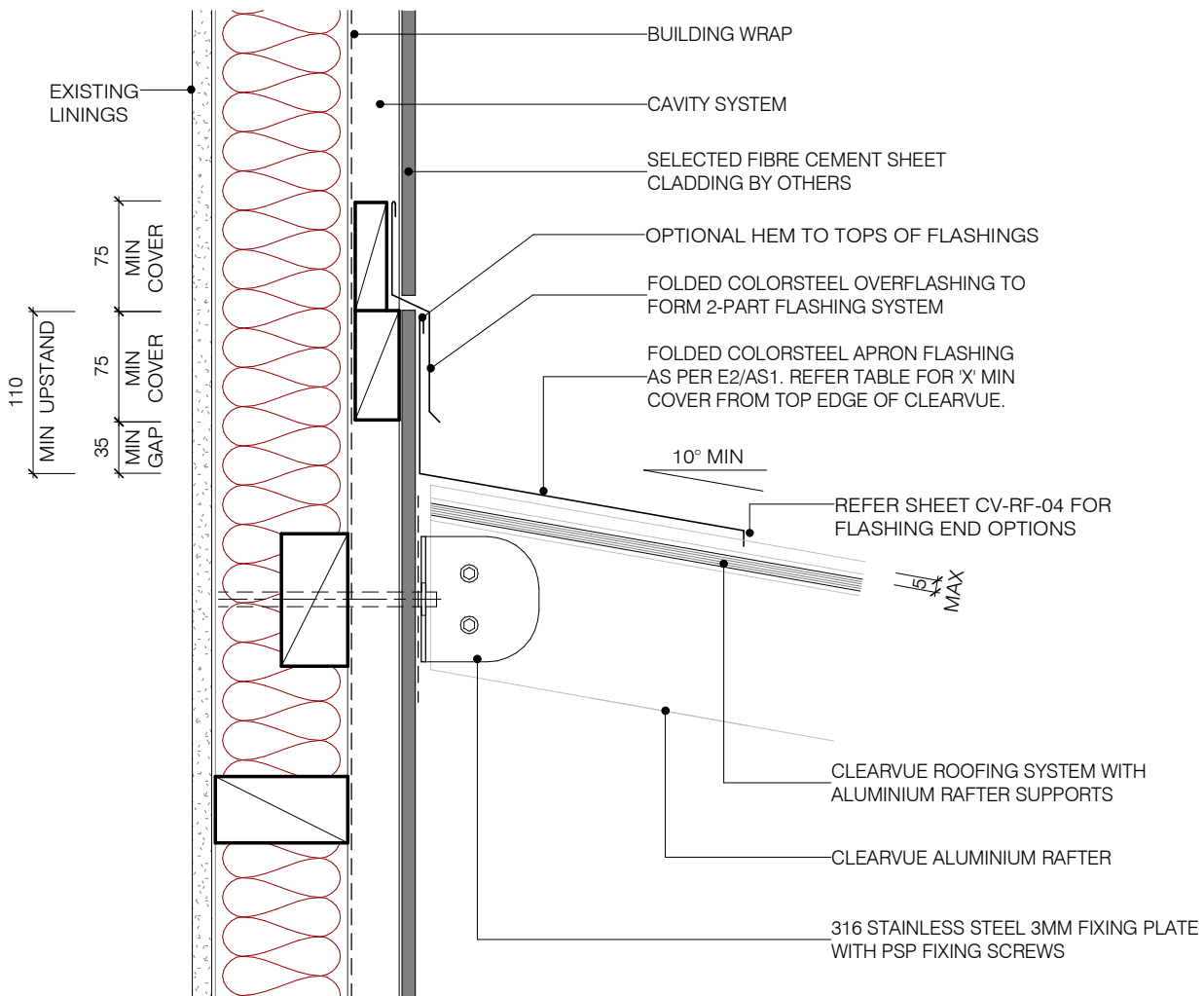
Date: 24/07/13

Dwg: **CV-FS-04**

**FLASHING WIDTH TABLE - "X"mm
(BASED ON TABLE 7, E2/AS1, AUG. 1 2011)**



SITUATION 1:	LOW, MEDIUM OR HIGH WIND ZONES, WHERE ROOF PITCH IS GREATER THAN OR EQUAL TO 10°.		
SITUATION 2:	ALL ROOF PITCHES IN VERY HIGH WIND ZONES. VERY HIGH WIND ZONE WHERE ROOF PITCH IS LESSER THAN OR EQUAL TO 10°.		
SITUATION 3:	ALL ROOF PITCHES IN EXTRA HIGH WIND ZONES.		
	SITUATION 1 (MINIMUM)	SITUATION 2 (MINIMUM)	SITUATION 3 (MINIMUM)
TRANSVERSE FLASHING	130	200	200



NOTE: All dimensions are in millimeters (mm)

**ClearVue
RETROFIT APRON DETAIL - STEEL PLATE
FIBRE CEMENT SHEET (CAVITY)**

320 Rosedale Road, Albany, Auckland, New Zealand
PO Box 101 851 NSMC, New Zealand
Note: Details may be subject to change without notification



T.09 415 2800
F.09 415 2809
www.psp.co.nz

Ensure all structural supports for ClearVue installation comply with relevant clauses of the NZBC and the New Zealand Building Act.

Scale: 1 : 5 @ A4

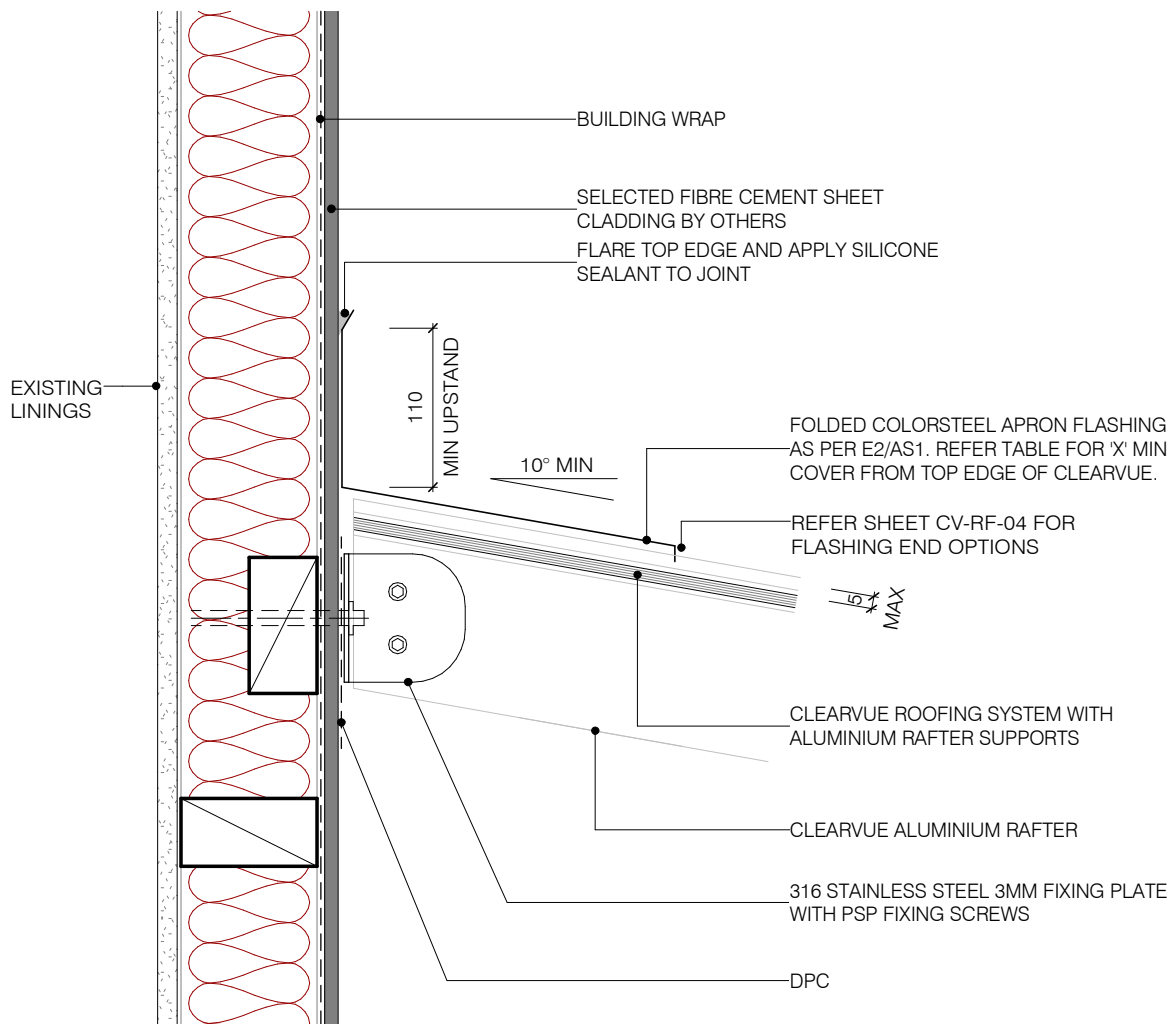
Date: 24/07/13

Dwg: **CV-FS-05**

**FLASHING WIDTH TABLE - "X"mm
(BASED ON TABLE 7, E2/AS1, AUG. 1 2011)**



SITUATION 1:	LOW, MEDIUM OR HIGH WIND ZONES, WHERE ROOF PITCH IS GREATER THAN OR EQUAL TO 10°.		
SITUATION 2:	ALL ROOF PITCHES IN VERY HIGH WIND ZONES. VERY HIGH WIND ZONE WHERE ROOF PITCH IS LESSER THAN OR EQUAL TO 10°.		
SITUATION 3:	ALL ROOF PITCHES IN EXTRA HIGH WIND ZONES.		
	SITUATION 1 (MINIMUM)	SITUATION 2 (MINIMUM)	SITUATION 3 (MINIMUM)
TRANSVERSE FLASHING	130	200	200



NOTE: All dimensions are in millimeters (mm)

**ClearVue
RETROFIT APRON DETAIL - STEEL PLATE
FIBRE CEMENT SHEET (DIRECT FIX)**

320 Rosedale Road, Albany, Auckland, New Zealand
PO Box 101 851 NSMC, New Zealand
Note: Details may be subject to change without notification



T.09 415 2800
F.09 415 2809
www.psp.co.nz

Ensure all structural supports for ClearVue installation comply with relevant clauses of the NZBC and the New Zealand Building Act.

Scale: 1 : 5 @ A4

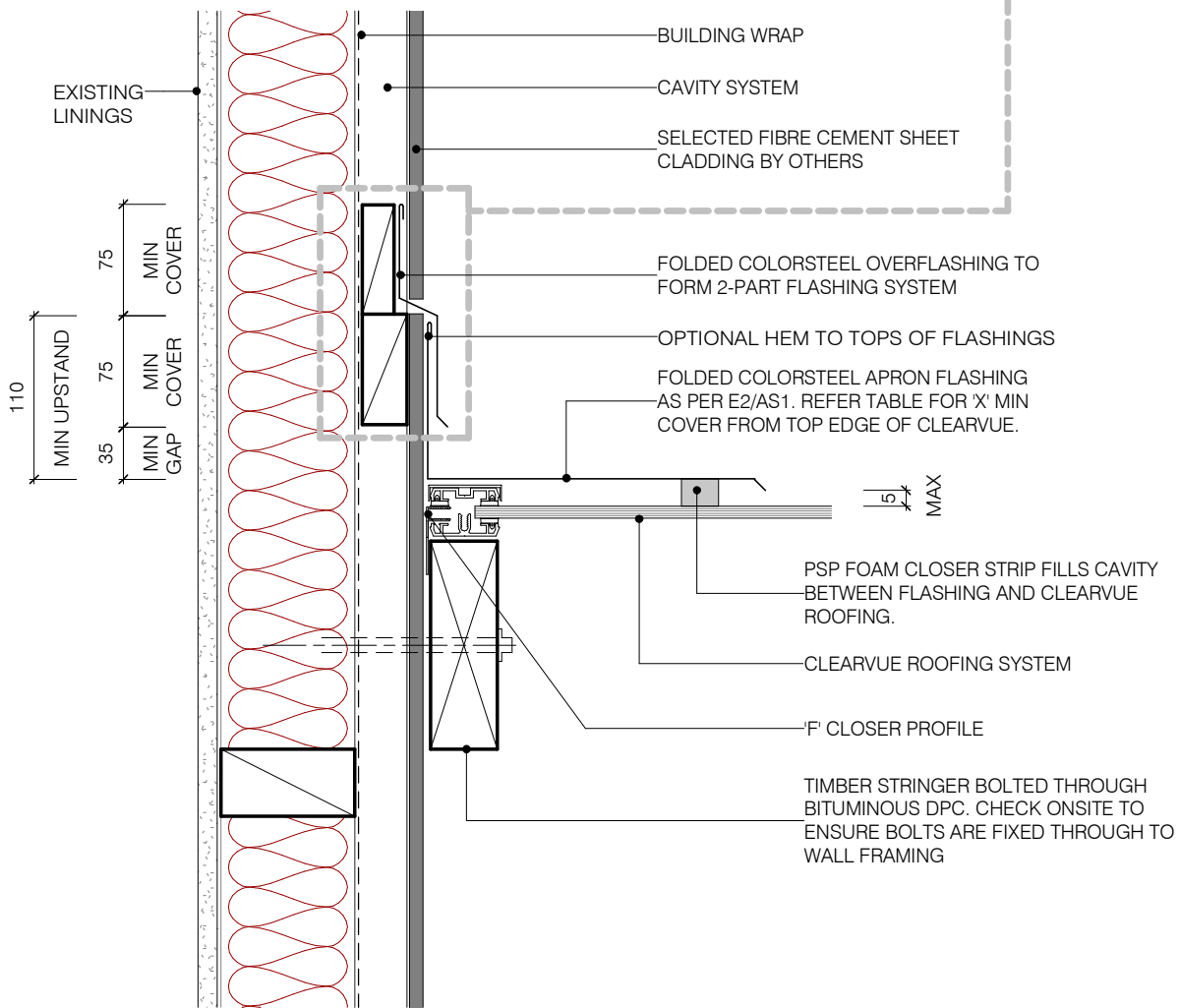
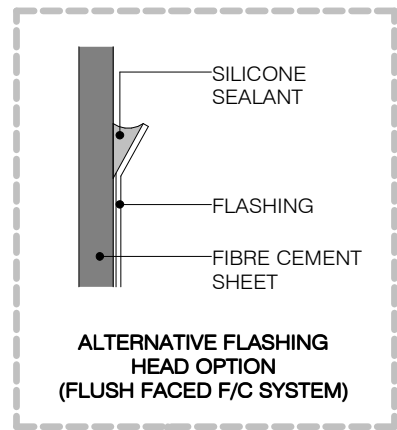
Date: 24/07/13

Dwg: **CV-FS-06**

**FLASHING WIDTH TABLE - "X"mm
(BASED ON TABLE 7, E2/AS1, AUG. 1 2011)**



SITUATION 1:	LOW, MEDIUM OR HIGH WIND ZONES, WHERE ROOF PITCH IS GREATER THAN OR EQUAL TO 10°.		
SITUATION 2:	ALL ROOF PITCHES IN VERY HIGH WIND ZONES. VERY HIGH WIND ZONE WHERE ROOF PITCH IS LESSER THAN OR EQUAL TO 10°.		
SITUATION 3:	ALL ROOF PITCHES IN EXTRA HIGH WIND ZONES.		
	SITUATION 1 (MINIMUM)	SITUATION 2 (MINIMUM)	SITUATION 3 (MINIMUM)
TRANSVERSE FLASHING	130	200	200



NOTE: All dimensions are in millimeters (mm)

**ClearVue
RETROFIT BARGE DETAIL -
FIBRE CEMENT SHEET (CAVITY)**

320 Rosedale Road, Albany, Auckland, New Zealand
PO Box 101 851 NSMC, New Zealand
Note: Details may be subject to change without notification



T.09 415 2800
F.09 415 2809
www.psp.co.nz

Ensure all structural supports for ClearVue installation comply with relevant clauses of the NZBC and the New Zealand Building Act.

Scale: 1 : 5 @ A4

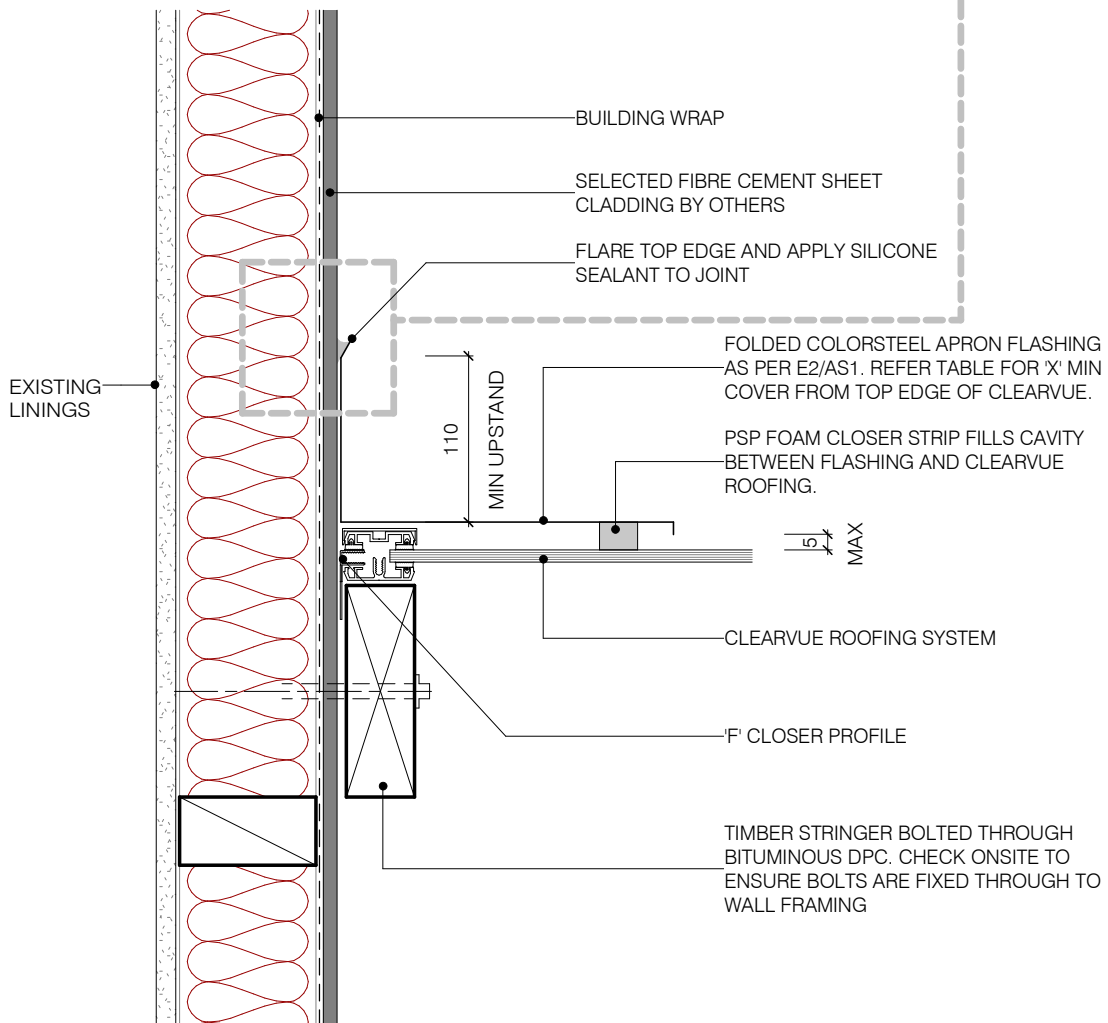
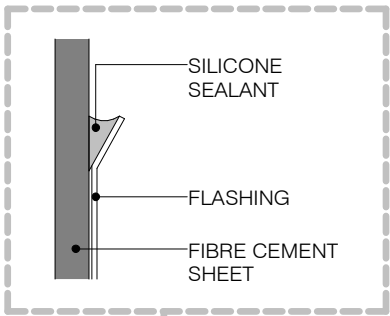
Date: 19/07/12

Dwg: **CV-FS-10**

**FLASHING WIDTH TABLE - "X"mm
(BASED ON TABLE 7, E2/AS1, AUG. 1 2011)**



SITUATION 1:	LOW, MEDIUM OR HIGH WIND ZONES, WHERE ROOF PITCH IS GREATER THAN OR EQUAL TO 10°.		
SITUATION 2:	ALL ROOF PITCHES IN VERY HIGH WIND ZONES. VERY HIGH WIND ZONE WHERE ROOF PITCH IS LESSER THAN OR EQUAL TO 10°.		
SITUATION 3:	ALL ROOF PITCHES IN EXTRA HIGH WIND ZONES.		
	SITUATION 1 (MINIMUM)	SITUATION 2 (MINIMUM)	SITUATION 3 (MINIMUM)
TRANSVERSE FLASHING	130	200	200



NOTE: All dimensions are in millimeters (mm)

**ClearVue
RETROFIT BARGE DETAIL -
FIBRE CEMENT SHEET (DIRECT FIX)**

320 Rosedale Road, Albany, Auckland, New Zealand
PO Box 101 851 NSMC, New Zealand
Note: Details may be subject to change without notification



T.09 415 2800
F.09 415 2809
www.psp.co.nz

Ensure all structural supports for ClearVue installation comply with relevant clauses of the NZBC and the New Zealand Building Act.

Scale: 1 : 5 @ A4

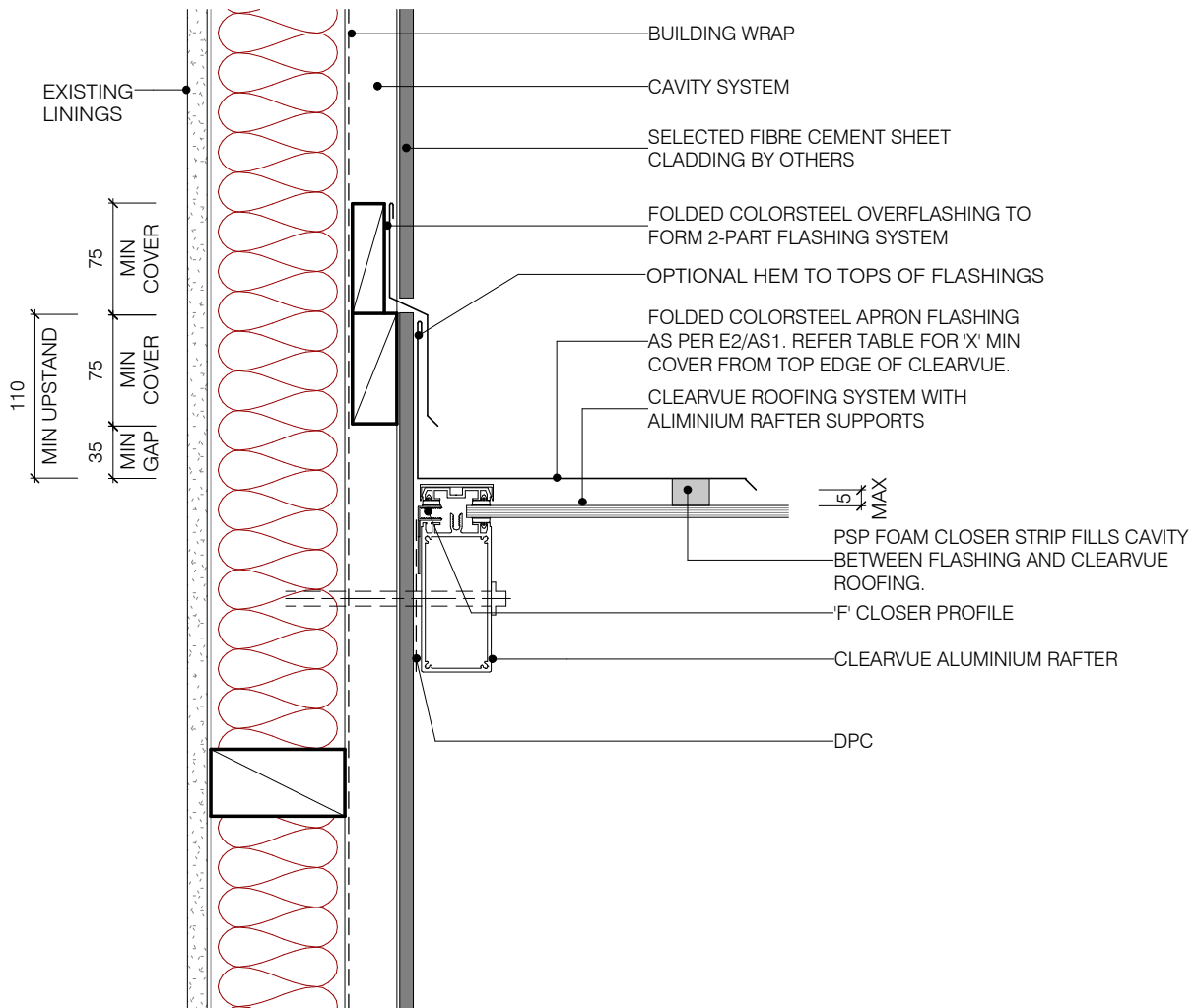
Date: 19/07/12

Dwg: CV-FS-11

**FLASHING WIDTH TABLE - "X"mm
(BASED ON TABLE 7, E2/AS1, AUG. 1 2011)**



SITUATION 1:	LOW, MEDIUM OR HIGH WIND ZONES, WHERE ROOF PITCH IS GREATER THAN OR EQUAL TO 10°.		
SITUATION 2:	ALL ROOF PITCHES IN VERY HIGH WIND ZONES. VERY HIGH WIND ZONE WHERE ROOF PITCH IS LESSER THAN OR EQUAL TO 10°.		
SITUATION 3:	ALL ROOF PITCHES IN EXTRA HIGH WIND ZONES.		
	SITUATION 1 (MINIMUM)	SITUATION 2 (MINIMUM)	SITUATION 3 (MINIMUM)
TRANSVERSE FLASHING	130	200	200



NOTE: All dimensions are in millimeters (mm)

**ClearVue
RETROFIT BARGE DETAIL FOR ALUMINIUM
RAFTER - FIBRE CEMENT SHEET (CAVITY)**

320 Rosedale Road, Albany, Auckland, New Zealand
PO Box 101 851 NSMC, New Zealand
Note: Details may be subject to change without notification



T.09 415 2800
F.09 415 2809
www.psp.co.nz

Ensure all structural supports for ClearVue installation comply with relevant clauses of the NZBC and the New Zealand Building Act.

Scale: 1 : 5 @ A4

Date: 24/07/13

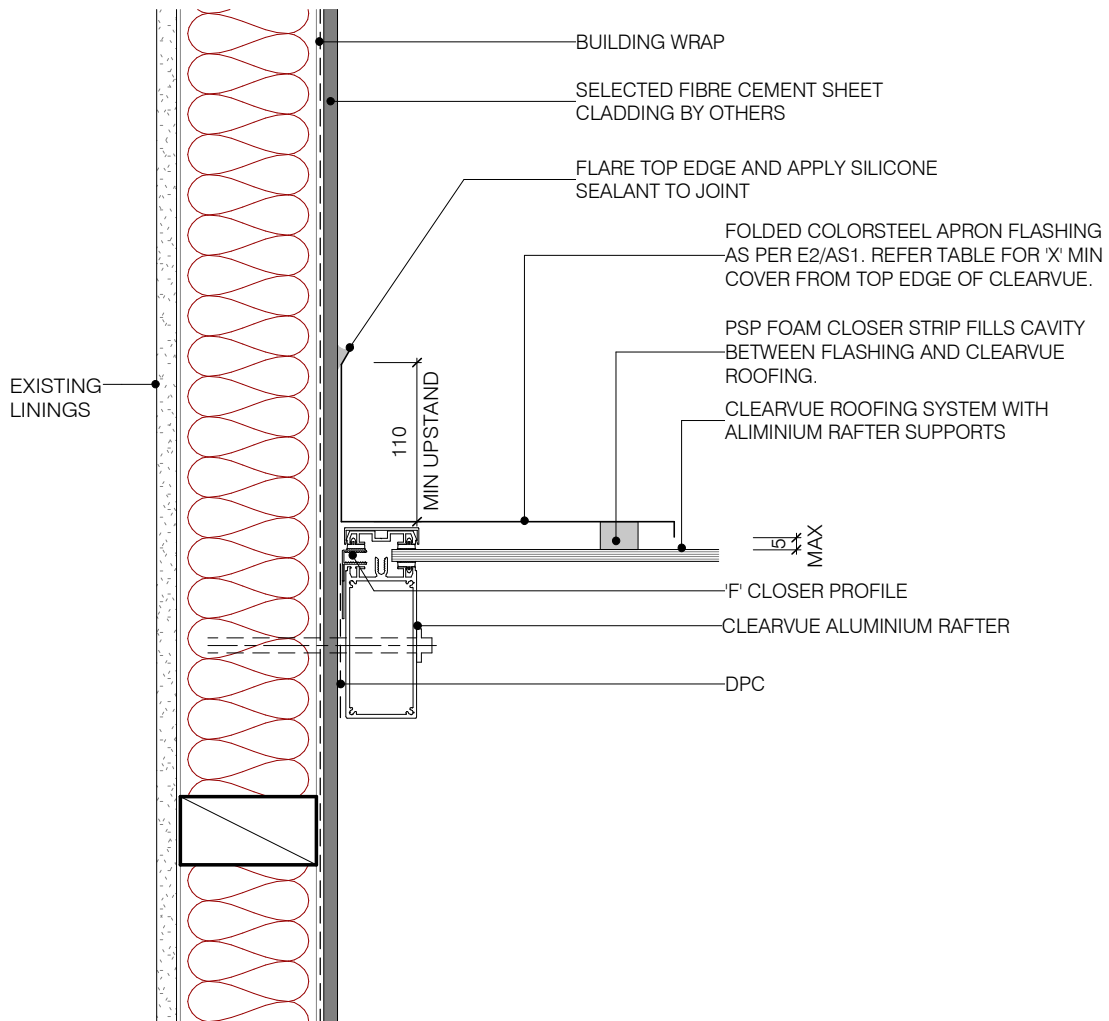
Dwg: **CV-FS-12**

**FLASHING WIDTH TABLE - "X"mm
(BASED ON TABLE 7, E2/AS1, AUG. 1 2011)**



- SITUATION 1:** LOW, MEDIUM OR HIGH WIND ZONES, WHERE ROOF PITCH IS GREATER THAN OR EQUAL TO 10°.
- SITUATION 2:** ALL ROOF PITCHES IN VERY HIGH WIND ZONES. VERY HIGH WIND ZONE WHERE ROOF PITCH IS LESSER THAN OR EQUAL TO 10°.
- SITUATION 3:** ALL ROOF PITCHES IN EXTRA HIGH WIND ZONES.

	SITUATION 1 (MINIMUM)	SITUATION 2 (MINIMUM)	SITUATION 3 (MINIMUM)
TRANSVERSE FLASHING	130	200	200



NOTE: All dimensions are in millimeters (mm)

**ClearVue
RETROFIT BARGE DETAIL FOR ALUMINIUM
RAFTER - FIBRE CEMENT SHEET (DIRECT FIX)**



320 Rosedale Road, Albany, Auckland, New Zealand
PO Box 101 851 NSMC, New Zealand
Note: Details may be subject to change without notification

T.09 415 2800
F.09 415 2809
www.psp.co.nz

Ensure all structural supports for ClearVue installation comply with relevant clauses of the NZBC and the New Zealand Building Act.

Scale: 1 : 5 @ A4

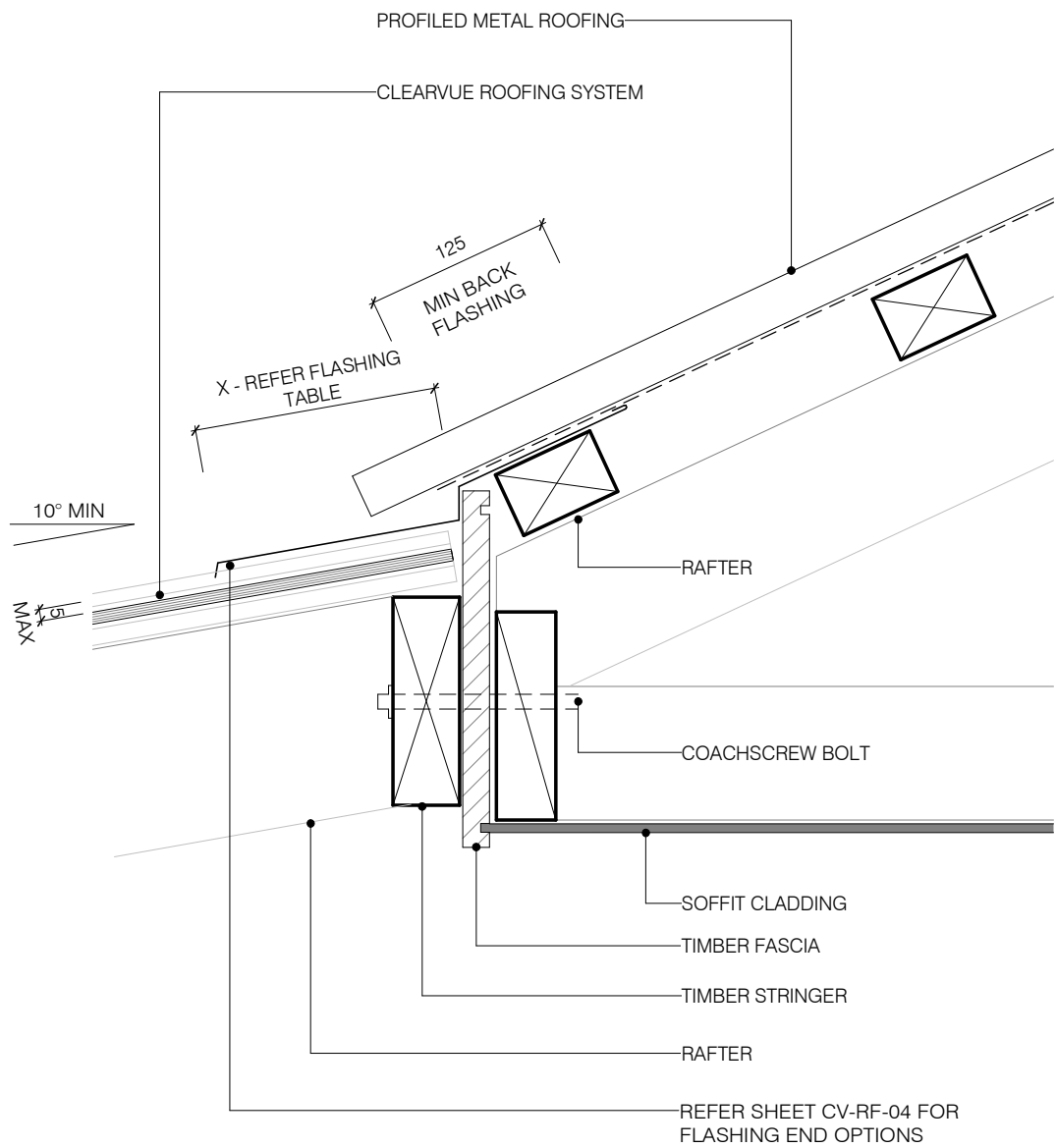
Date: 24/07/13

Dwg: **CV-FS-13**

**FLASHING WIDTH TABLE - "X"mm
(BASED ON TABLE 7, E2/AS1, AUG. 1 2011)**



SITUATION 1:	LOW, MEDIUM OR HIGH WIND ZONES, WHERE ROOF PITCH IS GREATER THAN OR EQUAL TO 10°.		
SITUATION 2:	ALL ROOF PITCHES IN VERY HIGH WIND ZONES. VERY HIGH WIND ZONE WHERE ROOF PITCH IS LESSER THAN OR EQUAL TO 10°.		
SITUATION 3:	ALL ROOF PITCHES IN EXTRA HIGH WIND ZONES.		
	SITUATION 1 (MINIMUM)	SITUATION 2 (MINIMUM)	SITUATION 3 (MINIMUM)
TRANSVERSE FLASHING	130	200	200



NOTE: All dimensions are in millimeters (mm)

**ClearVue
TYPICAL EAVES DETAIL**

320 Rosedale Road, Albany, Auckland, New Zealand
PO Box 101 851 NSMC, New Zealand
Note: Details may be subject to change without notification



T.09 415 2800
F.09 415 2809
www.psp.co.nz

Ensure all structural supports for ClearVue installation comply with relevant clauses of the NZBC and the New Zealand Building Act.

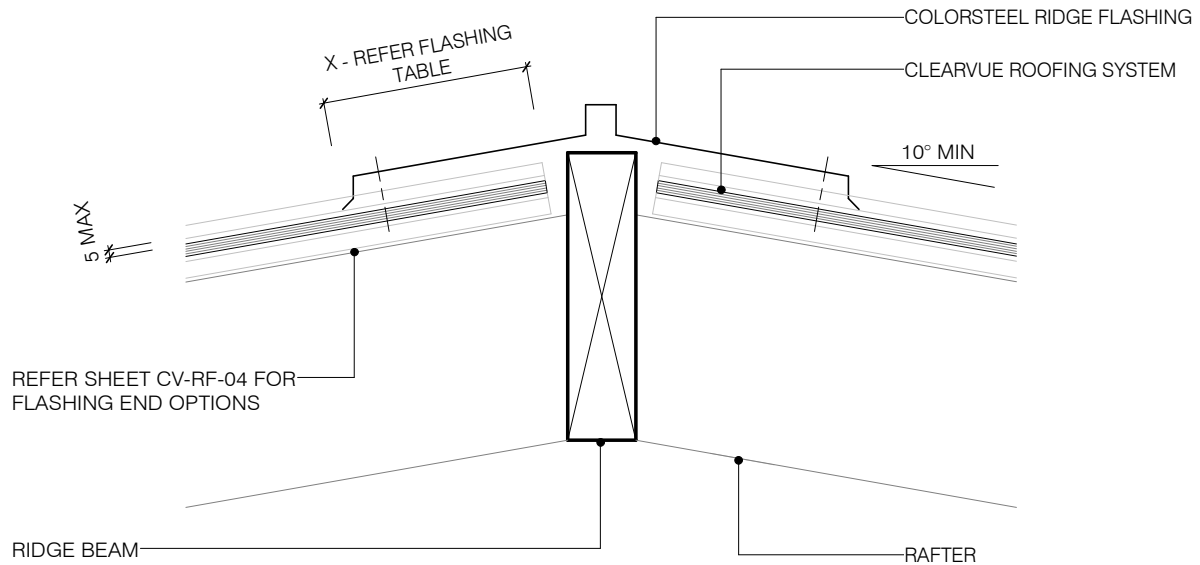
Scale: 1 : 5 @ A4
Date: 24/07/13

Dwg: **CV-RF-01**

**FLASHING WIDTH TABLE - "X"mm
(BASED ON TABLE 7, E2/AS1, AUG. 1 2011)**



SITUATION 1:	LOW, MEDIUM OR HIGH WIND ZONES, WHERE ROOF PITCH IS GREATER THAN OR EQUAL TO 10°.		
SITUATION 2:	ALL ROOF PITCHES IN VERY HIGH WIND ZONES. VERY HIGH WIND ZONE WHERE ROOF PITCH IS LESSER THAN OR EQUAL TO 10°.		
SITUATION 3:	ALL ROOF PITCHES IN EXTRA HIGH WIND ZONES.		
	SITUATION 1 (MINIMUM)	SITUATION 2 (MINIMUM)	SITUATION 3 (MINIMUM)
TRANSVERSE FLASHING	130	200	200



NOTE: All dimensions are in millimeters (mm)

ClearVue

TYPICAL RIDGE DETAIL

320 Rosedale Road, Albany, Auckland, New Zealand
 PO Box 101 851 NSMC, New Zealand
 Note: Details may be subject to change without notification



T.09 415 2800
 F.09 415 2809
 www.psp.co.nz

Ensure all structural supports for ClearVue installation comply with relevant clauses of the NZBC and the New Zealand Building Act.

Scale: 1 : 5 @ A4

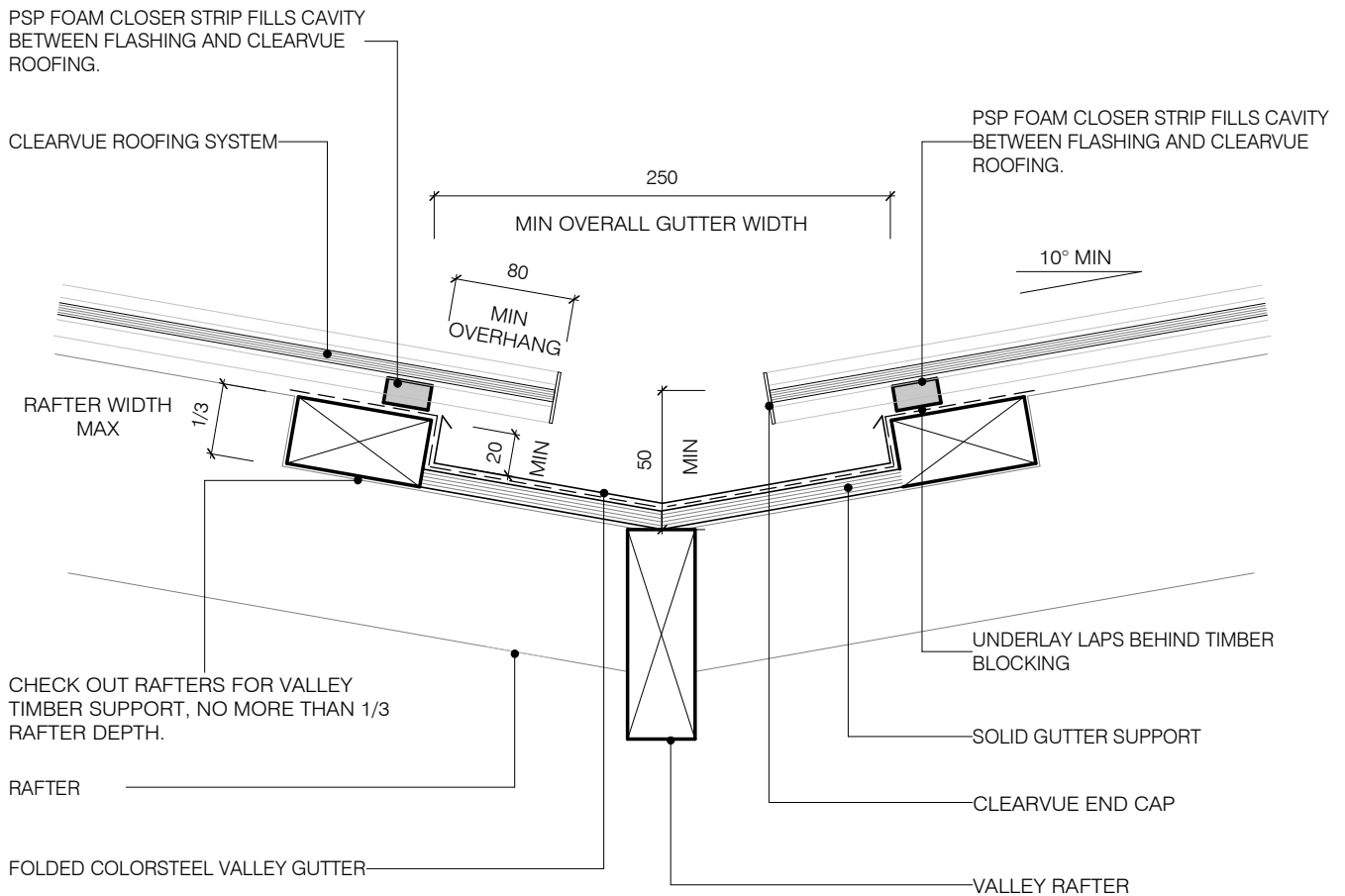
Date: 24/07/13

Dwg: **CV-RF-02**

**FLASHING WIDTH TABLE - "X"mm
(BASED ON TABLE 7, E2/AS1, AUG. 1 2011)**



SITUATION 1:	LOW, MEDIUM OR HIGH WIND ZONES, WHERE ROOF PITCH IS GREATER THAN OR EQUAL TO 10°.		
SITUATION 2:	ALL ROOF PITCHES IN VERY HIGH WIND ZONES. VERY HIGH WIND ZONE WHERE ROOF PITCH IS LESSER THAN OR EQUAL TO 10°.		
SITUATION 3:	ALL ROOF PITCHES IN EXTRA HIGH WIND ZONES.		
	SITUATION 1 (MINIMUM)	SITUATION 2 (MINIMUM)	SITUATION 3 (MINIMUM)
TRANSVERSE FLASHING	130	200	200



NOTE: All dimensions are in millimeters (mm)

ClearVue

TYPICAL VALLEY DETAIL

320 Rosedale Road, Albany, Auckland, New Zealand
 PO Box 101 851 NSMC, New Zealand
 Note: Details may be subject to change without notification



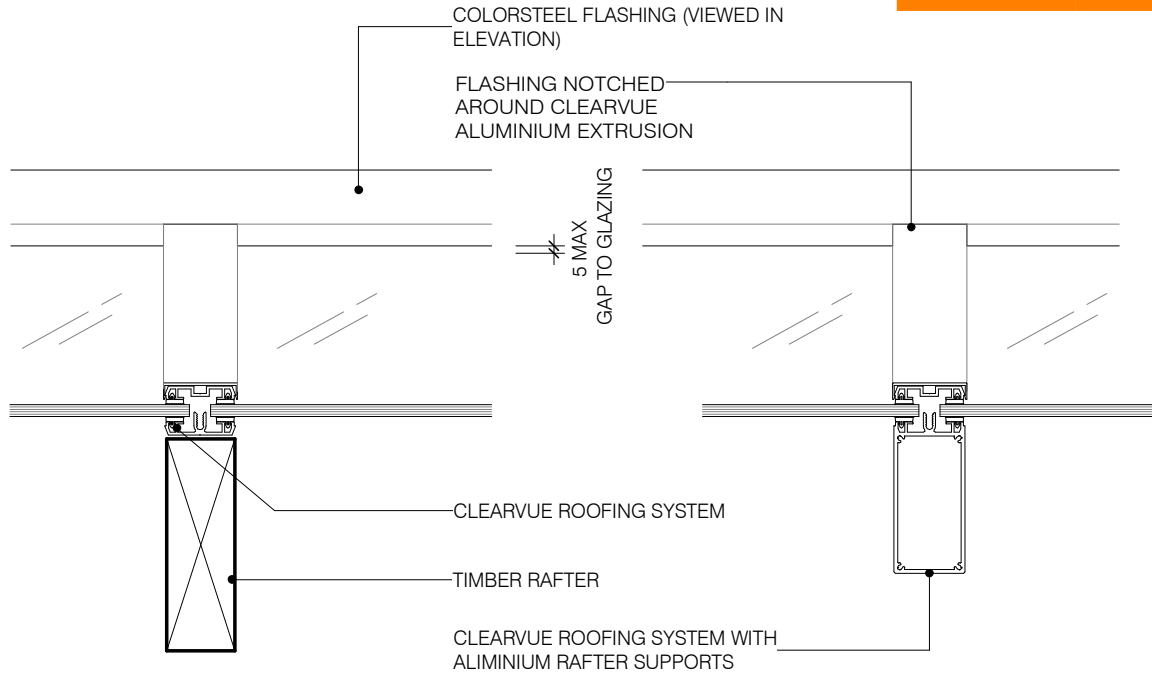
T.09 415 2800
 F.09 415 2809
 www.psp.co.nz

Ensure all structural supports for ClearVue installation comply with relevant clauses of the NZBC and the New Zealand Building Act.

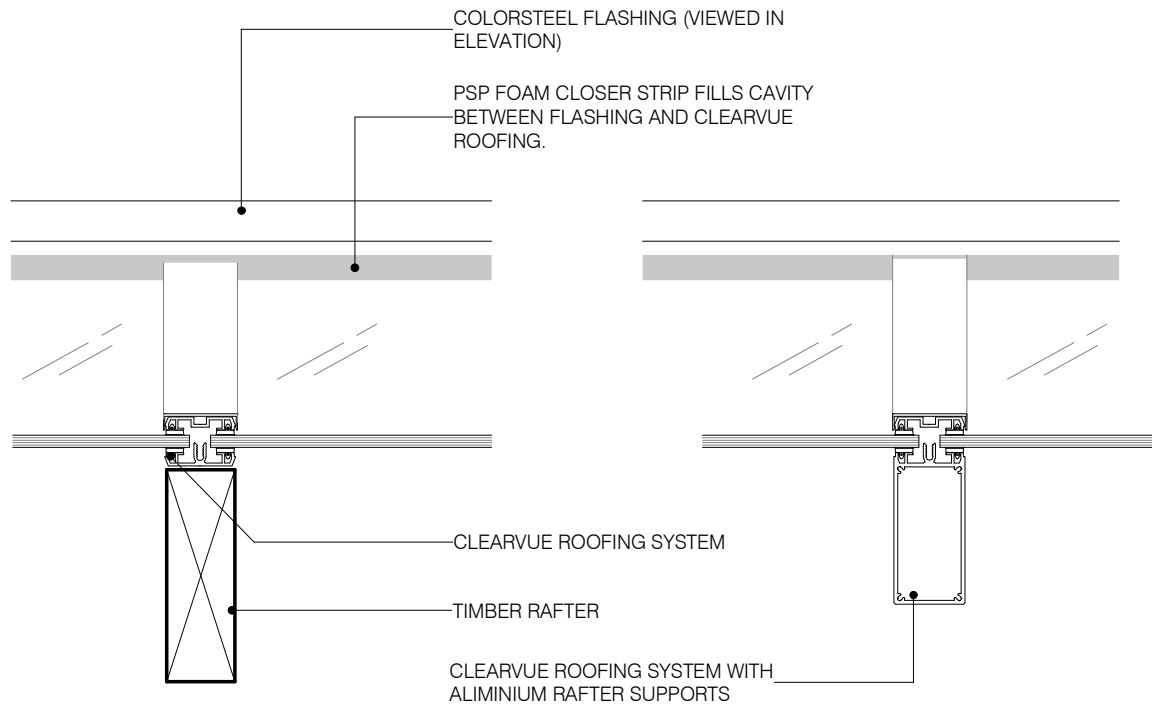
Scale: 1 : 5 @ A4

Date: 24/07/13

Dwg: CV-RF-03



NOTCHED FLASHING OPTION



FOAM INFILL OPTION

NOTE: All dimensions are in millimeters (mm)

ClearVue

FLASHING END OPTIONS

320 Rosedale Road, Albany, Auckland, New Zealand
 PO Box 101 851 NSMC, New Zealand
 Note: Details may be subject to change without notification



T.09 415 2800
 F.09 415 2809
www.psp.co.nz

Ensure all structural supports for ClearVue installation comply with relevant clauses of the NZBC and the New Zealand Building Act.

Scale: 1 : 5 @ A4

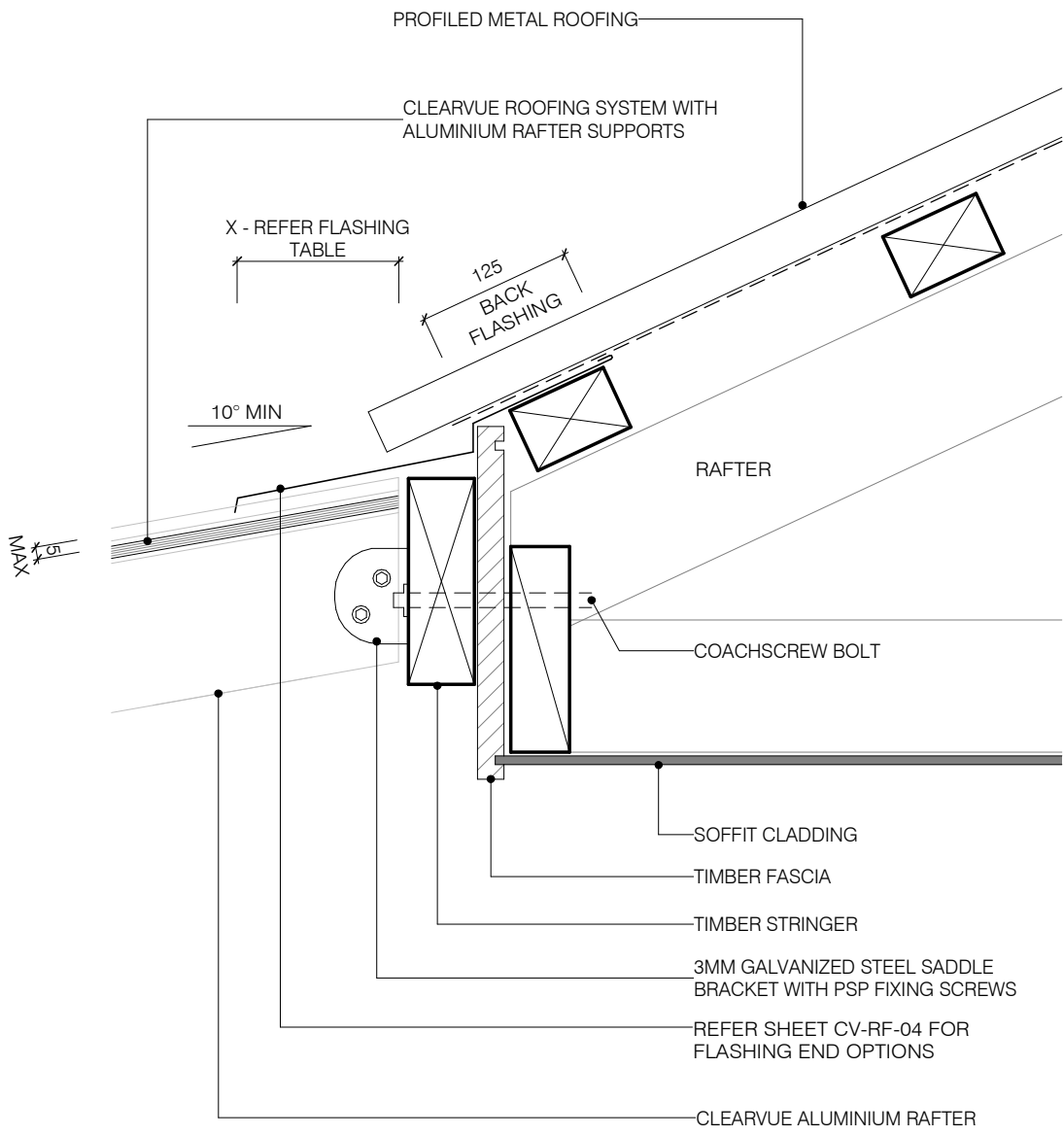
Date: 25/09/12

Dwg: **CV-RF-04**

**FLASHING WIDTH TABLE - "X"mm
(BASED ON TABLE 7, E2/AS1, AUG. 1 2011)**



SITUATION 1:	LOW, MEDIUM OR HIGH WIND ZONES, WHERE ROOF PITCH IS GREATER THAN OR EQUAL TO 10°.		
SITUATION 2:	ALL ROOF PITCHES IN VERY HIGH WIND ZONES. VERY HIGH WIND ZONE WHERE ROOF PITCH IS LESSER THAN OR EQUAL TO 10°.		
SITUATION 3:	ALL ROOF PITCHES IN EXTRA HIGH WIND ZONES.		
	SITUATION 1 (MINIMUM)	SITUATION 2 (MINIMUM)	SITUATION 3 (MINIMUM)
TRANSVERSE FLASHING	130	200	200



NOTE: All dimensions are in millimeters (mm)

ClearVue

TYPICAL EAVES DETAIL - SADDLE BRACKET

320 Rosedale Road, Albany, Auckland, New Zealand
 PO Box 101 851 NSMC, New Zealand
 Note: Details may be subject to change without notification



T.09 415 2800
 F.09 415 2809
 www.psp.co.nz

Ensure all structural supports for ClearVue installation comply with relevant clauses of the NZBC and the New Zealand Building Act.

Scale: 1 : 5 @ A4

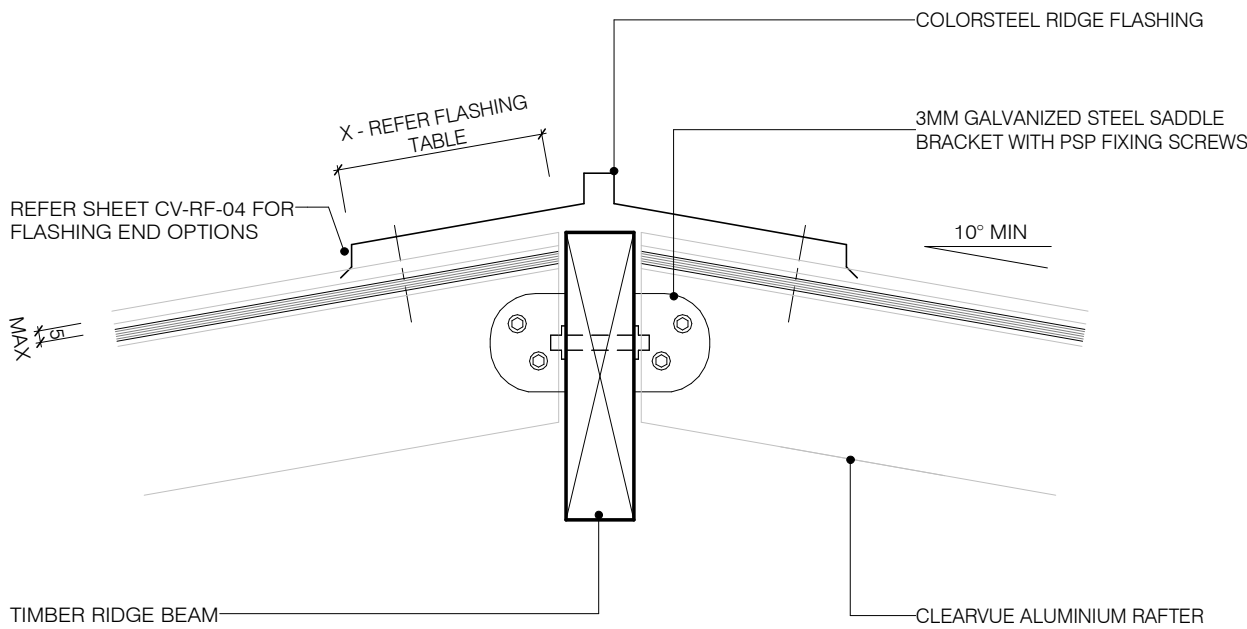
Date: 24/07/13

Dwg: **CV-RF-10**

**FLASHING WIDTH TABLE - "X"mm
(BASED ON TABLE 7, E2/AS1, AUG. 1 2011)**



SITUATION 1:	LOW, MEDIUM OR HIGH WIND ZONES, WHERE ROOF PITCH IS GREATER THAN OR EQUAL TO 10°.		
SITUATION 2:	ALL ROOF PITCHES IN VERY HIGH WIND ZONES. VERY HIGH WIND ZONE WHERE ROOF PITCH IS LESSER THAN OR EQUAL TO 10°.		
SITUATION 3:	ALL ROOF PITCHES IN EXTRA HIGH WIND ZONES.		
	SITUATION 1 (MINIMUM)	SITUATION 2 (MINIMUM)	SITUATION 3 (MINIMUM)
TRANSVERSE FLASHING	130	200	200



NOTE: All dimensions are in millimeters (mm)

ClearVue

TYPICAL RIDGE DETAIL - SADDLE BRACKET

320 Rosedale Road, Albany, Auckland, New Zealand
 PO Box 101 851 NSMC, New Zealand
 Note: Details may be subject to change without notification



T.09 415 2800
 F.09 415 2809
 www.psp.co.nz

Ensure all structural supports for ClearVue installation comply with relevant clauses of the NZBC and the New Zealand Building Act.

Scale: 1 : 5 @ A4

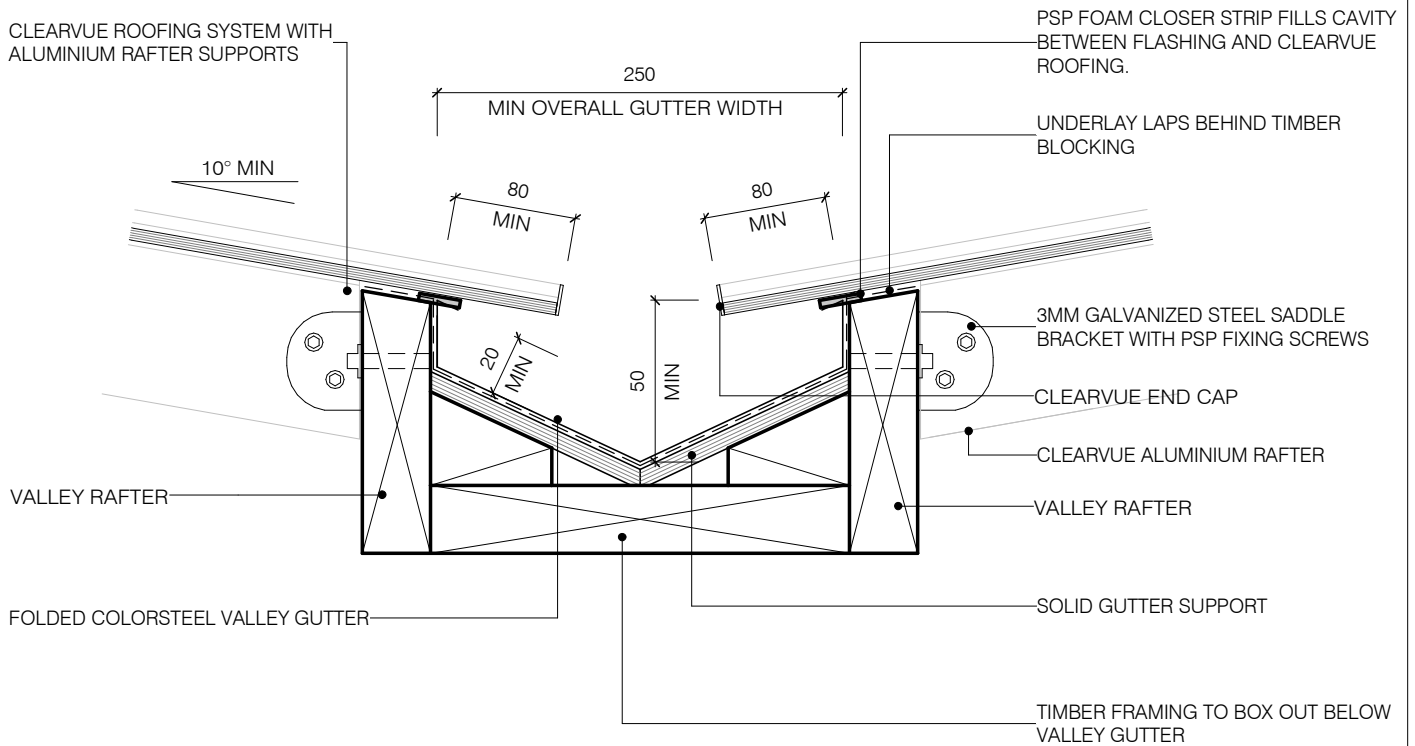
Date: 24/07/13

Dwg: **CV-RF-11**

**FLASHING WIDTH TABLE - "X"mm
(BASED ON TABLE 7, E2/AS1, AUG. 1 2011)**



SITUATION 1:	LOW, MEDIUM OR HIGH WIND ZONES, WHERE ROOF PITCH IS GREATER THAN OR EQUAL TO 10°.		
SITUATION 2:	ALL ROOF PITCHES IN VERY HIGH WIND ZONES. VERY HIGH WIND ZONE WHERE ROOF PITCH IS LESSER THAN OR EQUAL TO 10°.		
SITUATION 3:	ALL ROOF PITCHES IN EXTRA HIGH WIND ZONES.		
	SITUATION 1 (MINIMUM)	SITUATION 2 (MINIMUM)	SITUATION 3 (MINIMUM)
TRANSVERSE FLASHING	130	200	200



NOTE: All dimensions are in millimeters (mm)

ClearVue

TYPICAL VALLEY DETAIL - SADDLE BRACKET

320 Rosedale Road, Albany, Auckland, New Zealand
 PO Box 101 851 NSMC, New Zealand
 Note: Details may be subject to change without notification



T.09 415 2800
 F.09 415 2809
 www.psp.co.nz

Ensure all structural supports for ClearVue installation comply with relevant clauses of the NZBC and the New Zealand Building Act.

Scale: 1 : 5 @ A4

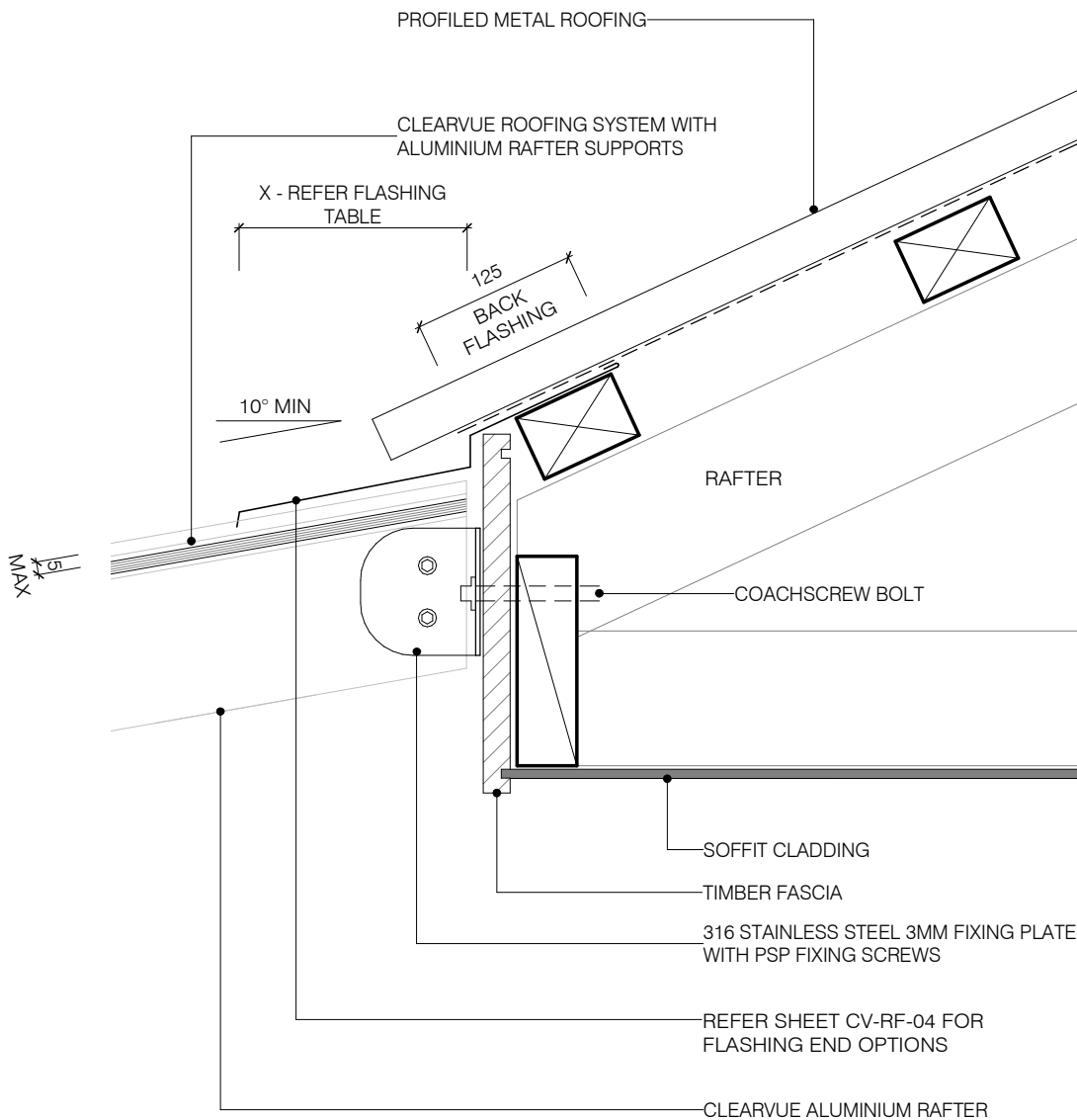
Date: 24/07/13

Dwg: CV-RF-12

**FLASHING WIDTH TABLE - "X"mm
(BASED ON TABLE 7, E2/AS1, AUG. 1 2011)**



SITUATION 1:	LOW, MEDIUM OR HIGH WIND ZONES, WHERE ROOF PITCH IS GREATER THAN OR EQUAL TO 10°.		
SITUATION 2:	ALL ROOF PITCHES IN VERY HIGH WIND ZONES. VERY HIGH WIND ZONE WHERE ROOF PITCH IS LESSER THAN OR EQUAL TO 10°.		
SITUATION 3:	ALL ROOF PITCHES IN EXTRA HIGH WIND ZONES.		
	SITUATION 1 (MINIMUM)	SITUATION 2 (MINIMUM)	SITUATION 3 (MINIMUM)
TRANSVERSE FLASHING	130	200	200



NOTE: All dimensions are in millimeters (mm)

ClearVue

TYPICAL EAVES DETAIL - STEEL PLATE

320 Rosedale Road, Albany, Auckland, New Zealand
 PO Box 101 851 NSMC, New Zealand
 Note: Details may be subject to change without notification



T.09 415 2800
 F.09 415 2809
 www.psp.co.nz

Ensure all structural supports for ClearVue installation comply with relevant clauses of the NZBC and the New Zealand Building Act.

Scale: 1 : 5 @ A4

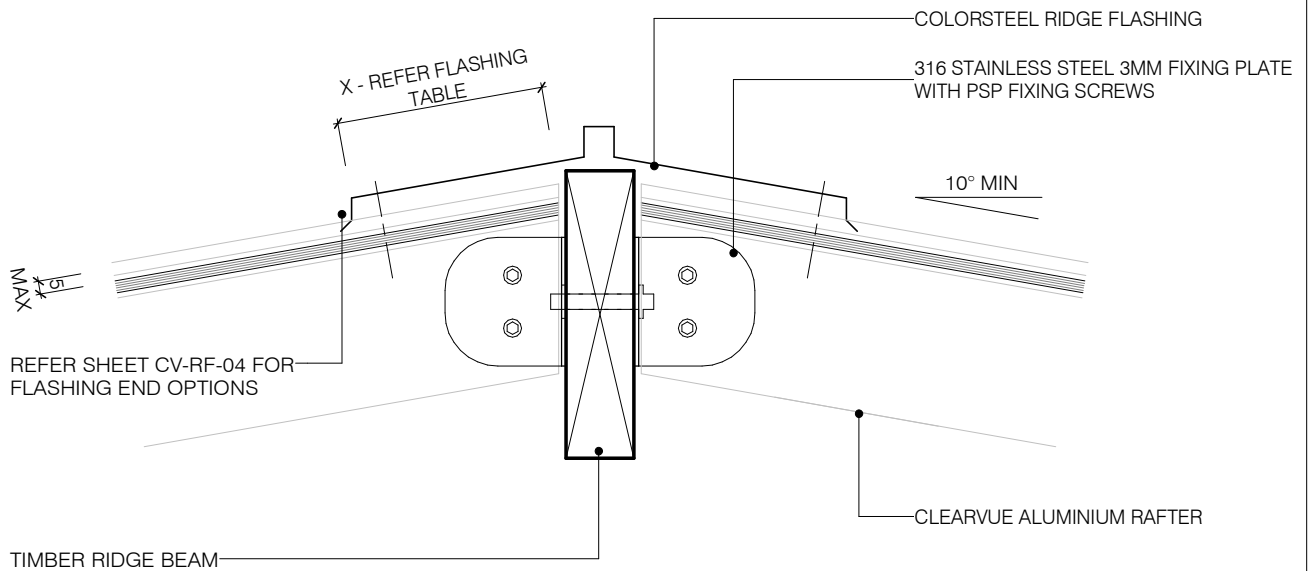
Date: 24/07/13

Dwg: **CV-RF-20**

**FLASHING WIDTH TABLE - "X"mm
(BASED ON TABLE 7, E2/AS1, AUG. 1 2011)**



SITUATION 1:	LOW, MEDIUM OR HIGH WIND ZONES, WHERE ROOF PITCH IS GREATER THAN OR EQUAL TO 10°.		
SITUATION 2:	ALL ROOF PITCHES IN VERY HIGH WIND ZONES. VERY HIGH WIND ZONE WHERE ROOF PITCH IS LESSER THAN OR EQUAL TO 10°.		
SITUATION 3:	ALL ROOF PITCHES IN EXTRA HIGH WIND ZONES.		
	SITUATION 1 (MINIMUM)	SITUATION 2 (MINIMUM)	SITUATION 3 (MINIMUM)
TRANSVERSE FLASHING	130	200	200



NOTE: All dimensions are in millimeters (mm)

ClearVue

TYPICAL RIDGE DETAIL - STEEL PLATE

320 Rosedale Road, Albany, Auckland, New Zealand
 PO Box 101 851 NSMC, New Zealand
 Note: Details may be subject to change without notification



T.09 415 2800
 F.09 415 2809
 www.psp.co.nz

Ensure all structural supports for ClearVue installation comply with relevant clauses of the NZBC and the New Zealand Building Act.

Scale: 1 : 5 @ A4

Date: 24/07/13

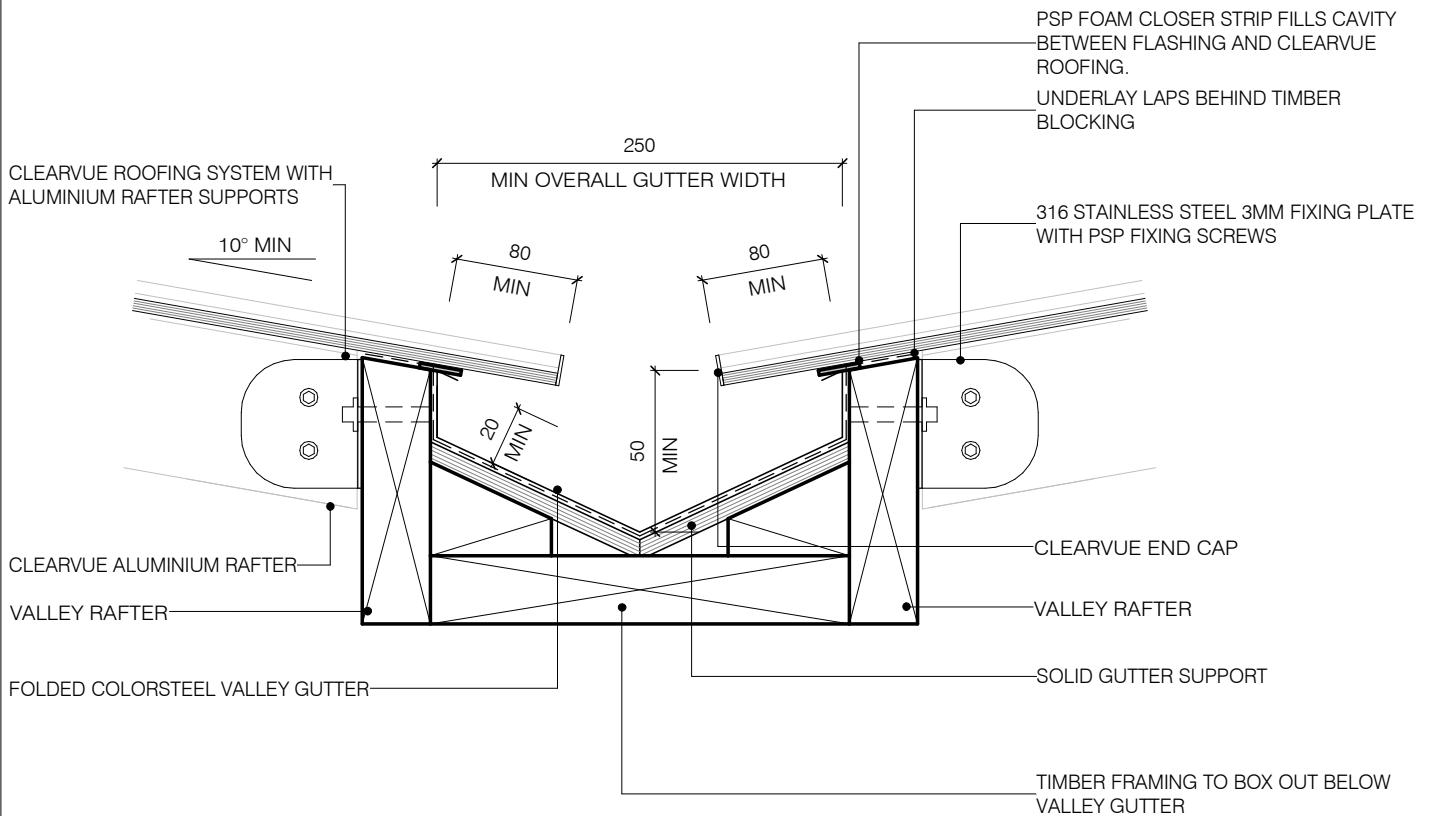
Dwg: **CV-RF-21**

**FLASHING WIDTH TABLE - "X"mm
(BASED ON TABLE 7, E2/AS1, AUG. 1 2011)**



- SITUATION 1:** LOW, MEDIUM OR HIGH WIND ZONES, WHERE ROOF PITCH IS GREATER THAN OR EQUAL TO 10°.
- SITUATION 2:** ALL ROOF PITCHES IN VERY HIGH WIND ZONES. VERY HIGH WIND ZONE WHERE ROOF PITCH IS LESSER THAN OR EQUAL TO 10°.
- SITUATION 3:** ALL ROOF PITCHES IN EXTRA HIGH WIND ZONES.

	SITUATION 1 (MINIMUM)	SITUATION 2 (MINIMUM)	SITUATION 3 (MINIMUM)
TRANSVERSE FLASHING	130	200	200



NOTE: All dimensions are in millimeters (mm)

ClearVue

TYPICAL VALLEY DETAIL - STEEL PLATE

320 Rosedale Road, Albany, Auckland, New Zealand
 PO Box 101 851 NSMC, New Zealand
 Note: Details may be subject to change without notification



T.09 415 2800
 F.09 415 2809
 www.psp.co.nz

Ensure all structural supports for ClearVue installation comply with relevant clauses of the NZBC and the New Zealand Building Act.

Scale: 1 : 5 @ A4

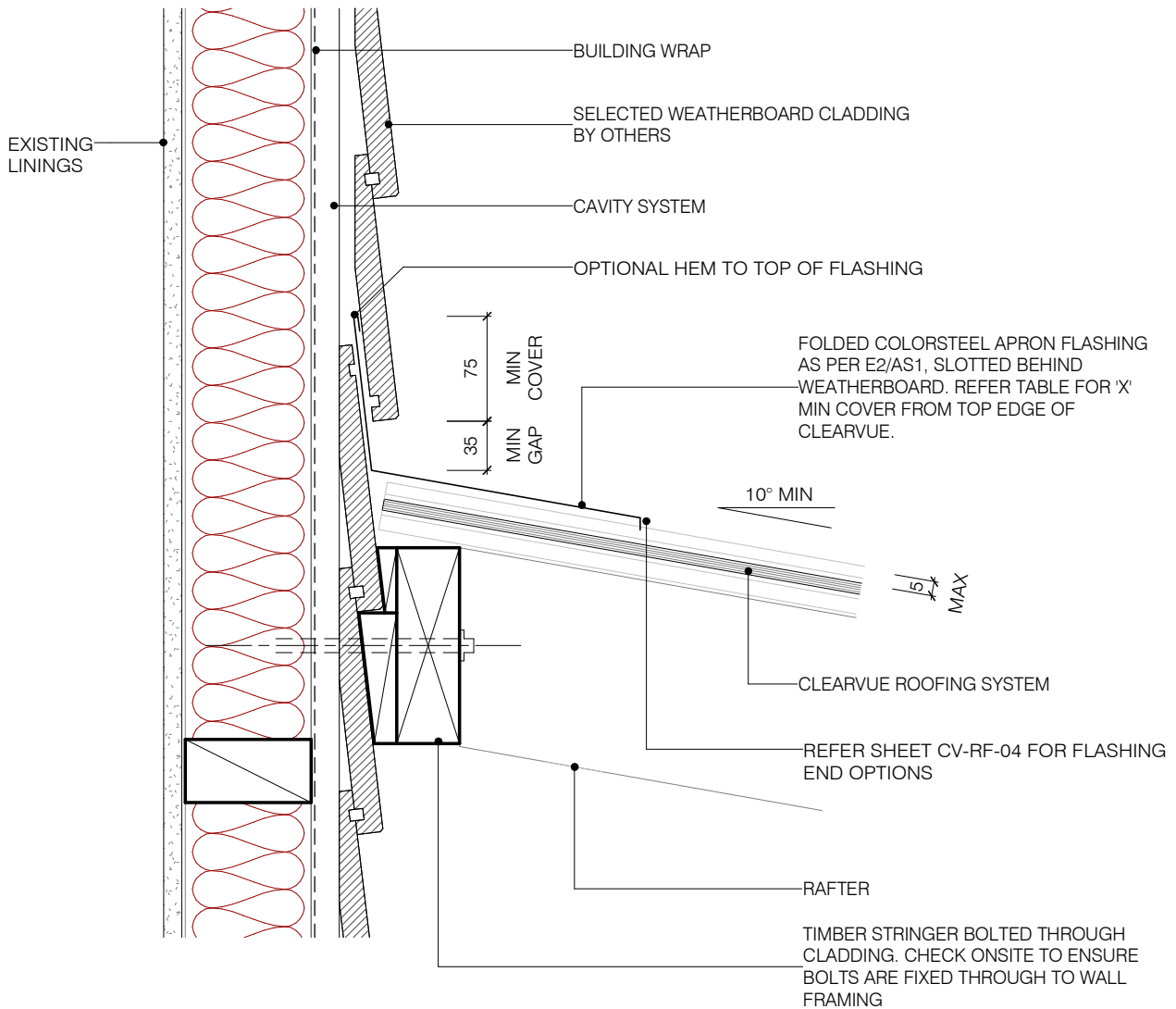
Date: 24/07/13

Dwg: **CV-RF-22**

**FLASHING WIDTH TABLE - "X"mm
(BASED ON TABLE 7, E2/AS1, AUG. 1 2011)**



SITUATION 1:	LOW, MEDIUM OR HIGH WIND ZONES, WHERE ROOF PITCH IS GREATER THAN OR EQUAL TO 10°.		
SITUATION 2:	ALL ROOF PITCHES IN VERY HIGH WIND ZONES. VERY HIGH WIND ZONE WHERE ROOF PITCH IS LESSER THAN OR EQUAL TO 10°.		
SITUATION 3:	ALL ROOF PITCHES IN EXTRA HIGH WIND ZONES.		
	SITUATION 1 (MINIMUM)	SITUATION 2 (MINIMUM)	SITUATION 3 (MINIMUM)
TRANSVERSE FLASHING	130	200	200



NOTE: All dimensions are in millimeters (mm)

**ClearVue
RETROFIT APRON DETAIL -
WEATHERBOARD (CAVITY)**

320 Rosedale Road, Albany, Auckland, New Zealand
PO Box 101 851 NSMC, New Zealand
Note: Details may be subject to change without notification



T.09 415 2800
F.09 415 2809
www.psp.co.nz

Ensure all structural supports for ClearVue installation comply with relevant clauses of the NZBC and the New Zealand Building Act.

Scale: 1 : 5 @ A4

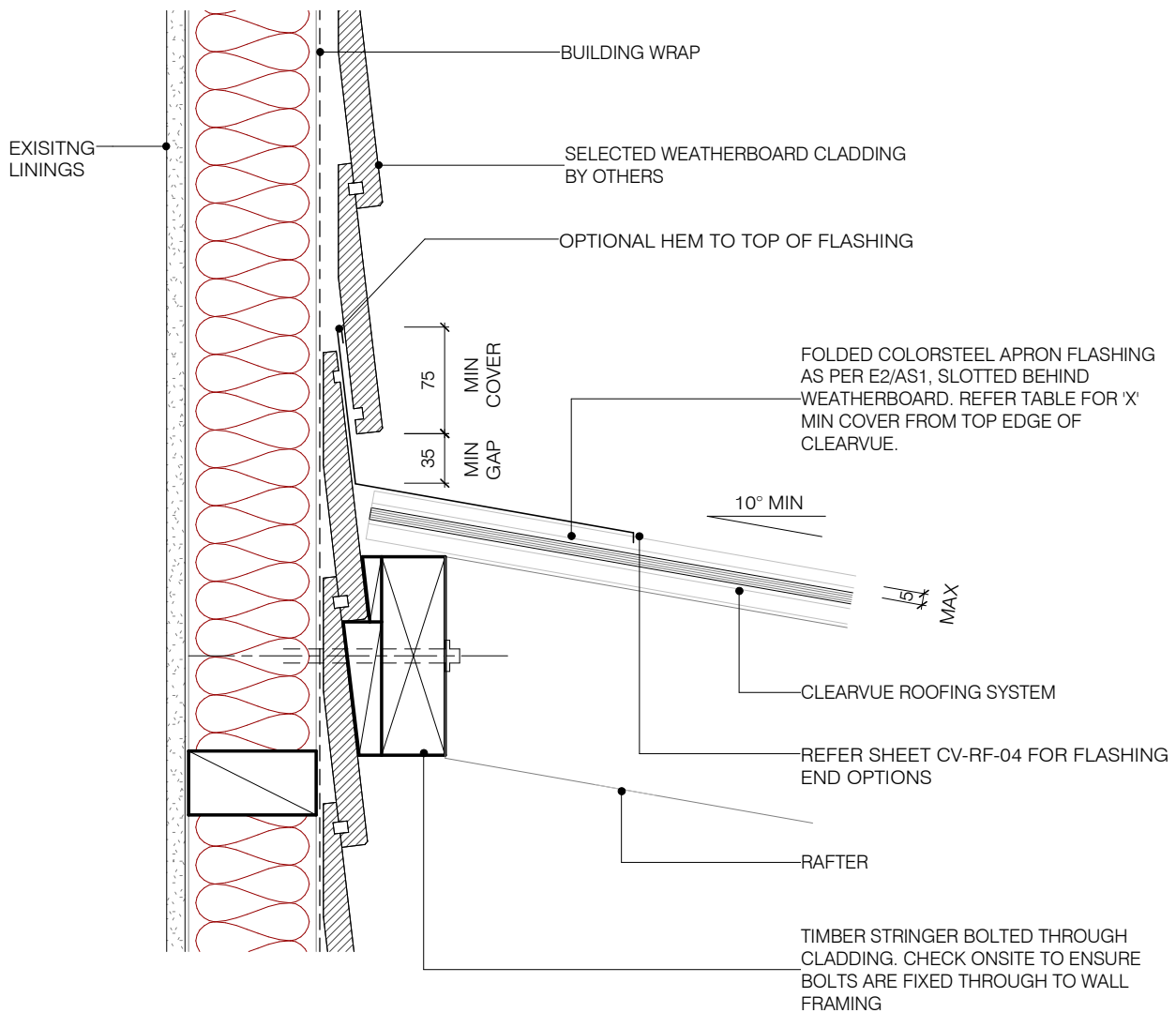
Date: 24/07/13

Dwg: **CV-WB-01**

**FLASHING WIDTH TABLE - "X"mm
(BASED ON TABLE 7, E2/AS1, AUG. 1 2011)**



SITUATION 1:	LOW, MEDIUM OR HIGH WIND ZONES, WHERE ROOF PITCH IS GREATER THAN OR EQUAL TO 10°.		
SITUATION 2:	ALL ROOF PITCHES IN VERY HIGH WIND ZONES. VERY HIGH WIND ZONE WHERE ROOF PITCH IS LESSER THAN OR EQUAL TO 10°.		
SITUATION 3:	ALL ROOF PITCHES IN EXTRA HIGH WIND ZONES.		
	SITUATION 1 (MINIMUM)	SITUATION 2 (MINIMUM)	SITUATION 3 (MINIMUM)
TRANSVERSE FLASHING	130	200	200



NOTE: All dimensions are in millimeters (mm)

**ClearVue
RETROFIT APRON DETAIL -
WEATHERBOARD (DIRECT FIX)**

320 Rosedale Road, Albany, Auckland, New Zealand
PO Box 101 851 NSMC, New Zealand
Note: Details may be subject to change without notification



T.09 415 2800
F.09 415 2809
www.psp.co.nz

Ensure all structural supports for ClearVue installation comply with relevant clauses of the NZBC and the New Zealand Building Act.

Scale: 1 : 5 @ A4

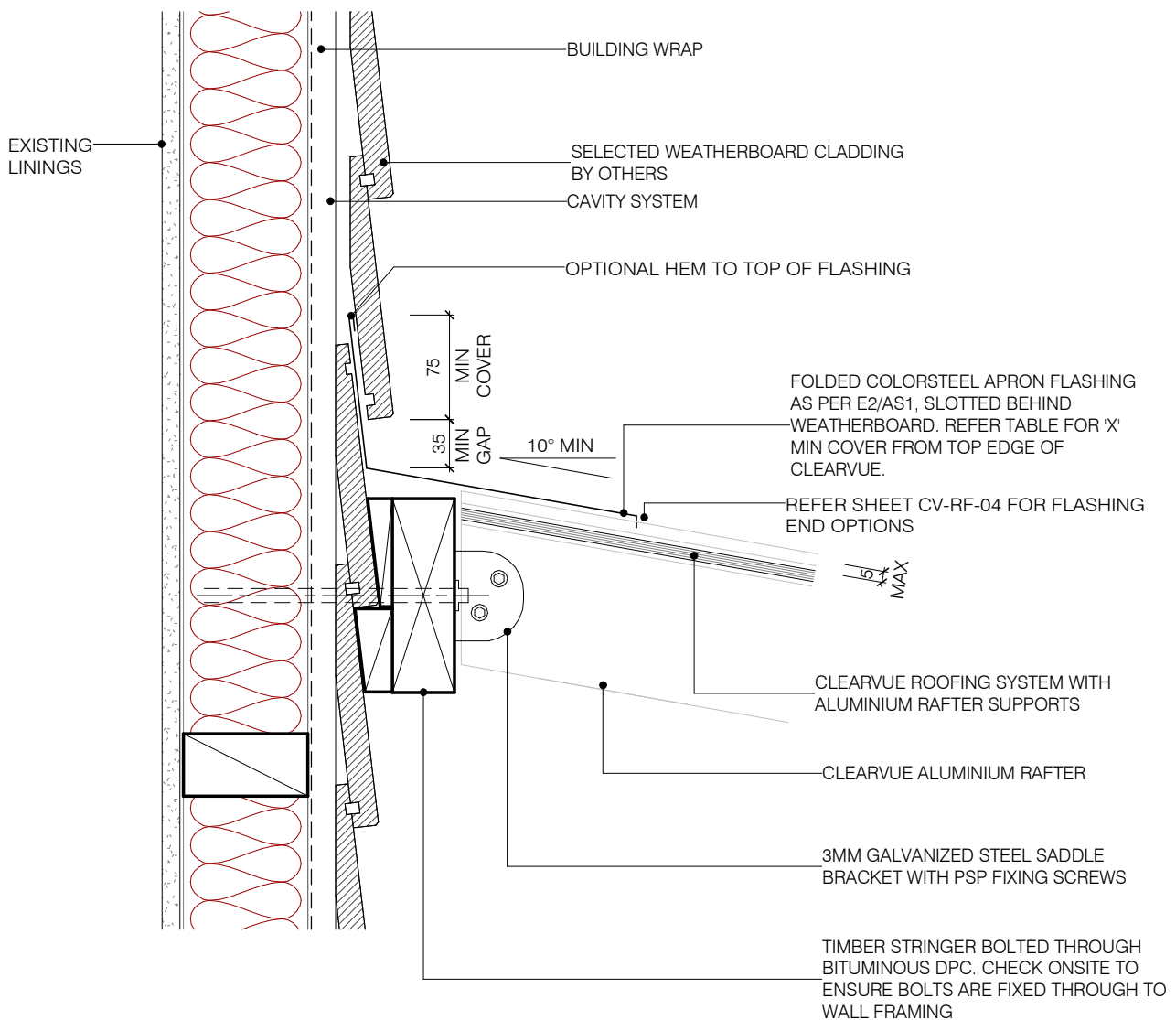
Date: 24/07/13

Dwg: **CV-WB-02**

**FLASHING WIDTH TABLE - "X"mm
(BASED ON TABLE 7, E2/AS1, AUG. 1 2011)**



SITUATION 1:	LOW, MEDIUM OR HIGH WIND ZONES, WHERE ROOF PITCH IS GREATER THAN OR EQUAL TO 10°.		
SITUATION 2:	ALL ROOF PITCHES IN VERY HIGH WIND ZONES. VERY HIGH WIND ZONE WHERE ROOF PITCH IS LESSER THAN OR EQUAL TO 10°.		
SITUATION 3:	ALL ROOF PITCHES IN EXTRA HIGH WIND ZONES.		
	SITUATION 1 (MINIMUM)	SITUATION 2 (MINIMUM)	SITUATION 3 (MINIMUM)
TRANSVERSE FLASHING	130	200	200



NOTE: All dimensions are in millimeters (mm)

**ClearVue
RETROFIT APRON DETAIL - SADDLE BRACKET -
WEATHERBOARD (CAVITY)**



320 Rosedale Road, Albany, Auckland, New Zealand
PO Box 101 851 NSMC, New Zealand
Note: Details may be subject to change without notification

T.09 415 2800
F.09 415 2809
www.psp.co.nz

Ensure all structural supports for ClearVue installation comply with relevant clauses of the NZBC and the New Zealand Building Act.

Scale: 1 : 5 @ A4

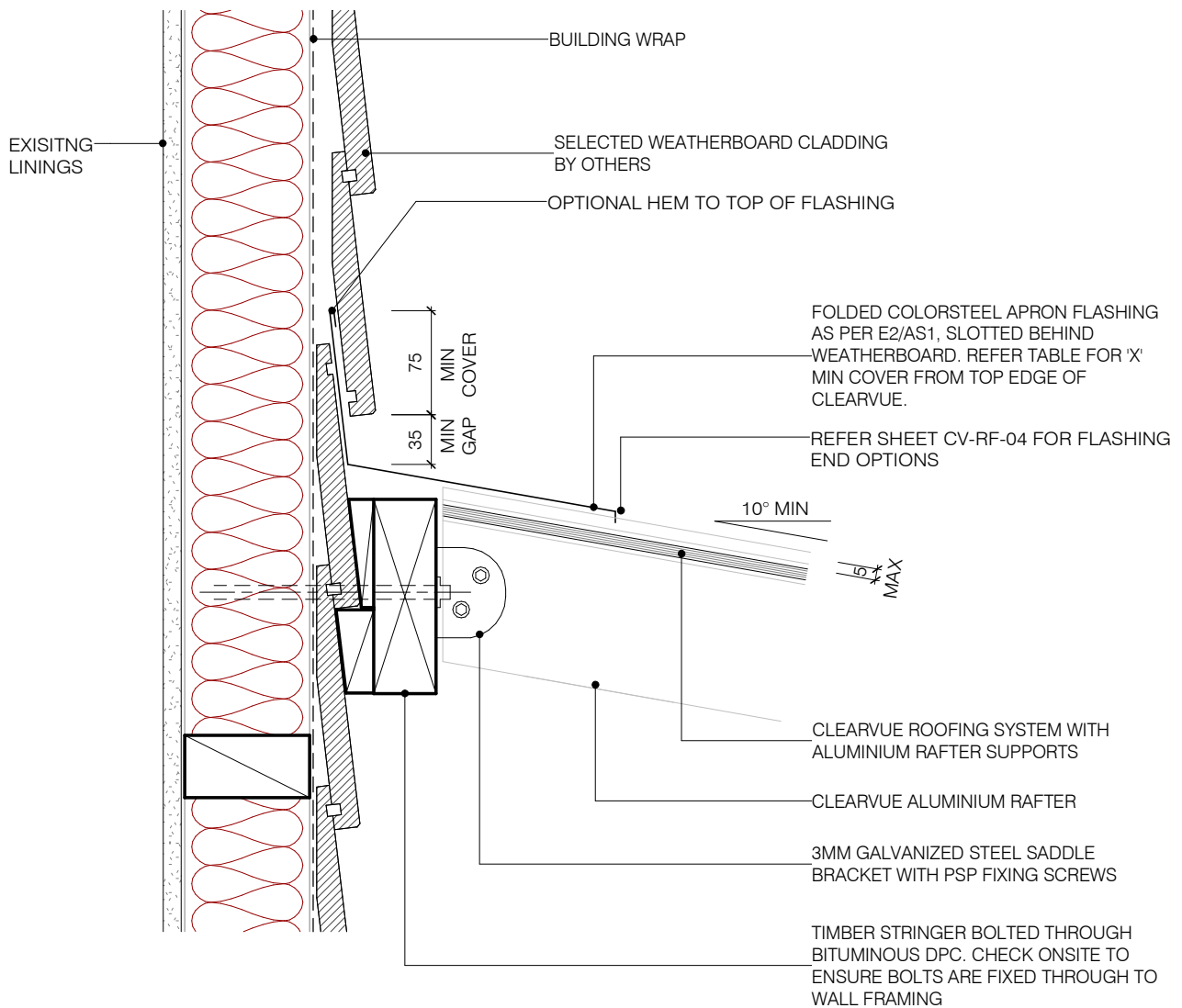
Date: 24/07/13

Dwg: **CV-WB-03**

**FLASHING WIDTH TABLE - "X"mm
(BASED ON TABLE 7, E2/AS1, AUG. 1 2011)**



SITUATION 1:	LOW, MEDIUM OR HIGH WIND ZONES, WHERE ROOF PITCH IS GREATER THAN OR EQUAL TO 10°.		
SITUATION 2:	ALL ROOF PITCHES IN VERY HIGH WIND ZONES. VERY HIGH WIND ZONE WHERE ROOF PITCH IS LESSER THAN OR EQUAL TO 10°.		
SITUATION 3:	ALL ROOF PITCHES IN EXTRA HIGH WIND ZONES.		
	SITUATION 1 (MINIMUM)	SITUATION 2 (MINIMUM)	SITUATION 3 (MINIMUM)
TRANSVERSE FLASHING	130	200	200



NOTE: All dimensions are in millimeters (mm)

**ClearVue
RETROFIT APRON DETAIL - SADDLE BRACKET -
WEATHERBOARD (DIRECT FIX)**



320 Rosedale Road, Albany, Auckland, New Zealand
PO Box 101 851 NSMC, New Zealand
Note: Details may be subject to change without notification

T.09 415 2800
F.09 415 2809
www.psp.co.nz

Ensure all structural supports for ClearVue installation comply with relevant clauses of the NZBC and the New Zealand Building Act.

Scale: 1 : 5 @ A4

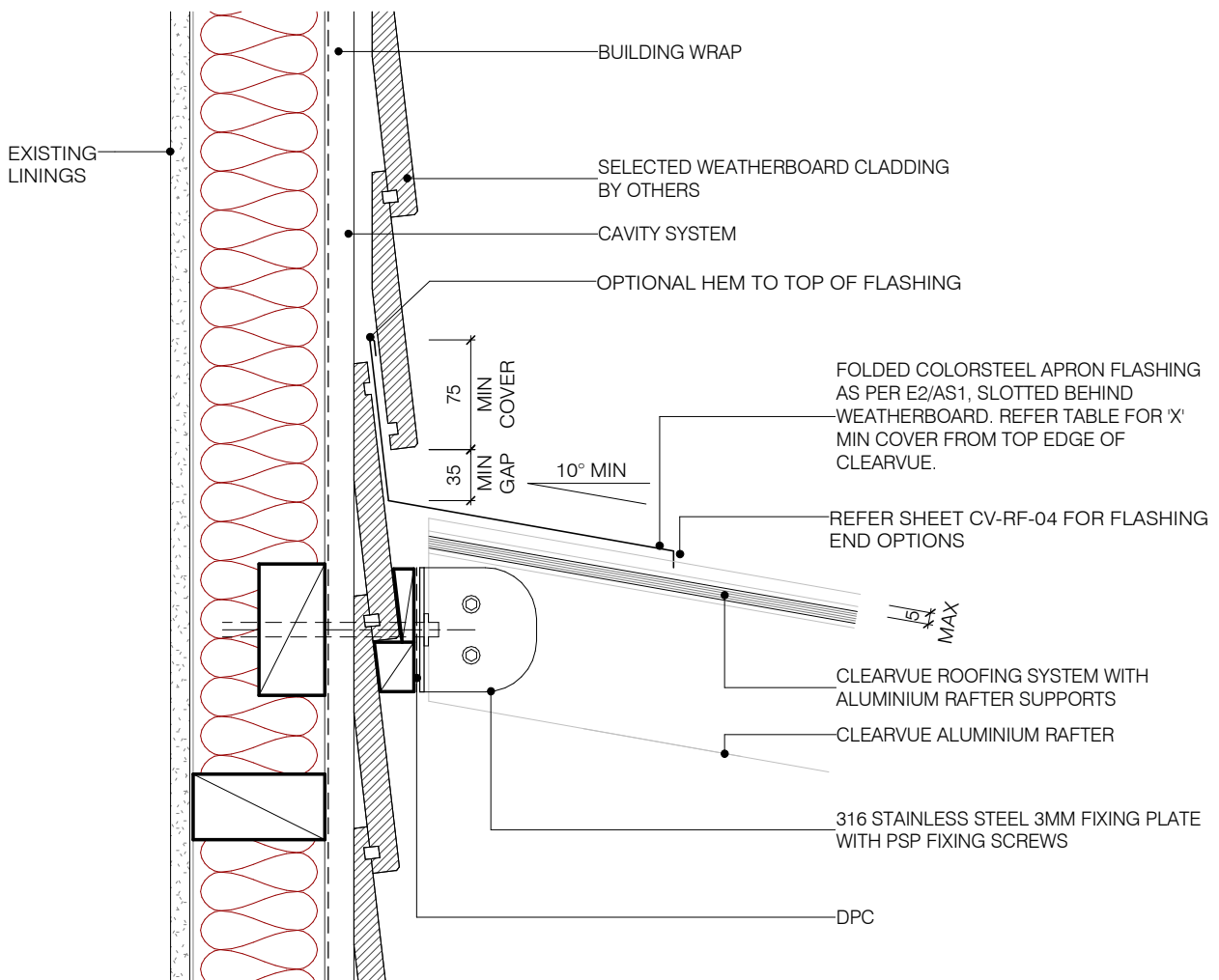
Date: 24/07/13

Dwg: **CV-WB-04**

**FLASHING WIDTH TABLE - "X"mm
(BASED ON TABLE 7, E2/AS1, AUG. 1 2011)**



SITUATION 1:	LOW, MEDIUM OR HIGH WIND ZONES, WHERE ROOF PITCH IS GREATER THAN OR EQUAL TO 10°.		
SITUATION 2:	ALL ROOF PITCHES IN VERY HIGH WIND ZONES. VERY HIGH WIND ZONE WHERE ROOF PITCH IS LESSER THAN OR EQUAL TO 10°.		
SITUATION 3:	ALL ROOF PITCHES IN EXTRA HIGH WIND ZONES.		
	SITUATION 1 (MINIMUM)	SITUATION 2 (MINIMUM)	SITUATION 3 (MINIMUM)
TRANSVERSE FLASHING	130	200	200



NOTE: All dimensions are in millimeters (mm)

**ClearVue
RETROFIT APRON DETAIL - STEEL PLATE -
WEATHERBOARD (CAVITY)**

320 Rosedale Road, Albany, Auckland, New Zealand
PO Box 101 851 NSMC, New Zealand
Note: Details may be subject to change without notification



T.09 415 2800
F.09 415 2809
www.psp.co.nz

Ensure all structural supports for ClearVue installation comply with relevant clauses of the NZBC and the New Zealand Building Act.

Scale: 1 : 5 @ A4

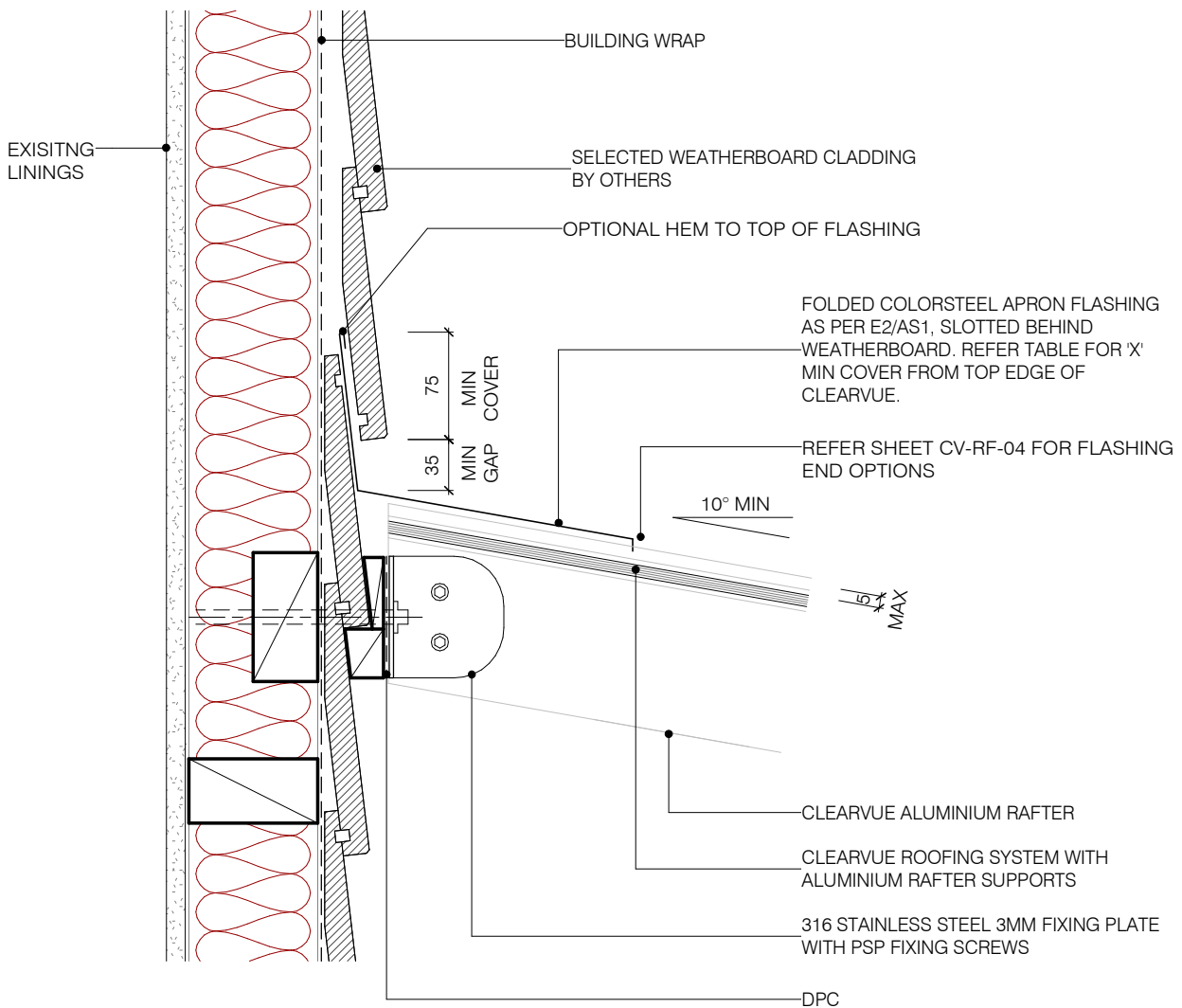
Date: 24/07/13

Dwg: CV-WB-05

**FLASHING WIDTH TABLE - "X"mm
(BASED ON TABLE 7, E2/AS1, AUG. 1 2011)**



SITUATION 1:	LOW, MEDIUM OR HIGH WIND ZONES, WHERE ROOF PITCH IS GREATER THAN OR EQUAL TO 10°.		
SITUATION 2:	ALL ROOF PITCHES IN VERY HIGH WIND ZONES. VERY HIGH WIND ZONE WHERE ROOF PITCH IS LESSER THAN OR EQUAL TO 10°.		
SITUATION 3:	ALL ROOF PITCHES IN EXTRA HIGH WIND ZONES.		
	SITUATION 1 (MINIMUM)	SITUATION 2 (MINIMUM)	SITUATION 3 (MINIMUM)
TRANSVERSE FLASHING	130	200	200



NOTE: All dimensions are in millimeters (mm)

**ClearVue
RETROFIT APRON DETAIL - STEEL PLATE -
WEATHERBOARD (DIRECT FIX)**

320 Rosedale Road, Albany, Auckland, New Zealand
PO Box 101 851 NSMC, New Zealand
Note: Details may be subject to change without notification



T.09 415 2800
F.09 415 2809
www.psp.co.nz

Ensure all structural supports for ClearVue installation comply with relevant clauses of the NZBC and the New Zealand Building Act.

Scale: 1 : 5 @ A4

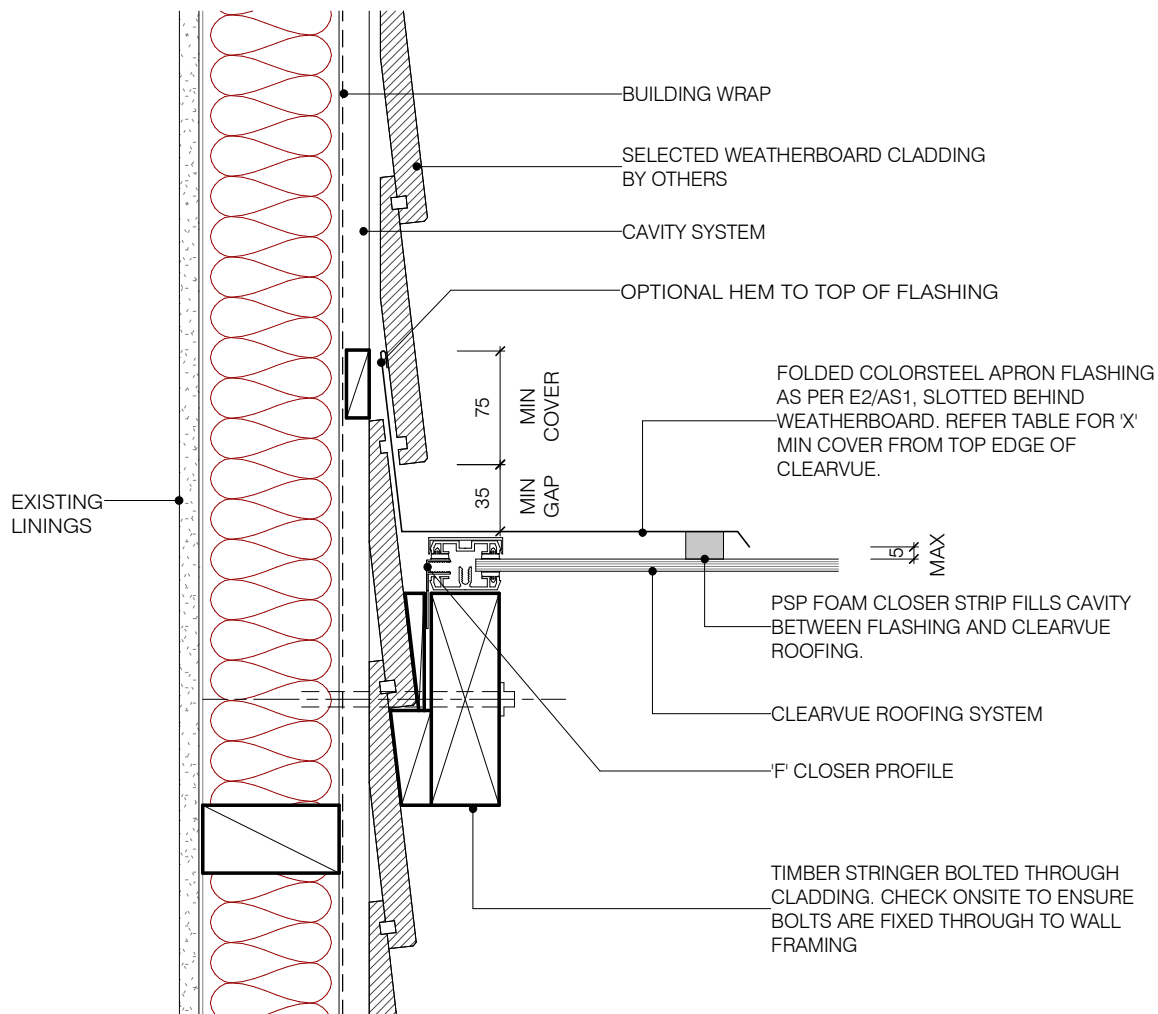
Date: 24/07/13

Dwg: CV-WB-06

**FLASHING WIDTH TABLE - "X"mm
(BASED ON TABLE 7, E2/AS1, AUG. 1 2011)**



SITUATION 1:	LOW, MEDIUM OR HIGH WIND ZONES, WHERE ROOF PITCH IS GREATER THAN OR EQUAL TO 10°.		
SITUATION 2:	ALL ROOF PITCHES IN VERY HIGH WIND ZONES. VERY HIGH WIND ZONE WHERE ROOF PITCH IS LESSER THAN OR EQUAL TO 10°.		
SITUATION 3:	ALL ROOF PITCHES IN EXTRA HIGH WIND ZONES.		
	SITUATION 1 (MINIMUM)	SITUATION 2 (MINIMUM)	SITUATION 3 (MINIMUM)
TRANSVERSE FLASHING	130	200	200



NOTE: All dimensions are in millimeters (mm)

**ClearVue
RETROFIT BARGE DETAIL -
WEATHERBOARD (CAVITY)**

320 Rosedale Road, Albany, Auckland, New Zealand
PO Box 101 851 NSMC, New Zealand
Note: Details may be subject to change without notification



T.09 415 2800
F.09 415 2809
www.psp.co.nz

Ensure all structural supports for ClearVue installation comply with relevant clauses of the NZBC and the New Zealand Building Act.

Scale: 1 : 5 @ A4

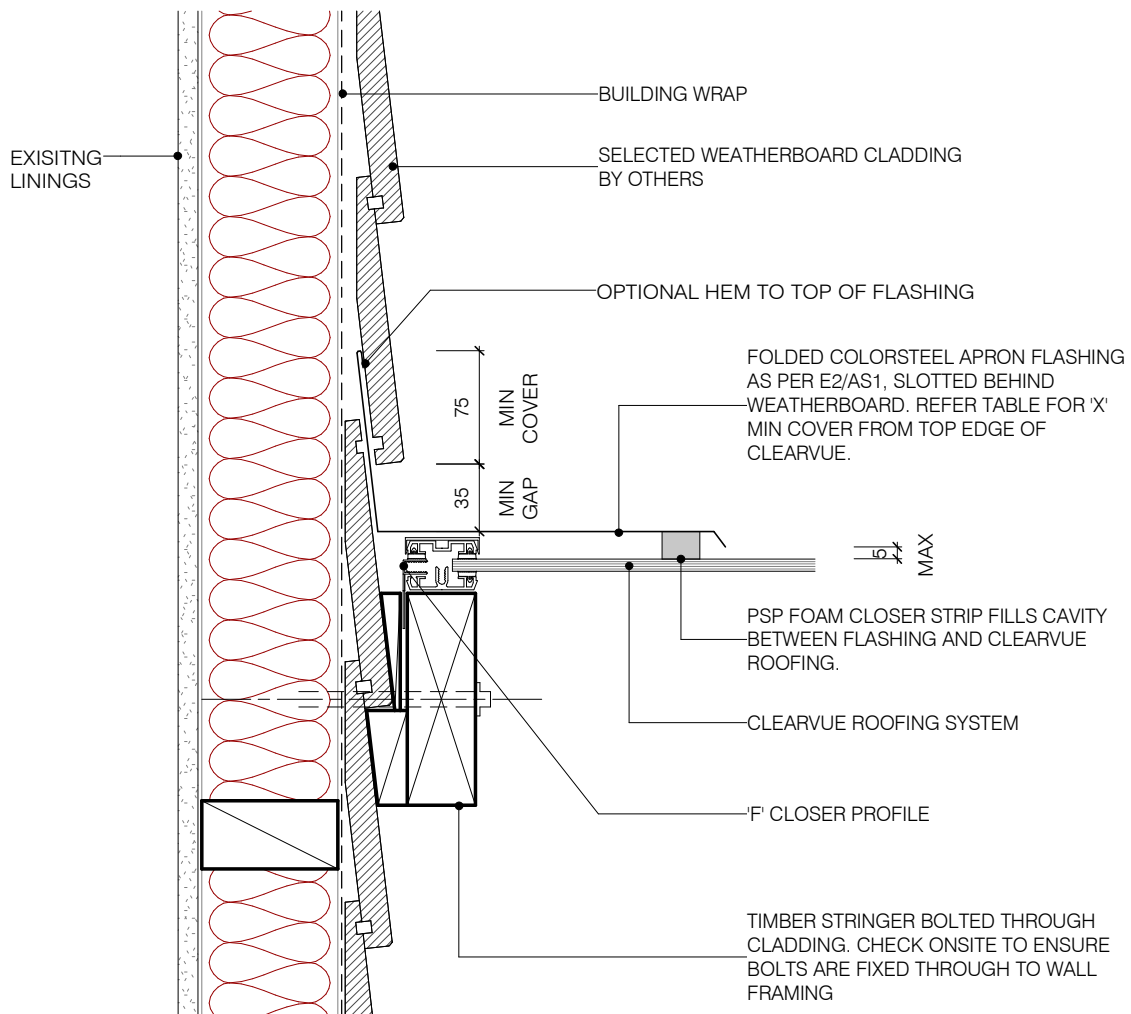
Date: 19/07/12

Dwg: **CV-WB-10**

**FLASHING WIDTH TABLE - "X"mm
(BASED ON TABLE 7, E2/AS1, AUG. 1 2011)**



SITUATION 1:	LOW, MEDIUM OR HIGH WIND ZONES, WHERE ROOF PITCH IS GREATER THAN OR EQUAL TO 10°.		
SITUATION 2:	ALL ROOF PITCHES IN VERY HIGH WIND ZONES. VERY HIGH WIND ZONE WHERE ROOF PITCH IS LESSER THAN OR EQUAL TO 10°.		
SITUATION 3:	ALL ROOF PITCHES IN EXTRA HIGH WIND ZONES.		
	SITUATION 1 (MINIMUM)	SITUATION 2 (MINIMUM)	SITUATION 3 (MINIMUM)
TRANSVERSE FLASHING	130	200	200



NOTE: All dimensions are in millimeters (mm)

**ClearVue
RETROFIT BARGE DETAIL -
WEATHERBOARD (DIRECT FIX)**

320 Rosedale Road, Albany, Auckland, New Zealand
PO Box 101 851 NSMC, New Zealand
Note: Details may be subject to change without notification



T.09 415 2800
F.09 415 2809
www.psp.co.nz

Ensure all structural supports for ClearVue installation comply with relevant clauses of the NZBC and the New Zealand Building Act.

Scale: 1 : 5 @ A4

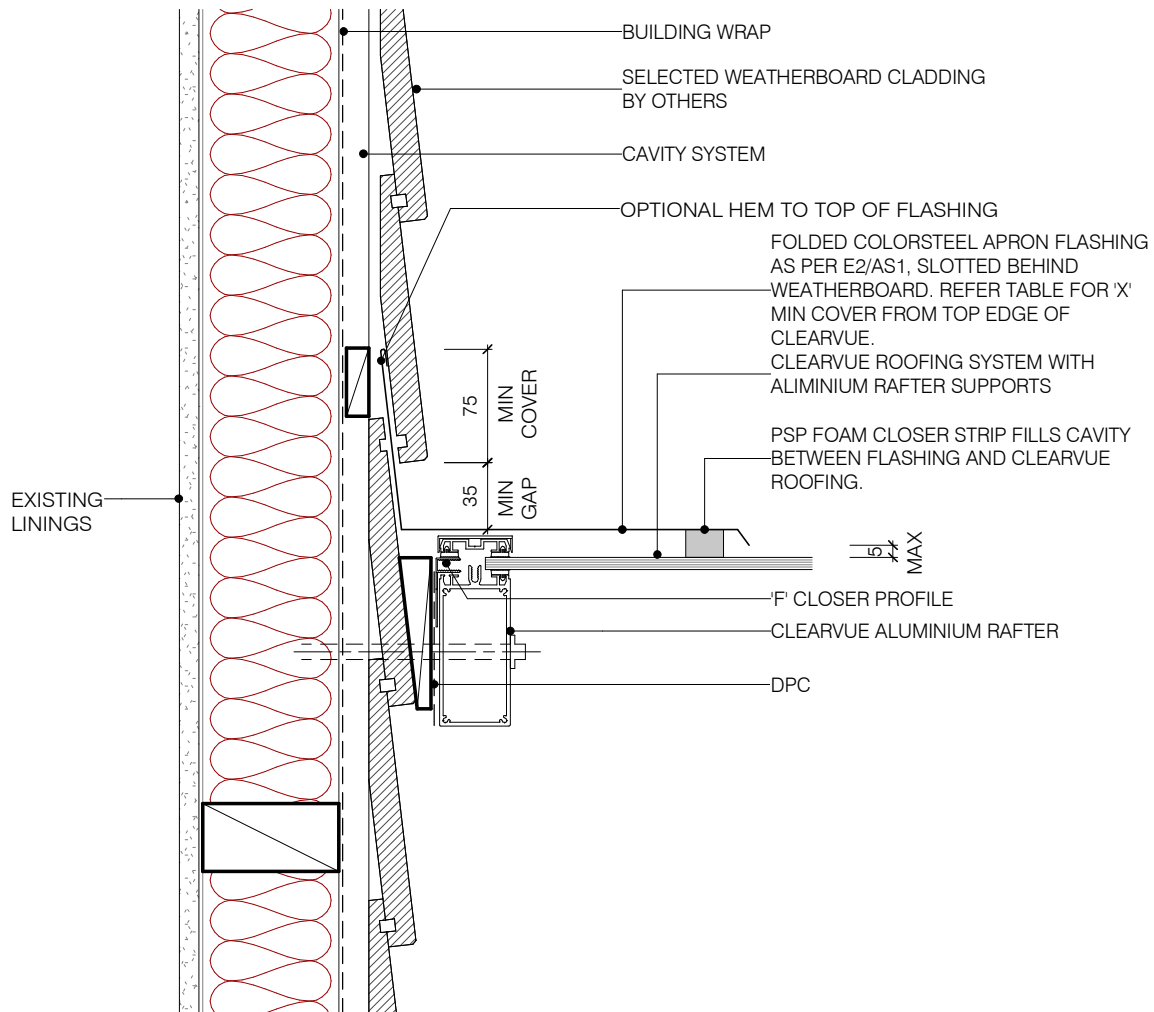
Date: 19/07/12

Dwg: **CV-WB-11**

**FLASHING WIDTH TABLE - "X"mm
(BASED ON TABLE 7, E2/AS1, AUG. 1 2011)**



SITUATION 1:	LOW, MEDIUM OR HIGH WIND ZONES, WHERE ROOF PITCH IS GREATER THAN OR EQUAL TO 10°.		
SITUATION 2:	ALL ROOF PITCHES IN VERY HIGH WIND ZONES. VERY HIGH WIND ZONE WHERE ROOF PITCH IS LESSER THAN OR EQUAL TO 10°.		
SITUATION 3:	ALL ROOF PITCHES IN EXTRA HIGH WIND ZONES.		
	SITUATION 1 (MINIMUM)	SITUATION 2 (MINIMUM)	SITUATION 3 (MINIMUM)
TRANSVERSE FLASHING	130	200	200



NOTE: All dimensions are in millimeters (mm)

**ClearVue
RETROFIT BARGE DETAIL - WITH ALUMINIUM
RAFTER WEATHERBOARD (CAVITY)**

320 Rosedale Road, Albany, Auckland, New Zealand
PO Box 101 851 NSMC, New Zealand
Note: Details may be subject to change without notification



T.09 415 2800
F.09 415 2809
www.psp.co.nz

Ensure all structural supports for ClearVue installation comply with relevant clauses of the NZBC and the New Zealand Building Act.

Scale: 1 : 5 @ A4

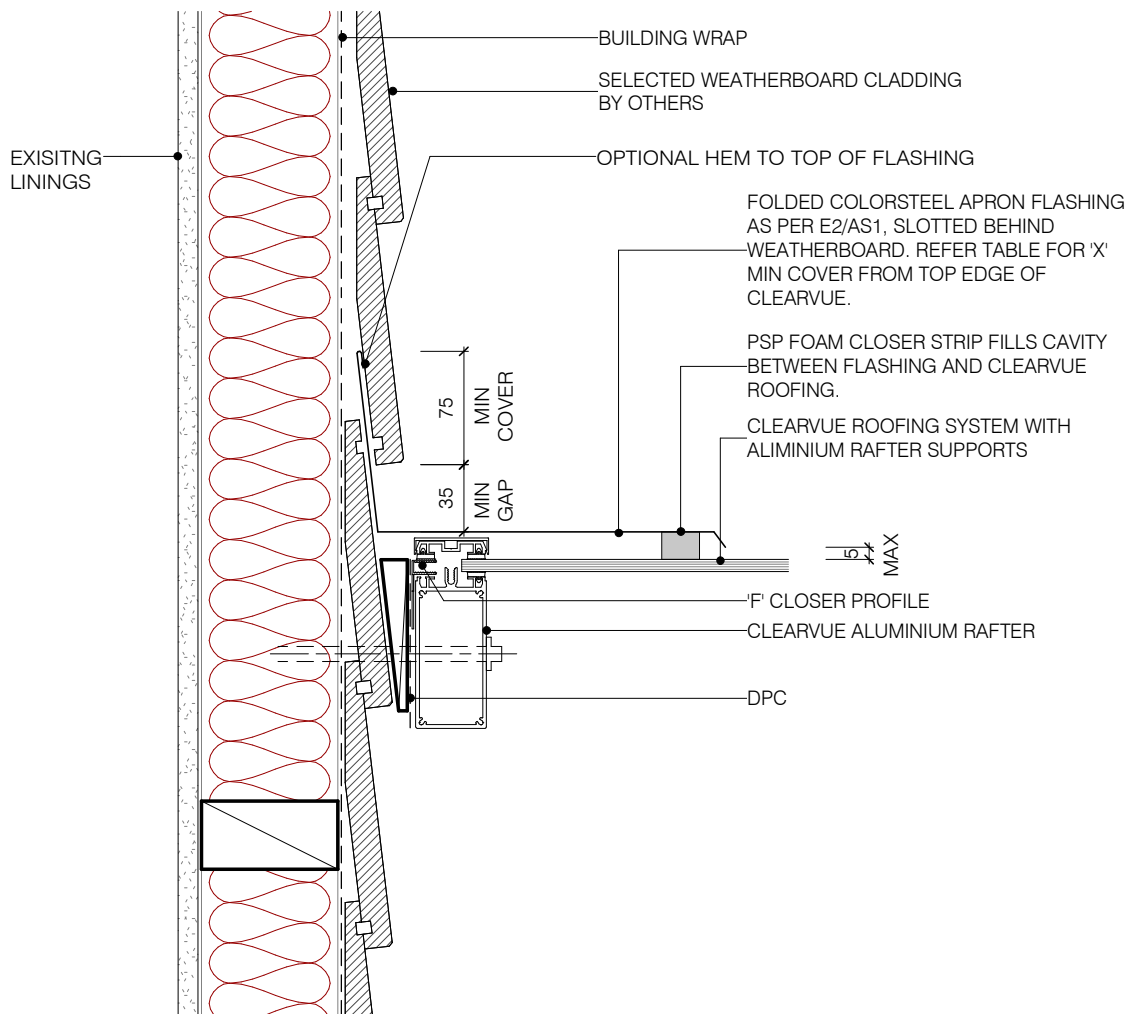
Date: 24/07/13

Dwg: **CV-WB-12**

**FLASHING WIDTH TABLE - "X"mm
(BASED ON TABLE 7, E2/AS1, AUG. 1 2011)**



SITUATION 1:	LOW, MEDIUM OR HIGH WIND ZONES, WHERE ROOF PITCH IS GREATER THAN OR EQUAL TO 10°.		
SITUATION 2:	ALL ROOF PITCHES IN VERY HIGH WIND ZONES. VERY HIGH WIND ZONE WHERE ROOF PITCH IS LESSER THAN OR EQUAL TO 10°.		
SITUATION 3:	ALL ROOF PITCHES IN EXTRA HIGH WIND ZONES.		
	SITUATION 1 (MINIMUM)	SITUATION 2 (MINIMUM)	SITUATION 3 (MINIMUM)
TRANSVERSE FLASHING	130	200	200



NOTE: All dimensions are in millimeters (mm)

**ClearVue
RETROFIT BARGE DETAIL - WITH ALUMINIUM
RAFTER WEATHERBOARD (DIRECT FIX)**

320 Rosedale Road, Albany, Auckland, New Zealand
PO Box 101 851 NSMC, New Zealand
Note: Details may be subject to change without notification



T.09 415 2800
F.09 415 2809
www.psp.co.nz

Ensure all structural supports for ClearVue installation comply with relevant clauses of the NZBC and the New Zealand Building Act.

Scale: 1 : 5 @ A4

Date: 24/07/13

Dwg: **CV-WB-13**