

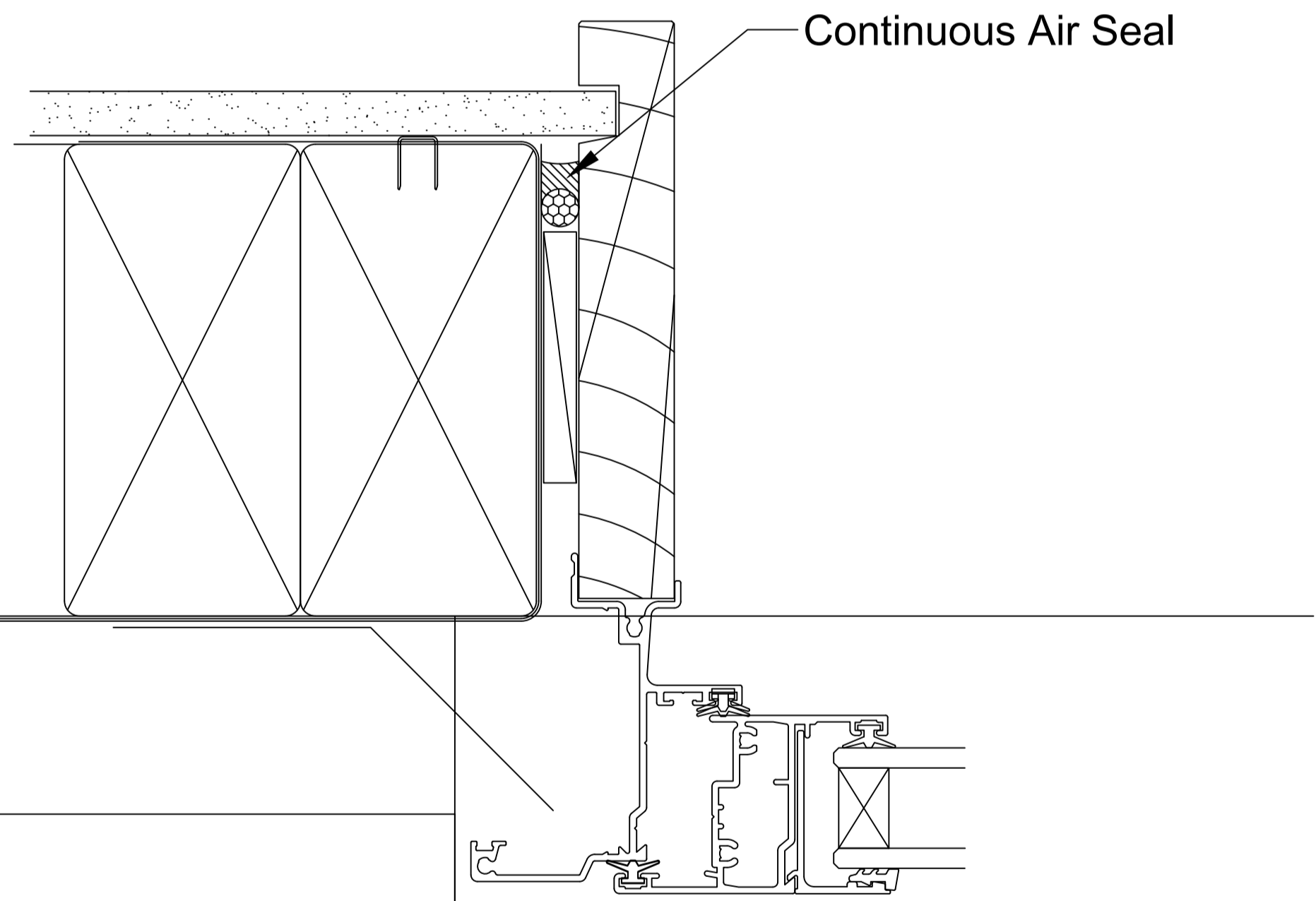
Brick Veneer

Head seal  
For Very High  
Wind Zone

Head Detail

Continuous Air Seal

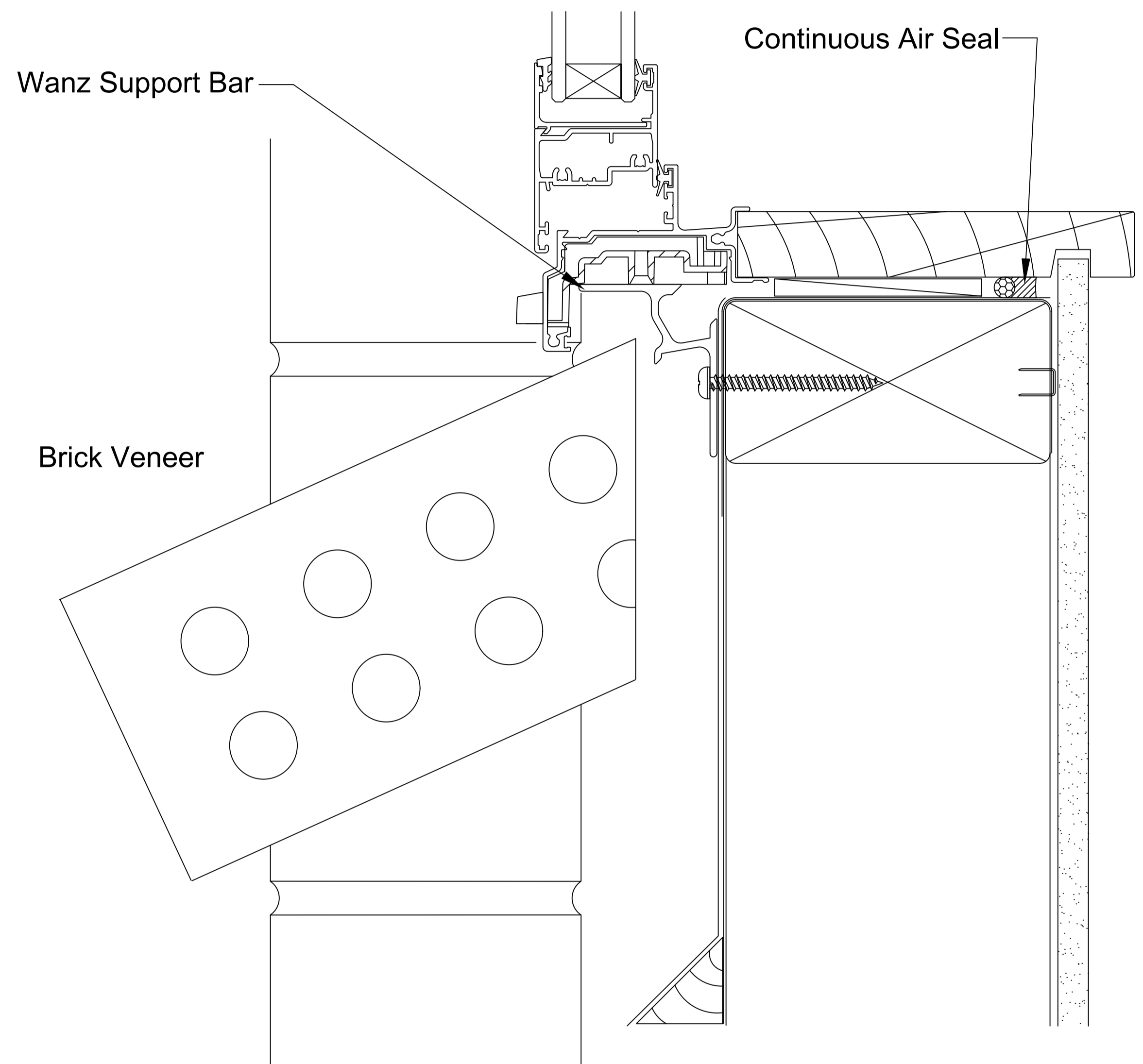
Note:  
Avoid mortar contact with Aluminum  
Joinery, if contact is made wash off  
with water straight away



Jamb Detail

Brick Veneer

Line of Sill Flashing



Wanz Support Bar

Continuous Air Seal

Brick Veneer

Sill Detail

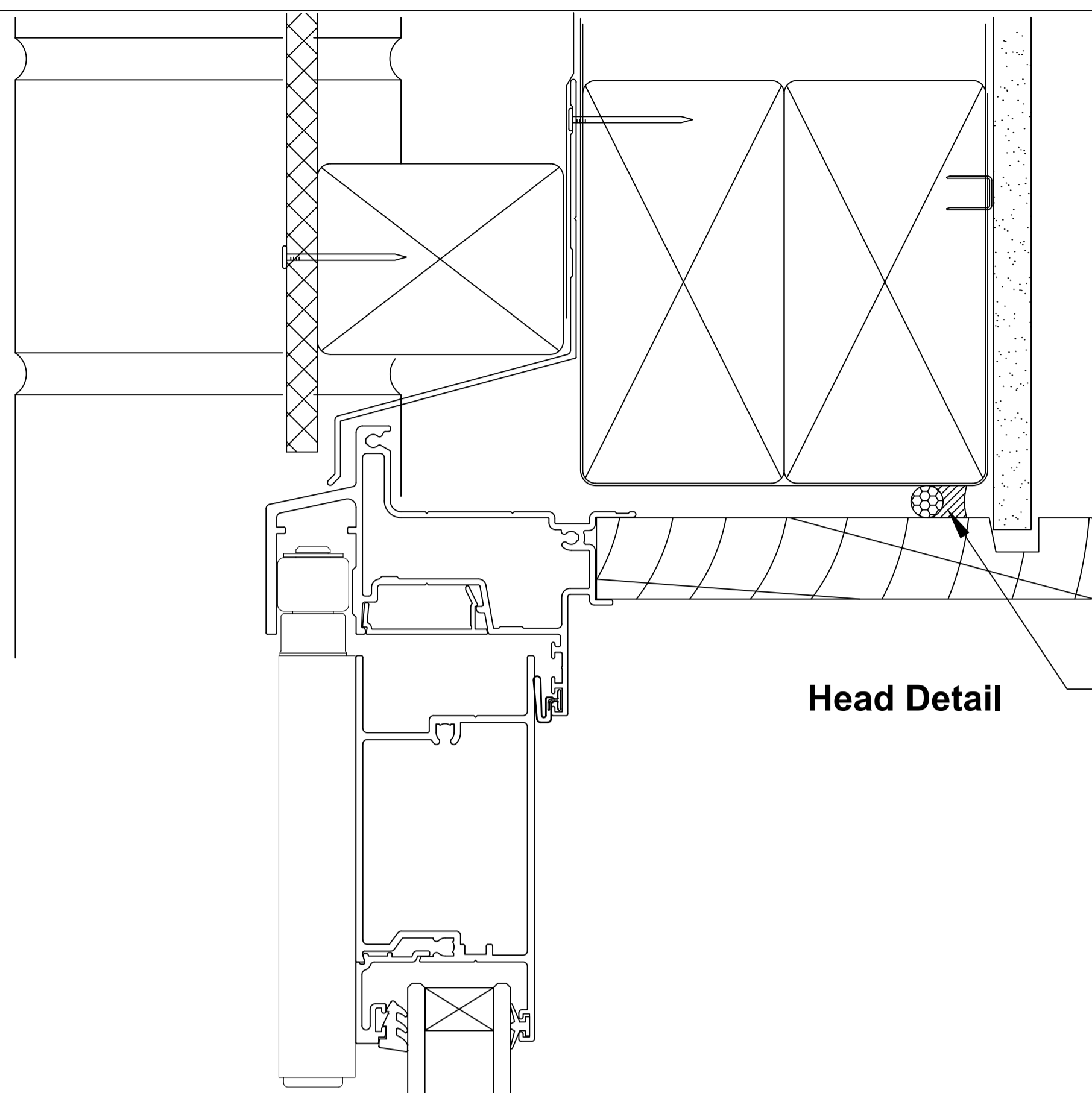
Note 2:

Avoid mortar contact with Aluminum Joinery, if contact is made wash off with warm soapy water immediately, no abrasive contact or solvents to be used.

Note 1:

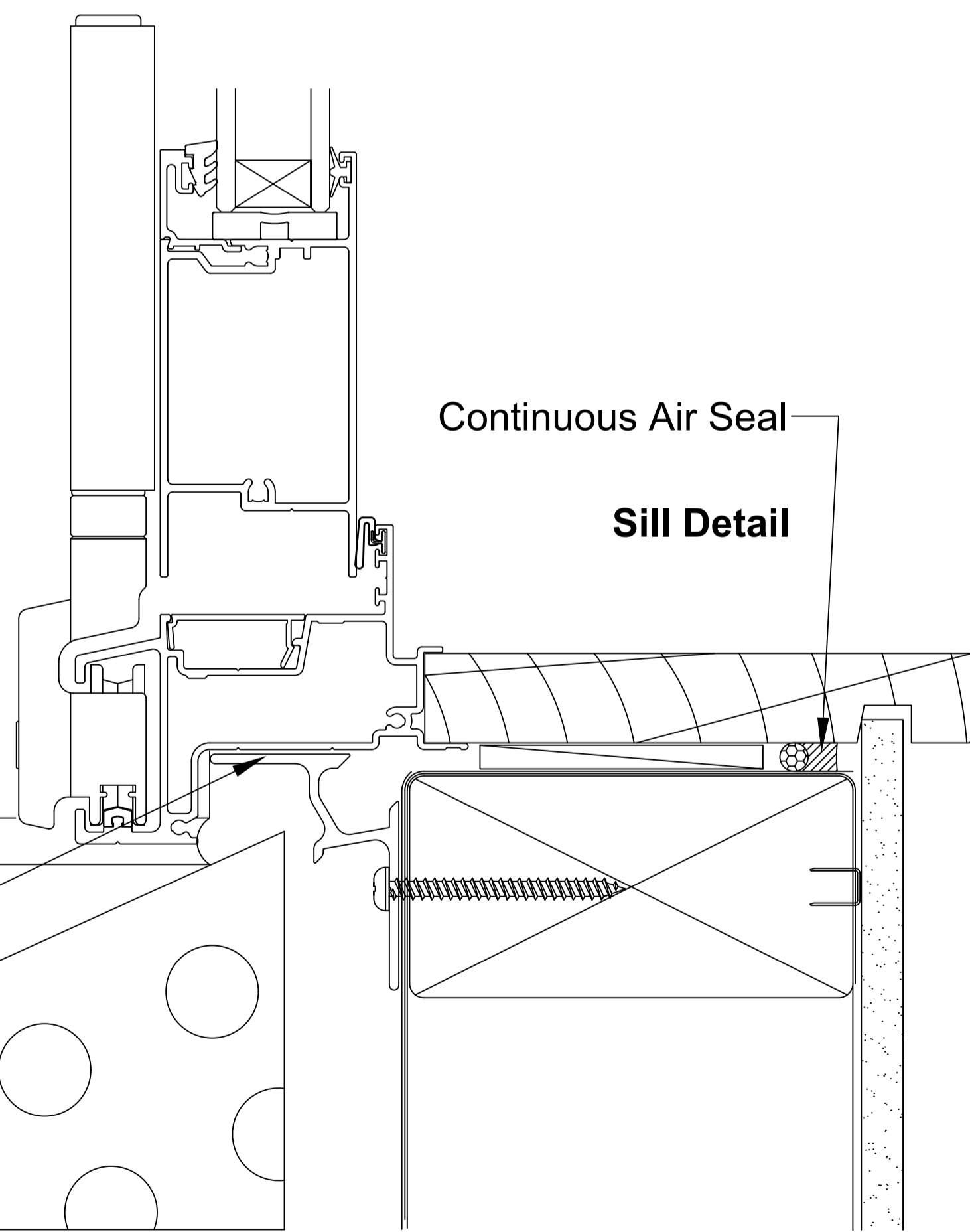
Sill support bar may be up to 100mm short of the Trim Opening at either end. It is recommended that the bar is installed the full Width of the opening to ensure it picks up the window or door frame support blocks.

Brick Veneer



Head Detail Continuous Air Seal

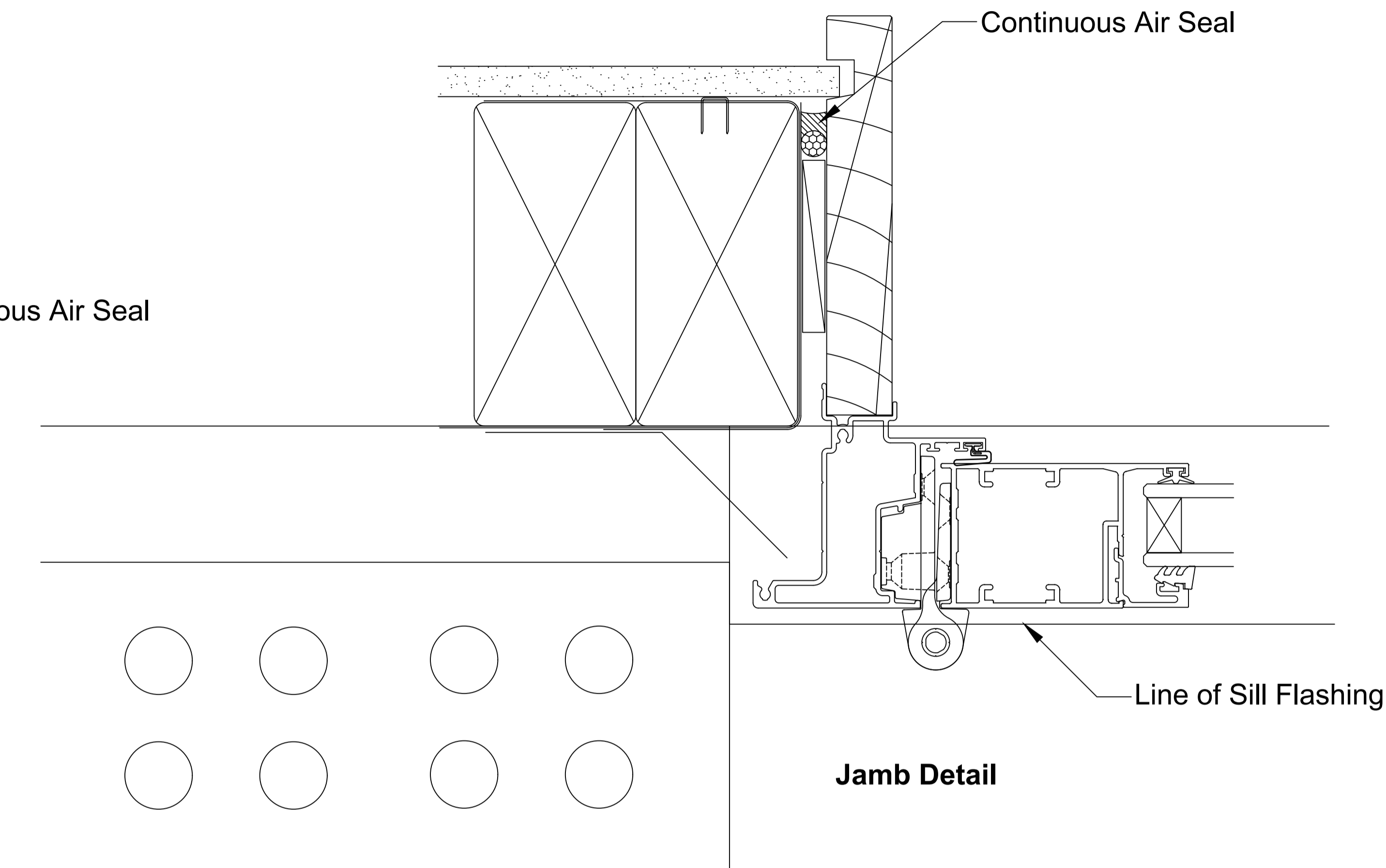
Note:  
Avoid mortar contact with Aluminum Joinery, if contact is made wash off with water straight away



Continuous Air Seal  
Sill Detail

Brick Veneer

Wanz Support Bar



Continuous Air Seal

Line of Sill Flashing

Jamb Detail

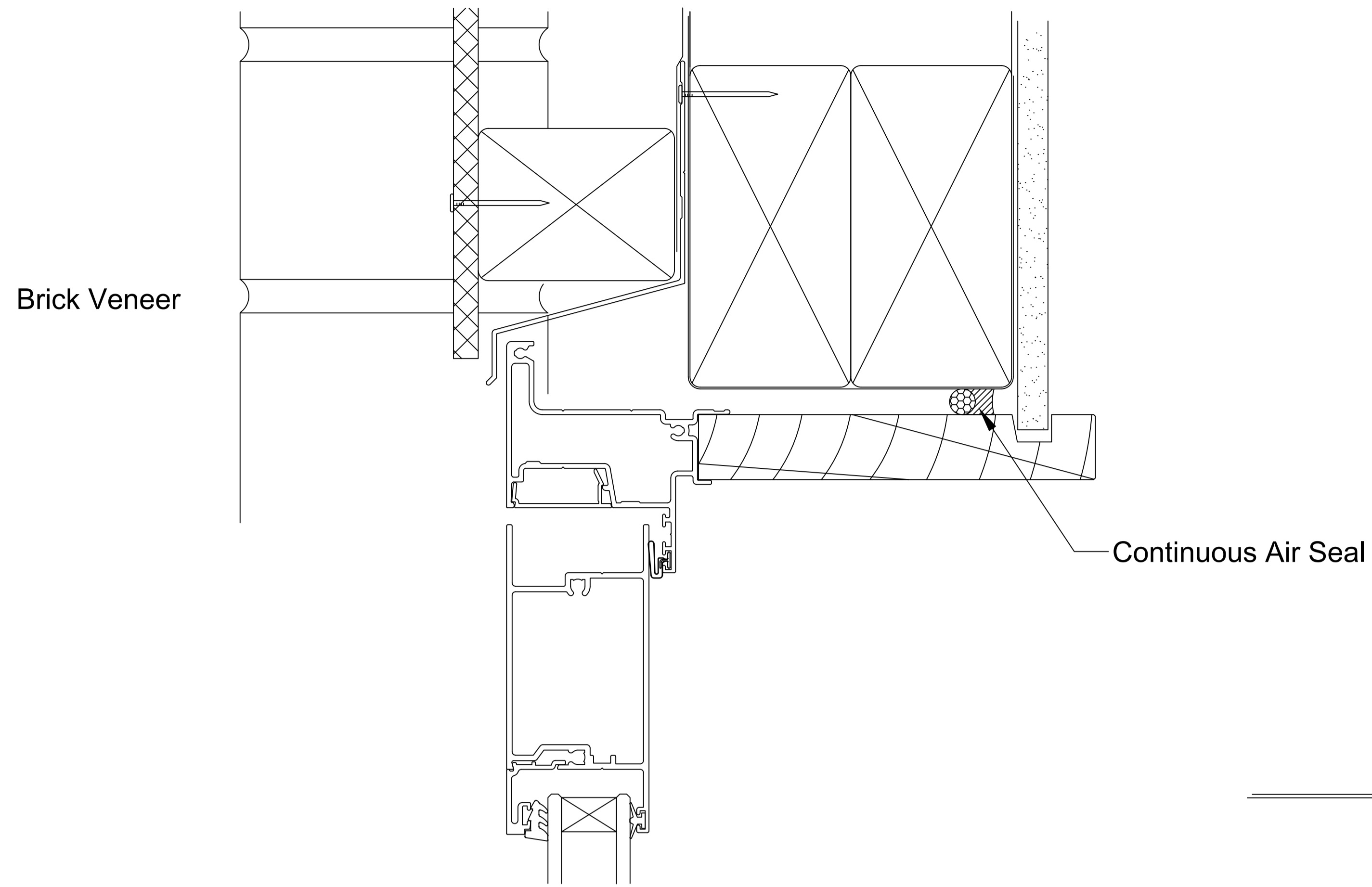
Brick Veneer

Note 2:

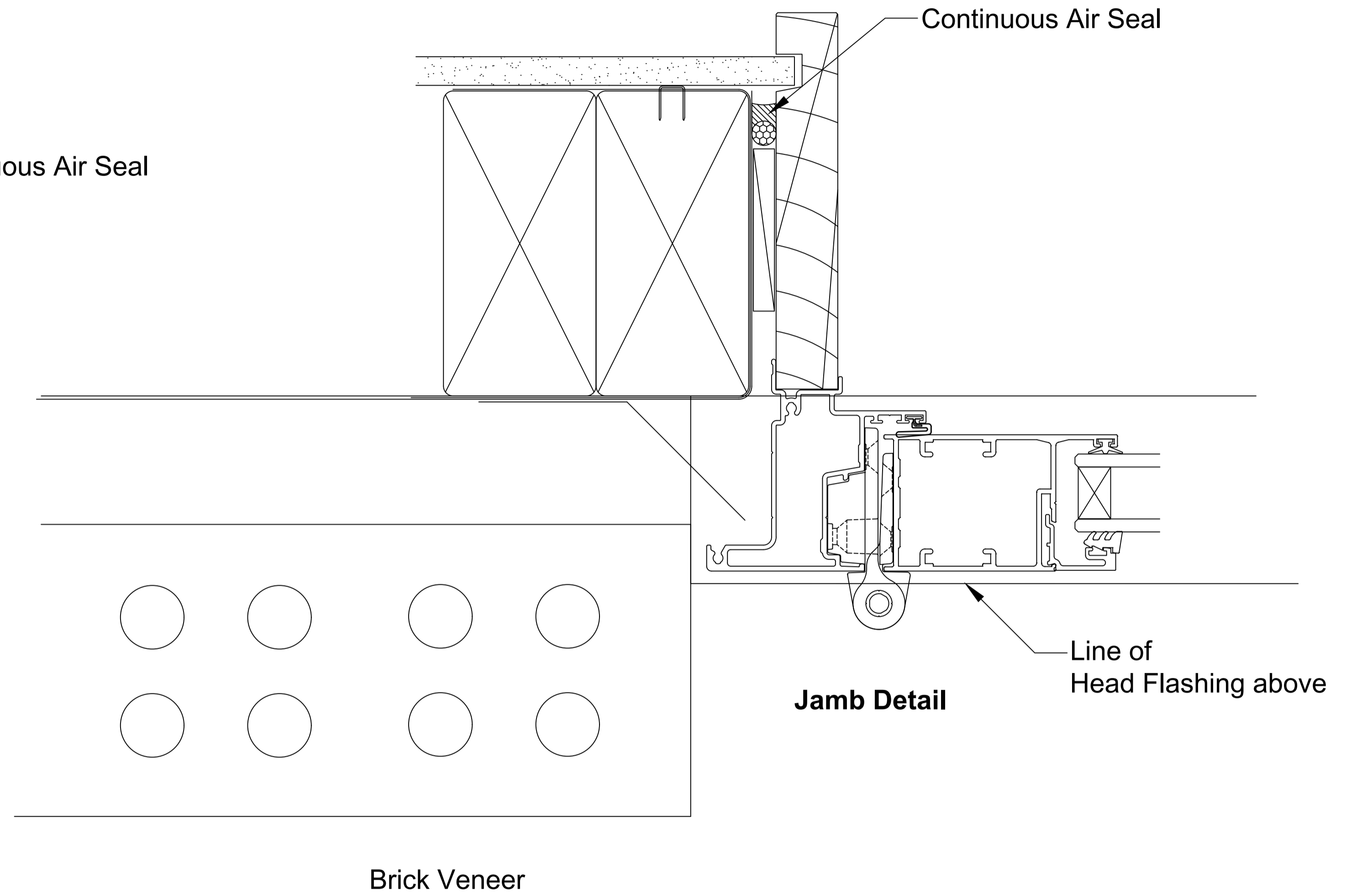
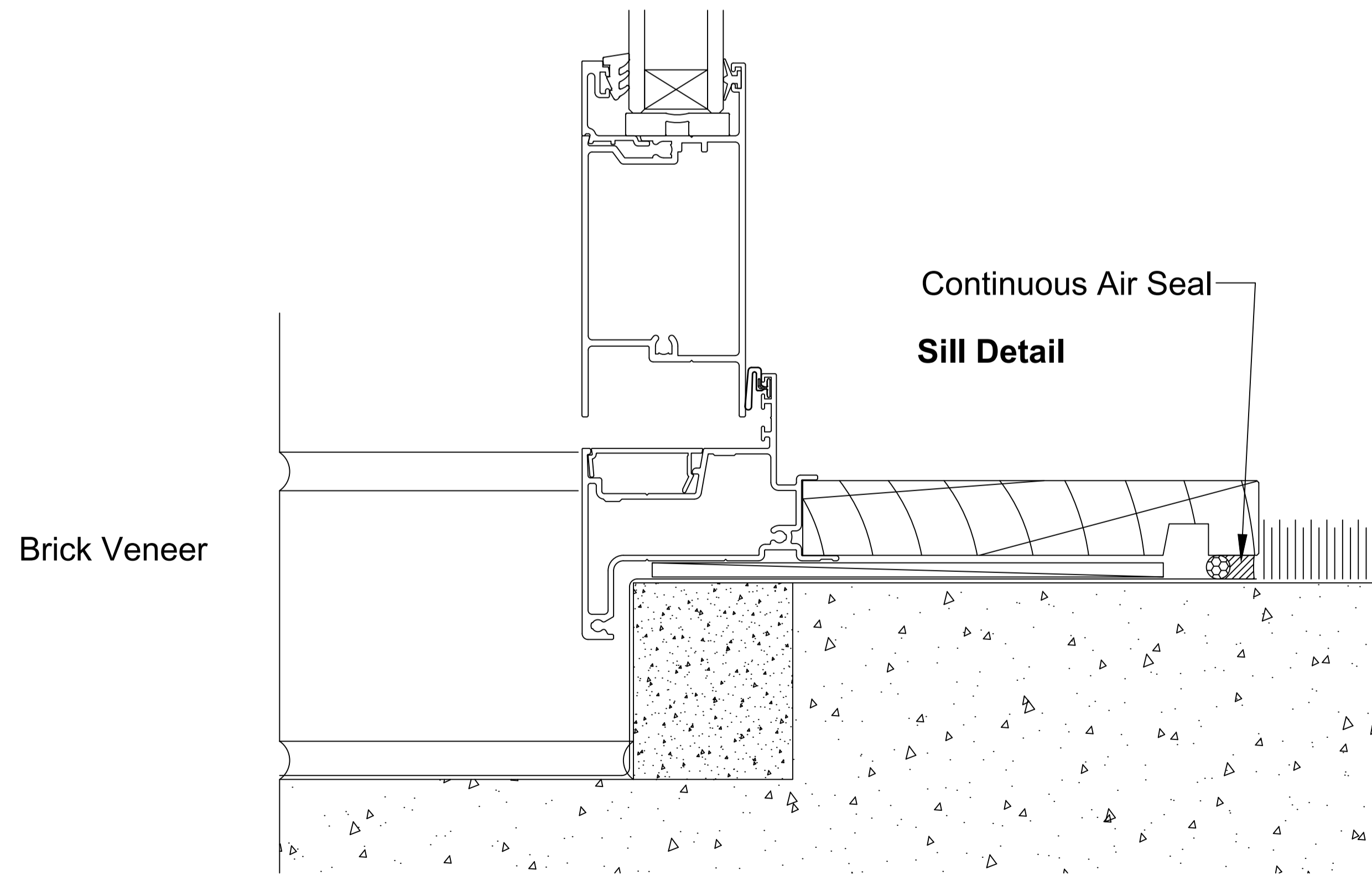
Avoid mortar contact with Aluminum Joinery, if contact is made wash off with warm soapy water immediately, no abrasive contact or solvents to be used.

Note:

Sill support bar may be up to 100mm short of the Trim Opening at either end. It is recommended that the bar is installed the full Width of the opening to ensure it picks up the window or door frame support blocks.



Note:  
Avoid mortar contact with Aluminum Joinery, if contact is made wash off with water straight away



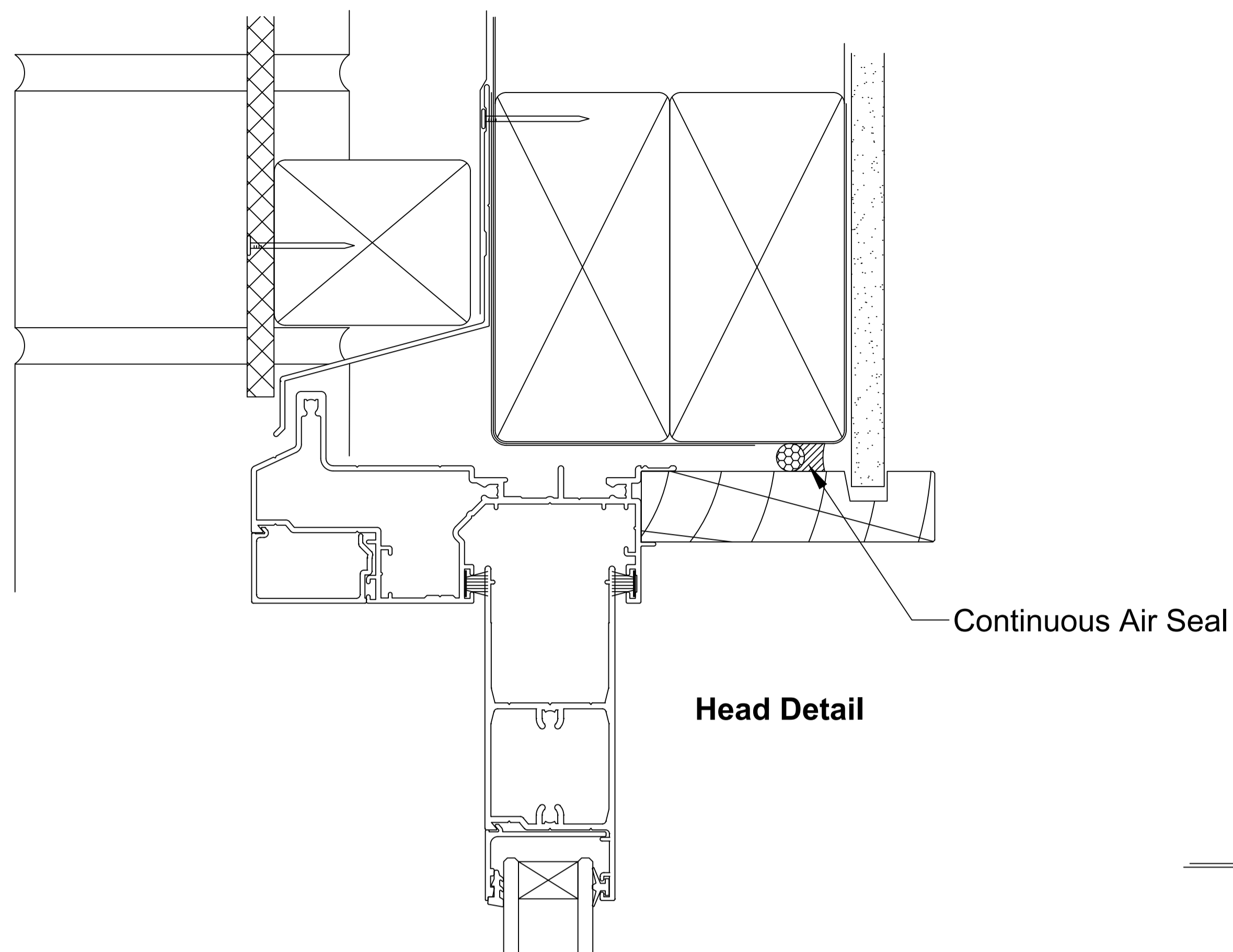
**Note 2:**

Avoid mortar contact with Aluminum Joinery, if contact is made wash off with warm soapy water immediately, no abrasive contact or solvents to be used.

**Note:**

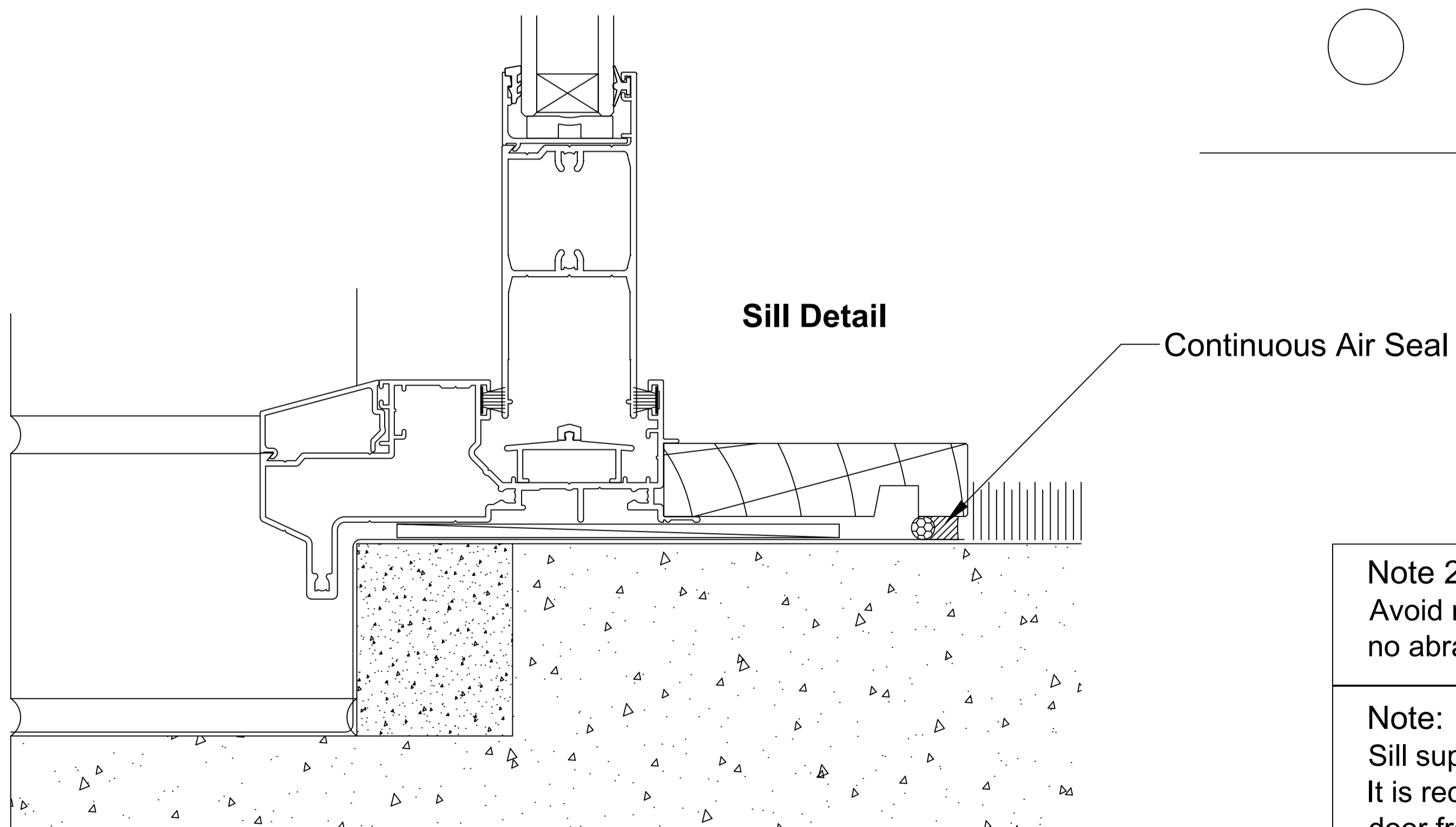
Sill support bar may be up to 100mm short of the Trim Opening at either end. It is recommended that the bar is installed the full Width of the opening to ensure it picks up the window or door frame support blocks.

Brick Veneer

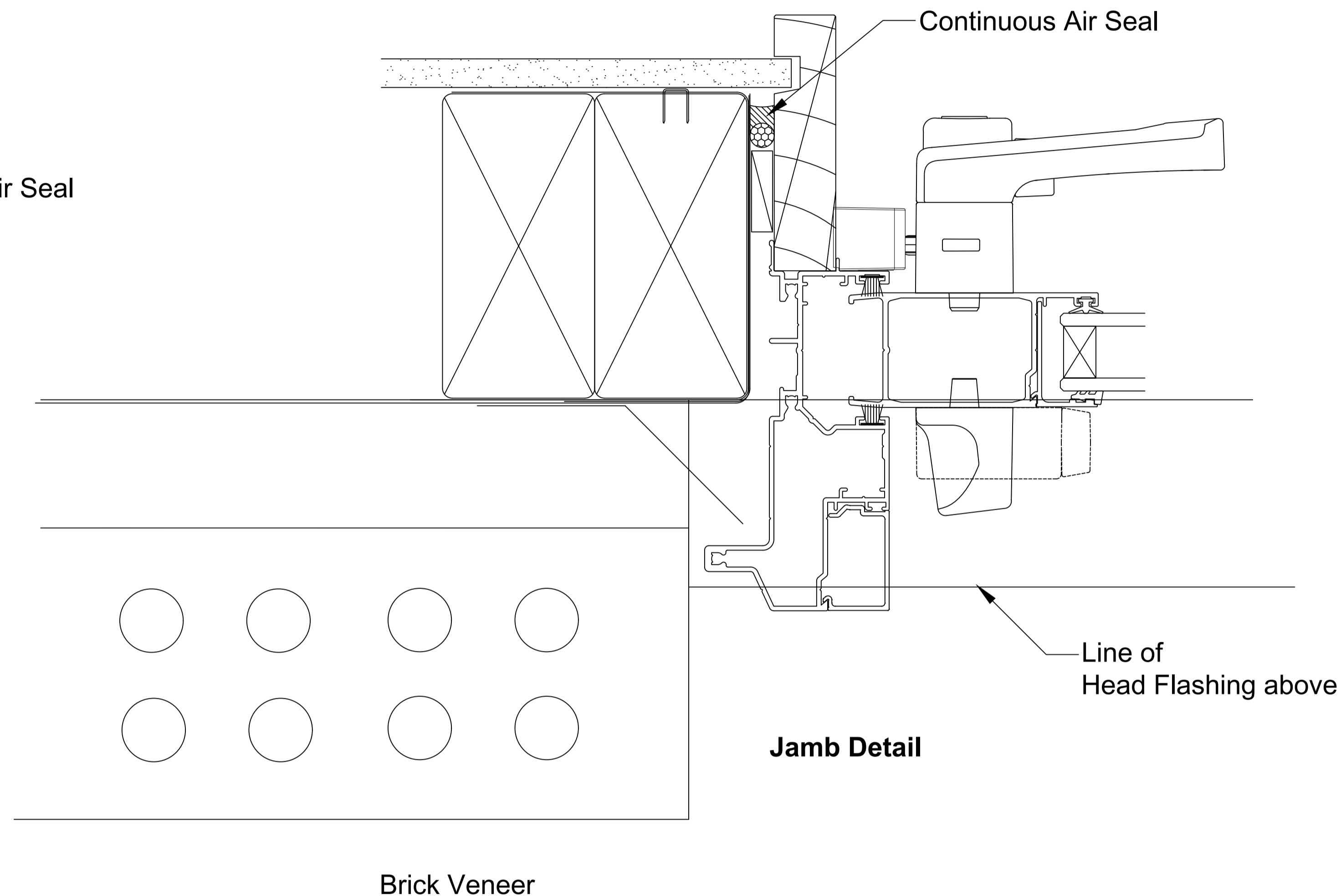


Note:  
 Avoid mortar contact with Aluminum Joinery, if contact is made wash off with water straight away

Brick Veneer



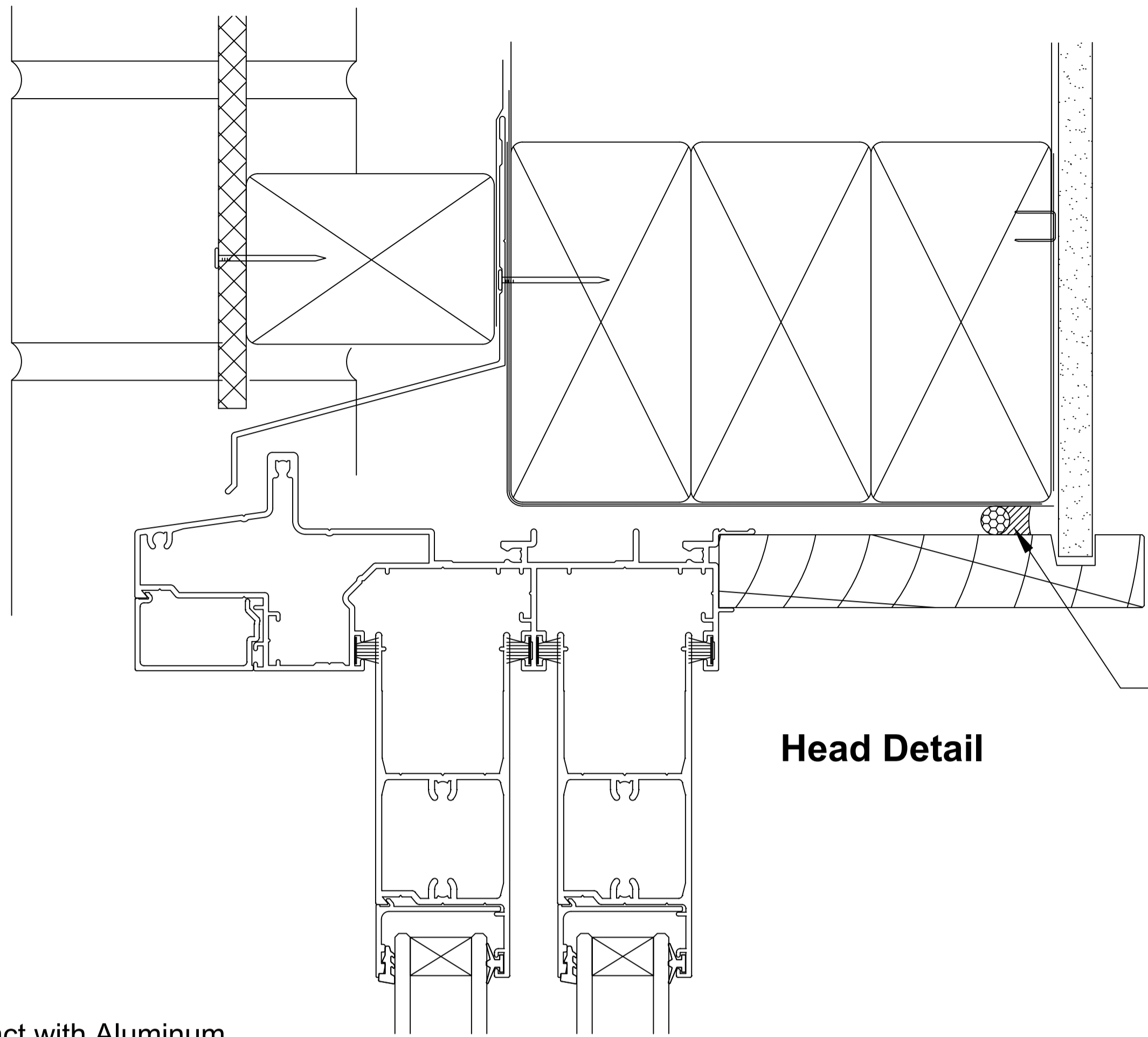
Continuous Air Seal



Note 2:  
 Avoid mortar contact with Aluminum Joinery, if contact is made wash off with warm soapy water immediately, no abrasive contact or solvents to be used.

Note:  
 Sill support bar may be up to 100mm short of the Trim Opening at either end. It is recommended that the bar is installed the full Width of the opening to ensure it picks up the window or door frame support blocks.

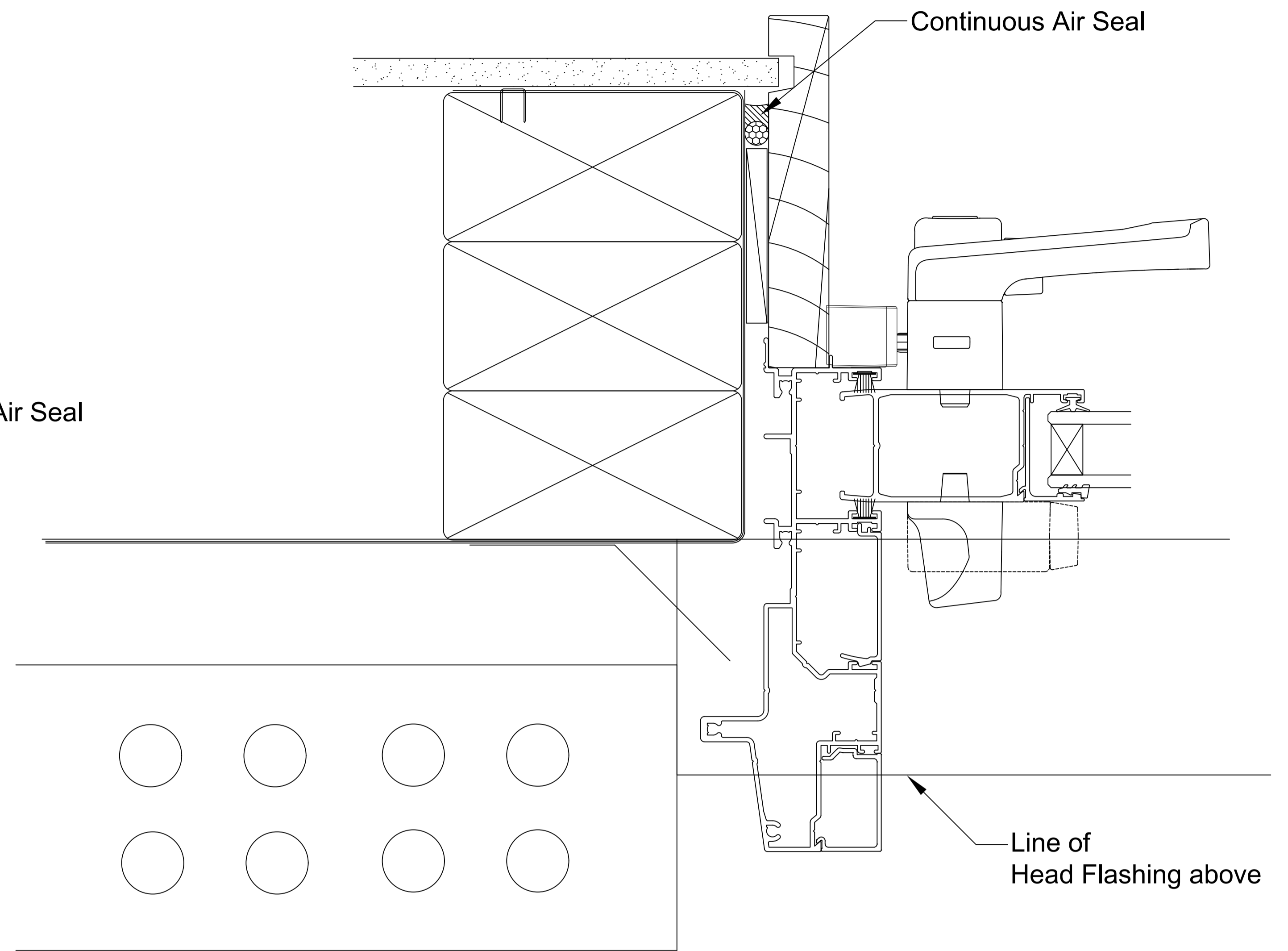
Brick Veneer



Head Detail

Continuous Air Seal

Note:  
Avoid mortar contact with Aluminum Joinery, if contact is made wash off with water straight away

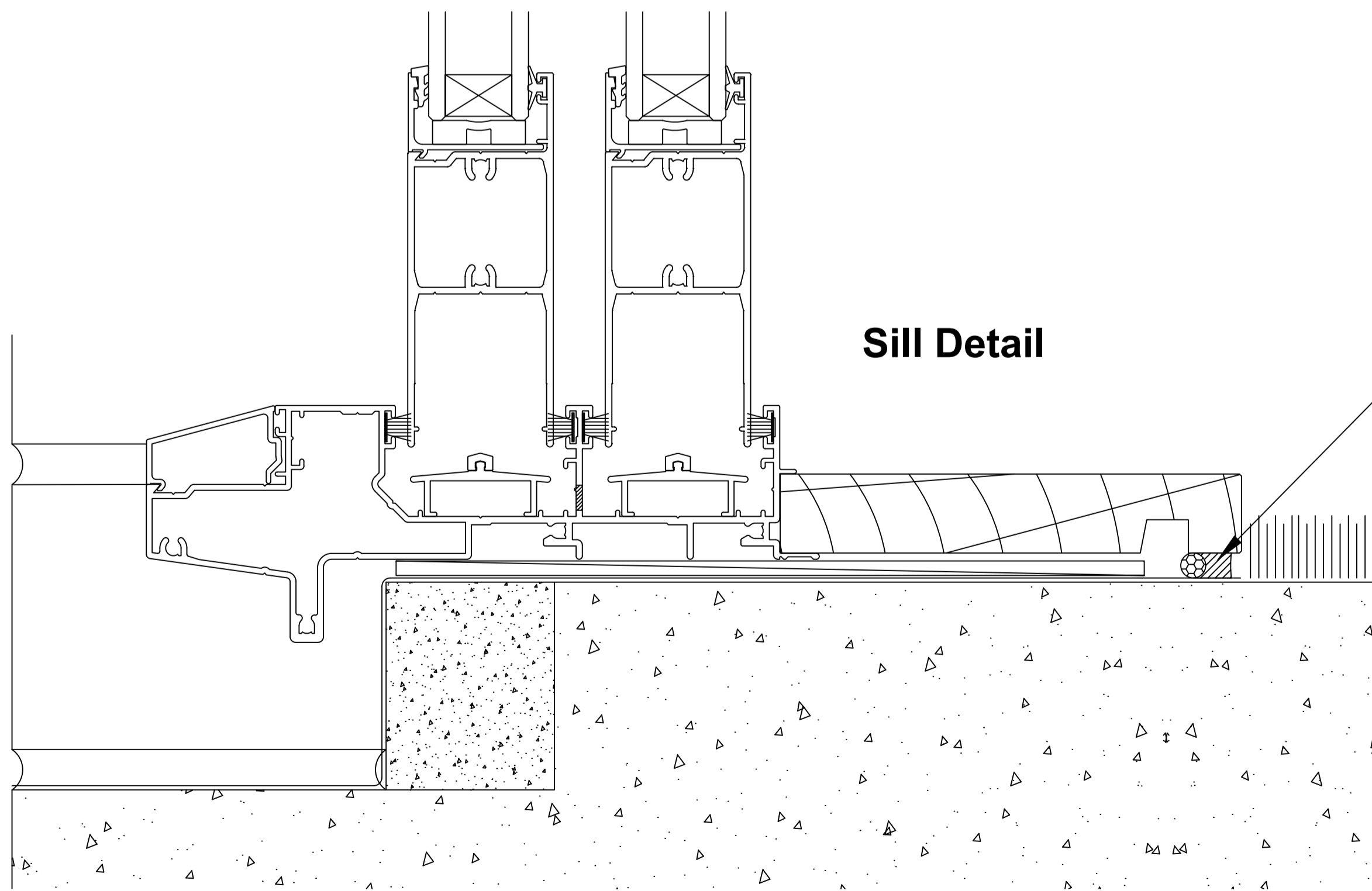


Jamb Detail

Line of Head Flashing above

Brick Veneer

Brick Veneer



Sill Detail

Continuous Air Seal

Note 2:

Avoid mortar contact with Aluminum Joinery, if contact is made wash off with warm soapy water immediately, no abrasive contact or solvents to be used.

Note:

Sill support bar may be up to 100mm short of the Trim Opening at either end. It is recommended that the bar is installed the full Width of the opening to ensure it picks up the window or door frame support blocks.

Brick Veneer

Head Detail

Continuous Air Seal

Continuous Air Seal

Note:  
Avoid mortar contact with Aluminum Joinery, if contact is made wash off with water straight away

Line of Head Flashing above

Jamb Detail

Brick Veneer

Continuous Air Seal

Brick Veneer

WANZ Support Bar

Sill Detail

Note 2:  
Avoid mortar contact with Aluminum Joinery, if contact is made wash off with warm soapy water immediately, no abrasive contact or solvents to be used.

Note:  
Sill support bar may be up to 100mm short of the Trim Opening at either end. It is recommended that the bar is installed the full Width of the opening to ensure it picks up the window or door frame support blocks.