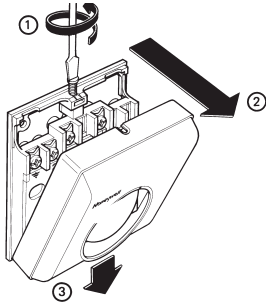


Model: Ultecon Thermostat UT-M1

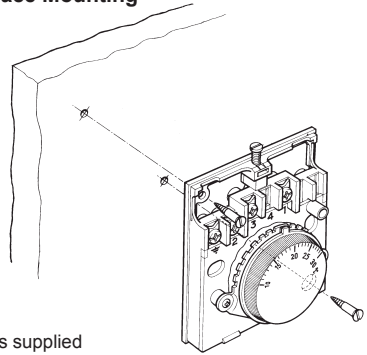
Order Code: FAN5856

1 - Cover Removal

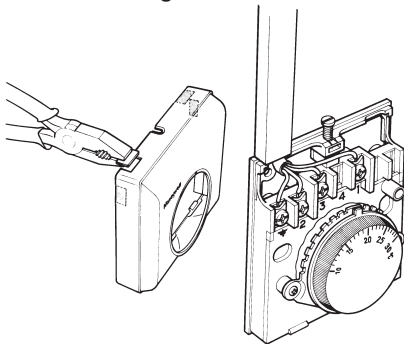


**CAUTION:** Isolate power supply and make safe before wiring the unit to prevent electric shock and equipment damage. Installation should be carried out by a competent person.

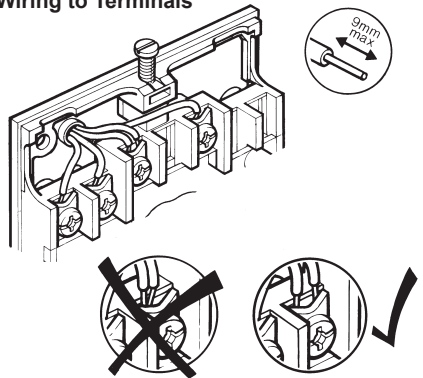
2 - Surface Mounting



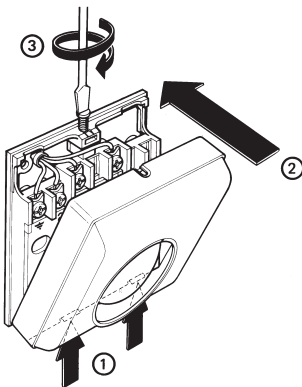
3 - Surface Wiring



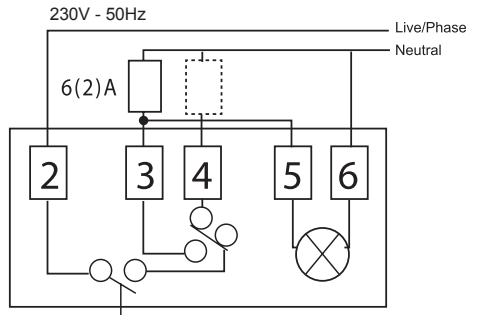
4 - Wiring to Terminals



5 - Completion



WIRING DIAGRAM



## INSTALLATION INSTRUCTIONS

### **NOTE:**

The thermostat requires 230V AC to operate.

In order to correctly adjust the system to room temperature, install the thermostat as far from heat sources, draughts or particularly cold walls (thermal bridges) as possible.

### **CAUTION:**

Before wiring the appliance be sure to turn off the mains power.

The appliance must be wired to the electric mains through a switch capable of disconnecting voltage as per the current New Zealand safety standards. Installation and electrical wiring of this appliance must be made by a qualified technician and in compliance with the current standards.

**Distributed by:** Simx Limited  
Ph: +64 9 259 1660 | Technical Support Ph: +64 9 259 1662  
Email: [sales@simx.co.nz](mailto:sales@simx.co.nz) | [www.simx.co.nz](http://www.simx.co.nz)

