



Create a clear vision



Glass Vice®
0800 700 797
www.glassvice.com



Office and Showroom: 24C William Pickering Drive, Albany, Auckland 0632
Phone: 09 414 6565
Email: info@glassvice.com



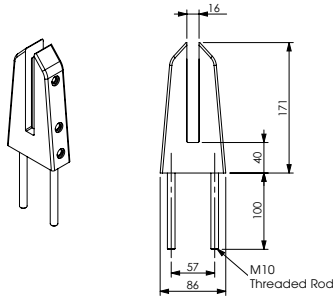
Technical specifications

A detailed technical manual is available for architects or specifiers on request.

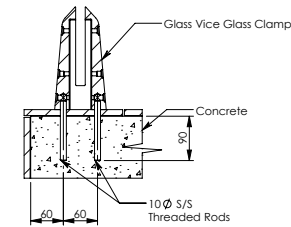
More information can be downloaded from the website.

Direct Fix

Glass Vice with Threaded Rods
(Concrete Fix)

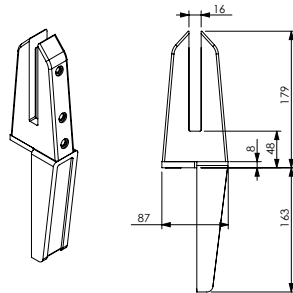


Direct Fix Detail for Concrete

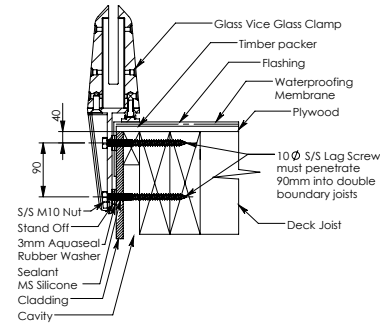


Architectural Bracket

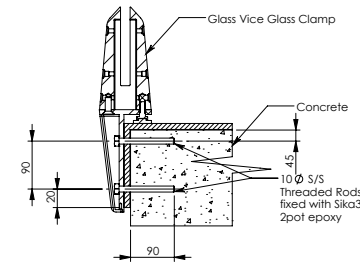
Glass Vice with Side Fixing bracket



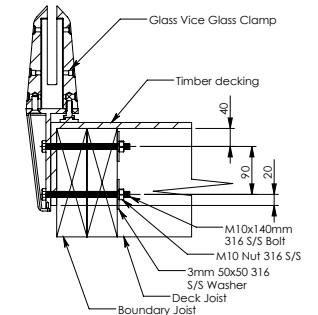
Architectural Bracket Detail for Cavity



Architectural Bracket Detail for Concrete

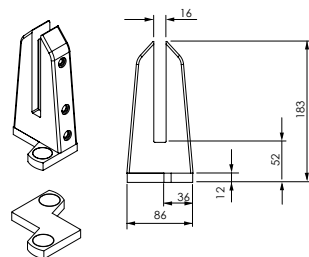


Architectural Bracket Detail for Decking

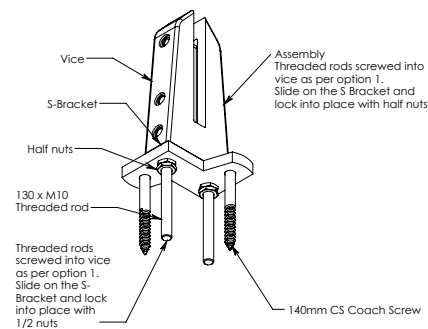


S Bracket

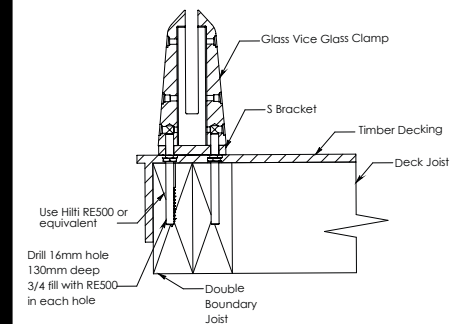
Glass Vice with S Bracket



S Bracket Detail for Decking



S Bracket Detail for Decking



GLASS
VICE®