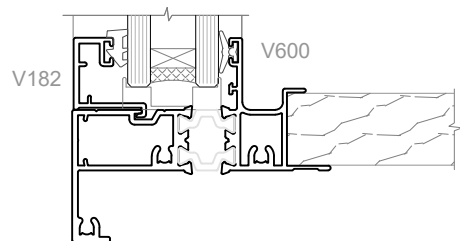
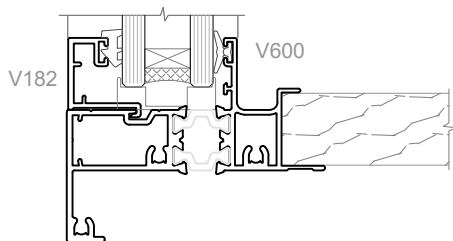
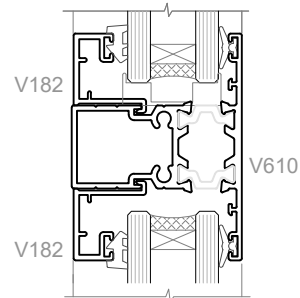
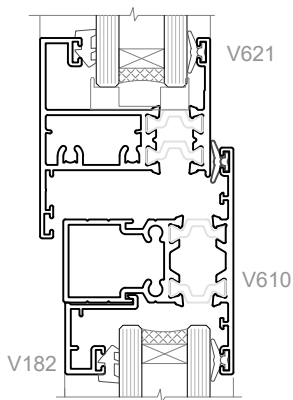
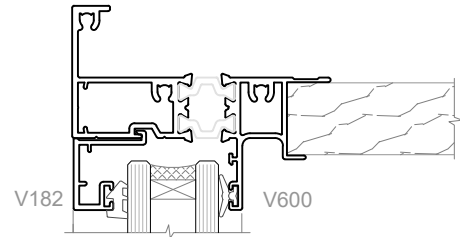
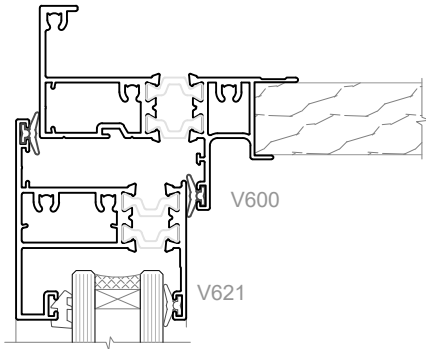
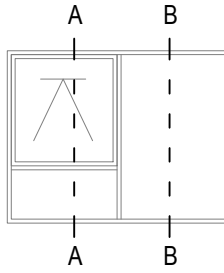


Thermal Linear 40

Cross Sectional
CAD Details



SECTION A-A

SECTION B-B

AWNING / CASEMENT WINDOW

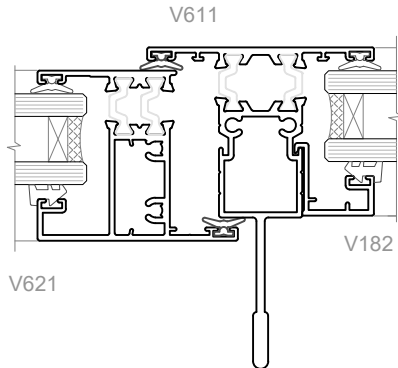
Rev 0



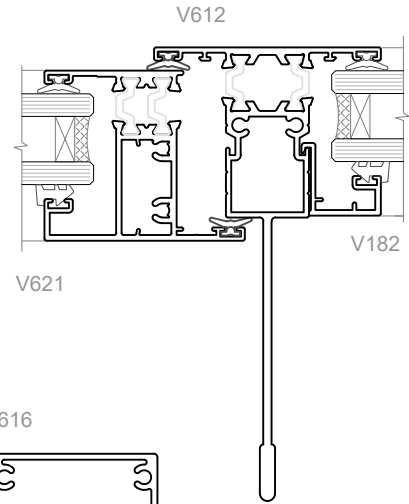
Thermal Linear 40

Cross Sectional
CAD Details

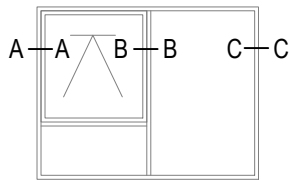
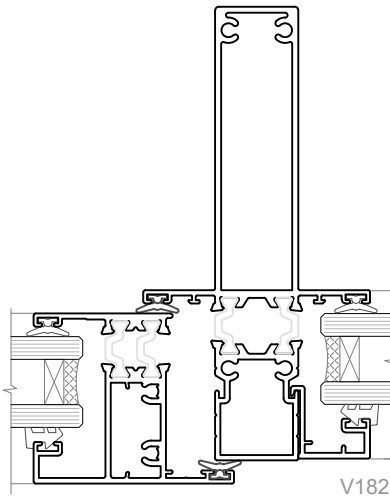
SECTION B-B



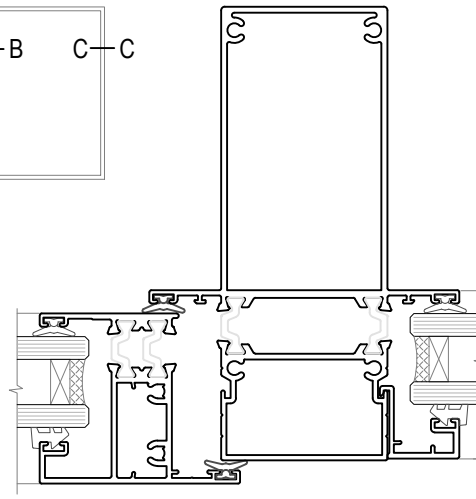
SECTION B-B



V615



V616

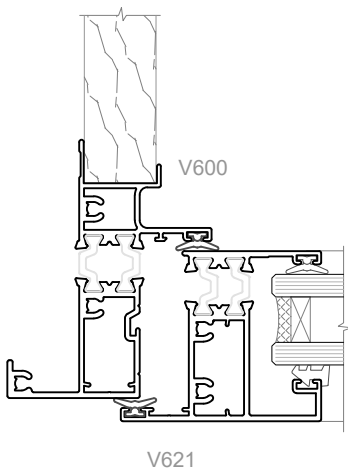


V621

SECTION B-B

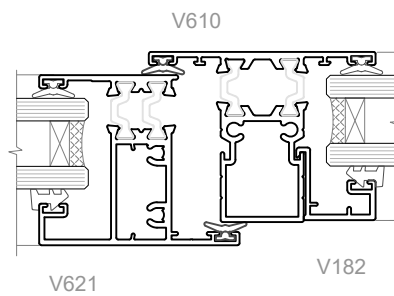
V621

SECTION B-B



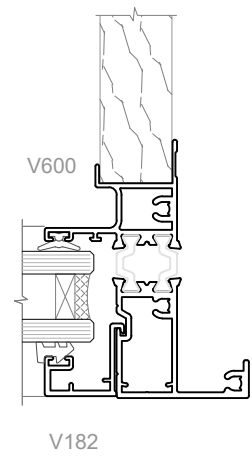
V621

SECTION A-A



V621

SECTION B-B



V182

SECTION C-C

AWNING / CASEMENT WINDOW

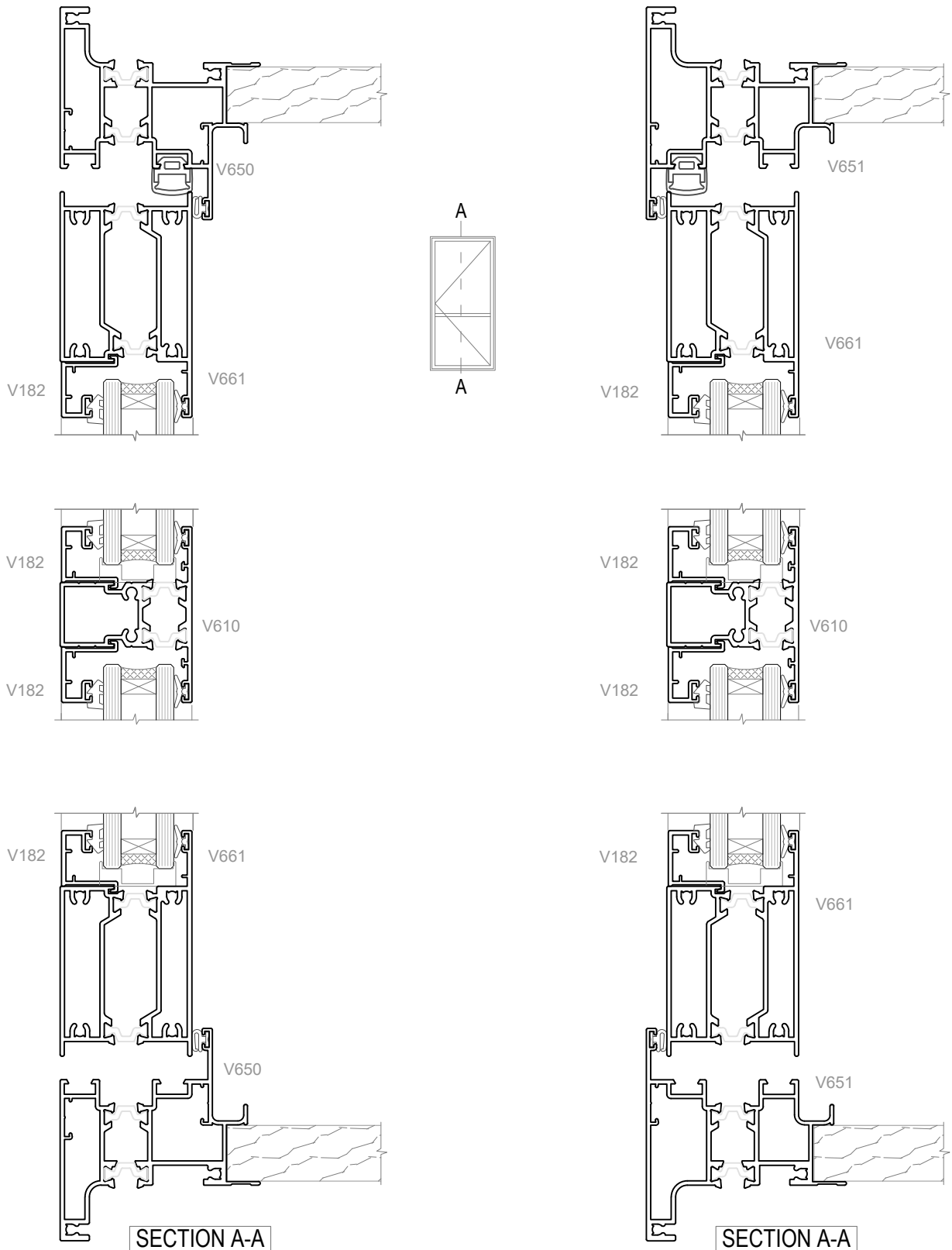
Rev 0



Thermal Linear 40

Cross Sectional

CAD Details



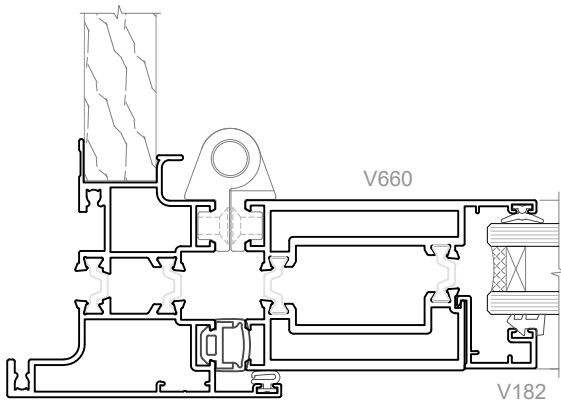
HINGED DOOR

Rev 0



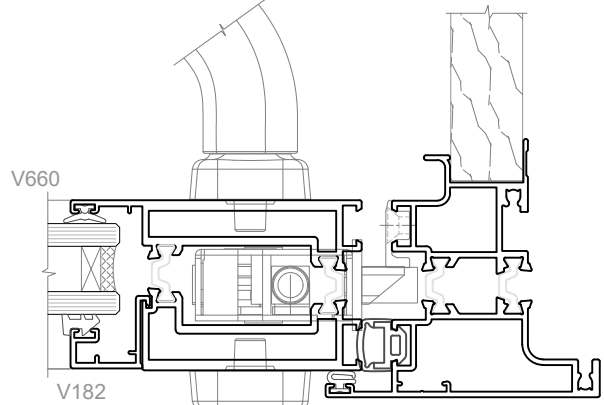
Thermal Linear 40

Cross Sectional
CAD Details



V651

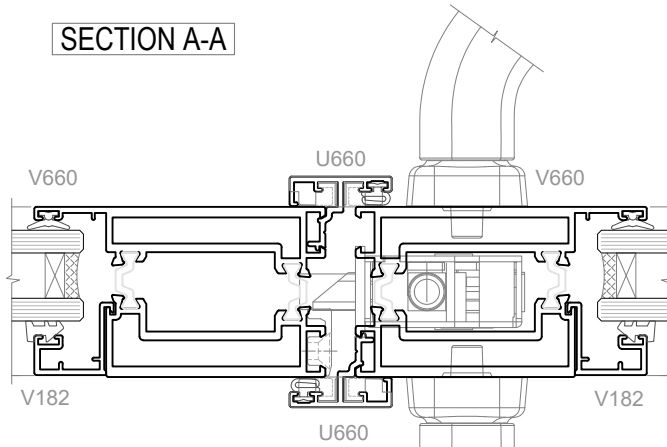
SECTION A-A



V182

V651

SECTION B-B

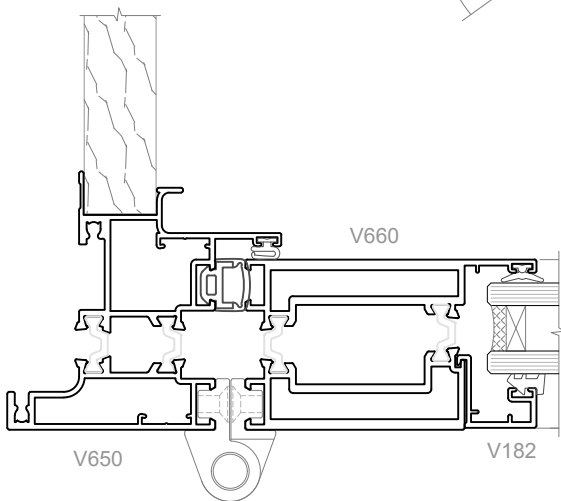
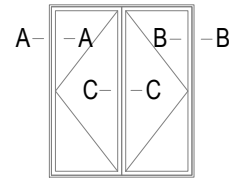


V182

V182

U660

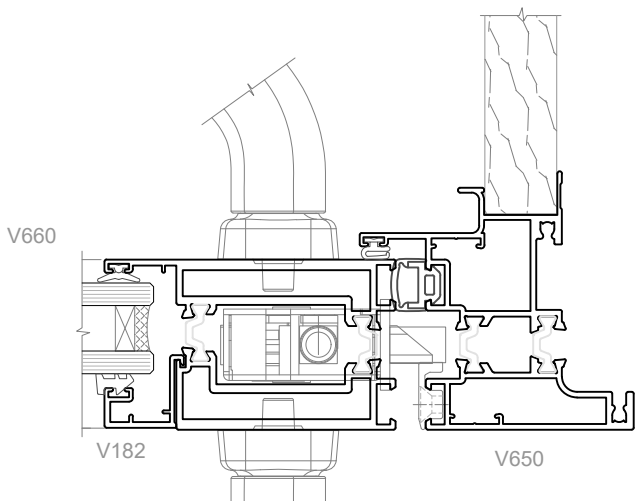
SECTION C-C



V650

V182

SECTION A-A



V182

V650

SECTION B-B

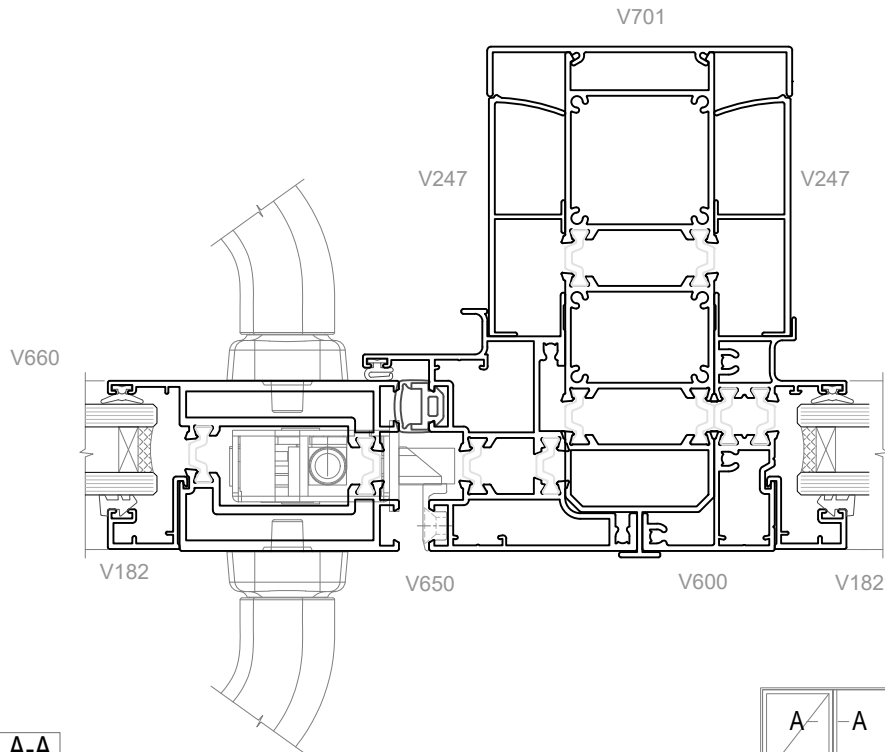
HINGED DOOR

Rev 0

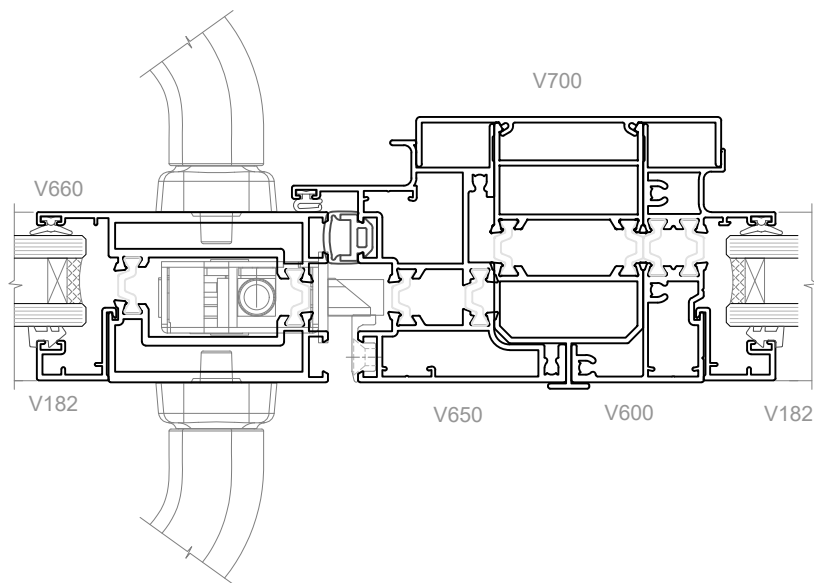
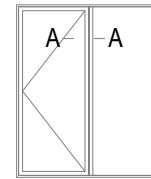


Thermal Linear 40

Cross Sectional
CAD Details



SECTION A-A



SECTION A-A

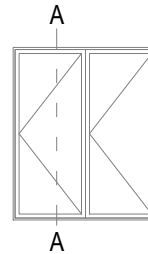
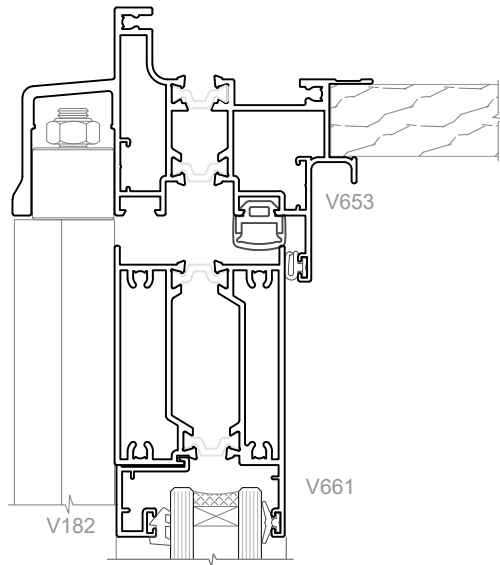
HINGED DOOR

Rev 0

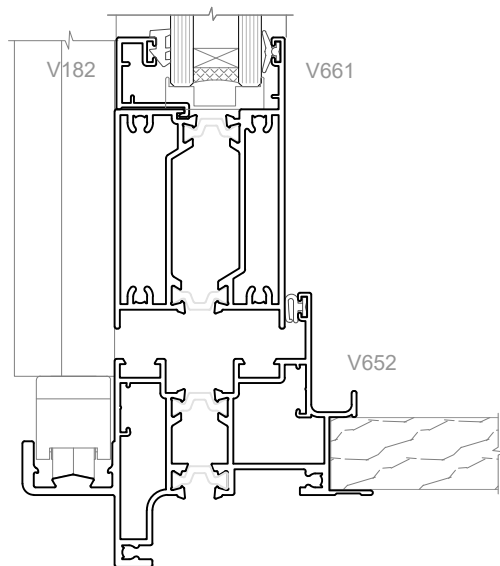


Thermal Linear 40

Cross Sectional
CAD Details



SECTION A-A



BOTTOM ROLLING BI-FOLD DOOR

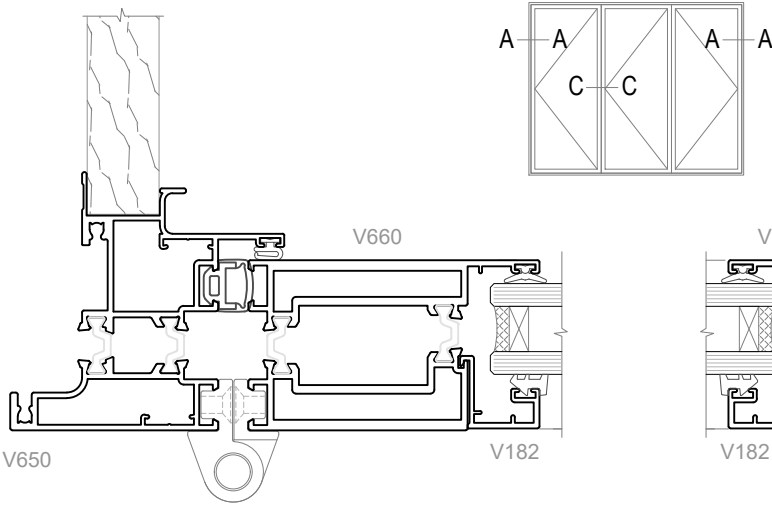
Rev 0



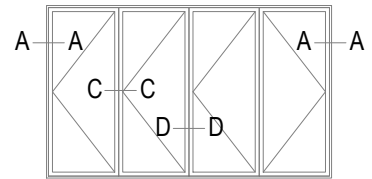
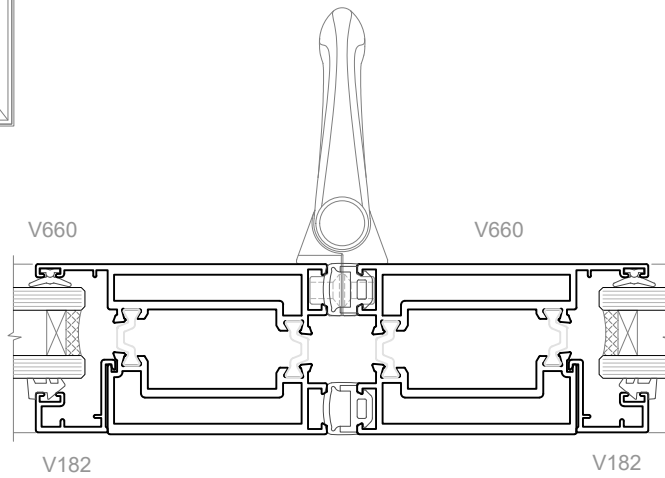
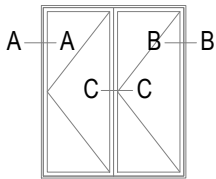
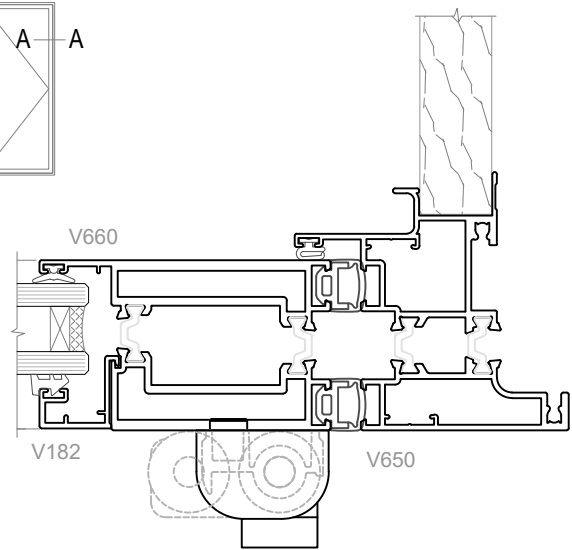
Thermal Linear 40

Cross Sectional
CAD Details

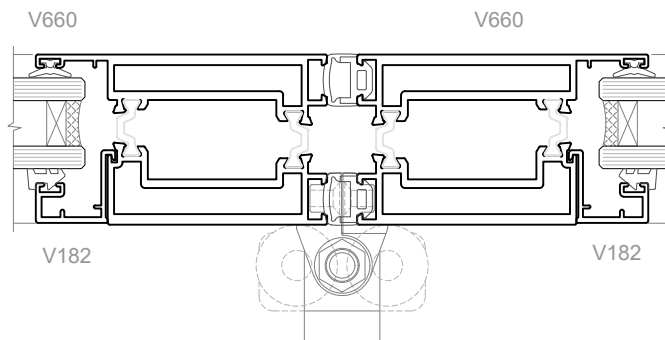
SECTION A-A



SECTION B-B



SECTION C-C



SECTION D-D

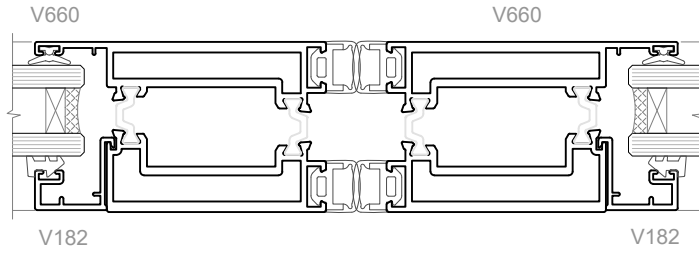
BOTTOM ROLLING BI-FOLD DOOR

Rev 0

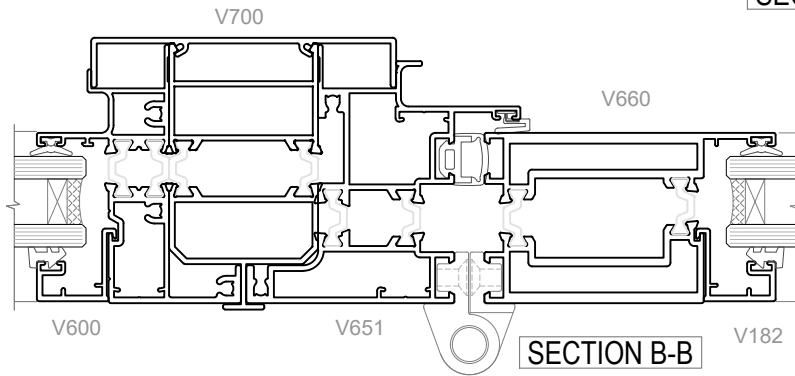


Thermal Linear 40

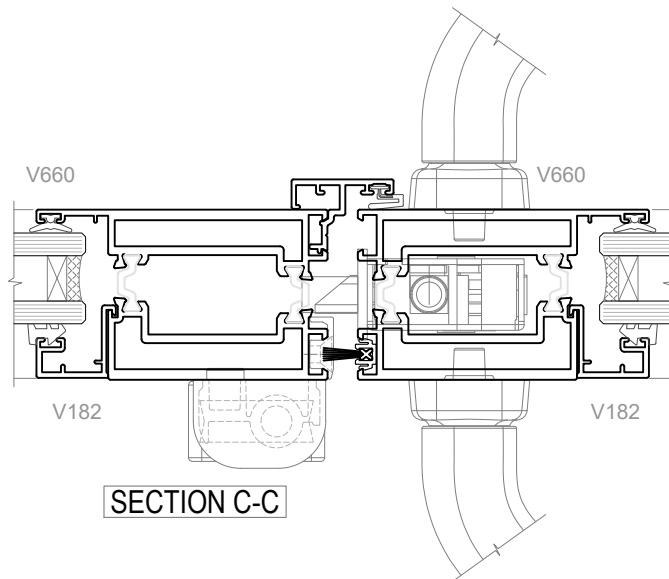
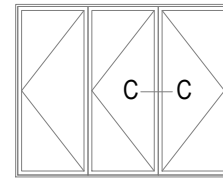
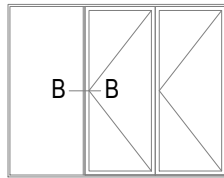
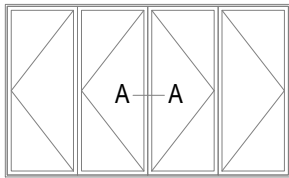
Cross Sectional
CAD Details



SECTION A-A



SECTION B-B



SECTION C-C

BOTTOM ROLLING BI-FOLD DOOR

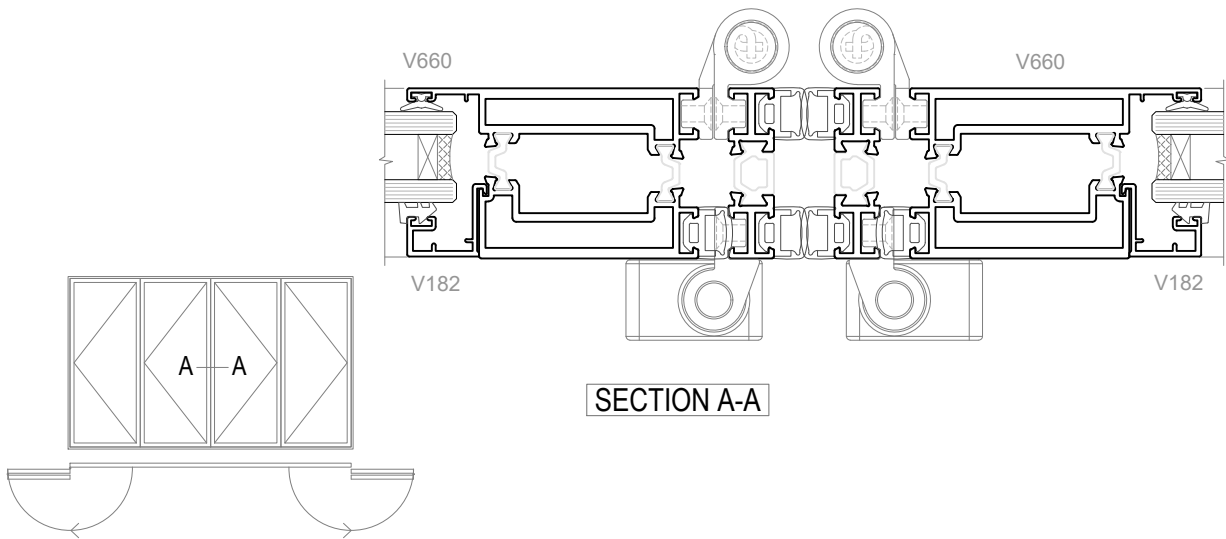
Rev 0



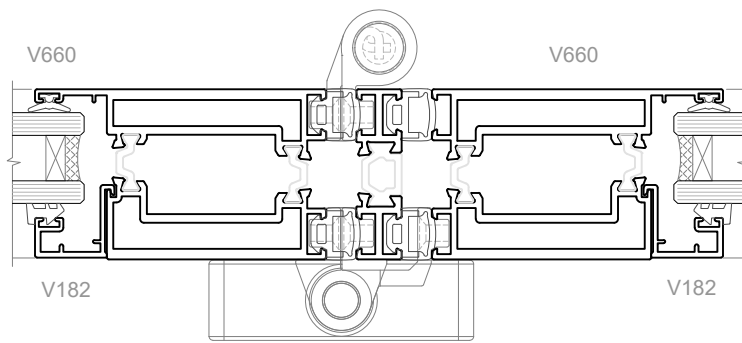
Thermal Linear 40

Cross Sectional

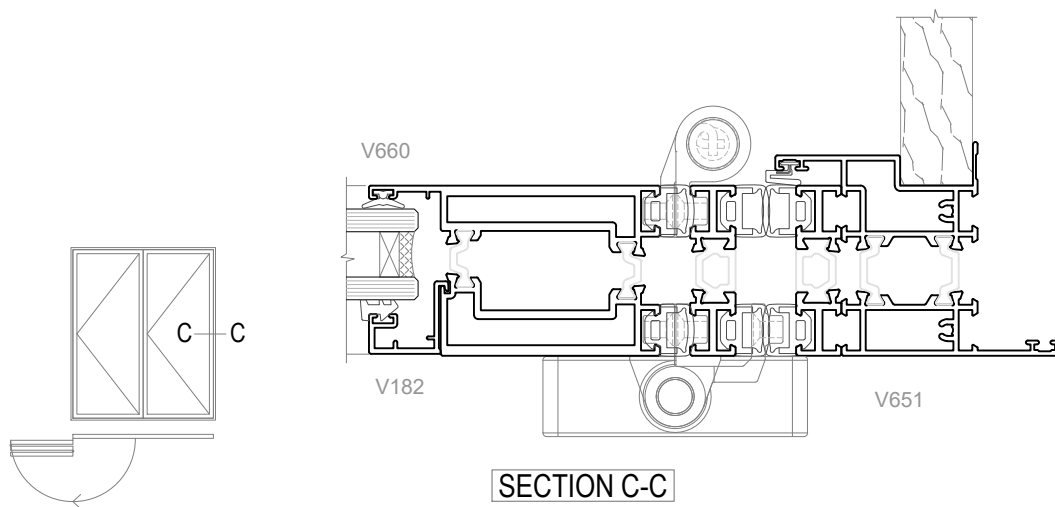
CAD Details



SECTION A-A



SECTION B-B



SECTION C-C

FREEFOLD

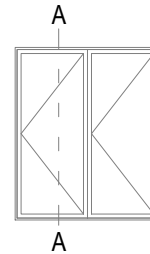
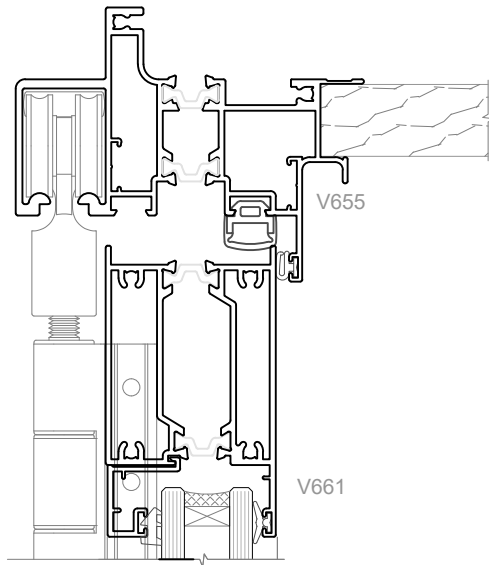
BOTTOM ROLLING BI-FOLD DOOR

Rev 0

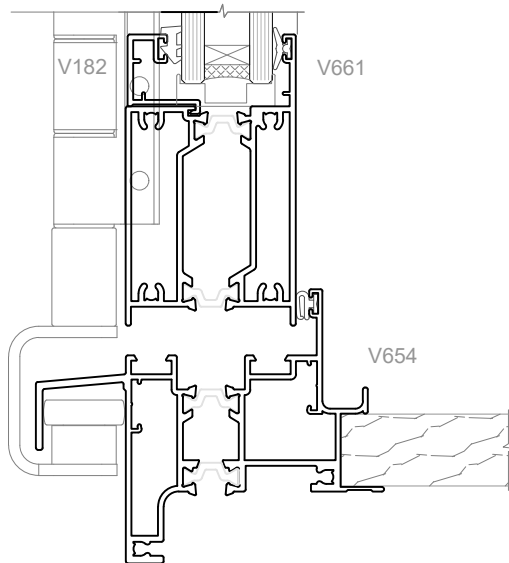


Thermal Linear 40

Cross Sectional
CAD Details



SECTION A-A



TOP HUNG BI-FOLD DOOR

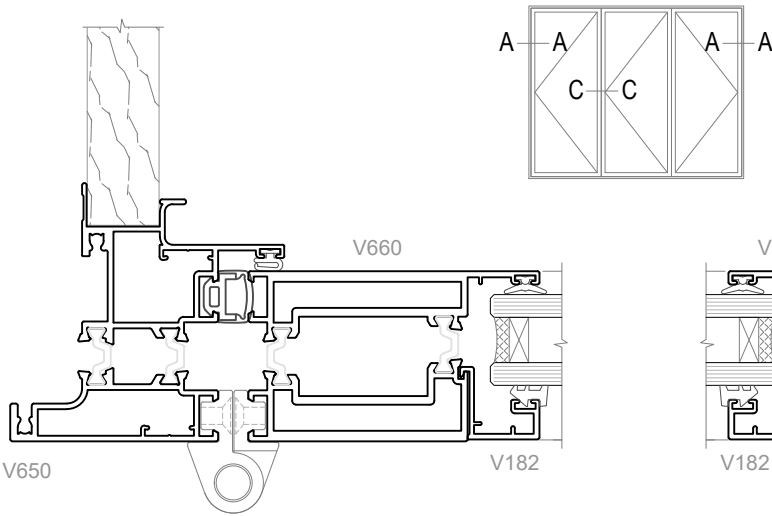
Rev 0



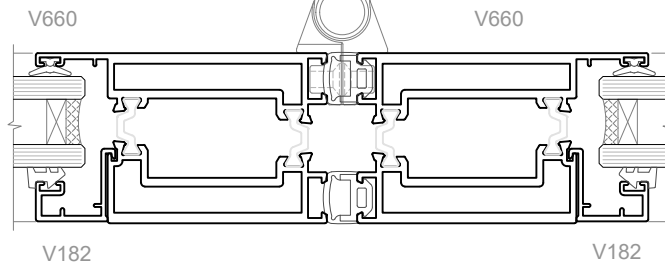
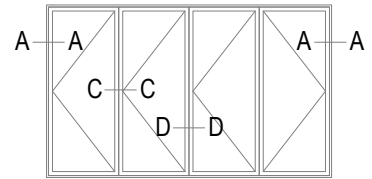
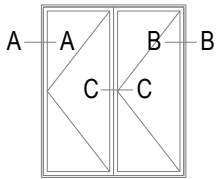
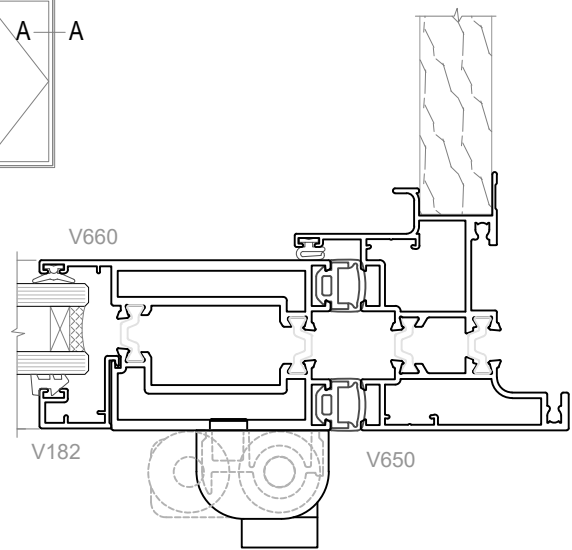
Thermal Linear 40

Cross Sectional
CAD Details

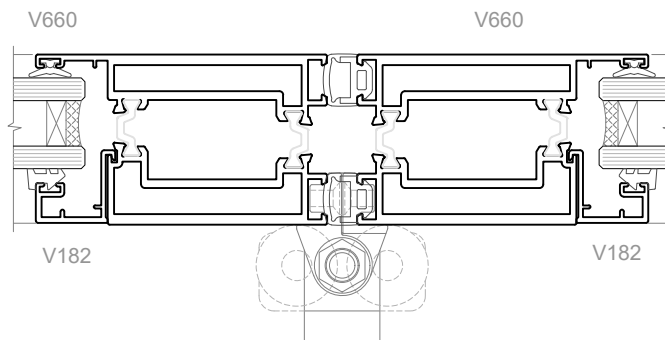
SECTION A-A



SECTION B-B



SECTION C-C



SECTION D-D

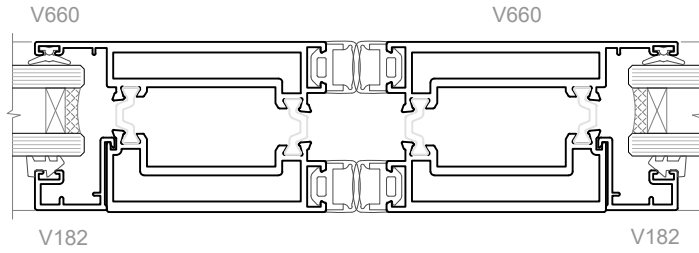
TOP HUNG BI-FOLD DOOR

Rev 0

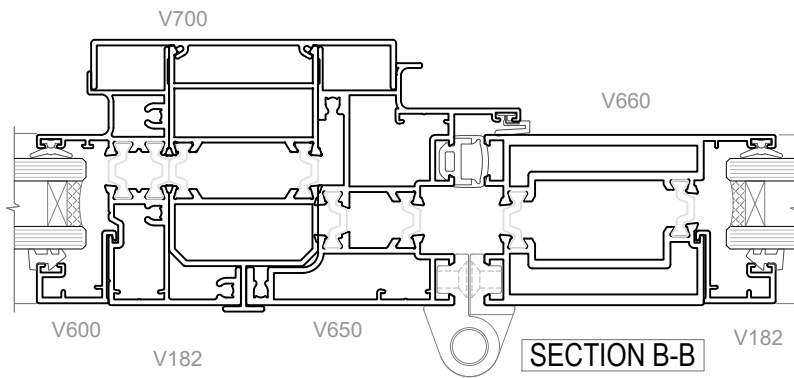


Thermal Linear 40

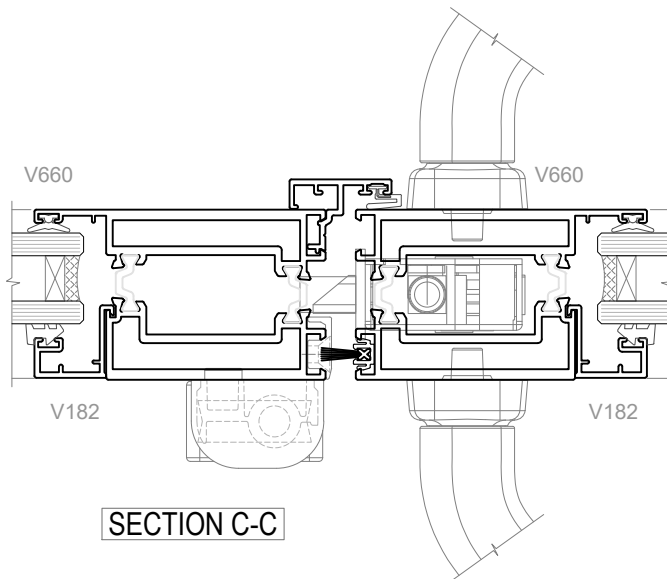
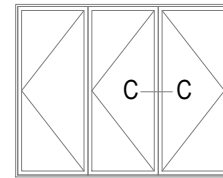
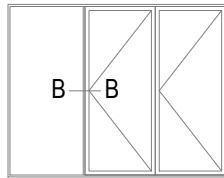
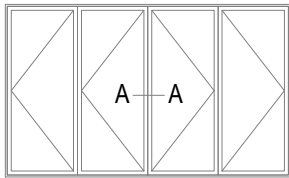
Cross Sectional
CAD Details



SECTION A-A



SECTION B-B



SECTION C-C

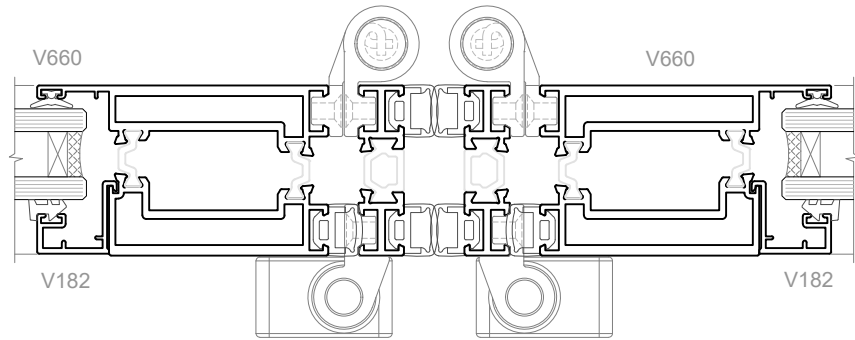
TOP HUNG BI-FOLD DOOR

Rev 0

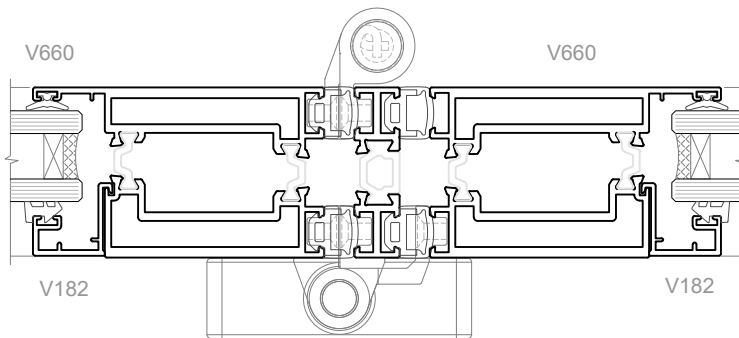
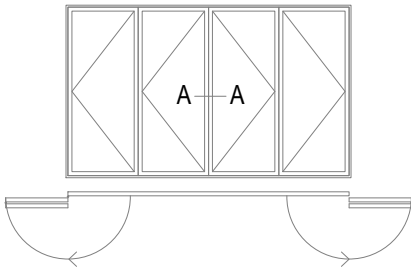


Thermal Linear 40

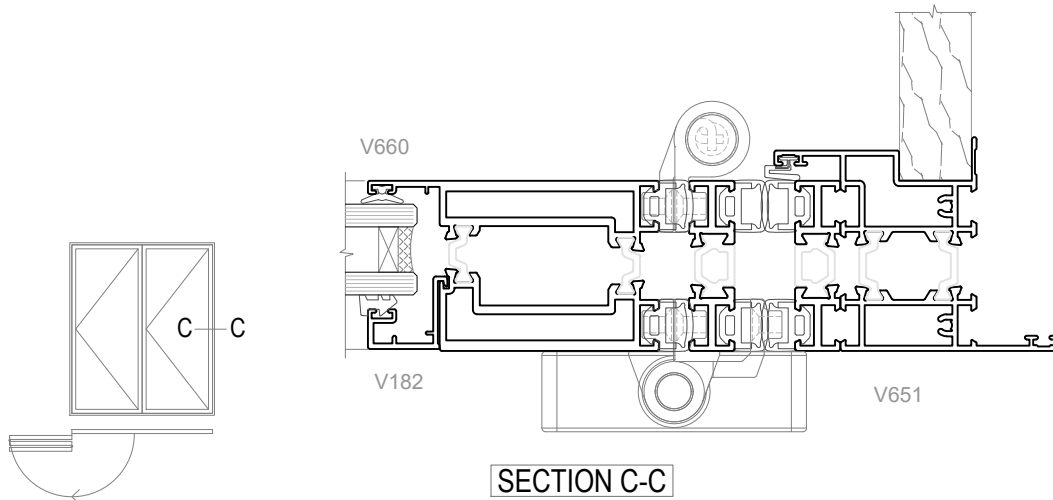
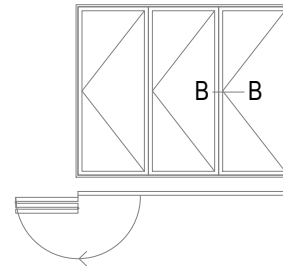
Cross Sectional
CAD Details



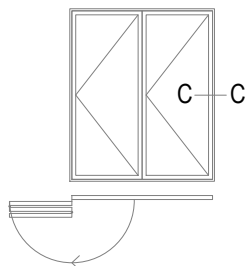
SECTION A-A



SECTION B-B



SECTION C-C



FREEFOLD

TOP HUNG BI-FOLD DOOR

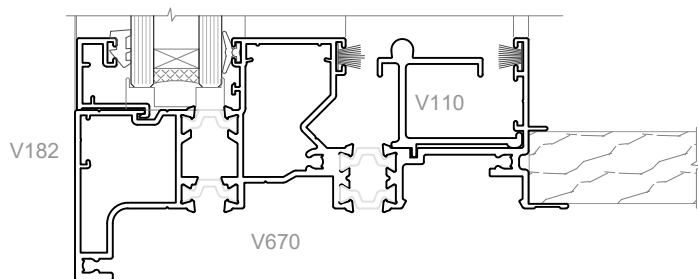
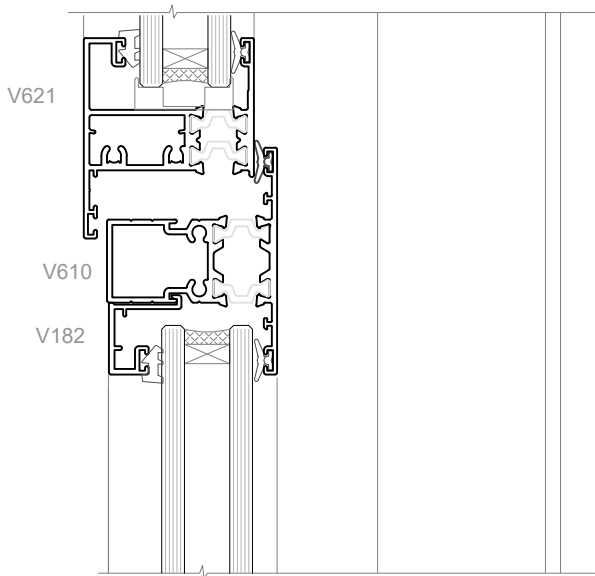
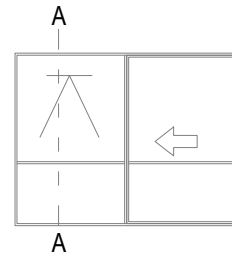
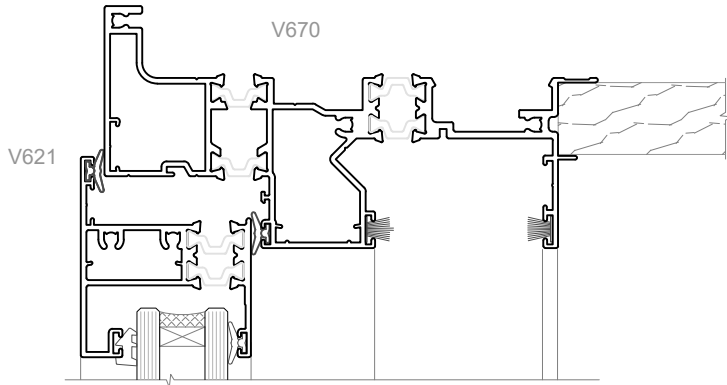
Rev 0



Thermal Linear 40

Cross Sectional

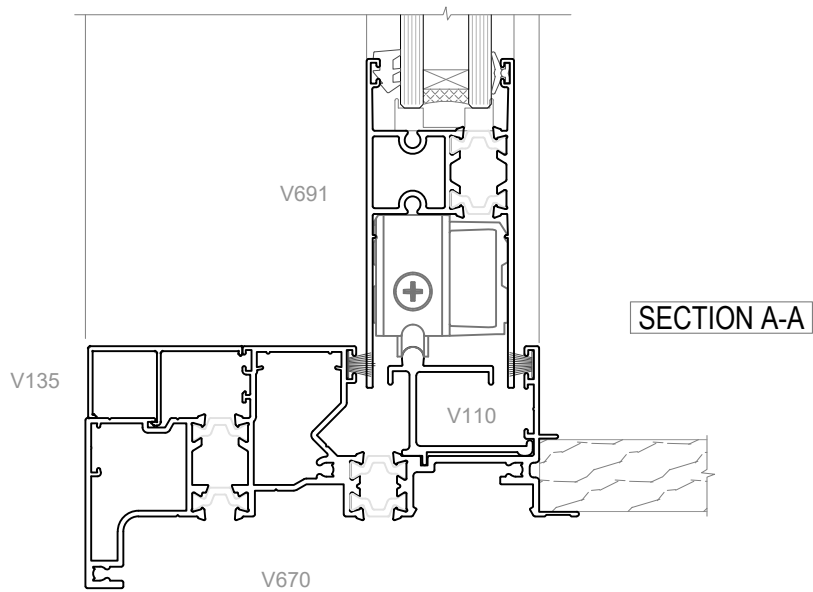
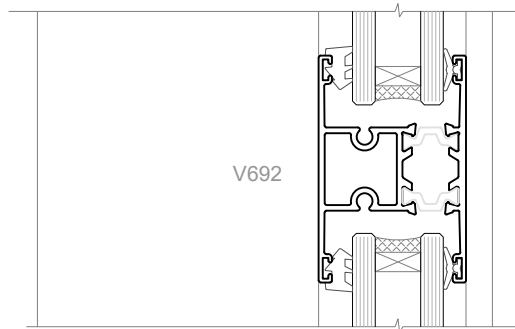
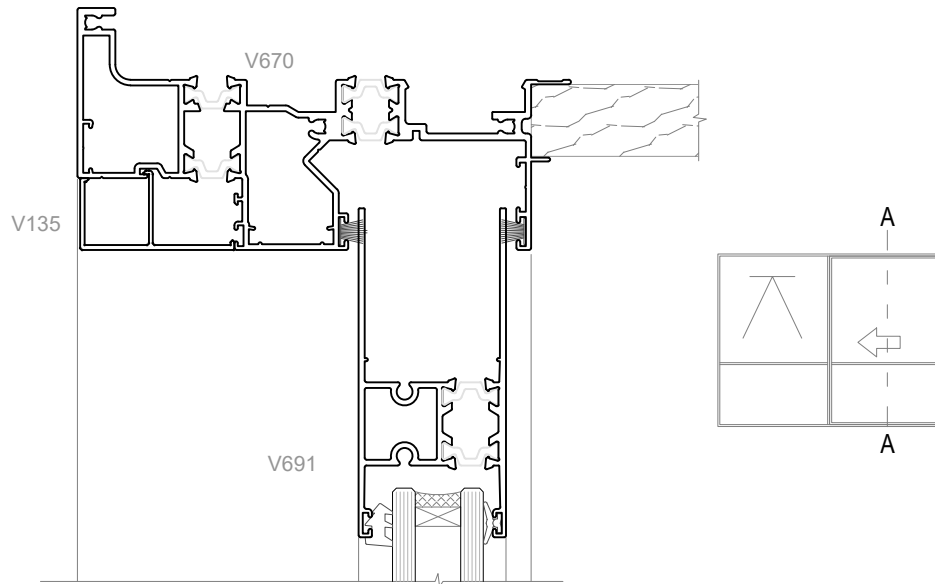
CAD Details



SECTION A-A
SLIDING DOOR

Rev 0

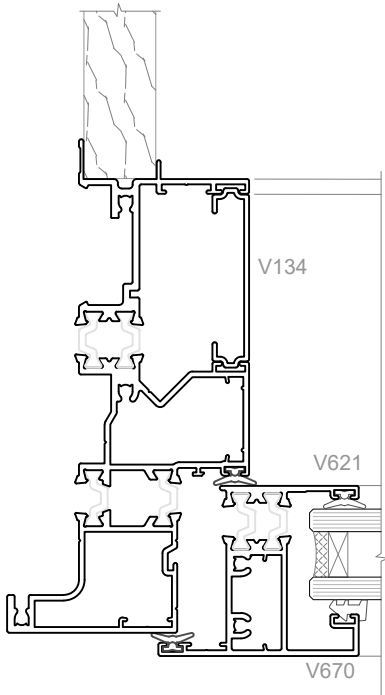




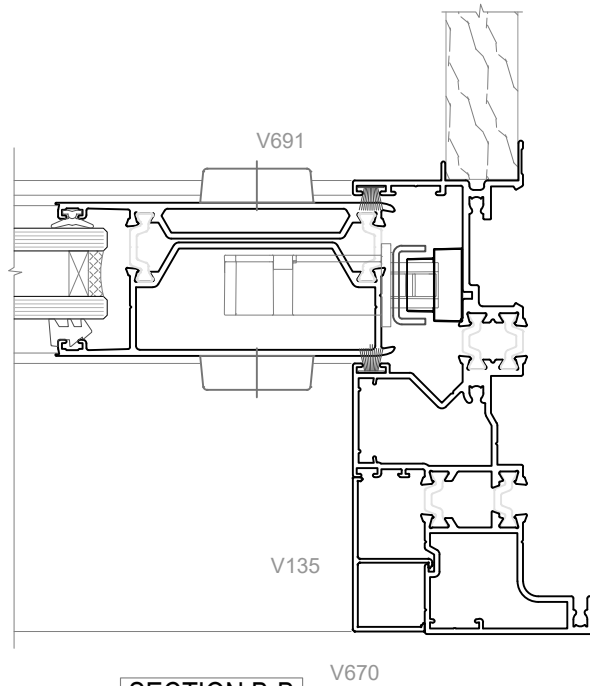
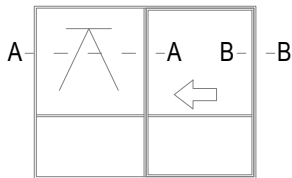
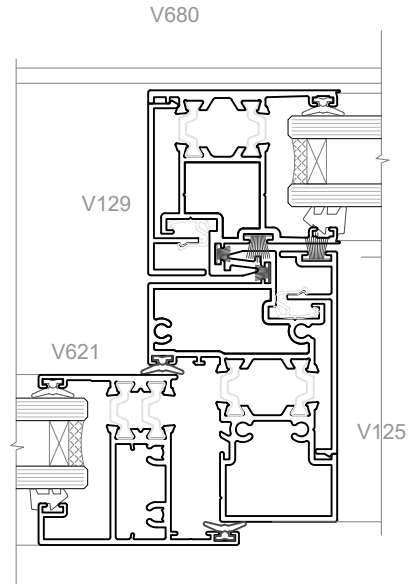
SLIDING DOOR

Rev 0





SECTION A-A



SECTION B-B

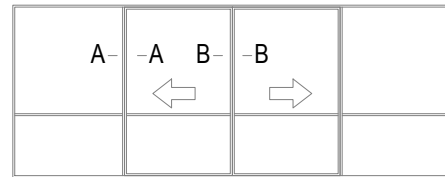
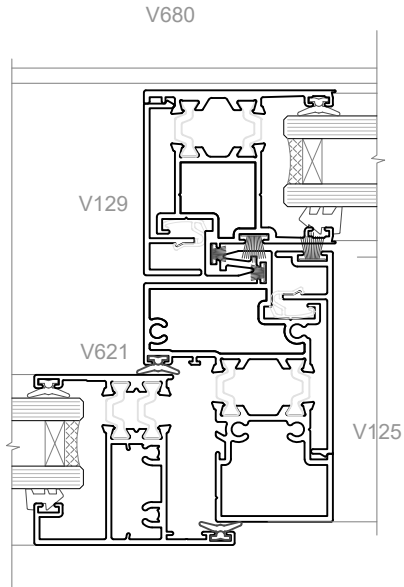
SLIDING DOOR

Rev 0

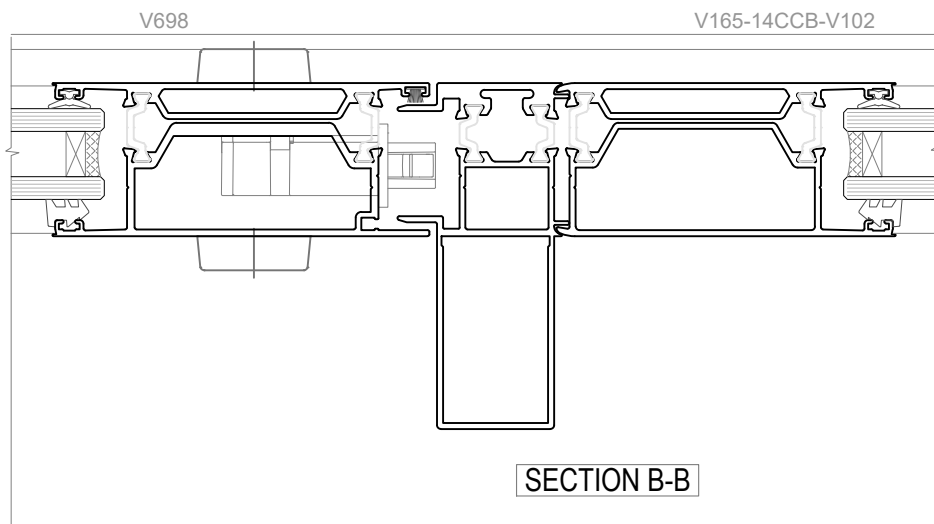


Thermal Linear 40

Cross Sectional
CAD Details



SECTION A-A

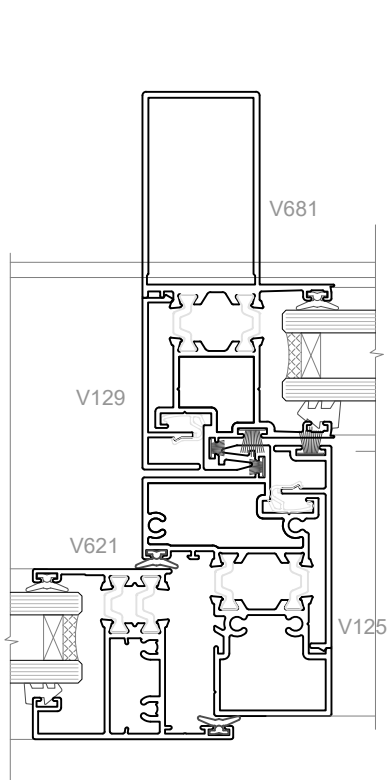


SECTION B-B

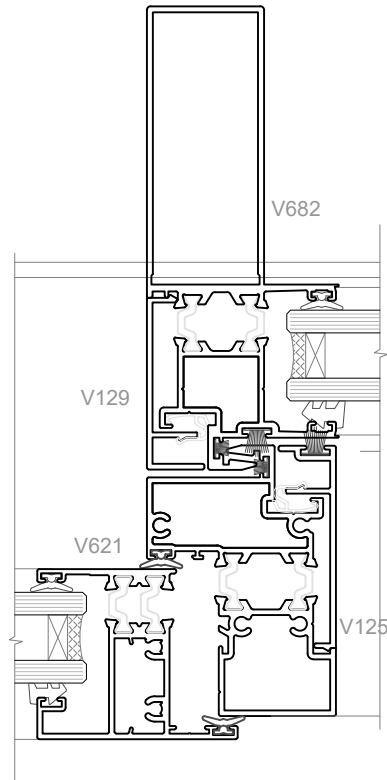
SLIDING DOOR

Rev 0

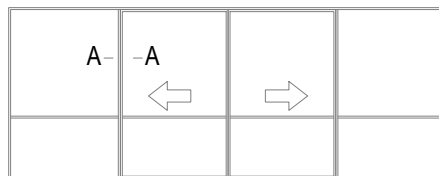


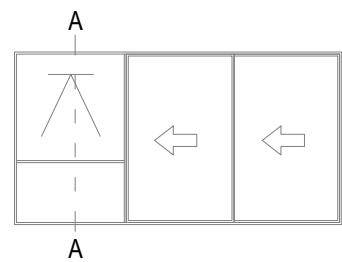
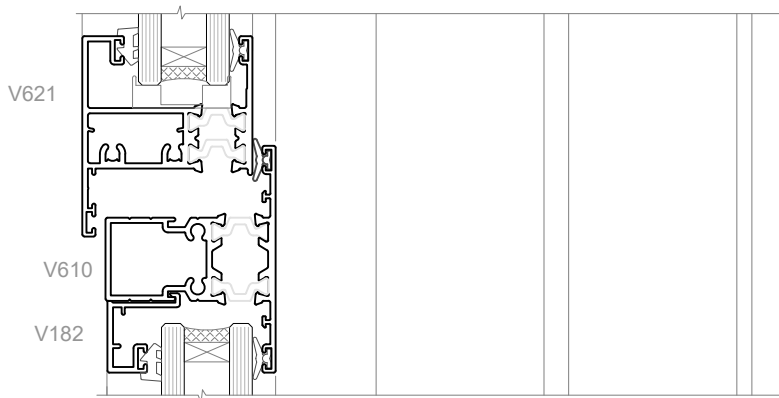
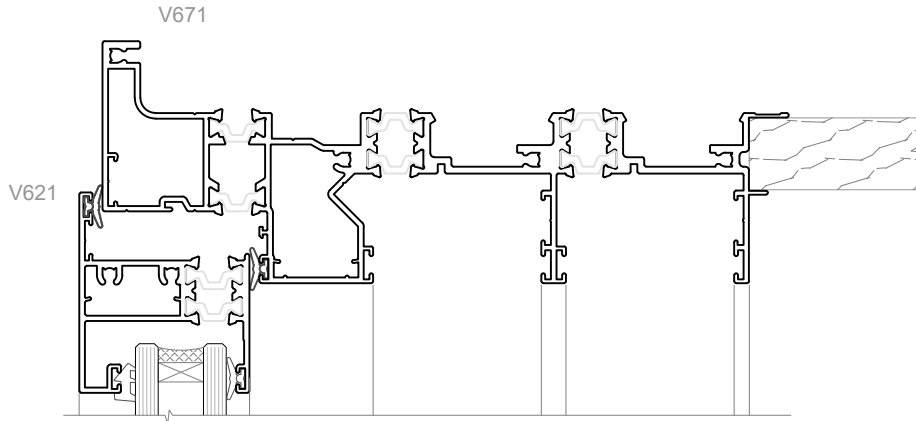


SECTION A-A

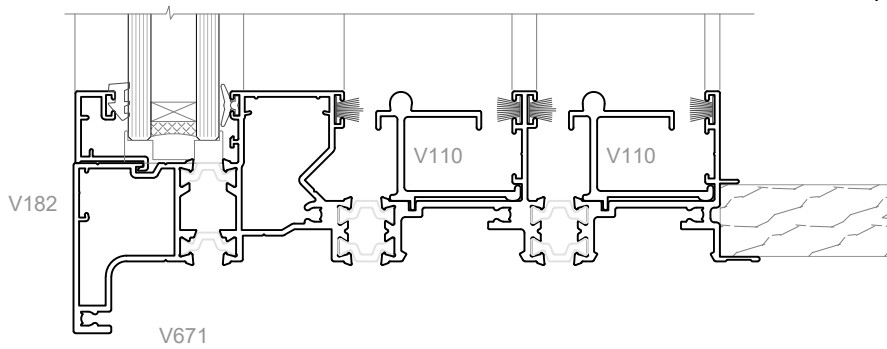


SECTION A-A





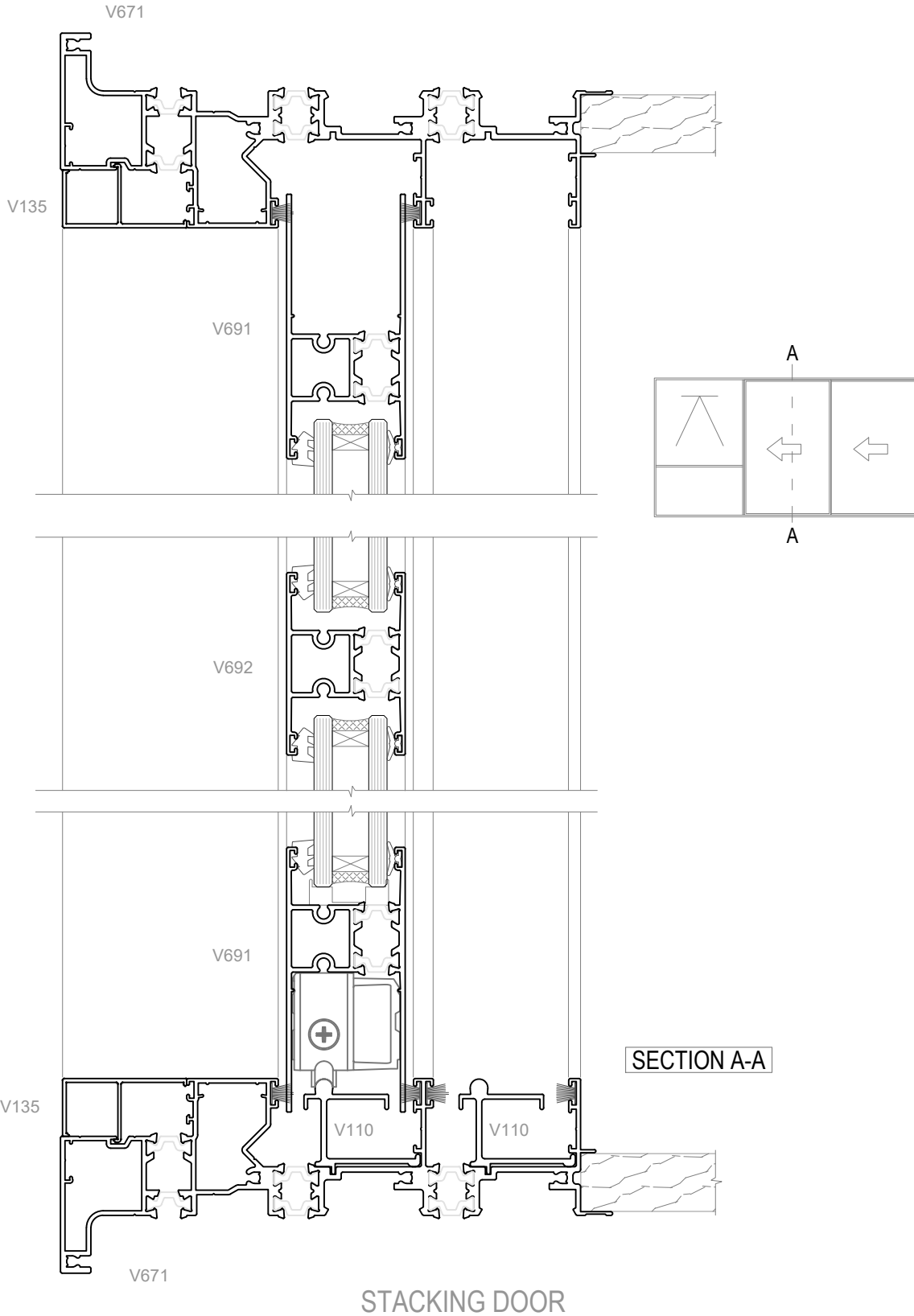
SECTION A-A



STACKING DOOR

Rev 0



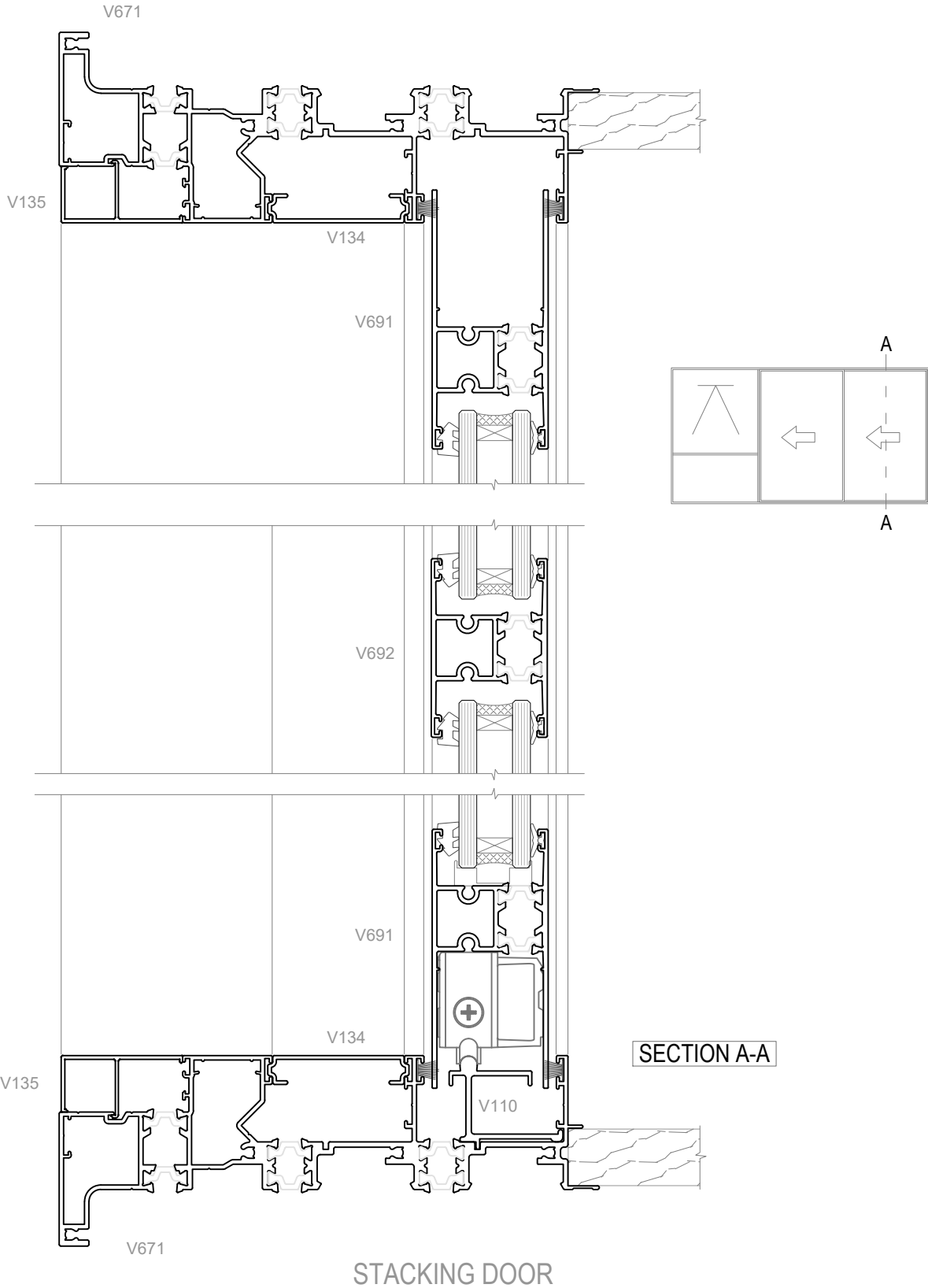


Rev 0 |

Thermal Linear 40

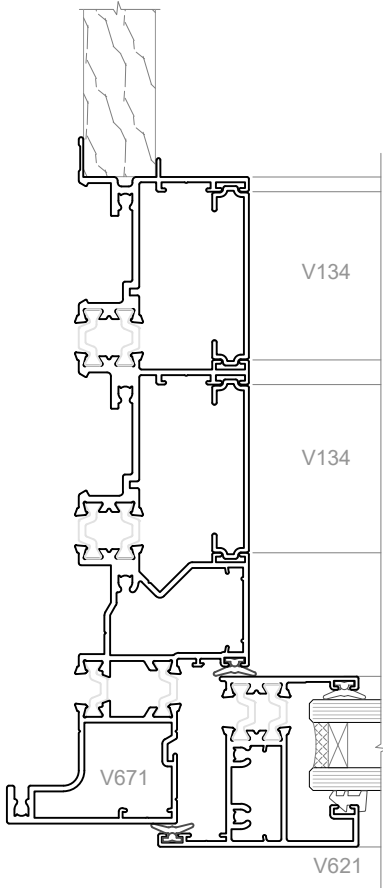
Cross Sectional

CAD Details

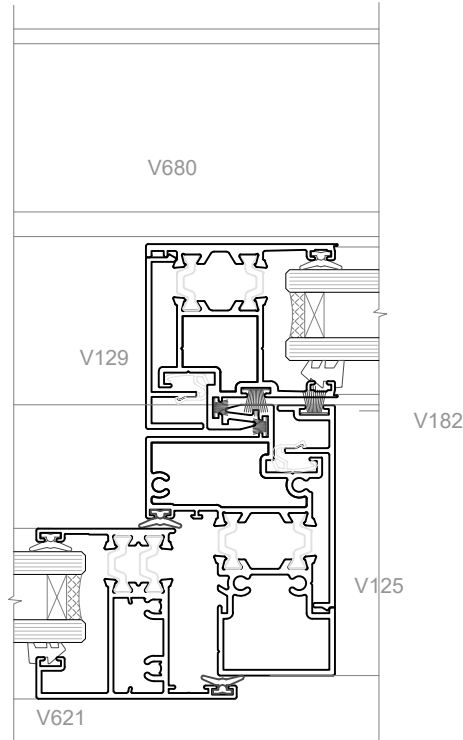


Rev 0

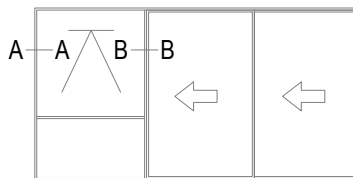




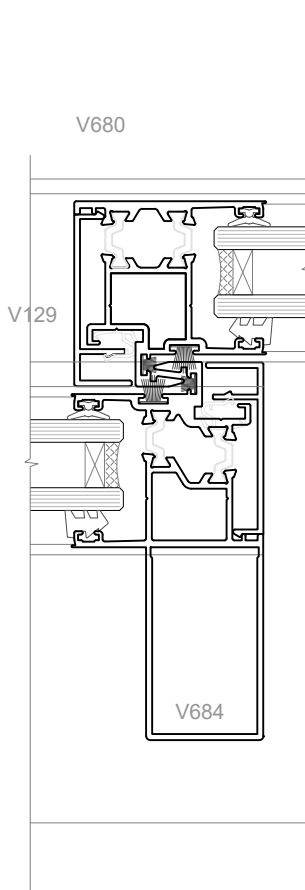
SECTION A-A



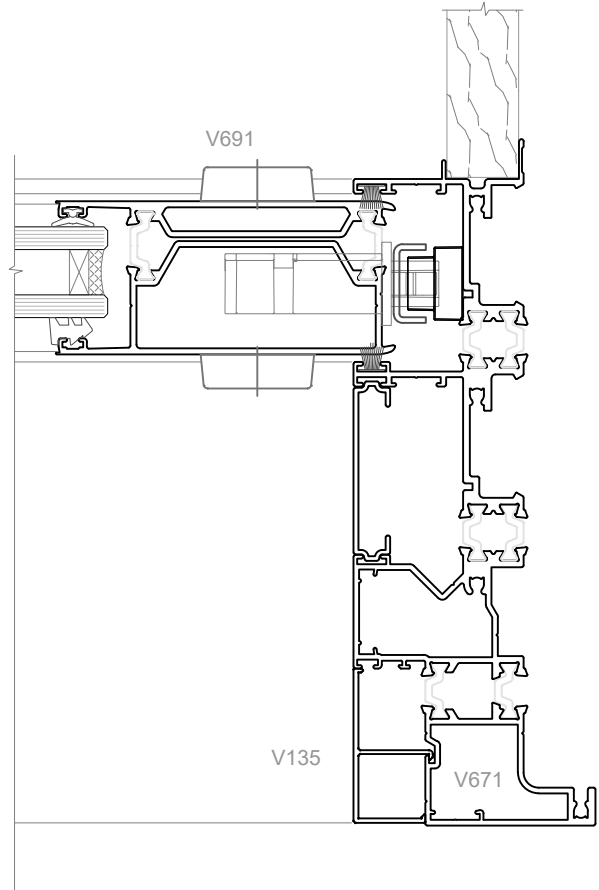
SECTION B-B



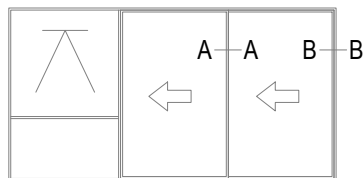
STACKING DOOR



SECTION A-A



SECTION B-B



STACKING DOOR

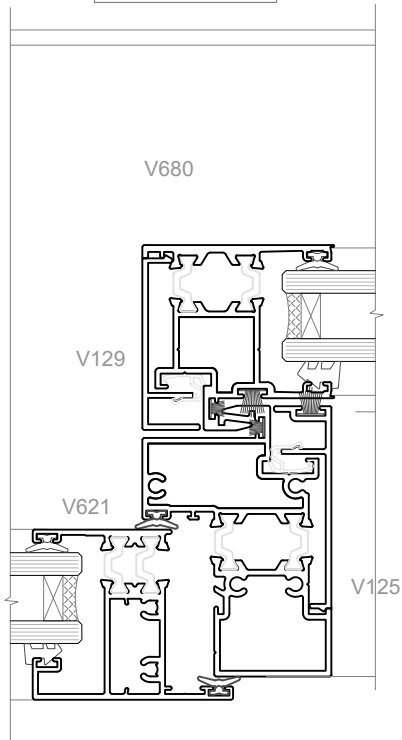
Rev 0



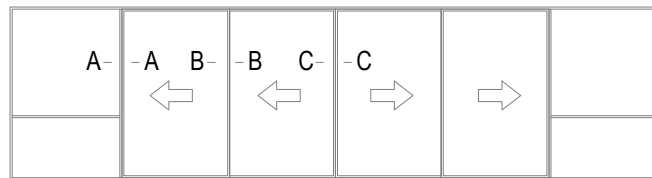
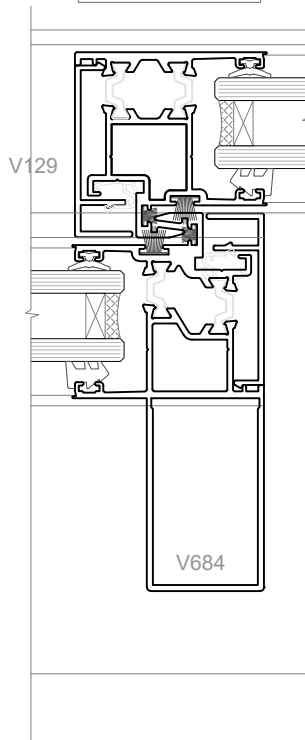
Thermal Linear 40

Cross Sectional
CAD Details

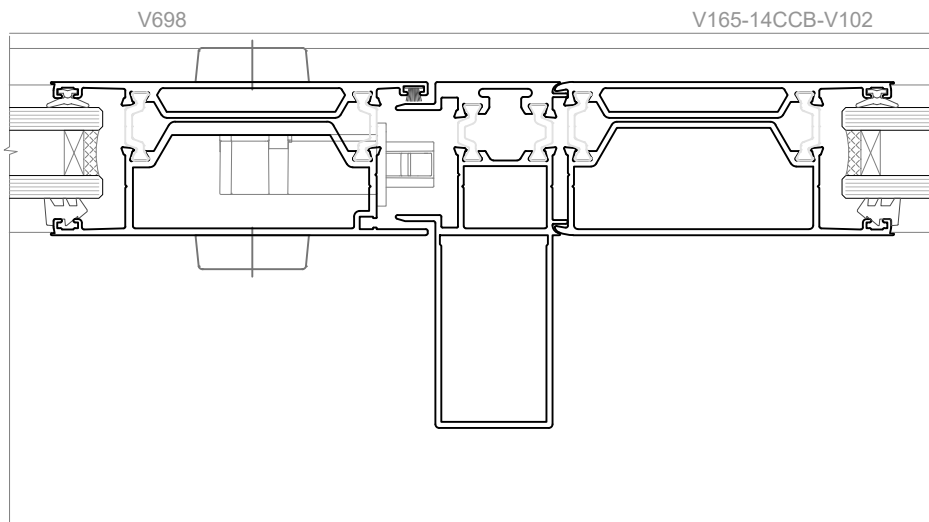
SECTION A-A



SECTION B-B



SECTION C-C



Rev 0

