

SECTION ONE
GENERAL INFORMATION

The unit utilises passive infrared technology to detect heat radiation of moving human bodies. Upon detection, the lamp will illuminate for a user-determined time period. An integral daylight sensor ensures night-only operation.

PARTS INCLUDED

- PIR Sensor unit.
- Instruction manual. Please keep safe for future reference.
- Accessory Pack.

TOOLS & PARTS NEEDED

- Electric/hand-held drill & bits.
- Terminal or Electricians screwdriver
- Large slotted/philips screwdriver
- Wire cutters

This product is suitable for wall mount exterior applications. Lighting loads connected must not exceed maximum 3000w Filament/Incandescent, 500w Fluorescent/CFL, 75w Motor, 30w LED. It is not recommended to mix lamp or motor types on a circuit controlled by PIR sensor as there is potential for this to cause erratic switching. Exceeding these maximum ratings will cause the non-replaceable relay inside the sensor to fail, voiding any warranty claim.

SECTION TWO
SELECTING THE LOCATION

The motion detector has a number of detection zones, at various vertical and horizontal angles as shown (see Diagram A). A moving human body needs to cross/enter one of these zones to activate the sensor. The best all-round coverage is achieved with the unit mounted at the optimum height of 2.5m.

Careful positioning of the sensor will be required to ensure optimum performance. See Diagram A detailing detection range and direction.

The sensor is more sensitive to movement ACROSS its' field of vision than to movement directly TOWARDS (see Diagram B). Therefore position the unit so that the sensor looks ACROSS the likely approach path. Avoid positioning the sensor where there are any sources of heat in the detection area (extractor fans, tumble dryer exhausts etc.). Reflective surfaces (ie pools of water or white-painted walls) and overhanging branches may cause false activation under extreme conditions.

During extreme weather conditions the motion sensor may exhibit unusual behaviour. This does not indicate a fault with the sensor. Once normal weather conditions return, the sensor will resume normal operation.

SECTION THREE
INSTALLATION

*** IMPORTANT ***
Switch off the electricity at the fuse box by removing the relevant fuse or switching off the circuit breaker before proceeding with the installation.

After choosing a suitable location (see previous section) install the unit as follows:

Remove the wiring box cover by unscrewing the retaining screw (Diagram E) and with a screwdriver gently push down and ease out. The unit is suitable for connection to a 230 V ac 50Hz electricity supply. It is suggested that 3-core round flexible cable of 1mm² gauge is used. An isolating switch should be installed to switch the power to the unit ON & OFF. This allows the sensor to be easily switched off when not required or for maintenance purposes.

Mark the position of the fitting holes. Drill the holes. Insert the rawl plugs into the holes. PIERCE & PASS THE CABLE(S) THROUGH THE GROMMET(S) BEFORE PROCEEDING. Fix the mounting plate to the wall. Take care not to overtighten the screws to prevent damage to the mounting plate. If using a power screwdriver, use the lowest torque setting.

CONNECTION

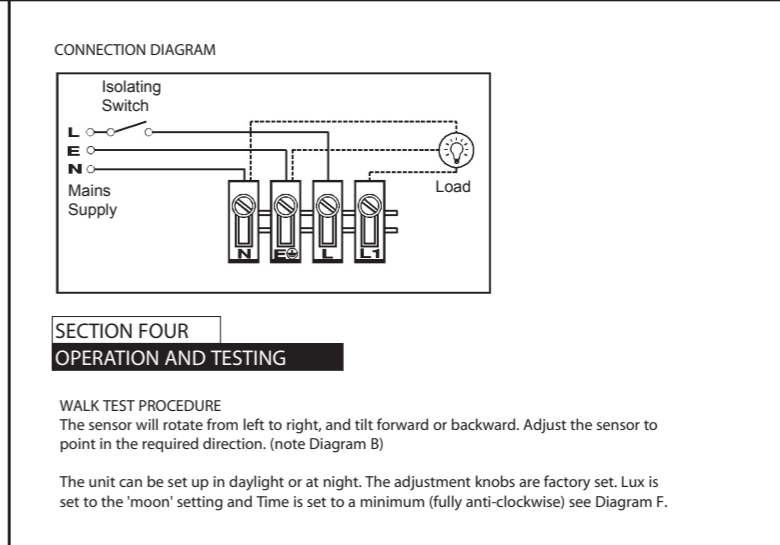
Connect the mains supply cable to the terminal block as follows (see connection diagram):

| | |
|----------------|---|
| NEUTRAL (Blue) | N |
| LIVE (Brown) | L |

Connect the cable from the lighting load to the terminal block on the unit as follows: (see connection diagram)

| | |
|----------------|----|
| NEUTRAL (Blue) | N |
| LIVE (White) | L1 |

Ensure the connections are secure. Place terminal block onto its securing pillar on the wall bracket (Diagram D) Fit sensor to wall bracket and secure by fixing screw (Diagram E)



The TIME setting controls how long the unit remains illuminated following activation and after all motion ceases. (See Diagram F. the time adjustment knob is indicated by the "Clock" symbol).

The minimum time (fully anti-clockwise) is approx. 5 seconds, whilst the maximum time (fully clockwise) is approx. 5 minutes. Set the control to the desired setting between these limits.

The DUSK control determines the level of darkness required for the unit to start operating. The setting is best achieved by the procedure below: (See Diagram F. the Dusk adjustment knob is indicated by the "Moon" and "Sun symbols). Set the DUSK control knob fully anti clockwise. Wait until darkness falls. When the ambient light level reaches the level of darkness at which you wish the lamp to become operative (i.e.: at dusk) SLOWLY rotate the control in a clockwise direction until a point is reached where the lamp illuminates. Leave the control set at this point.

At this position the unit should become operative at approximately the same level of darkness each evening. Observe the operation of the unit. If the unit is starting to operate too early (i.e.: when it is quite light) adjust the control slightly anti-clockwise. If the unit starts to operate too late (i.e.: when it is very dark). Adjust the control slightly clockwise. Continue to adjust until the unit operates as desired.

The LED's will scroll from left to right, day and night; indicating the unit is in Automatic Mode. The LED's will extinguish when the sensor activates the light for as long as the lamp is illuminated.

MASKING THE SENSOR LENS
To restrict the sensor coverage, preventing detection in unwanted areas, mask the sensor lens using the masks provided in the accessory pack (see Diagram G). For your information, the top section of the lens covers long range detection, the bottom covers short range. Similarly the left and right lens sections cover the left and right detection areas respectively.

MANUAL OVERRIDE MODE - SINGLE LED ILLUMINATED
The light can be switched on for longer time periods by use of the Manual Override Mode. This can be activated at night by using the internal wall switch or circuit breaker.

Switch the internal wall switch/circuit breaker twice (off/on, off/on) within 2 seconds. The unit will now illuminate continuously until dawn or until it is switched back into Auto Mode.

Manual Override Mode is indicated by the permanent illumination of a single red LED in the top of the sensor head.

To switch the unit back into Auto Mode, flick the internal wall switch/circuit breaker off/on once within 1 second. The unit will return to Auto Mode. This is indicated by the return of the left to right scrolling LED's as described in Automatic Operation above.

HOLIDAY MODE - SINGLE LED FLASHING
The benefit of Holiday Mode is that the user can program the unit automatically illuminate for a certain time, (1 - 8 hours) each night. At dusk the unit will illuminate for this set period after which it will extinguish. The unit will continue to operate normally when it senses movement until dawn. At dusk the following night the process will be repeated, the unit will remain on for this set period (1 - 8 hours) then operate as a sensor unit until dawn.

3 YEAR WARRANTY

This product is guaranteed by SIMX Ltd for 36 MONTHS from the date of purchase against faulty materials or workmanship which affects its designed ability to detect or switch. During this period if the product has a defect of this nature it will be repaired or replaced free of charge by SIMX with the same item, or a similar one of higher specification. ON CONDITION THAT:

The buyer returns it to the seller from whom it was bought, freight paid.

The product has been bought by the user. ie a receipt/sales invoice is produced as proof of purchase. The product has not been misused or handled carelessly, installed in anyway contrary to the installation instructions, or installed in any unusually exposed or harsh environmental conditions.

This guarantee excludes liability for discolouration of paint or plastic, or any user replaceable parts. It does not infer any rights other than those expressly set out above and does not cover any claims for consequential loss or damage.

Our Goods come with guarantees that cannot be excluded under the Australian and New Zealand Consumer Law.

You are entitled to a replacement or refund for a major failure and for compensation for any other reasonably foreseeable loss or damage. You are also entitled to have the Goods repaired or replaced if the Goods fail to be of acceptable quality and the failure does not amount to a major failure.

Simx

Distributed by: Simx Limited

Ph: +64 9 259 1660 | Technical Support Ph: +64 9 259 1662
Email: sales@simx.co.nz | www.simx.co.nz |

Simx reserves the right to alter technical specifications without prior warning

HOLIDAY MODE

Switch the internal wall switch/circuit breaker 3 times (off/on, off/on, off/on) within 2 seconds. A single flashing red LED at the top of the sensor head indicates Holiday Mode.

The unit will now illuminate for a user defined time between 1 and 8 hours. The time can be set by rotating the centre adjustment knob as required. (See Diagram F, the adjustment knob is identified by the letter T inside a circle).

Do not adjust this setting if you do not wish to use the Holiday Mode facility. This time adjustment is factory set to 1 hour.

Please note: Fully anticlockwise is 1 hour, fully clockwise is 8 hours.

After the defined period has elapsed, the unit will return to Automatic Mode and operate as previously set up and the three scrolling LEDs will illuminate from left to right.

Holiday Mode will NOT reset to Automatic Mode at dawn, it will repeat each night until reset by the user.

To cancel Holiday Mode, switch the internal wall switch/circuit breaker once (off/on) within one second. The unit will turn to Automatic Mode indicated by the scrolling LEDs.

SECTION FIVE
TECHNICAL SPECIFICATIONS

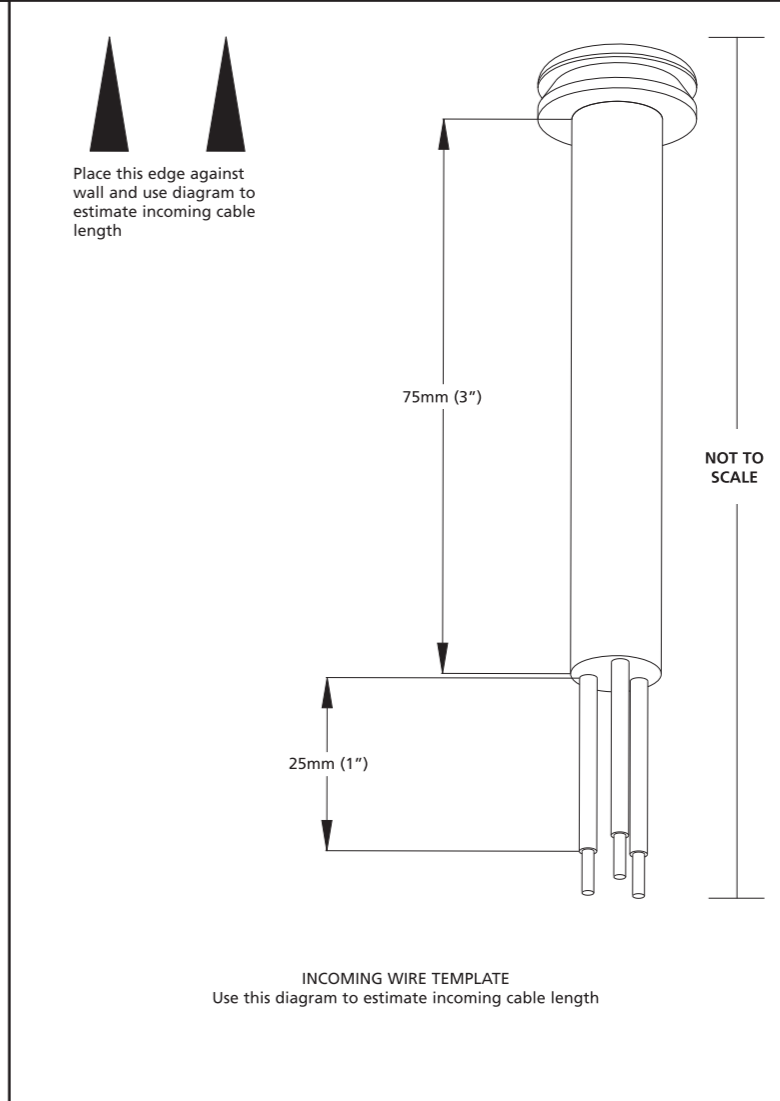
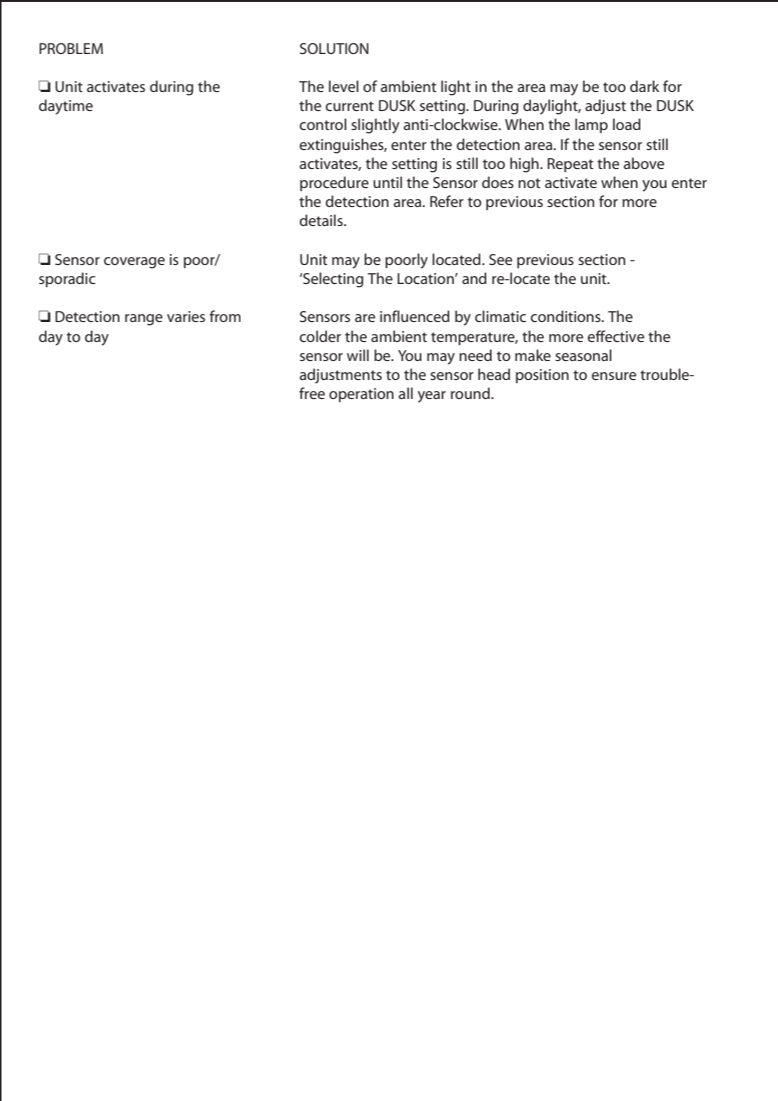
| | |
|--------------------------|---|
| Detection Range | Up to 10 metres |
| Detection Angle | 180° |
| Power Supply | 220 - 240 V AC – 50Hz |
| Maximum Switchable Load | 3000W Filament/Incandescent or 500W Fluorescent |
| Time On Adjustment | 5 seconds - 15 minutes |
| Dusk Level Adjustment | Day & night or night only operation |
| Environmental Protection | IP55 (suitable for outdoor use) |
| | Conforms to relevant AS/NZS standards. |

Simx

Simx Technical Support Ph: 09 259 1662

SECTION SIX
TROUBLESHOOTING GUIDE

| PROBLEM | SOLUTION |
|---|--|
| <input type="checkbox"/> Unit activates during the daytime | The level of ambient light in the area may be too dark for the current DUSK setting. During daylight, adjust the DUSK control slightly anti-clockwise. When the lamp load extinguishes, enter the detection area. If the sensor still activates, the setting is still too high. Repeat the above procedure until the Sensor does not activate when you enter the detection area. Refer to previous section for more details. |
| <input type="checkbox"/> Sensor coverage is poor/ sporadic | Unit may be poorly located. See previous section - 'Selecting The Location' and re-locate the unit. |
| <input type="checkbox"/> Detection range varies from day to day | Sensors are influenced by climatic conditions. The colder the ambient temperature, the more effective the sensor will be. You may need to make seasonal adjustments to the sensor head position to ensure trouble-free operation all year round. |
| <input type="checkbox"/> Lamp stays ON all the time at night. | The unit may be suffering from false activation. Cover the sensor lens completely with a thick cloth. This will prevent the sensor from "seeing" anything. If the unit now switches off after the set time duration and does not re-activate, this indicates that the problem was caused by false activation. The problem may be solved by slightly adjusting the direction/angle of the sensor head (see previous section). |
| <input type="checkbox"/> Sensor keeps activating for no reason / at random. | Check LED status:- If a single LED is constantly visible, the unit is in Manual Override Mode and will illuminate until dawn or until reset to Automatic Mode. To reset to Automatic Mode, switch the internal switch/circuit breaker off/on within one second. Automatic Mode is indicated by scrolling LEDs from Left to right. If a single flashing LED is visible, Holiday Mode has been selected. Switch the internal wall switch/circuit breaker off/on with one second and the unit will return to Automatic Mode. The light will illuminate only when motion is detected. Automatic Mode is indicated by scrolling LEDs from Left to right. You may not be allowing the unit time to complete its' warm-up period. Stand well out of the detection range and wait (the warm-up period should never exceed 5 minutes). Occasionally, winds may activate the sensor. Sometimes passages between buildings etc. can cause a "wind tunnel" effect. Ensure the unit is not positioned so as to allow detection of cars/people using public thoroughfares adjacent to your property. |
| <input type="checkbox"/> Sensor sensor will not operate at all. | Check that the power is switched ON at the circuit breaker/ internal wall switch. Turn OFF the power to the unit and check the wiring connections as per the diagram (see previous section 3). Ensure no connections are loose. Check the lamp. If the lamp has failed, replace. Ensure that the lamp is seated correctly in the lampholder. |
| <input type="checkbox"/> The Sensor sensor will not operate at night. | The level of ambient light in the area may be too bright to allow operation at the current DUSK setting. During the hours of darkness, adjust the DUSK control slowly clockwise until the lamp illuminates. Refer to previous section for more details. |



3000W Multi PIR TRINITY SENSOR

LHT0238 Black
LHT0239 White

Installation & Operating Instructions

Simx