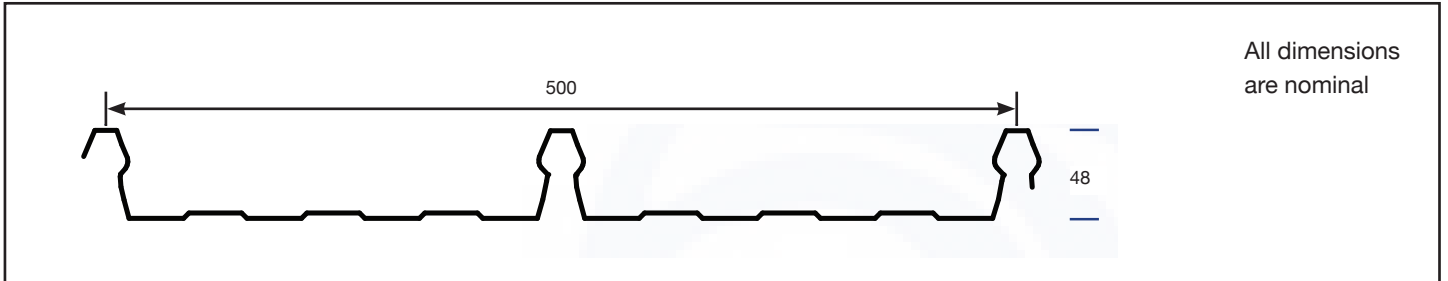


Metdek500

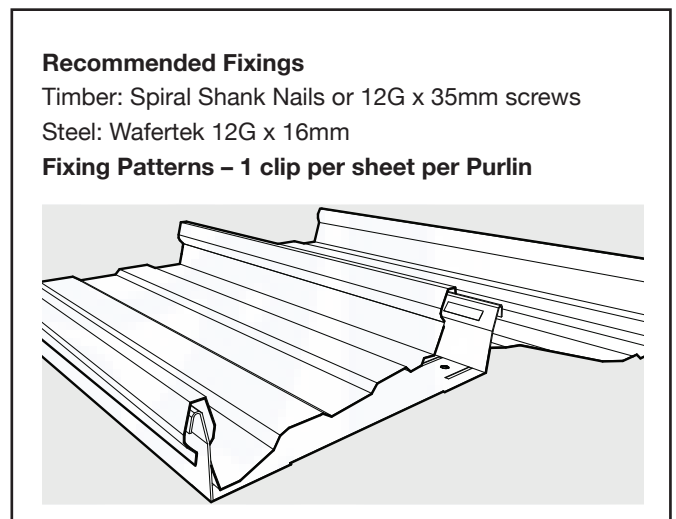
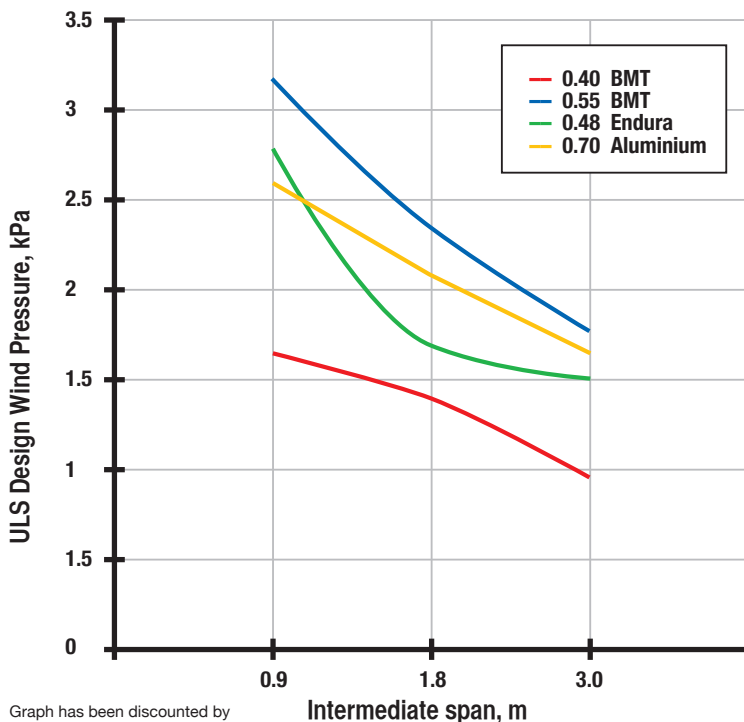
Metdek500 can be used as a residential or commercial roofing solution and is ideal for low pitches. Metdek500 employs a clip fixing system and can be used down to a minimum pitch of 3 degrees.

Metdek500 is available in 0.4, 0.48 and 0.55 G550 Zincalume, Galvsteel, Colorsteel Endura and Colorsteel Maxx. Also available in 0.70 Aluminium.

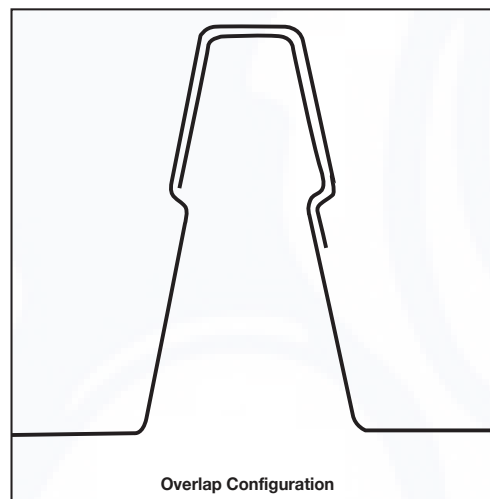


Recommended Fixings
 Timber: Spiral Shank Nails or 12G x 35mm screws
 Steel: Wafertek 12G x 16mm

Fixing Patterns – 1 clip per sheet per Purlin

Graph has been discounted by a 1.38 variability factor



Note: The intermediate spans shown in the graph to the left are based on G550 Steel as the base metal. To calculate end spans please multiply the intermediate span calculated by 0.66. Spans are based on restricted access. For alternative metals please contact your local Metalcraft branch.

Manufacturing locations: Auckland

Metdek500 is available for purchase from all Metalcraft branch locations.

0800 ROOFNZ

www.metalcraftroofing.co.nz