

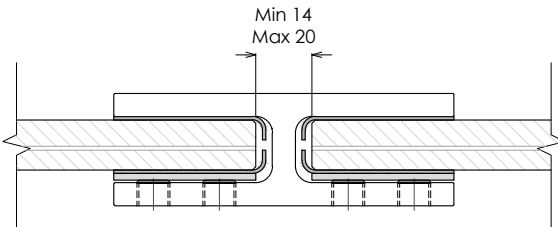
75MM SINGLEDISC MB75 BALUSTRADE SYSTEM

Stiffener Brackets

STRAIGHT BRACKET

13.5–15.5mm GLASS

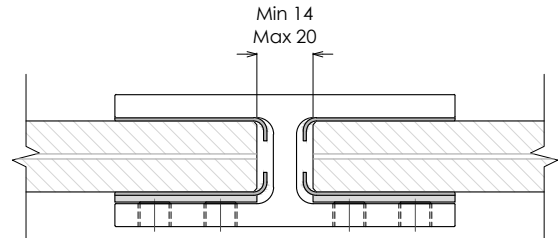
300149



STRAIGHT BRACKET

17.2 – 21.52mm GLASS

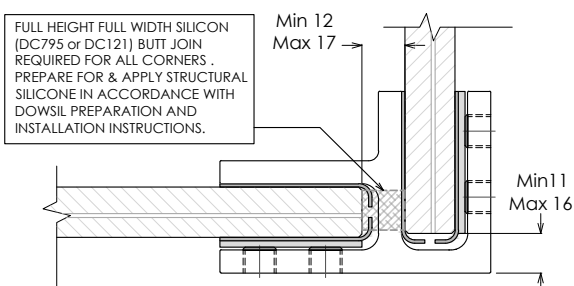
300150



CORNER BRACKET

13.5–15.5mm GLASS

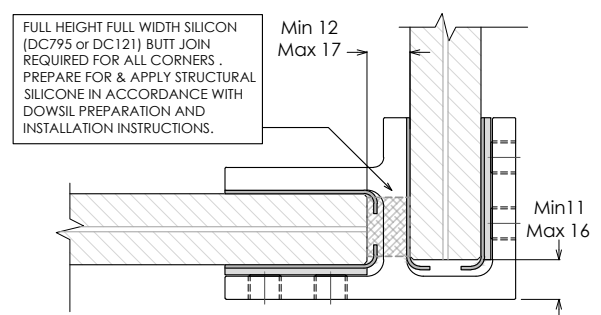
300151



CORNER BRACKET

17.2 – 21.52mm GLASS

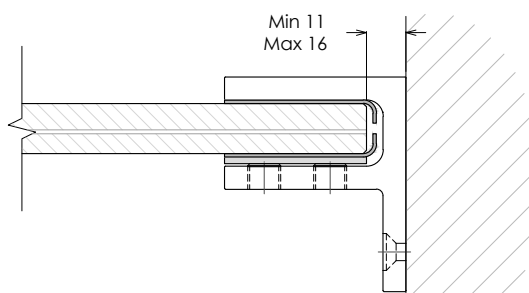
300152



WALL BRACKET

13.5–15.5mm GLASS

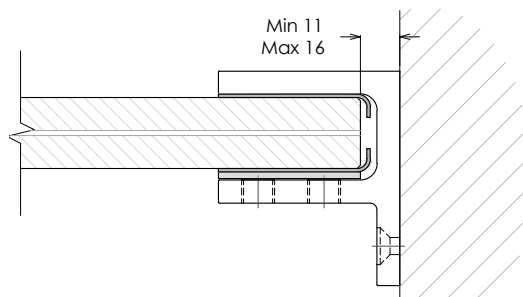
300153



WALL BRACKET

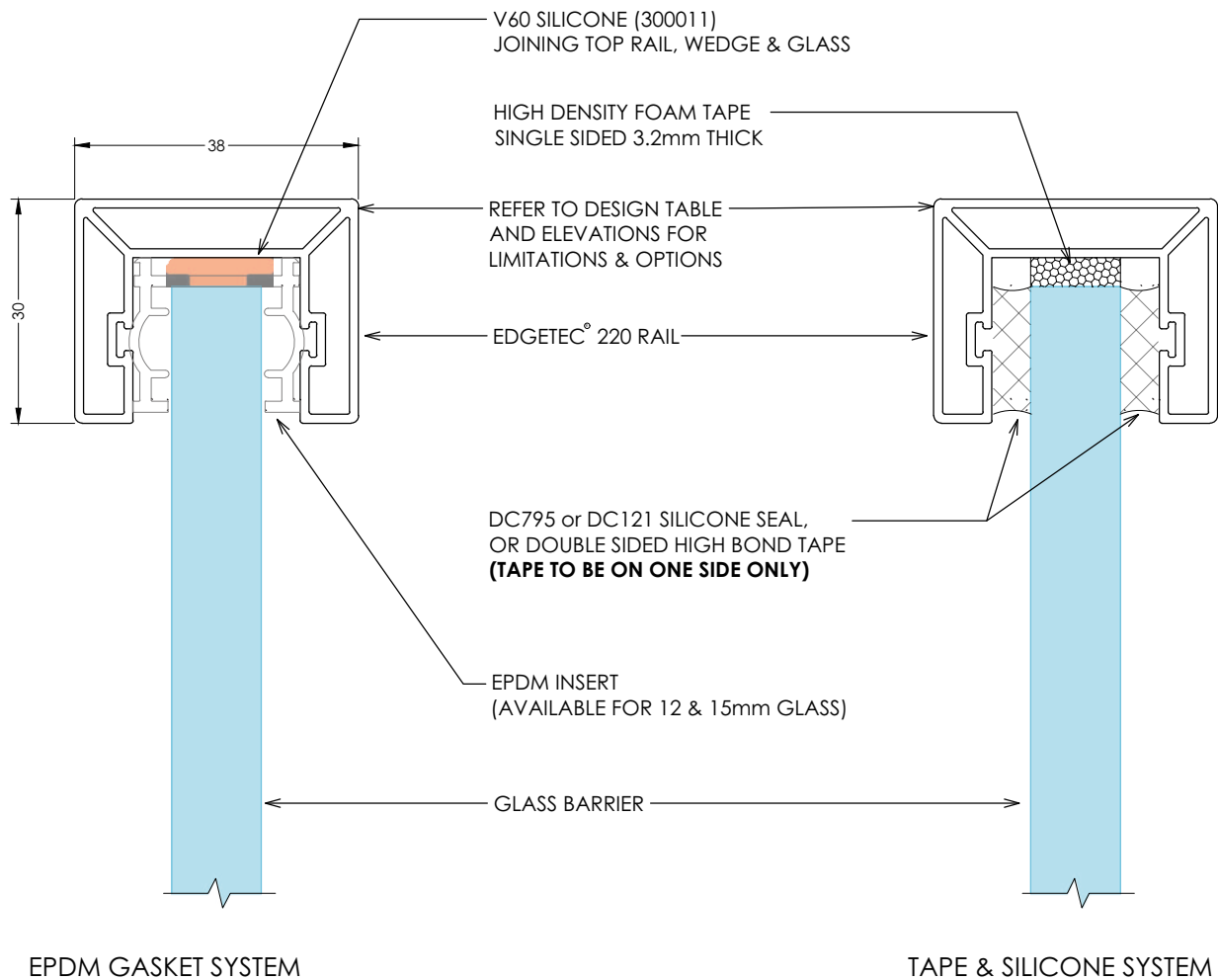
17.2 – 21.52mm GLASS

300154



75MM SINGLEDISC MB75 BALUSTRADE SYSTEM

Edgetec® 220 Link Rail



INSTALLATION NOTES:

1. Cut short lengths of gasket (nom 50mm) and place at approximately 700mm centres.
2. Cut / adjust interlinking rail to correct dimensions and test in position.
3. Remove all parts from glass barrier and install full cut lengths of gasket to top edge of glass barrier.
4. Assemble top rail, joiners and suitable end plates.
5. Place blobs of v60 silicone in every gasket hole.
6. Place top rail extrusion, joiners and end plates in position on glass barrier, clipping firmly to gasket.
7. Tape assembled components down to glass barrier and wait 24hrs to fully bond.
8. Clean up any excess silicone.

Note: rail ends must be attached to structure or structural post. Extrusion joints must have a suitable joiner plate

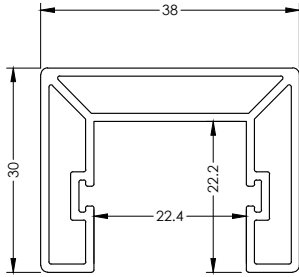
IMPORTANT NOTE: Conforming to NZS 4223.3.2016 and Building Code Clause B1/AS1 CI 7.3.1

75MM SINGLEDISC MB75 BALUSTRADE SYSTEM

Edgetec® 220 Link Rail

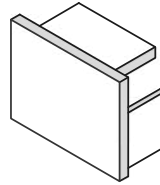
Edgetec® 220 Rail for 12mm & 15mm Glass

Full Length (5800mm) 300729
 Half Length (2900mm) 300726
 38x30mm



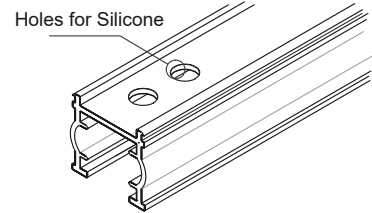
Edgetec® 220 Rail

End Cap (300494)
 38x30mm



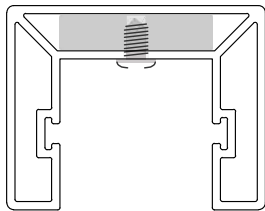
Edgetec® 220 Rail

Black EPDM Gasket (2900mm length)
 for 12mm Glass 300593
 for 15mm Glass 300594



Joiners: (After cutting extrusions to length)

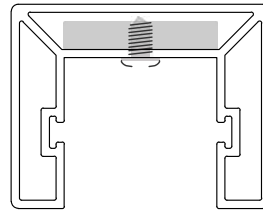
- With Joiner in place, spot drill from below for position
- Drill out to joiner to 3mm dia, extrusion to 4mm dia
- Use No 6 x 1/4in SS ST Pan sq drive Screw (301993)



Joiners both 22.5 x 5mm Aluminium

End Plates: (After cutting extrusions to length)

- With End Plate in place, spot drill from below for position
- Drill out to SS tab to 3mm dia, extrusion to 4mm dia
- Use No 6 x 1/4in SS ST Pan sq drive Screw (301993)
- End Plate must be securely attached to Post or structure.



End Plate
 Tabs all 22.5 x 4mm SS.

JOINERS NOM. 22.5 X 5MM ALUMINIUM

Edgetec® 220 Rail Inline Joiner (#300847)

80x22.5x5mm

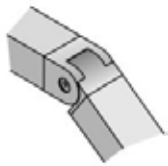


Edgetec® 220 Rail Fixed 90 Degree Joiner (#300848)

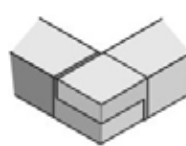
50x50x5mm



Edgetec® 220 Rail Vertical Adjustable Joiner (#301990)



Edgetec® 220 Rail Horizontal Fixed Joiner (#301985)



Edgetec® 220 Rail Horizontal Adjustable Joiner (#301988)



Edgetec® 220 Rail Wall Bracket Post End*

(#301992)
 60x46mm



Edgetec® 220 Rail Wall Bracket Left Hand

(#301004)
 120x45mm



Edgetec® 220 Rail Wall Bracket Right Hand

(#301006)
 120x45mm



Edgetec® 220 Rail Wall Bracket Post End

(#301149)
 100x45mm



* Suits AP65 Aluminium Post

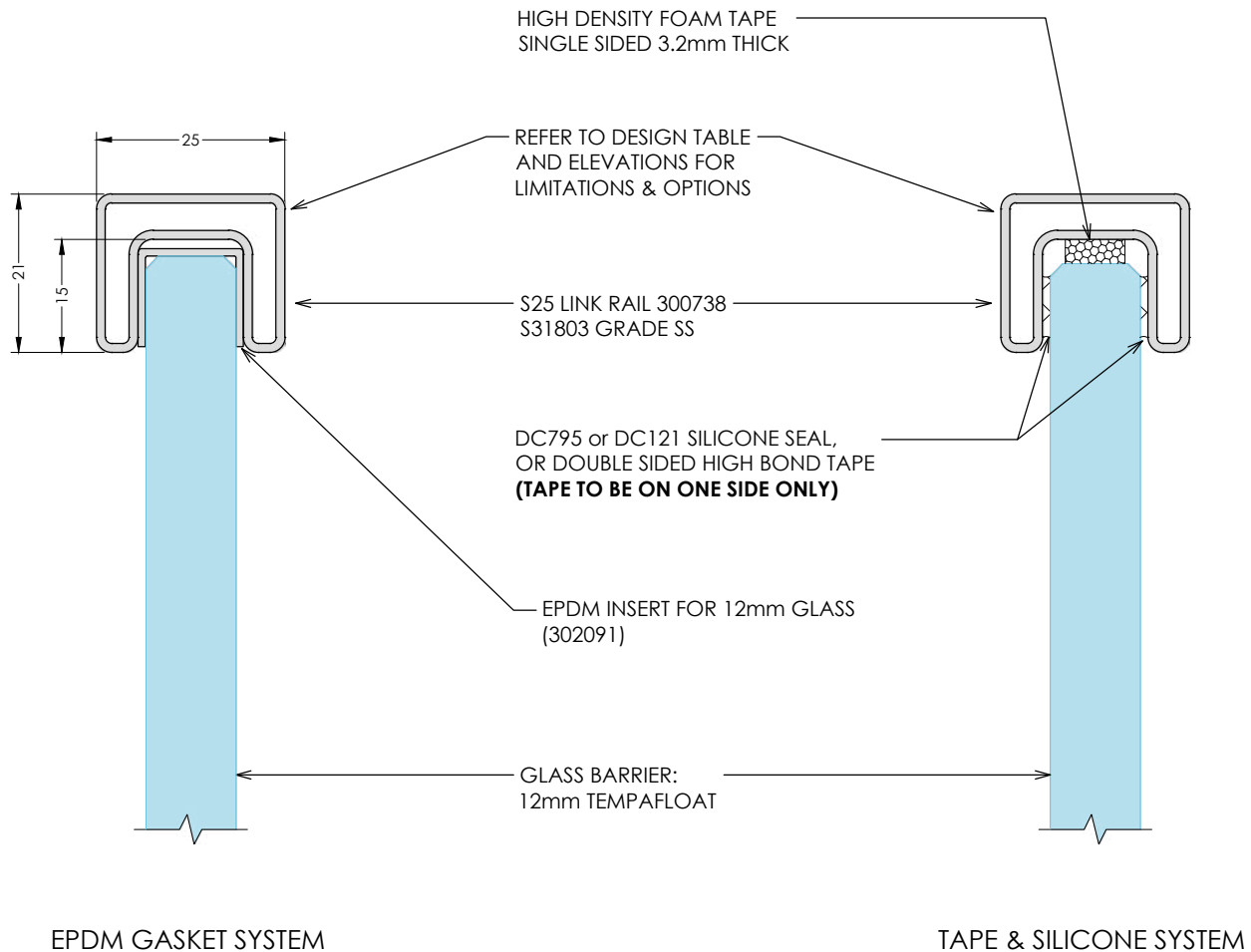
TABS ALL 22.5 X 4MM. FRONT FACES ALL 3MM.

IMPORTANT NOTE: Conforming to NZS 4223.3.2016 and Building Code Clause B1/AS1 Cl 7.3.1

75MM SINGLEDISC MB75 BALUSTRADE SYSTEM

S25 Link Rail

S25-01 S25 RAIL - TYPICAL INSTALLATIONS



NOTES:

- Interlinking rail details are only to be used on Metro Performance Glass Cantilevered glass balustrades.
- Prepare for and apply DC795 & DC121 structural silicone in accordance with Dow Corning preparation and installation instructions.
- Interlinking rail splice & corner connections are shown on drawings S25-02 & S25-03
- Interlinking rail end connection brackets & attachment details are shown on drawings S25-04 to S25-08.
- All screws to be stainless steel with a minimum ultimate shear strength of 3.5kN (per screw).
- Link rail section and connection pieces to be 318 grade stainless steel, in accordance with NZS 4673:2001.
- Refer to warranty & maintenance pages for periodic inspection, cleaning & maintenance requirements.

IMPORTANT NOTE: Conforming to NZS 4223.3.2016 and Building Code Clause B1/AS1 Cl 7.3.1

75MM SINGLEDISC MB75 BALUSTRADE SYSTEM

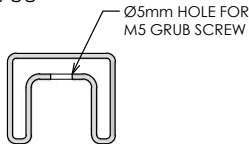
S25 Link Rail

S25-02

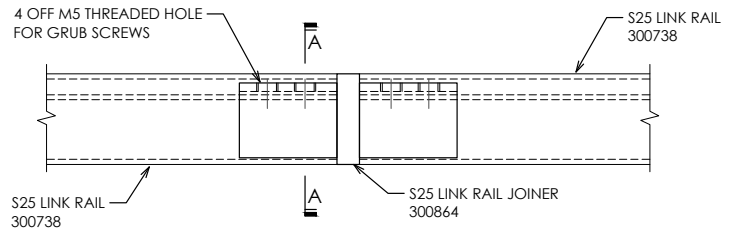
S25 RAIL - SPLICE CONNECTION DETAIL

All fixings to be stainless steel

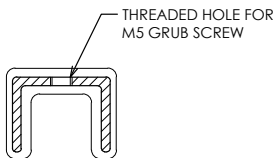
S25 LINK RAIL SECTION 300738



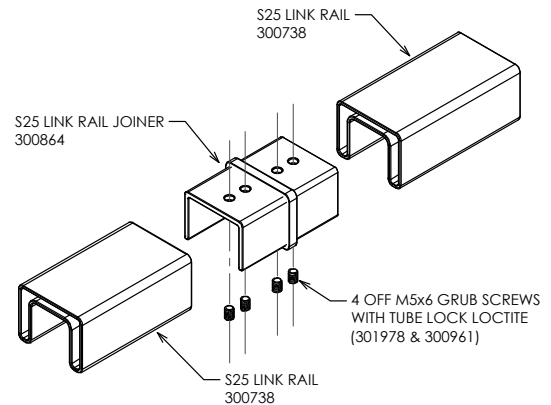
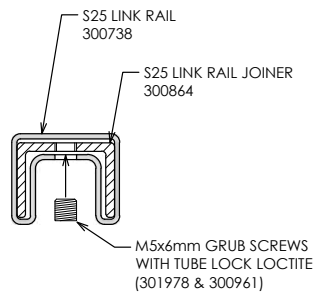
S25 LINK RAIL - SPLICE CONNECTION ELEVATION



S25 LINK RAIL INLINE JOINER 300852



SECTION A-A

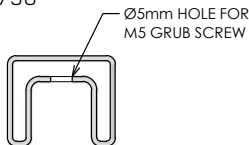


S25-03

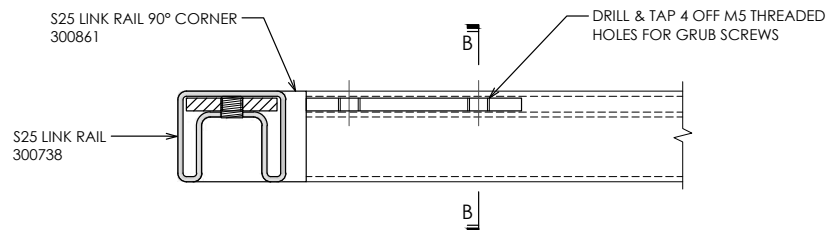
S25 RAIL - 90° CORNER CONNECTION DETAIL

All fixings to be stainless steel

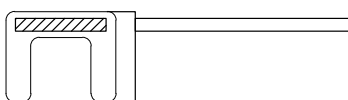
S25 LINK RAIL SECTION 300738



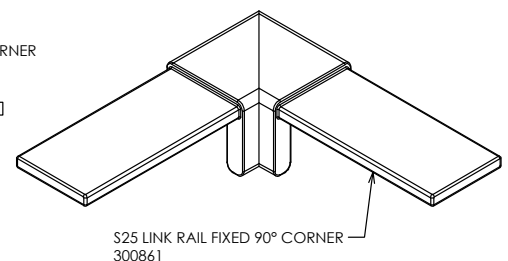
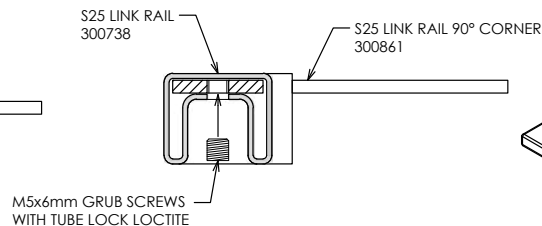
S25 LINK RAIL - 90° CORNER CONNECTION ELEVATION



S25 LINK RAIL 90° CORNER 300861



SECTION B-B



IMPORTANT NOTE: Conforming to NZS 4223.3.2016 and Building Code Clause B1/AS1 Cl 7.3.1

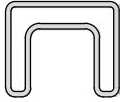
75MM SINGLEDISC MB75 BALUSTRADE SYSTEM

S25 Link Rail

S25-04 S25 RAIL WALL BRACKET

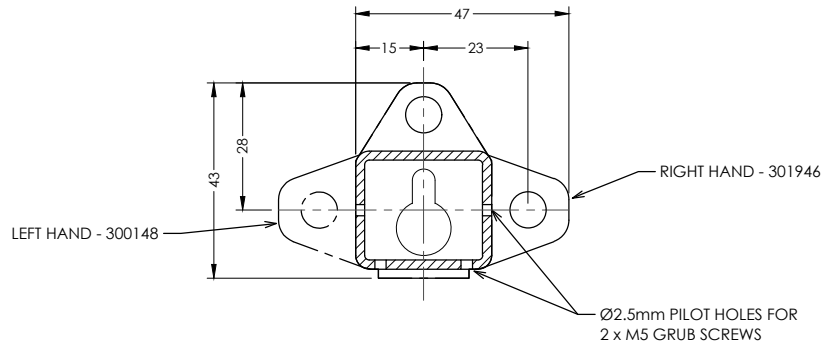
All fixings to be stainless steel

S25 LINK RAIL SECTION 300738

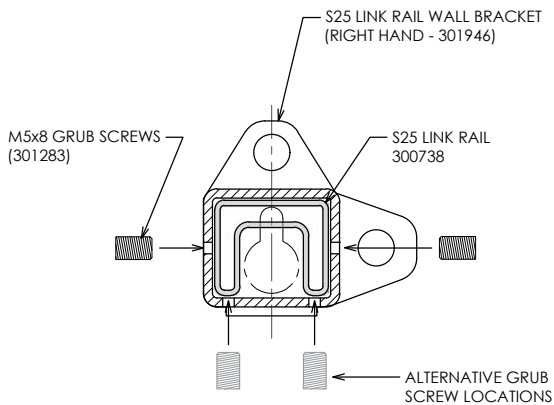


S25 LINK RAIL WALL BRACKET

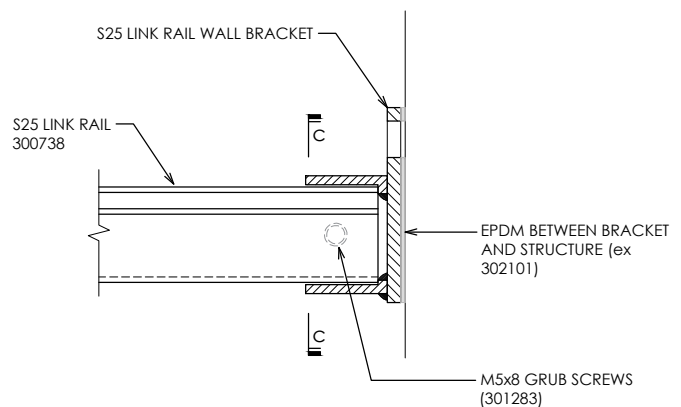
RIGHT HAND - 301946 LEFT HAND - 300148



SECTION C-C



S25 LINK RAIL - END BRACKET SECTION

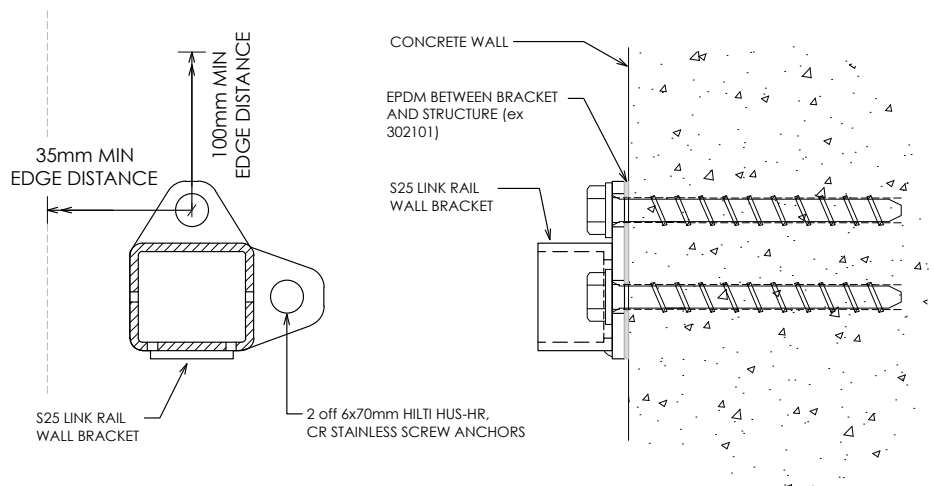


S25-05 S25 RAIL - END BRACKET CONCRETE WALL ATTACHMENT

All fixings to be stainless steel

NOTES:

1. Concrete wall is to be designed by project structural engineer for loads imposed by balustrade. ULS Point load, $n^* = 0.9\text{kN}$ - Inwards, outwards or down.
2. Concrete wall to be minimum 140mm thick.
3. Concrete wall must be reinforced & is to be designed & detailed in accordance with NZS3101.
4. Minimum concrete strength = 20MPa.



IMPORTANT NOTE: Conforming to NZS 4223.3.2016 and Building Code Clause B1/AS1 Cl 7.3.1

75MM SINGLEDISC MB75 BALUSTRADE SYSTEM

S25 Link Rail

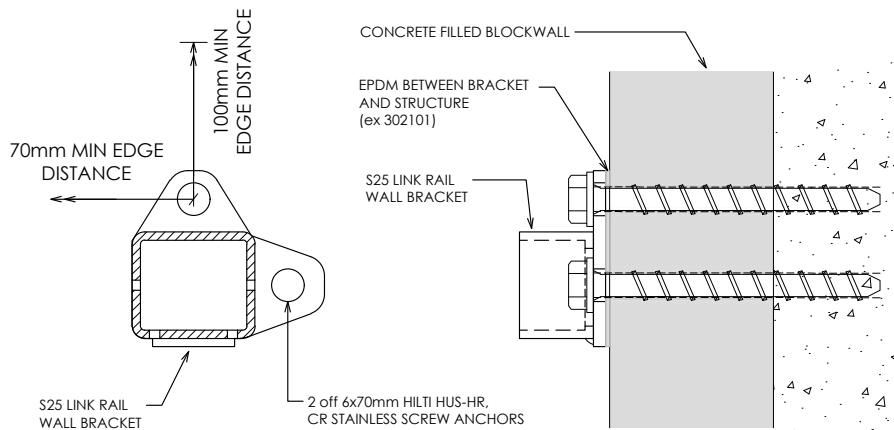
S25-06

S25 RAIL - END BRACKET BLOCKWALL ATTACHMENT

All fixings to be stainless steel

NOTES:

1. Blockwall is to be designed by project structural engineer for loads imposed by balustrade. ULS point load, $n^* = 0.9\text{kN}$ - inwards, outwards or down.
2. Minimum blockwall thickness = 140mm.
3. Blockwall must be corefilled / reinforced & is to be designed & detailed in accordance with NZS4230 or NZS4229.
4. Minimum corefill concrete strength = 17.5MPa.



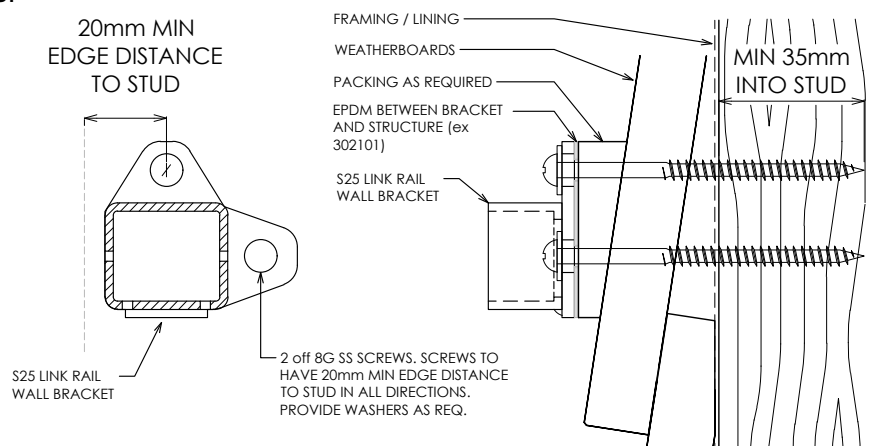
S25-07

S25 RAIL - END BRACKET WEATHERBOARD ATTACHMENT

All fixings to be stainless steel

NOTES:

1. Timber stud wall is to be designed by project structural engineer for loads imposed by balustrade. ULS point load, $n^* = 0.9\text{kN}$ - inwards, outwards or down.
2. Minimum stud size = 90x45.
3. Minimum timber grade = SG8.
4. Timber stud wall to be designed & detailed in accordance with NZS3603 or NZS3604.



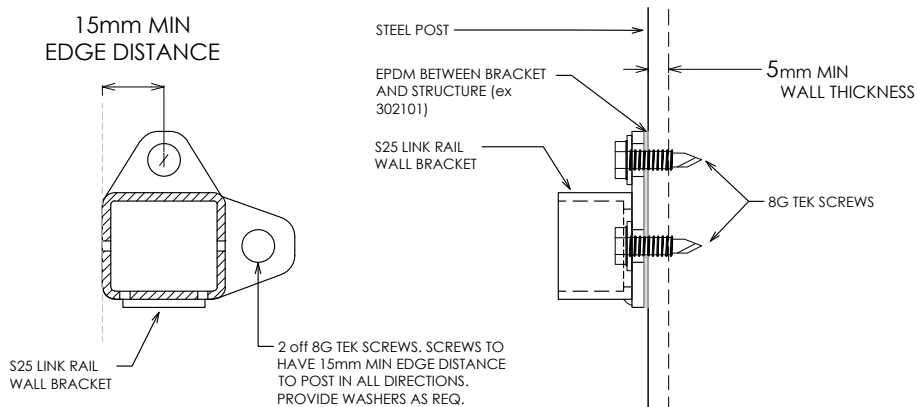
S25-08

S25 RAIL - END BRACKET STEEL POST ATTACHMENT

All fixings to be stainless steel

NOTES:

1. Steel post is to be designed by project structural engineer for loads imposed by balustrade. ULS point load, $n^* = 0.9\text{kN}$ - inwards, outwards or down.
2. Building designer to ensure durability requirements of connection are met.
3. Minimum steel post wall thickness = 5mm.
4. Minimum steel grade = 300MPa.

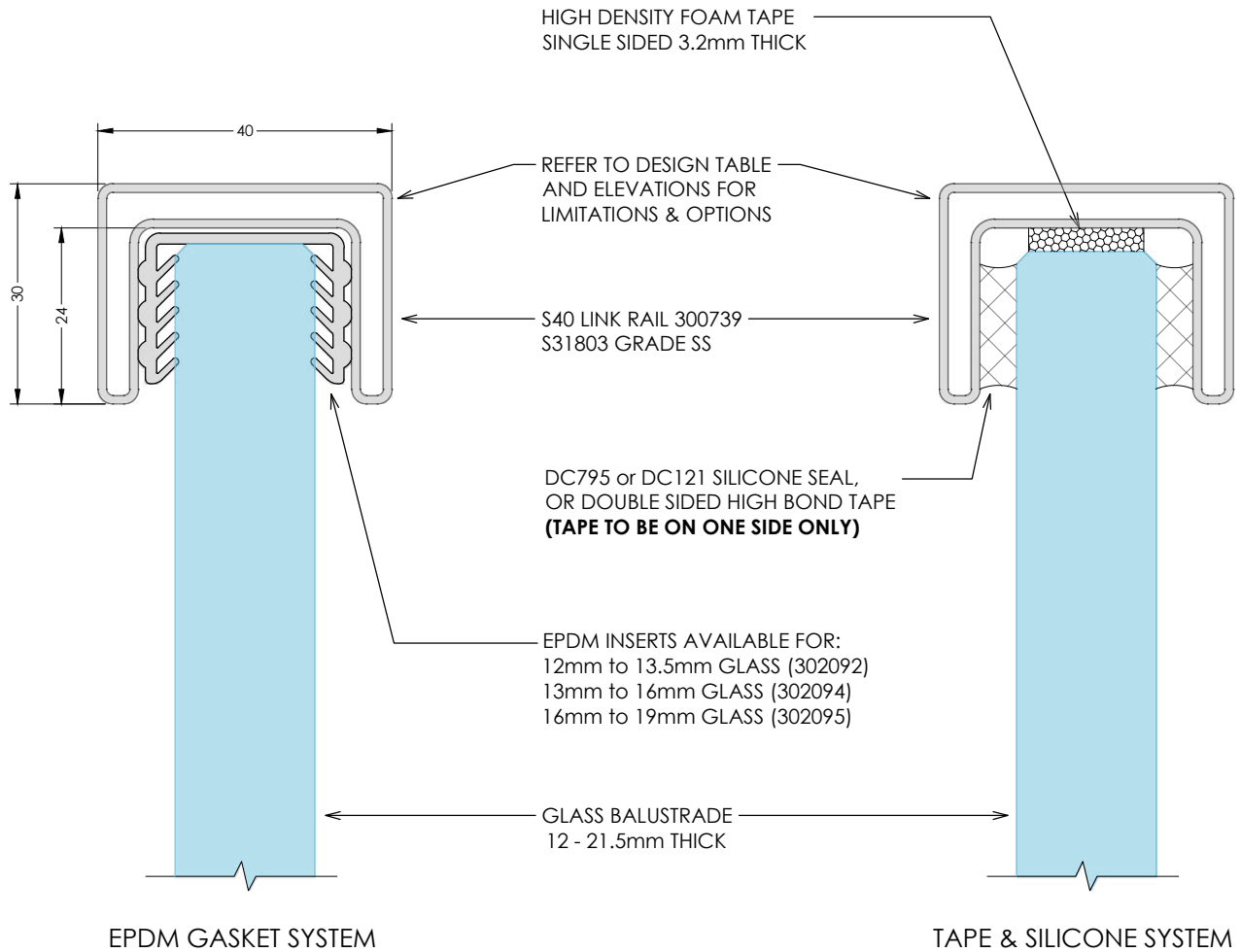


IMPORTANT NOTE: Conforming to NZS 4223.3.2016 and Building Code Clause B1/AS1 Cl 7.3.1

75MM SINGLEDISC MB75 BALUSTRADE SYSTEM

S40 Link Rail

S40-01 S40 RAIL - TYPICAL INSTALLATIONS



NOTES:

1. Interlinking rail details are only to be used on Metro Performance Glass Cantilevered glass balustrades.
2. Prepare for and apply DC795 & DC121 structural silicone in accordance with Dow Corning preparation and installation instructions.
3. Interlinking rail splice & corner connections are shown on drawings S40-02 & S40-03.
4. Interlinking rail end connection brackets & attachment details are shown on drawings S40-04 to S40-08.
5. All screws to be stainless steel with a minimum ultimate shear strength of 3.5kN (per screw).
6. Link rail section and connection pieces to be 318 grade stainless steel, in accordance with NZS 4673:2001.
7. Refer to warranty & maintenance pages for periodic inspection, cleaning & maintenance requirements.

IMPORTANT NOTE: Conforming to NZS 4223.3.2016 and Building Code Clause B1/AS1 CI 7.3.1

75MM SINGLEDISC MB75 BALUSTRADE SYSTEM

S40 Link Rail

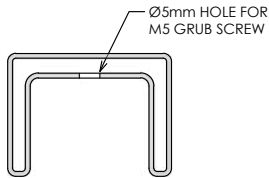
S40-02

S40 RAIL - SPLICE CONNECTION DETAIL

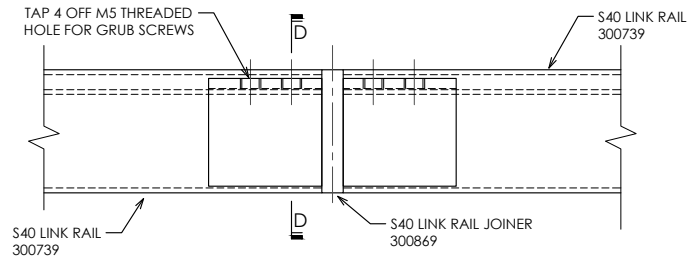
All fixings to be stainless steel

S40 LINK RAIL SECTION

300739

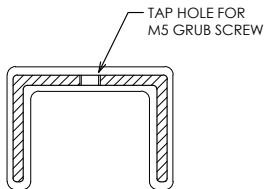


S40 LINK RAIL - SPLICE CONNECTION ELEVATION

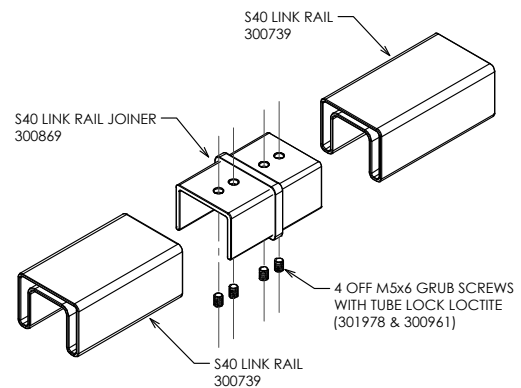
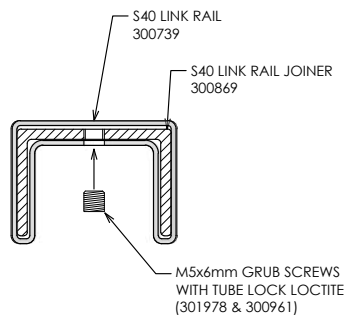


S40 LINK RAIL INLINE JOINER

300869



SECTION D-D



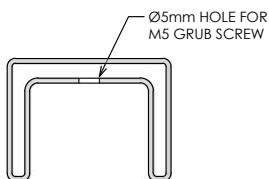
S40-03

S40 RAIL - 90° CORNER CONNECTION DETAIL

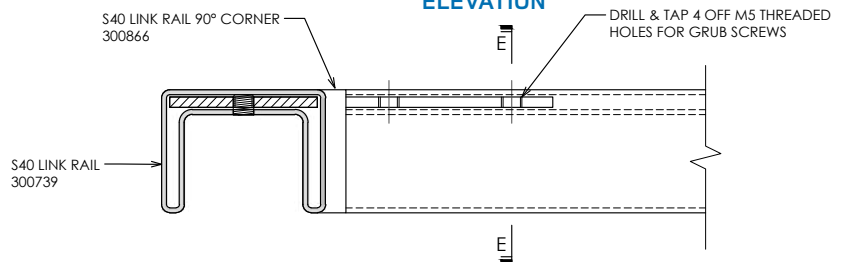
All fixings to be stainless steel

S40 LINK RAIL SECTION

300739

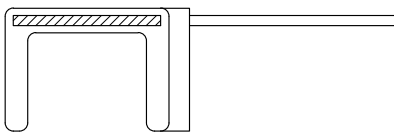


S40 LINK RAIL - 90° CORNER CONNECTION ELEVATION

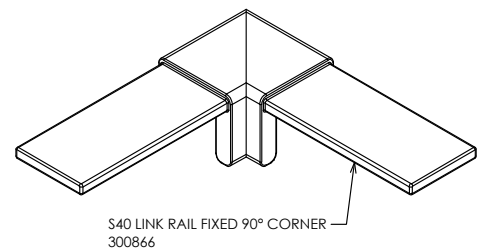
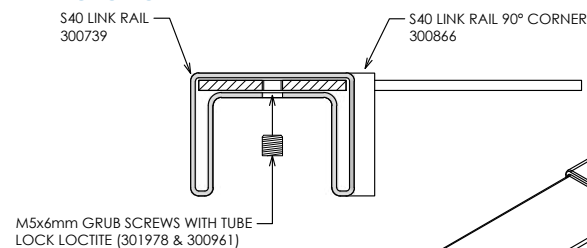


S40 LINK RAIL 90° CORNER

300866



SECTION E-E



IMPORTANT NOTE: Conforming to NZS 4223.3.2016 and Building Code Clause B1/AS1 Cl 7.3.1

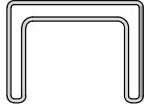
75MM SINGLEDISC MB75 BALUSTRADE SYSTEM

S40 Link Rail

S40-04 S40 RAIL WALL BRACKET

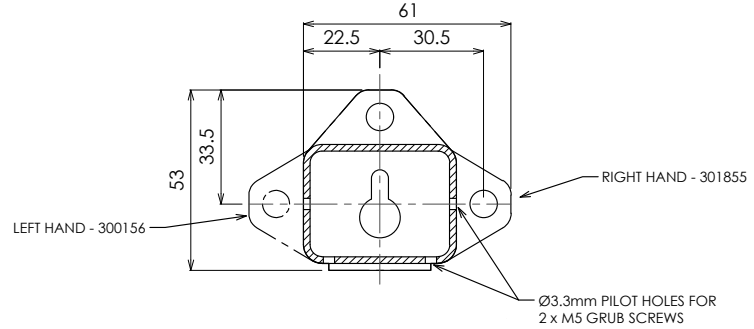
All fixings to be stainless steel

S40 LINK RAIL SECTION 300739

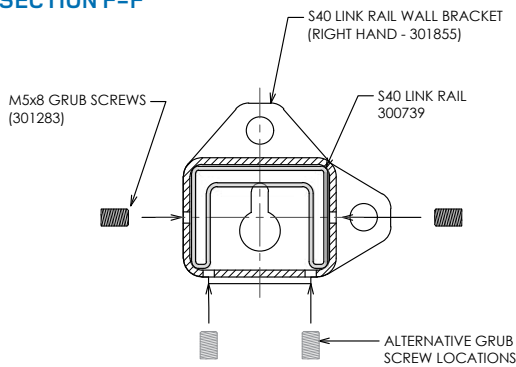


S40 LINK RAIL WALL BRACKET

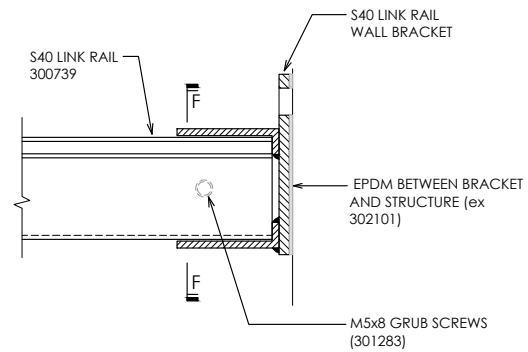
RIGHT HAND - 301855
LEFT HAND - 300156



SECTION F-F



S40 LINK RAIL - END BRACKET SECTION

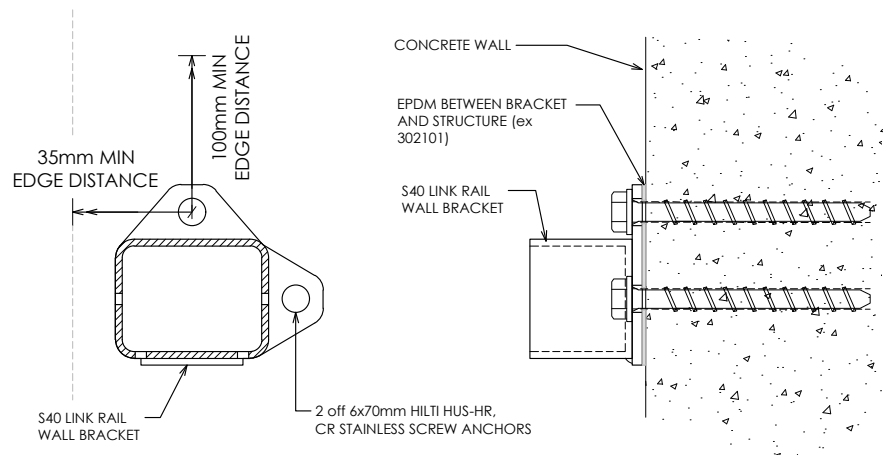


S40-05 S40 RAIL - END BRACKET CONCRETE WALL ATTACHMENT

All fixings to be stainless steel

NOTES:

1. Concrete wall is to be designed by project structural engineer for loads imposed by balustrade. ULS point load, $n^* = 0.9\text{kN}$ - inwards, outwards or down.
2. Concrete wall to be minimum 140mm thick.
3. Concrete wall must be reinforced & is to be designed & detailed in accordance with NZS3101.
4. Minimum concrete strength = 20MPa.



IMPORTANT NOTE: Conforming to NZS 4223.3.2016 and Building Code Clause B1/AS1 Cl 7.3.1

75MM SINGLEDISC MB75 BALUSTRADE SYSTEM

S40 Link Rail

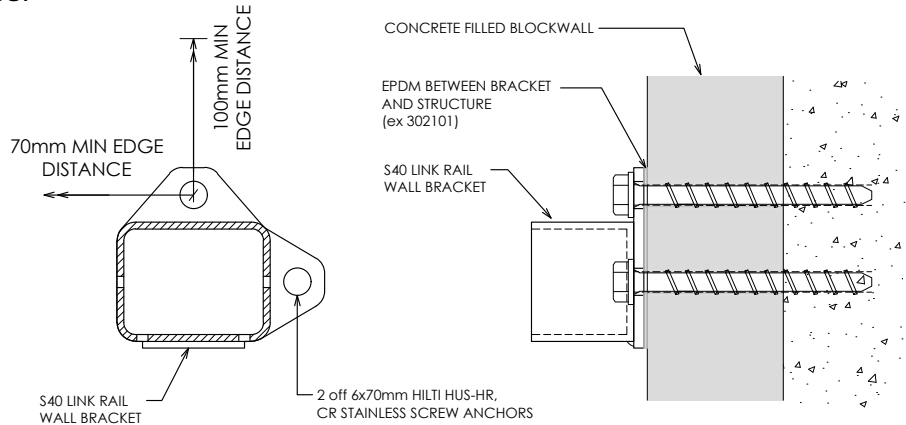
S40-06

S40 RAIL - END BRACKET BLOCKWALL ATTACHMENT

All fixings to be stainless steel

NOTES:

1. Blockwall is to be designed by project structural engineer for loads imposed by balustrade. ULS point load, $n^* = 0.9\text{kN}$ - inwards, outwards or down.
2. Minimum blockwall thickness = 140mm.
3. Blockwall must be corefilled / reinforced & is to be designed & detailed in accordance with NZS4230 or NZS4229.
4. Minimum corefill concrete strength = 17.5MPa.



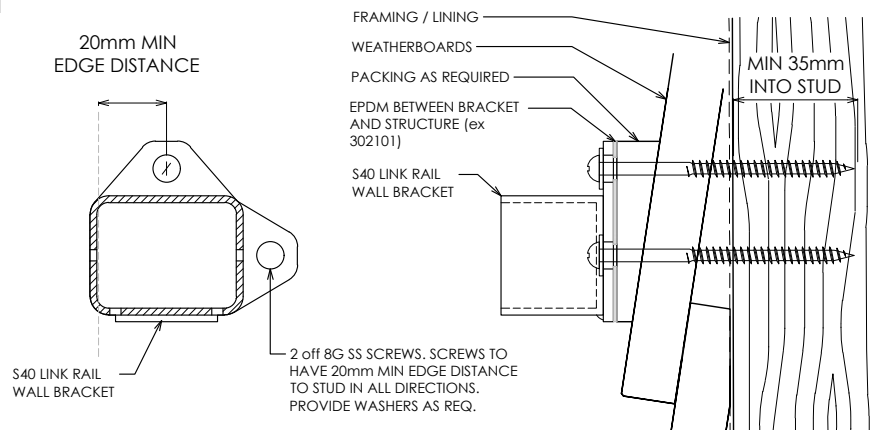
S40-07

S40 RAIL - END BRACKET WEATHERBOARD ATTACHMENT

All fixings to be stainless steel

NOTES:

1. Timber stud wall is to be designed by project structural engineer for loads imposed by balustrade. ULS point load, $n^* = 0.9\text{kN}$ - inwards, outwards or down.
2. Minimum stud size = 90x45.
3. Minimum timber grade = SG8.
4. Timber stud wall to be designed & detailed in accordance with nzs3603 or NZS3604.



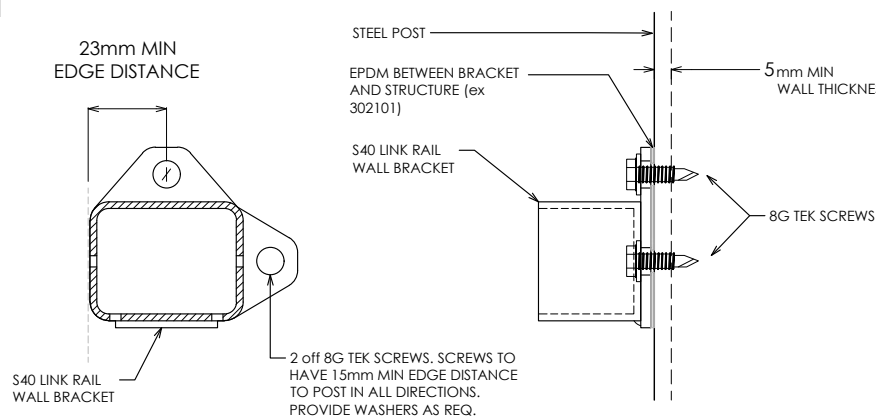
S40-08

S40 RAIL - END BRACKET STEEL POST ATTACHMENT

All fixings to be stainless steel

NOTES:

1. Steel post is to be designed by project structural engineer for loads imposed by balustrade. ULS point load, $n^* = 0.9\text{kN}$ - inwards, outwards or down.
2. Building designer to ensure durability requirements of connection are met.
3. Minimum steel post wall thickness = 5mm.
4. Minimum steel grade = 300MPa.



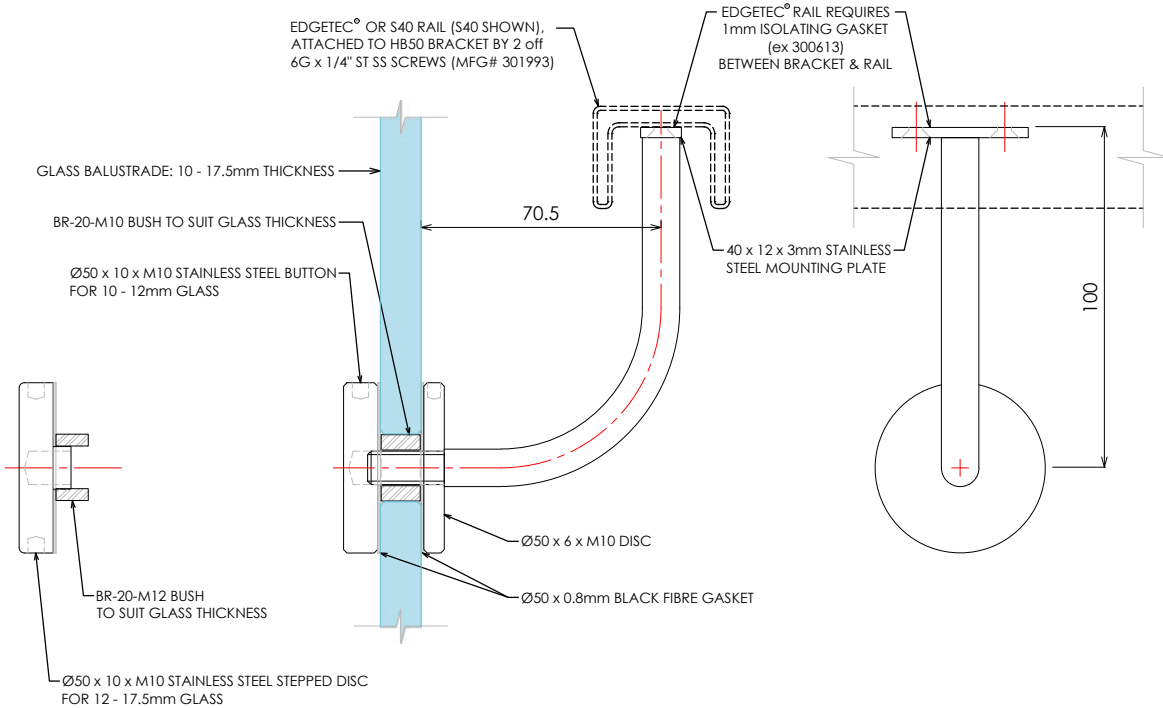
IMPORTANT NOTE: Conforming to NZS 4223.3.2016 and Building Code Clause B1/AS1 Cl 7.3.1

75MM SINGLEDISC MB75 BALUSTRADE SYSTEM

HB50 Rail Brackets

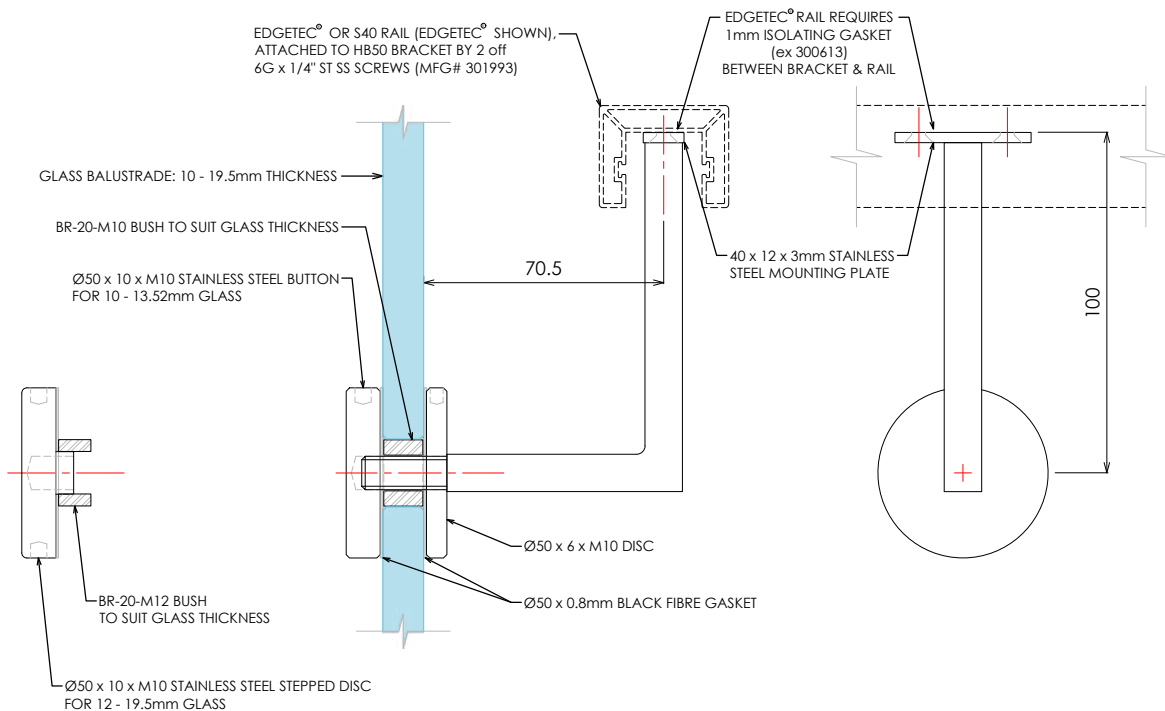
HB50-R-90 HANDRAIL BRACKET

All fixings to be stainless steel



HB50-S-90 HANDRAIL BRACKET

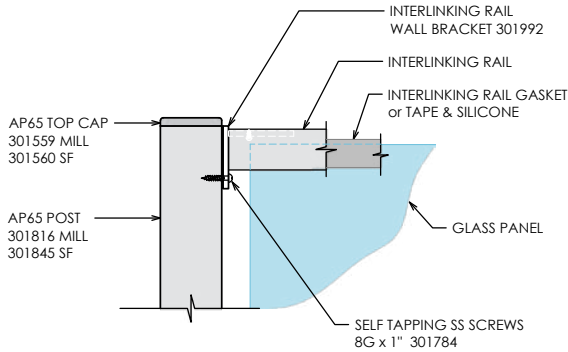
All fixings to be stainless steel



75MM SINGLEDISC MB75 BALUSTRADE SYSTEM

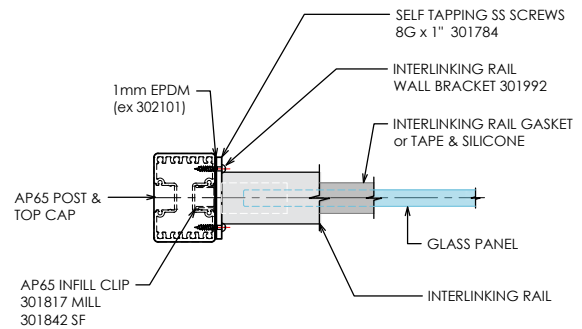
For attaching EDGETEC® 220 S25 & S40 (on glass) to a Semi Frameless AP65 Post Interlinking Top Rail (where wall fixing not suitable)

AP65 Structural Post & Edgetec® 220 Rail Side Elevation



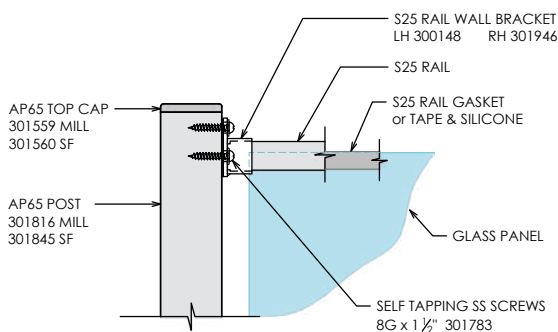
AP65 Structural Post & Edgetec® Rail Side Elevation

AP65 Structural Post & Edgetec® 220 Rail Plan

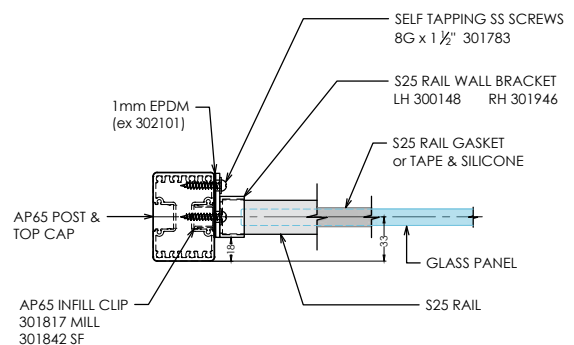


AP65 Structural Post & Edgetec® Rail Plan

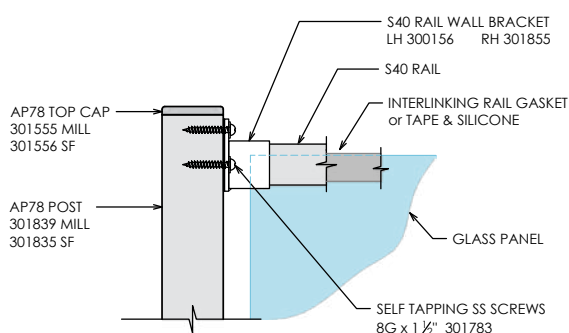
AP65 Structural Post & S25 Rail Side Elevation



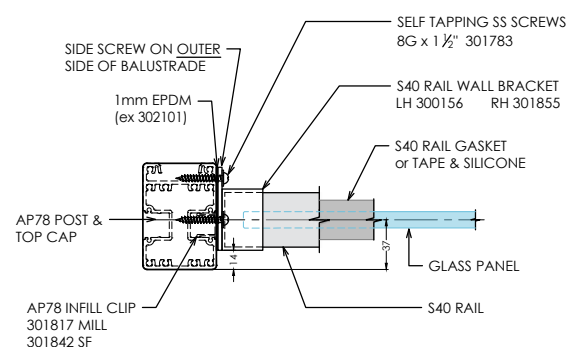
AP65 Structural Post & S25 Rail Plan



AP78 Structural Post & S40 Rail Side Elevation



AP78 Structural Post & S40 Rail Plan

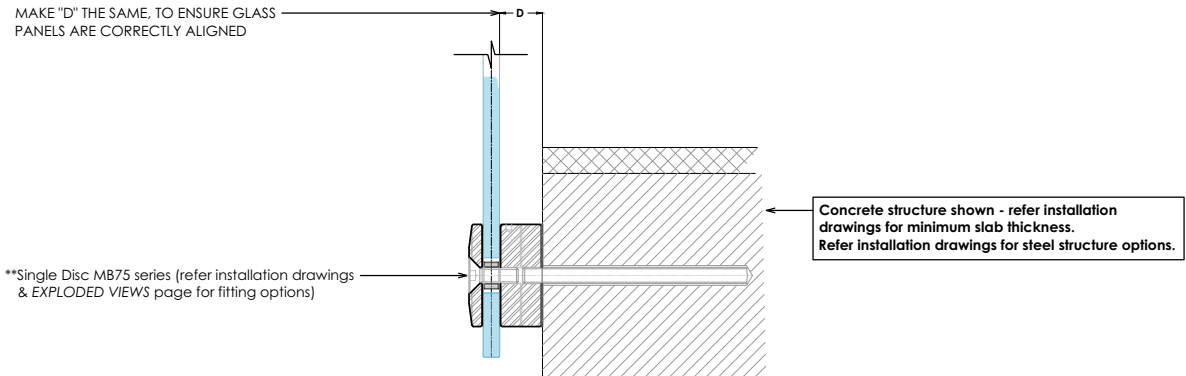


IMPORTANT NOTE: Conforming to NZS 4223.3.2016 and Building Code Clause B1/AS1 CI 7.3.1

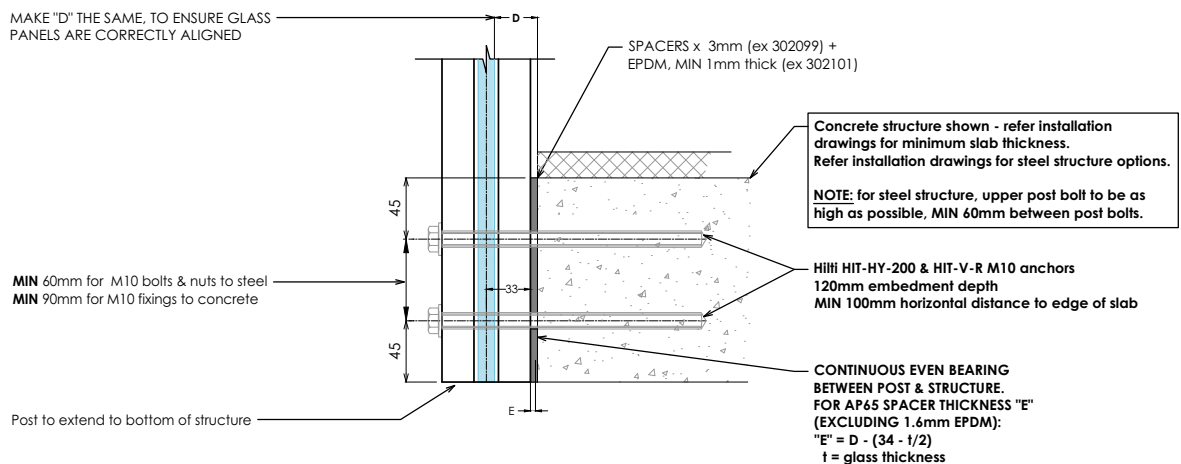
75MM SINGLEDISC MB75 BALUSTRADE SYSTEM

For attaching EDGETEC® 220 S25 & S40 (on glass) to a Semi Frameless AP65 Post Interlinking Top Rail (where wall fixing not suitable)

SingleDisc MB75 Balustrade System



AP65 Semi Frameless Post Extrusion Side Fix Post as an end Post for Edgetec® 220 & S25 Rails



AP78 Semi Frameless Post Extrusion Side Fix Post as an end Post for S40 Rail

