

ECO-M – Environmental Ceiling Outlet

Model: **ECO–Manual**

Description

The ECO Manual Diffuser is a supply or return air diffuser made from an Engineering Polymer. It has a simple, visually appealing style that is suitable in commercial and domestic buildings alike. The central diffusion cone of the ECO can be adjusted up or down by hand to control the air volume being supplied. For ‘shut off’ the cone can be adjusted fully home to stop the air supply completely.

Performance

The radial supply air pattern of the ECO Manual creates a strong ceiling effect resulting in a draft-less environment. The strong ceiling effect allows it to be used in Variable Air Volume applications.

Installation

The ECO Manual is very easy to install. A hole is created in the ceiling using the supplied template. The ECO can then be offered up to the ceiling and the ducting attached. The neck of the ECO is then inserted through the hole in the ceiling enabling the four retaining legs to snap over retaining the ECO tightly on the ceiling. The ECO can be mounted into both solid and suspended ceilings with little fuss using the automatic snap over retaining legs.

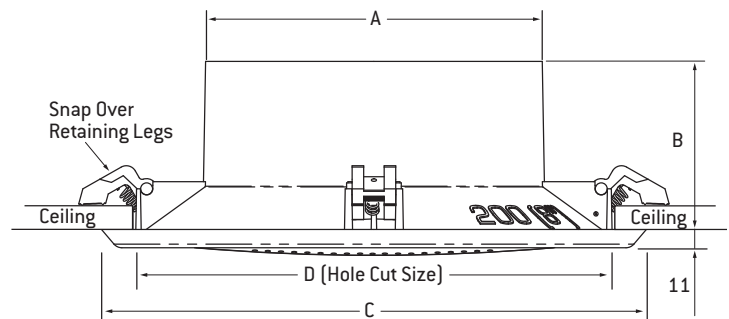
Retrofit Installation

The ECO Manual fits into the same sized hole as other similar types of diffuser. In addition the slightly larger diameter outer flange covers any imperfections in the ceiling finish that may have been left when the original diffuser was removed.

Construction and Finish

The ECO is constructed of a tough UV stabilised and fire rated engineering polymer. The colour of the ECO is White. All visible surfaces have a textured finish.

Environmental Ceiling Outlet



ECO-M	A (mm)	B (mm)	C (mm)	D (mm)
150	147	100	269	240 ± 5
200	197	100	319	290 ± 5
250	247	108	391	360 ± 5

Model: **ECO - M**

Horizontal Radial Throw (Isothermal Air).

Nominal Duct Size	Flow Rate [l/s]	25	50	75	100	125	150	175	200	225	250	275	NC
150mm Diameter	Horizontal @ 0.75 m/s	-	0.5	1.0	1.3	1.6							
	Radial @ 0.50 m/s	0.4	1.1	1.5	2.1	2.4							
	Throw (m) @ 0.25 m/s	0.9	1.8	2.4	3.0	3.6							
	NC	18	22	24	27	35							
200mm Diameter	Horizontal @ 0.75 m/s	-	-	0.8	1.2	1.3	1.9	2.5					
	Radial @ 0.50 m/s	-	0.9	1.2	1.8	2.0	2.5	3.0					
	Throw (m) @ 0.25 m/s	-	1.5	2.3	2.8	3.2	3.7	4.1					
	NC	-	-	-	14	18	24	27					
250mm Diameter	Horizontal @ 0.75 m/s	-	-	0.7	1.1	1.2	1.8	2.3	2.4	2.5	2.7	3.1	
	Radial @ 0.50 m/s	-	0.8	1.1	1.6	1.8	2.4	2.7	3.0	3.3	3.9	4.2	
	Throw (m) @ 0.25 m/s	-	1.3	2.2	2.4	3.0	3.6	3.9	4.2	4.8	5.1	5.4	
	NC	-	-	-	-	-	14	16	18	22	27	31	

ECO-M & SM Size	Weight in Kg
150	0.8
200	1.1
250	1.6

Note

Seismic restraints required, but not supplied.