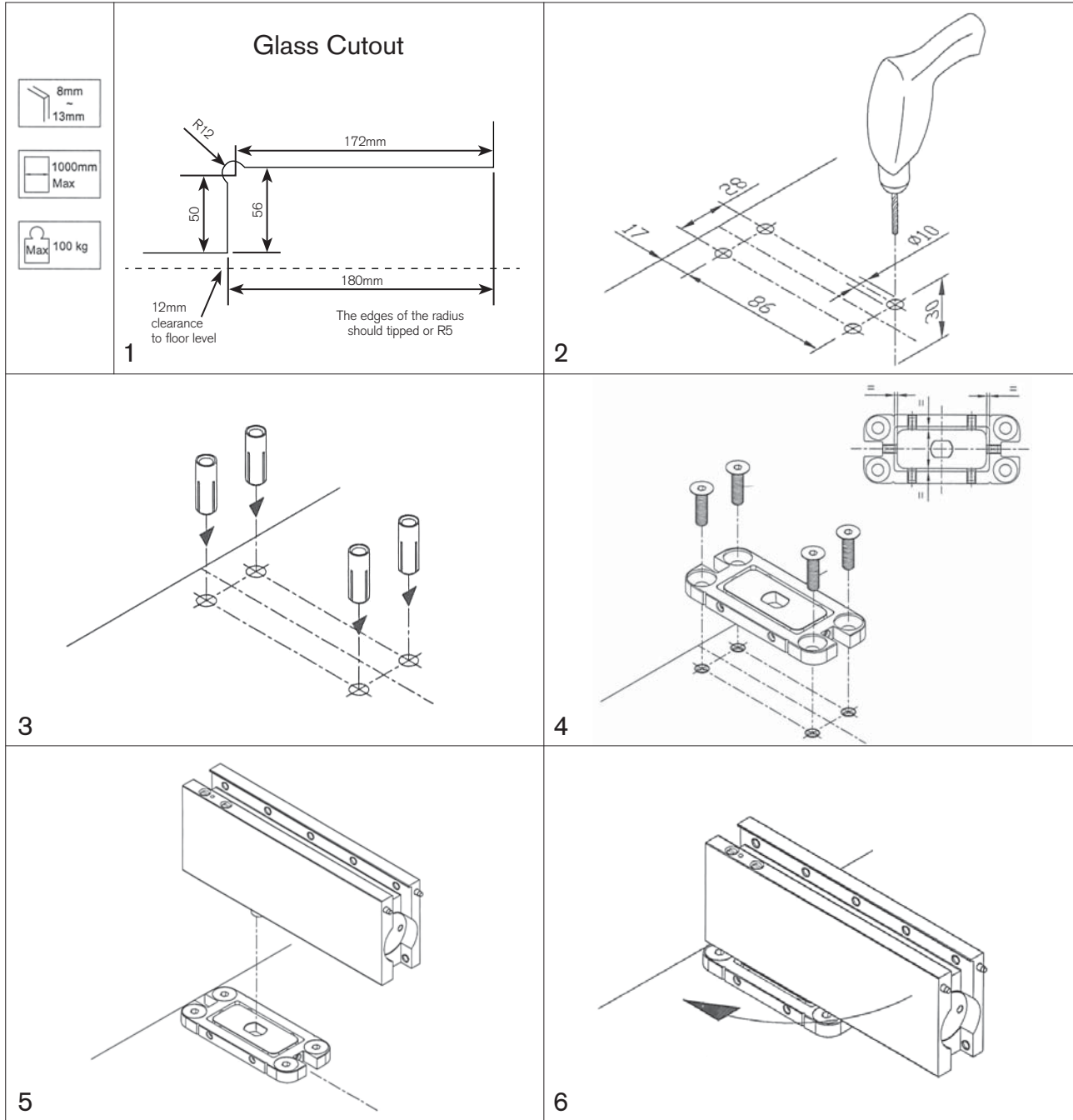


## FRAMELESS COMMERCIAL HARDWARE

### Ozone Self Closing Hydraulic Patch Cutout & Installation



Once the patch is at 90° to the base the gaskets can be added and the door slid onto the patch and clamped in place by tightening up the screws on the side. The door speed and break speed can then be adjusted to suit your requirements, then the cover caps clipped in place to complete the installation.