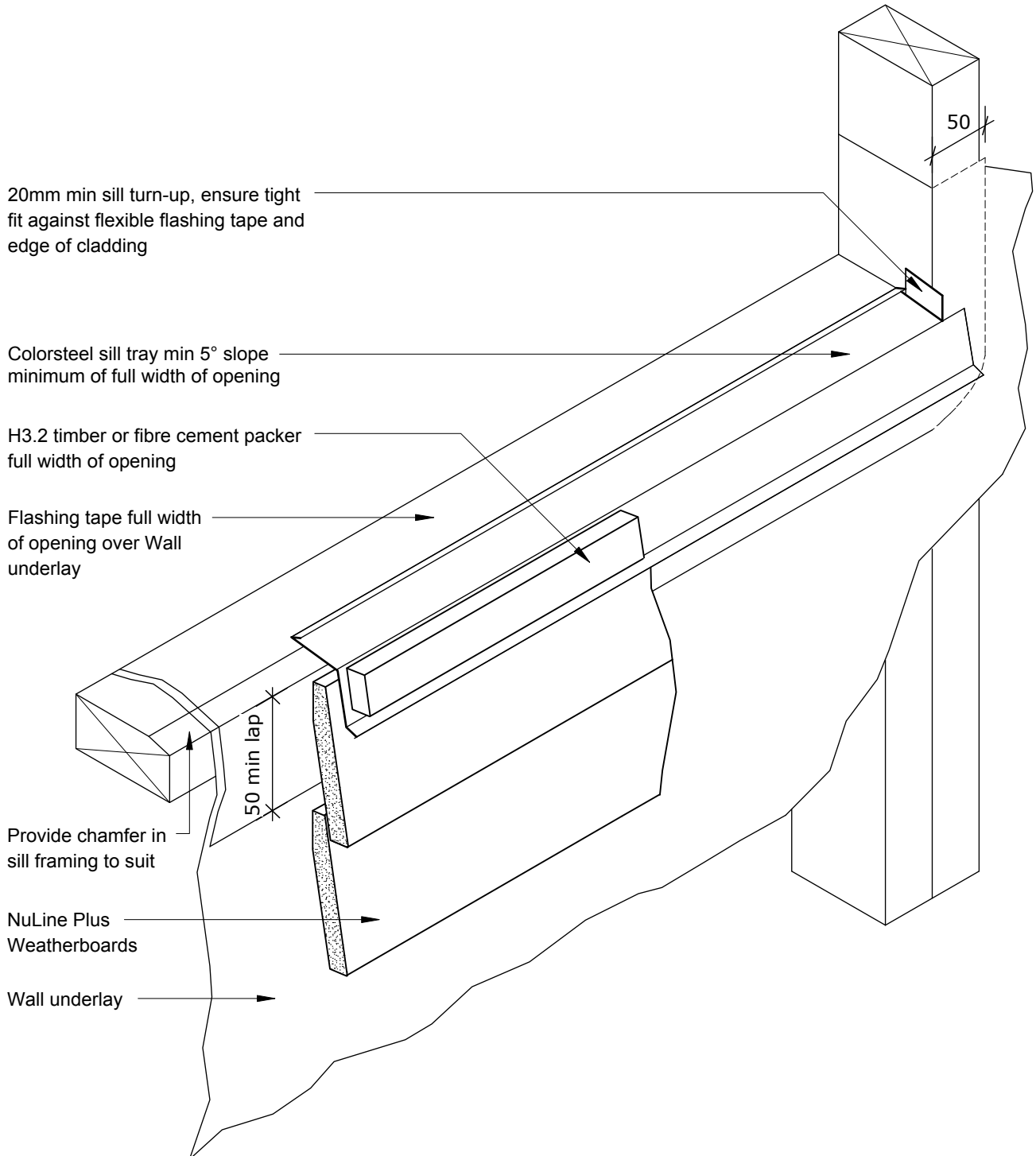


**BGC****Fibre Cement**

PROFILE NuLine™ Plus Weatherboards

DATE Sep 2012

DETAIL Window Sill/Jamb Junction  
Detail Direct Fixed

SCALE 1:5 @ A4

DETAIL NO. NU-27 D