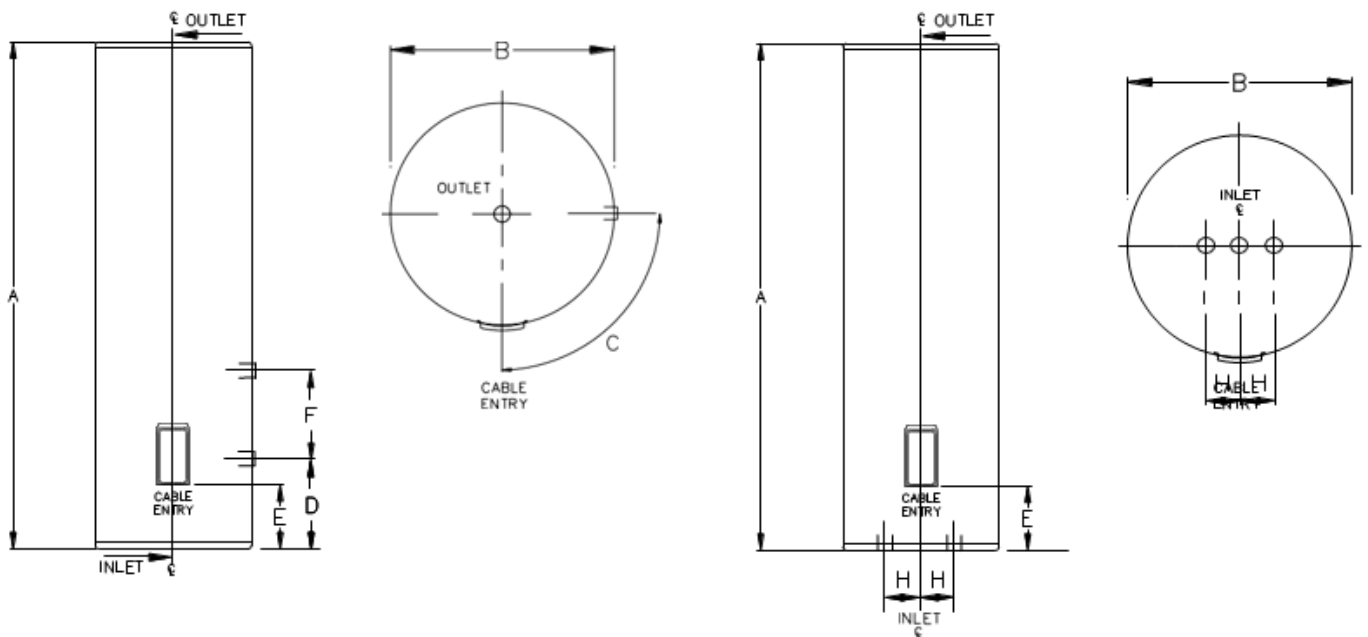


LOW PRESSURE – COPPER WETBACK

Model	Approx. Storage Capacity	Dimensions w x h (mm)	Element Rating (kW)	Connection
145 135 13	135L	560 x 955H	2	BCRL
165 135 13	135L	510 x 1140H	2	BCRL
185 135 13	135L	460 x 1465H	2	BCRL
125 180 15	180L	610 x 1020H	3	BCRL
143 180 15	180L	560 x 1220H	3	RHSC
144 180 15	180L	560 x 1220H	3	LHSC
145 180 15	180L	560 x 1220H	3	BCRL
545 180 13	180L	540 x 1355H	2	BCRL
545 180 15	180L	540 x 1355H	3	BCRL
165 180 15	180L	510 x 1510H	3	BCRL
145 225 15	225L	610 x 1250H	3	BCRL
165 225 15	225L	560 x 1520H	3	BCRL
145 270 15	270L	610 x 1465H	3	BCRL
165 270 15	270L	560 x 1800H	3	BCRL

WETBACK CYLINDERS



Right Side Connection Cylinder (143)

Bottom Connection Cylinder

Note: - Left Side Connections (144) are not shown, measurements are identical to RHSC cylinder, on left side

All measurements shown are in *mm*, excluding 'C' which is degrees or inches (")

Measurement 'E' is from the cylinder base to the opening of the electrical cover plate

Inlet and Outlet connections are centered on the top and base of the cylinder

BCRL Cylinders are bottom connection (Measurement 'H' is to center of fitting)

RHSC – Right Hand Side Connection (Measurement 'H' is to center of fitting)

LHSC – Left Hand Side Connection (Measurement 'H' is to center of fitting)

Weight shown is approximate empty weight

Rheem Low Pressure Wetback Cylinder Dimensions																
Model		145	165	185	125	143	144	145	545	545	165	145	165	145	165	
		135	135	135	180	180	180	180	180	180	180	225	225	270	270	
		13	13	13	15	15	15	15	15	13	15	15	15	15	15	
Height	A	955	1145	1465	1020	1225	1225	1225	1355	1355	1512	1245	1520	1470	1800	
Diameter	B	560	510	460	610	560	560	560	540	540	510	610	560	610	560	
	C	-	-	-	-	90°	90°	-	-	-	-	-	-	-	-	
	D	-	-	-	-	170	170	-	-	-	-	-	-	-	-	
	E	135	115	110	150	135	135	135	115	115	115	150	135	150	135	
	F	-	-	-	-		150	150	-	-	-	-	-	-	-	
	H	90	90	90	90	90	90	90	90	90	90	90	90	90	90	
Weight	kg's	24	25	25	29	30	30	30	32	32	32	34	30	40	41	
Element Size	kW	2	2	2	3	3	3	3	2	3	3	3	3	3	3	
Max Pressure	kPa	Maximum of 76 kPa or 7.6 Meters Head														
In/Outlet	mm	20	20	20	20	20	20	20	20	20	20	20	25	25	25	25
Connection	"	¾	¾	¾	¾	¾	¾	¾	¾	¾	¾	¾	1	1	1	1
Wetback Connections:- 25mm or 1" (female Thread)																