



X2790

1460 Series

LCN®

Instruction Updates

Addendum Instructions

Updates were made to the 1460 Series closer and bracket. These instructions are to show the changes that will affect installing the 1460 and 1460T Series door closers.

① The illustrations in this sheet shows Pull Side Mounting only. Follow instructions similar to other mounting installations.

Changed Instructions for 1460 Series Closers

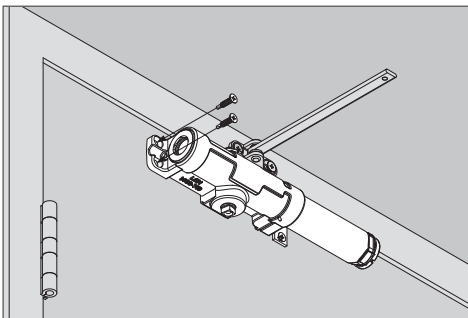
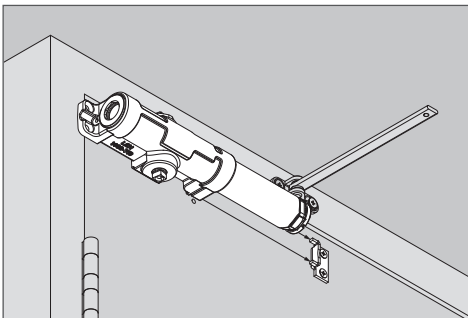
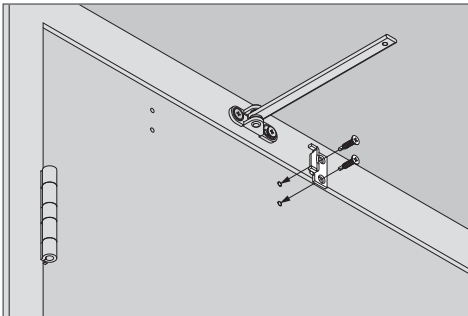
1 Adjust the closer.

Measure and determine your door's width. Using a hex wrench, adjust the closer spring power. Use the table below to determine the LCN FAST Power Adjust setting required.

Door Width	Set LCN FAST Power Adjust to:
ADA Setting	1
30" (750 mm)	2
32" (815 mm)	3
36" (915 mm)	4
42" (1050 mm)	5
48" (1220 mm)	6

2 Install closer.

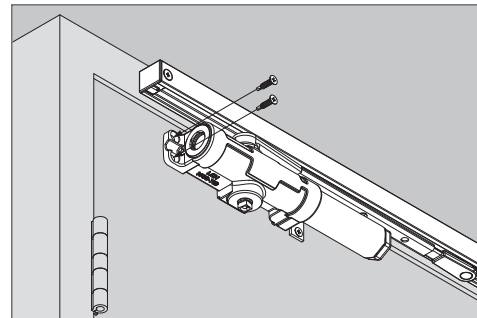
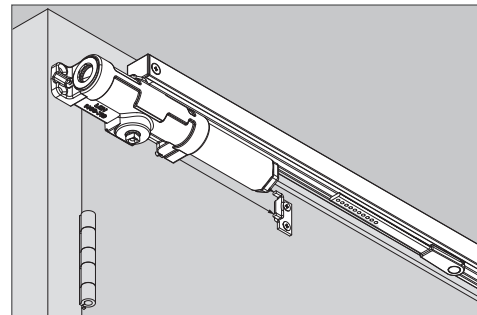
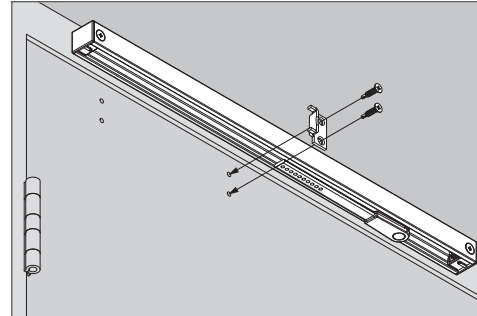
- a. Install bracket
- b. Slide closer onto bracket, and fasten with screws.



Changed Instructions for 1460 Series Track Closers

1 Install closer.

- a. Install bracket
- b. Slide closer onto bracket, and fasten with screws.

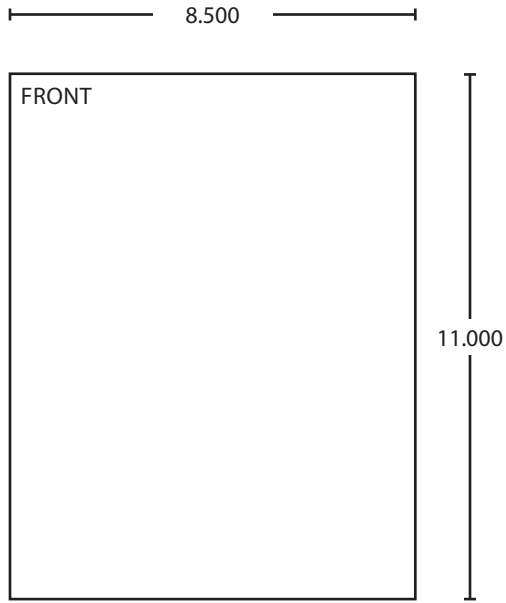


Customer Service

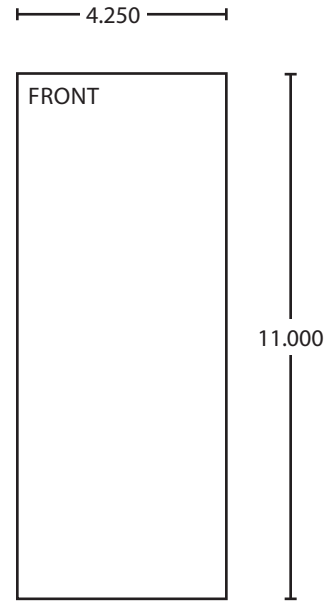
1-877-671-7011

www.allegion.com/us





BEGINNING SHEET



FINAL SHEET

Additional Notes:
1. None

Revision History						Revision Description: A > Revised artwork			
A	B	C	D	E	F				
N/A									
Material White Paper						Edited By D. Toppins	Approved By J. Pattar	EC Number N/A	Release Date 11-06-14
Notes 1. printed two sides 2. printed black 3. tolerance ± .13 4. printed in country may vary 5. drawings not to scale						Title 1460 Addendum			
						Creation Date 11-06-14	Number X2790		Revision A
						Created By D. Toppins	Activity 3899 Hancock Expwy Security, CO 80911		© Allegion 2014
						Software: InDesign CS6			