



PRODUCT INFO | FIRE CURTAINS

FIRE CURTAIN FM-1/2E

WHAT THIS UNIT IS USED FOR:

The Colt Fire Curtain FM-1/2E is a certified automatic fire curtain with a CE mark, which prevents the breakthrough of flames between two parts of a building. In case of fire, the FM-1 curtain forms a temporary barrier that increases the likelihood that people can escape from the building if it is on fire.

WHAT THIS UNIT IS USED FOR:

Fire curtains are used in residential buildings and all types of industrial or commercial buildings such as shopping centres, museums, atria, etc.

FEATURES AND BENEFITS:

The Colt Fire Curtain FM-1 is available in two different versions:

- 1. A glass filament fabric with a stabilizing PU coating, which meets the temperature resistance classes up to E 60.*
 - 2. A glass filament fabric with a stabilizing PU coating and an additional stainless steel inlay, which fulfils the classes up to E 180 and reduces radiation up to EW 30.*
- The FM-1 can be integrated practically invisibly into the building together with its side guides.*

Its technical details are described overleaf.



Description of the product

Fire Curtain FM-1/2E is an automatic fire curtain which, when activated, rolls down to its final position, preventing the penetration of flames and the spread of fires.

The fabric consists of a glass filament fabric with stainless steel core and a stabilised polyurethane coating.

Headboxes are made of galvanized sheet steel with a closed construction to accommodate the rollers. The lateral roll or rod side guides provide the connection to the building structure.

The weight profile ensures that the curtain closes reliably and stabilises the curtain when it is rolled down. Sliders are attached to the sides of the weight profile to assist with the closing process even if there are air currents. A sprung bottom bar made from extruded aluminium enables a homogeneous closure to the "invisible fire protection" headbox.

There are no visible fixings such as screws, rivets or similar when it is installed.

The curtain may be polyester powder coated in all types of RAL colours.

The underside of the headbox can be opened over the entire length of the unit for inspection purposes, thus allowing easy access to all components for quick and time-saving repairs.

A compact unit with minimal dimensions and high fire resistance at a low weight.

Time and cost saving installation to walls or ceilings by the use of prefabricated and delivered modules. The curtain is attached to the building using special brackets.

FUNCTION

When activated, the curtain moves from its at-rest position with no need for electricity at a controlled speed to the alarm position (using the "Gravity Fail Safe" principle).

The specially-developed roller unit is installed within the winding shaft and contains a PCB with its own intelligence in addition to a DC motor with planetary gears. Essential safety-related functions:

- Speed control 0.15m/s
- Locking unit
- Monitoring of the "rest" position
- Synchronisation of multiple units
- HWD intermediate position
- Adjustment of the bottom bar
- More than 10,000 cycles

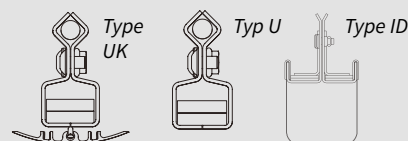
SKC-SC CONTROL PANEL

The SKC-SC control panel is designed for safe operation of the fire curtain and complies with prEN 12101-9 and BS 8524. There is a power supply which guarantees that the control functions are maintained for at least 72 hours according to the EN 12101-10 standard.

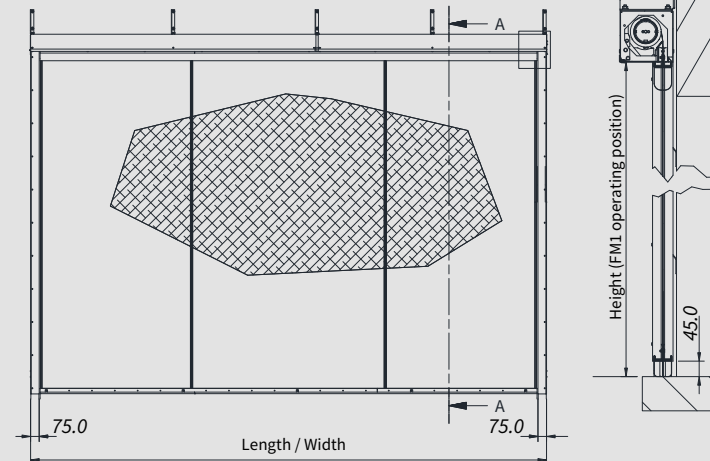
HOLD-OPEN SYSTEM

Control of the fire curtain is via a hold-open system according to DIN EN 14637 and the DIBt Guideline. Autonomous controls for initiating the closing process via the connected smoke detectors or manual control units. Alarm saving when released. Approval number: Z-6.5-1725.

BOTTOM BAR



DIMENSIONS

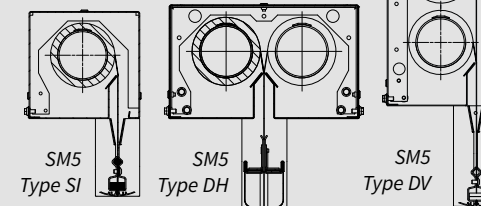


SIDE GUIDES

Type: FR or FS
60x75 mm cross section



HEADBOX VARIANTS



HEADBOX DIMENSIONS

TYPE	WIDTH	HEIGHT	TYPE	WIDTH	HEIGHT	TYPE	WIDTH	HEIGHT
SI-N	155	150	DH-N	250	150	DV-N	155	250
SI-L	180	185	DH-L	300	185	DV-L	180	300

DIMENSIONS (maximum unit sizes in mm)

CERTIFICATION Classification according to EN 13501-2		0370-CPR-3973 E 60		0370-CPR-3973 E 90 - EW 20		0370-CPR-3973 E 180 - EW 20		0370-CPR-3974 EW 30	
Unit	Housing type	Width	Height	Width	Height	Width	Height	Width	Height
Single unit	SI-N	4000	3750	4000	2750	3000	2750	-	-
Single unit	SI-L	4000	6000	4000	5500	3000	5000	-	-
Multiple units	DH+DV-N	9250	3750	9500	2750	9500	2750	9500	2750
Multiple units	DH+DV-L	8900	6000	9500	5250	9000	5250	3000	5000

KEY FEATURES

Certified **Applus[®]**

EN 16034 +
EN 13241 **CE**

Certified to
EN 13501-2

Fire resistance + integrity:

**E 60, E 90,
E 120, E 180**

Radiation limitation

EW 20, EW 30

Reliability test to

**DIN 4102-18
(C2) with 10,000
operational cycles**

Building
materials class

A2-s1, d0

**FR roller or
FS rod side guides**

invisible installation

Manufactured to
ISO 9001:2008