

# MANROSE®

## HAND DRYER

### HYGIENE RANGE



AIR TAPS

| AIR + WATER TAP

| WALL HAND DRYERS

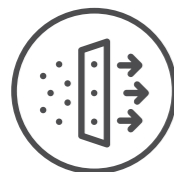
## ABOUT US

Formed in 1987, UK-based manufacturer Manrose is a leading manufacturer of ventilation fans and equipment. Manrose offers mechanical extract ventilation fans, heat recovery products, hand dryers, electrical heating systems and cooling products. Manrose also provides accessories such as electrical controllers, electrical speed controllers, roof vent kits, ducting and ventilation accessories and boxed venting kits. Our products are used globally in various domestic and commercial applications.

Manrose's innovations are the result of listening to our customers and understanding their needs. With energy efficiency now a prime consideration, and often compulsory for new buildings, we have ensured that all of our products offer optimum performance, and introduce added value features while keeping consistency with our corporate Environmental, Social and Governance objectives.



# ENJOY BETTER HAND HYGIENE WITH EVERY FEATURE\*



## HEPA Filter

HEPA filters are an excellent barrier solution to trap and remove particles, including pollen and dust mites, and also moulds and bacteria from the incoming air.

The filter will stop 99.97% of all particles that are 0.3 micrometres in diameter, offering a much cleaner air supply for hand drying.

Importantly, living pathogens such as mould spores trapped by the filter may reproduce on that surface over time.

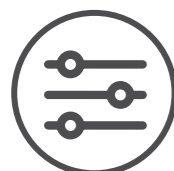
Therefore, frequent replacement of HEPA filters is recommended to maintain the effectiveness of the filtration system and ensure adequate air flow volume through the dryer to retain overall performance.



## UV-C Germicidal Irradiation

Improving cleanliness and reducing environmental pollution, the internal UV-C chamber provides the best air quality feasible in the drying process.

Using 260-280nm germicidal irradiation, this system strives to disinfect the air, inactivating airborne pathogens and micro-organisms, before they enter the heating chamber. Full effectiveness of UV-C irradiation is achieved in conjunction with a HEPA filtration system, delivering highest quality purified air for the user.



## Speed & Sound Control

Having the ability to adjust the motor speed, offers more flexibility in applications that desire lower noise levels, or a reduced air speed dependant on the location. From a minimum input of 300w, this will increase drying time on slower settings, however noise pollution and turbulence reduction may rank higher for users in certain applications.



## Intelligent Heat Control

Providing automatic energy savings, this feature determines ambient temperature in the room, and only switches the heat element on if the temperature falls below 25°C. This can realise energy reductions of up to 60% automatically, without impacting the unit's ability to dry hands fast.



## Manual On/Off Heat Element

Additional to the Intelligent Heat Control, this function allows the operator to manually switch the heater element off, to maximise energy reductions. Especially applicable during Summer and shoulder seasons when the heater is often not needed to maintain fast drying.



## Automatic Cutoff Protection

All models include cutoff protection to ensure overheating is not possible. Providing dual protection by Thermostat and Thermal cutoff, this safeguards the unit from intentional continuous operation or sabotage. The preset cutoff is between 30-60 secs dependant on the model.



## PIR Adjustment

Generally, hand dryer sensors activate between 50-150mm from below the air nozzle. In some instances that distance can be too short, or indeed, too long. This is usually due to the hand dryer being installed above reflective surfaces which can cause erratic switching in some instances. This function allows for fine tuning of operation on any site.

## Fixed Air Taps 165mm



HEPA + Coarse Particulate Filter



2 Temperature control mode



4 Level adjustable air speed control



Auto operation via PIR sensor



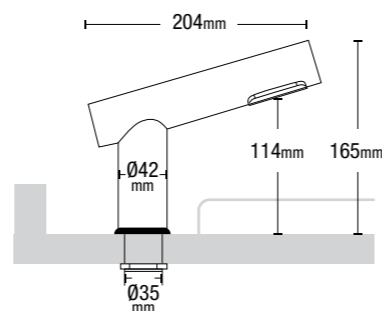
With a touch-free sink mounted system, there are no longer any drips carried across the washroom floors. A modern compact design with dual filtration for cleaner air.



FAN7438  
Black Matt



FAN7439  
Polished Chrome



## Fixed Air Taps 330mm



HEPA + Coarse Particulate Filter



2 Temperature control mode



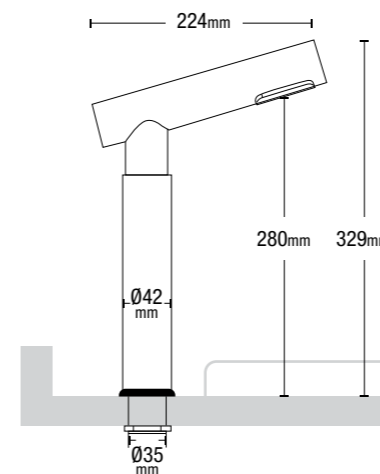
4 Level adjustable air speed control



Auto operation via PIR sensor



Adjustable speed and sound control to accommodate any basin shape without splashing, especially useful for domestic use. Style & function combined.



FAN7441  
Polished Chrome



FAN7440  
Black Matt

550 w  
Fan Input

750 w  
Heater Input

90 m/s  
Adjustable Air Speed

10-15 sec  
Dry Time Range

Stainless  
Steel 304  
Housing

3 year  
Warranty

550 w  
Fan Input

750 w  
Heater Input

90 m/s  
Adjustable Air Speed

10-15 sec  
Dry Time Range

Stainless  
Steel 304  
Housing

3 year  
Warranty

# Pivot Air Taps 330mm



HEPA + Coarse Particulate Filter



2 Temperature control mode



4 Level adjustable air speed control



Manual operation via touch button



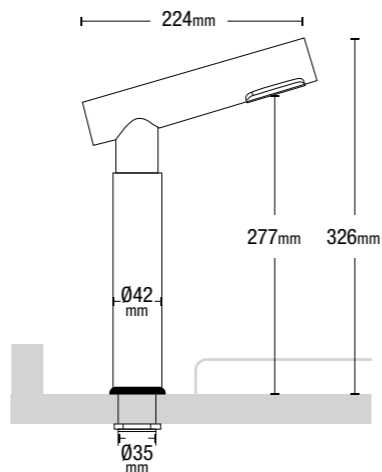
340° rotational design which creates a new clutter free washroom experience. No mess, no wall space, functional and elegant. This model comes with touch control for manual operation, suitable for commercial kitchens to improve efficiency.



FAN7442  
Black Matt



FAN7443  
Polished Chrome



# Water + Air Tap



HEPA + Coarse Particulate Filter



2 Temperature control mode



4 Level adjustable air speed control



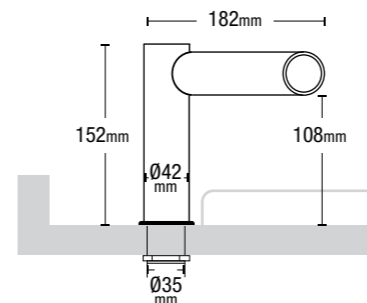
Auto operation via PIR sensor



Washing + drying done in one spot opens up opportunities to re-think washroom design. Minimise waste, reduce energy and water consumption, while still achieving high standards of hygiene.



FAN7444  
Polished Chrome



550 w  
Fan Input

750 w  
Heater Input

90 m/s  
Adjustable Air Speed

10-15 sec  
Dry Time Range

Stainless Steel 304  
Housing

3 year  
Warranty

550 w  
Fan Input

650 w  
Heater Input





90 m/s  
Adjustable Air Speed

10-15 sec  
Dry Time Range

Stainless Steel 304  
Housing

3 year  
Warranty

## Thin Dry Wall Hand Dryers

-   
Coarse  
Particulate Filter
-   
UV-C  
Sterilisation
-   
Heat Element  
Switch
-   
Automatic  
Cutoff Protection



This 100mm shallow model designed for behind mirror applications, and in areas where space is at a premium. Able to switch heat element off for **40%** energy saving in Summer months. Available in three finishes to create a stylish and contemporary washroom. ADA Compliant.



## Jetstream Wall Hand Dryers

-   
Coarse Particulate Filter
-   
Heat Element Switch
-   
Automatic Cutoff Protection



An efficient and hygienic hand drying solution. Blue Dry Zone LED indicator gives visible indication to ensure hands are placed in the warm air stream. Able to switch heat element off for **60%** energy saving in Summer months.



<b>600w</b> Fan Input	<b>400w</b> Heater Input	<b>100 m/s</b> Air Speed	<b>10-12 sec</b> Dry Time Range	<b>1.2mm</b> <b>Stainless Steel 304</b> Housing	<b>IK08</b> Rating	<b>5 year</b> Warranty	<b>550w</b> Fan Input	<b>800w</b> Heater Input	<b>80 m/s</b> Air Speed	<b>9-11 sec</b> Dry Time Range	<b>1.2mm</b> <b>Stainless Steel 304</b> Housing	<b>IK08</b> Rating	<b>5 year</b> Warranty
--------------------------	-----------------------------	-----------------------------	------------------------------------	---	-----------------------	---------------------------	--------------------------	-----------------------------	----------------------------	-----------------------------------	---	-----------------------	---------------------------

# Vento

## Wall Hand Dryers



Coarse Particulate Filter



Adjustable Speed & Sound Control



Heat Element Switch



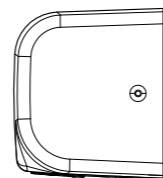
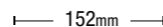
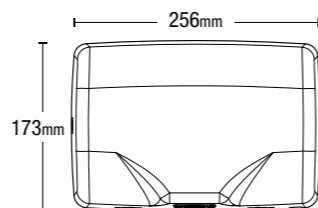
With a curved modern design the Vento offers excellent standards of hygiene and durability. Able to switch heat element off for **60%** energy saving in Summer months. Speed and sound control to manage unrequired acoustic and turbulence issues.



FAN7421  
White



FAN7422  
Black



# Rapid Dry

## Wall Hand Dryer



Coarse Particulate Filter



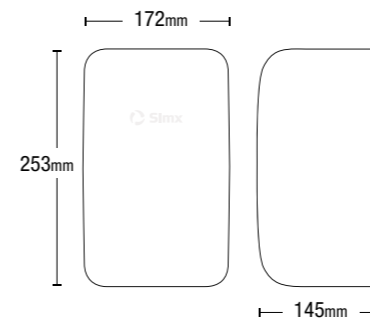
UV-C Sterilisation



Heat Element Switch



With a compact design specification this is the perfect option where restricted space is available. The robust stainless steel casing provides protection in higher risk areas. Able to switch heat element off for **55%** energy saving in Summer months. Cleaner air delivery through its in-built UV-C sterilisation chamber.



FAN6855  
Brushed

**500w**  
Fan Input

**850w**  
Heater Input

**100 m/s**  
Adjustable Air Speed

**9-11 sec**  
Dry Time Range

1.2mm  
**Stainless Steel 304**  
Housing

**IK08**  
Rating

**3 year**  
Warranty

**500w**  
Fan Input

**650w**  
Heater Input

**216 km/hr**  
Air Speed

**10-15 sec**  
Dry Time Range

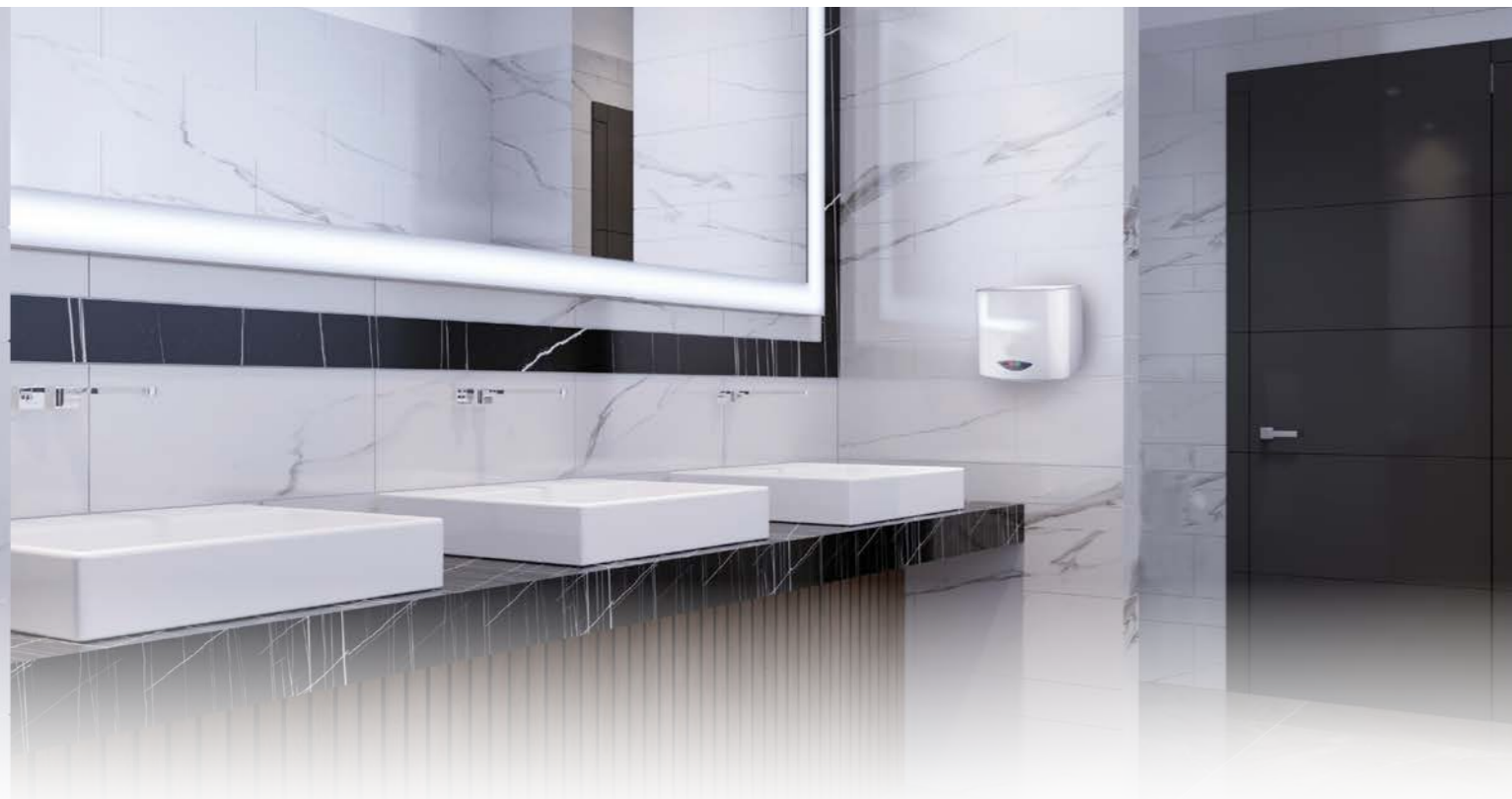
1.2mm  
**Stainless Steel 304**  
Housing

**IK08**  
Rating

**2 year**  
Warranty

## Fast Dry Wall Hand Dryer

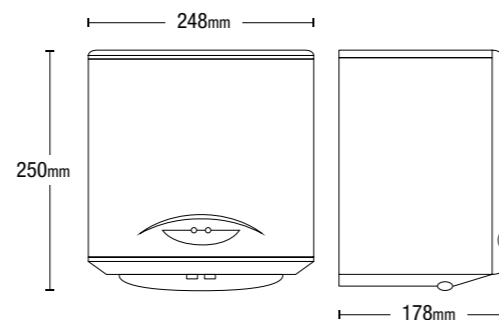
-   
Coarse Particulate Filter
-   
Heat Element Switch
-   
Automatic Cutoff Protection



A contemporary, stylish hand dryer to compliment any washroom application. Low energy consumption and quiet operation deliver outstanding performance. Able to switch heat element off for **40%** energy saving in Summer months.



FAN5653  
White

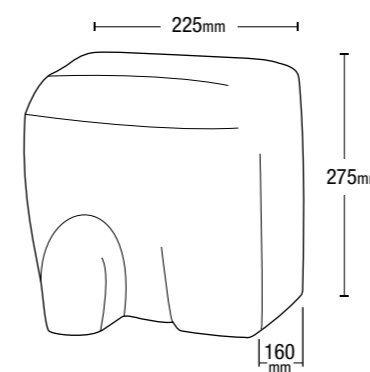


## Easy Dry Wall Hand Dryers

-   
Automatic Cutoff Protection



This model is designed for heavy usage in public areas such as lavatories, factories, schools, railways and motorway service stations. A solid aluminium housing offers significant protection in areas prone to vandalism.



FAN4396  
White

FAN4395  
Silver

<b>650w</b> Fan Input	<b>450w</b> Heater Input	<b>95m/s</b> Air Speed	<b>10-15 sec</b> Dry Time Range	<b>ABS</b> Housing	<b>IK08</b> Rating	<b>2 year</b> Warranty	<b>2.0 kW</b> Total Power	<b>108 l/s</b> Free Air Speed	<b>25-30 sec</b> Dry Time Range	<b>3mm Aluminium</b> Housing	<b>IK10</b> Rating	<b>2 year</b> Warranty
--------------------------	-----------------------------	---------------------------	------------------------------------	-----------------------	-----------------------	---------------------------	------------------------------	----------------------------------	------------------------------------	---------------------------------	-----------------------	---------------------------



# Tempesta

## Wall Hand Dryer

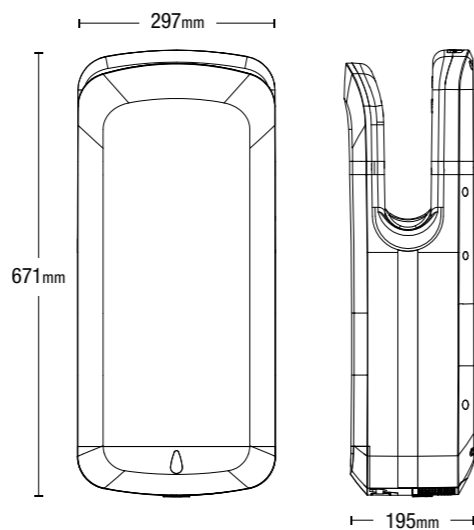
- HEPA + Coarse Particulate Filter
- UV-C Sterilisation
- Adjustable Speed & Sound Control
- Heat Element Switch



Delivering optimum hygiene with UV-C sterilisation chamber, HEPA filter, plus particulate filter. Droplet reservoir includes overflow pipe connector. Able to switch heat element off for **25%** energy saving in Summer months. Friendly countdown screen for users.



FAN7423  
White



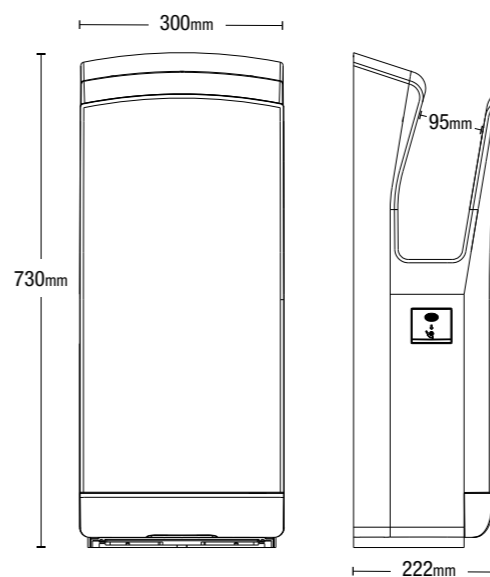
# Side Draft

## Wall Hand Dryer

- HEPA Filter
- Intelligent Heat Off
- Automatic Cutoff Protection



Intelligent Heat Control adds heat to the airflow if it senses room temperature drop below 25°C automatically. An ultra modern design and tough stainless steel case to protect against corrosion and vandalism. In-built drip tray included.



FAN5655  
Brushed



1250 w Fan Input	400 w Heater Input	140 m/s Adjustable Air Speed	8-10 sec Dry Time Range	ABS Housing	IK07 Rating	3 year Warranty	800 w Fan Input	850 w Heater Input	95 m/s Air Speed	10-15 sec Dry Time Range	1.2mm Stainless Steel 304 Housing	IK08 Rating	2 year Warranty
---------------------	-----------------------	---------------------------------	----------------------------	----------------	----------------	--------------------	--------------------	-----------------------	---------------------	-----------------------------	--	----------------	--------------------

## Accessories

### HEPA Filters

Replace every 6-12 months based on usage



FAN7445  
for all Air Tap products

FAN7446  
for Tempesta wall hand dryer

FAN7429  
for Side Draft wall hand dryer

### Manrose Hand Dryer Recess Kit

Brushed stainless steel 304 with welded construction, reducing the intrusion of the heater into the space. Movable backplate chain for easier install/maintenance.



(Indent only for project supply, specific models only)

660 x 365 x 100mm

FAN7426

### Manrose 1.4mm Splash Guards

Stainless Steel 304 wall guard to protect walls from water droplets and simplify cleaning. (3.2m 3M adhesive tape included)



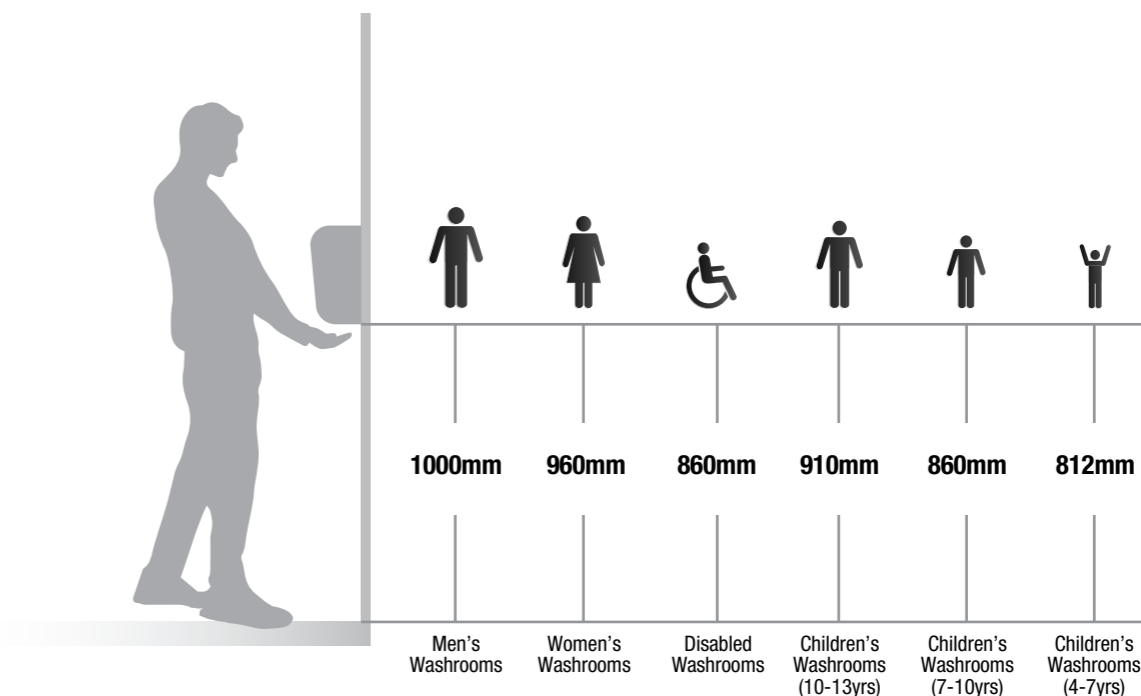
800 x 400 x 1.4mm

FAN7424  
White

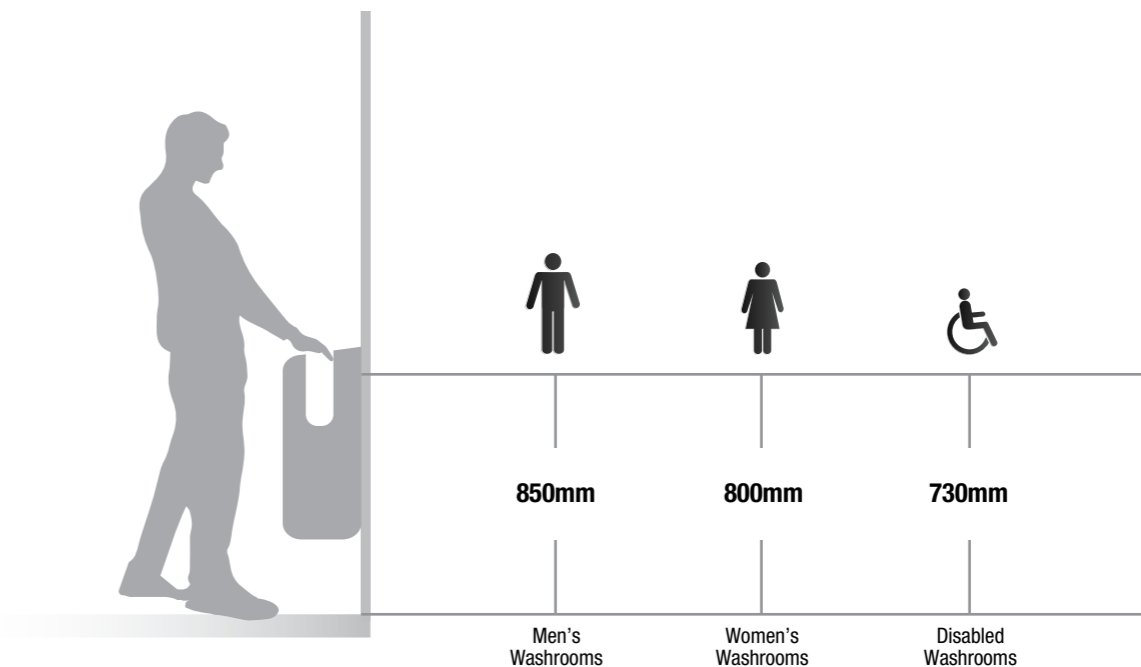
FAN7425  
Brushed

## Recommended Mounting Heights

### All Compact Wall Hand Dryers (to bottom of the unit)



### Tempesta & Side Draft Dryers (to top of mounting bracket)



# MANROSE®

Manrose leads the market in air movement and air extraction. Developed and designed to meet the specific application needs of the New Zealand market, Manrose fans perform to those exacting standards for the life of the product.

For the full range of Manrose fans, ducting, grilles, diffusers, hand dryers and accessories visit our website.