



MANROSE®

HAND DRYER

HYGIENE RANGE



AIR TAPS



AIR + WATER TAP



WALL HAND DRYERS

ABOUT US

Formed in 1987, UK-based manufacturer Manrose is a leading manufacturer of ventilation fans and equipment. Manrose offers mechanical extract ventilation fans, heat recovery products, hand dryers, electrical heating systems and cooling products. Manrose also provides accessories such as electrical controllers, electrical speed controllers, roof vent kits, ducting and ventilation accessories and boxed venting kits. Our products are used globally in various domestic and commercial applications.

Manrose's innovations are the result of listening to our customers and understanding their needs. With energy efficiency now a prime consideration, and often compulsory for new buildings, we have ensured that all of our products offer optimum performance, and introduce added value features while keeping consistency with our corporate Environmental, Social and Governance objectives.



ENJOY BETTER HAND HYGIENE WITH EVERY FEATURE*



HEPA Filter

HEPA filters are an excellent barrier solution to trap and remove particles, including pollen and dust mites, and also moulds and bacteria from the incoming air.

The filter will stop 99.97% of all particles that are 0.3 micrometres in diameter, offering a much cleaner air supply for hand drying.

Importantly, living pathogens such as mould spores trapped by the filter may reproduce on that surface over time.

Therefore, frequent replacement of HEPA filters is recommended to maintain the effectiveness of the filtration system and ensure adequate air flow volume through the dryer to retain overall performance.



UV-C Germicidal Irradiation

Improving cleanliness and reducing environmental pollution, the internal UV-C chamber provides the best air quality feasible in the drying process.

Using 260-280nm germicidal irradiation, this system strives to disinfect the air, inactivating airborne pathogens and micro-organisms, before they enter the heating chamber. Full effectiveness of UV-C irradiation is achieved in conjunction with a HEPA filtration system, delivering highest quality purified air for the user.



Speed & Sound Control

Having the ability to adjust the motor speed, offers more flexibility in applications that desire lower noise levels, or a reduced air speed dependant on the location. From a minimum input of 300w, this will increase drying time on slower settings, however noise pollution and turbulence reduction may rank higher for users in certain applications.





Intelligent Heat Control

Providing automatic energy savings, this feature determines ambient temperature in the room, and only switches the heat element on if the temperature falls below 25°C. This can realise energy reductions of up to 60% automatically, without impacting the unit's ability to dry hands fast.



Manual On/Off Heat Element

Additional to the Intelligent Heat Control, this function allows the operator to manually switch the heater element off, to maximise energy reductions. Especially applicable during Summer and shoulder seasons when the heater is often not needed to maintain fast drying.



Automatic Cutoff Protection

All models include cutoff protection to ensure overheating is not possible. Providing dual protection by Thermostat and Thermal cutoff, this safeguards the unit from intentional continuous operation or sabotage. The preset cutoff is between 30-60 secs dependant on the model.



PIR Adjustment

Generally, hand dryer sensors activate between 50-150mm from below the air nozzle. In some instances that distance can be too short, or indeed, too long. This is usually due to the hand dryer being installed above reflective surfaces which can cause erratic switching in some instances. This function allows for fine tuning of operation on any site.

Fixed Air Taps 165mm



HEPA + Coarse
Particulate Filter



2 Temperature
control mode



4 Level adjustable
air speed control



Auto operation
via PIR sensor



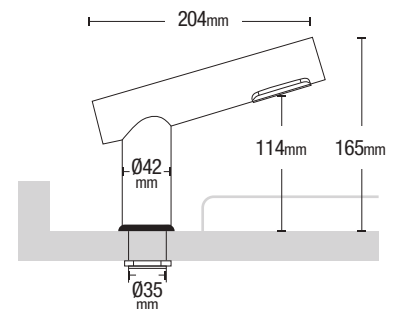
With a touch-free sink mounted system, there are no longer any drips carried across the washroom floors. A modern compact design with dual filtration for cleaner air.



FAN7438
Black Matt



FAN7439
Polished Chrome



550 w
Fan Input

750 w
Heater Input

90 m/s
Adjustable Air Speed

10-15 sec
Dry Time Range

**Stainless
Steel 304**
Housing

3 year
Warranty

Fixed Air Taps 330mm



HEPA + Coarse
Particulate Filter



2 Temperature
control mode



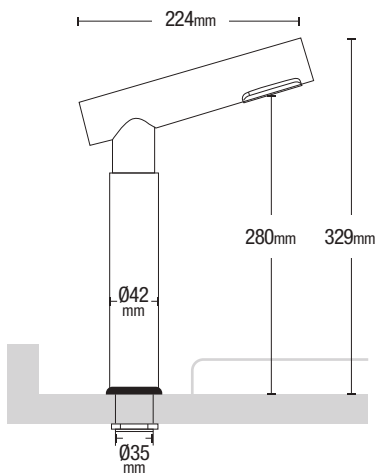
4 Level adjustable
air speed control



Auto operation
via PIR sensor



Adjustable speed and sound control to accommodate any basin shape without splashing, especially useful for domestic use. Style & function combined.



FAN7441
Polished Chrome



FAN7440
Black Matt

550 w
Fan Input

750 w
Heater Input

90 m/s
Adjustable Air Speed

10-15 sec
Dry Time Range

**Stainless
Steel 304**
Housing

3 year
Warranty

Pivot Air Taps 330mm



HEPA + Coarse
Particulate Filter



2 Temperature
control mode



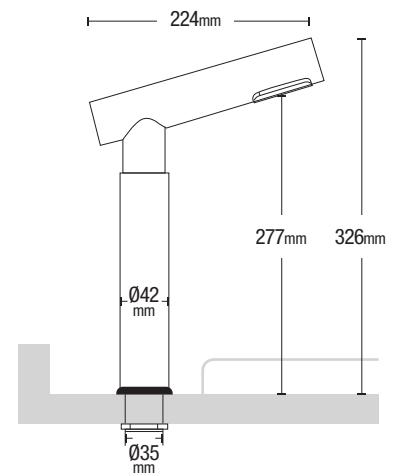
4 Level adjustable
air speed control



Manual operation
via touch button



340° rotational design which creates a new clutter free washroom experience. No mess, no wall space, functional and elegant. This model comes with touch control for manual operation, suitable for commercial kitchens to improve efficiency.



550 w
Fan Input

750 w
Heater Input

90 m/s
Adjustable Air Speed

10-15 sec
Dry Time Range

**Stainless
Steel 304**
Housing

3 year
Warranty

Water + Air Tap



HEPA + Coarse
Particulate Filter



2 Temperature
control mode



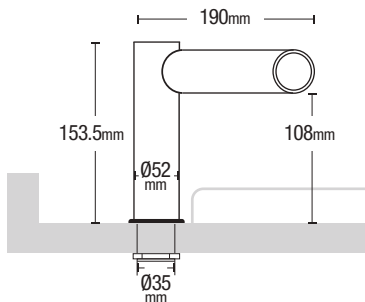
4 Level adjustable
air speed control



Auto operation
via PIR sensor



Washing + drying done in one spot opens up opportunities to re-think washroom design. Minimise waste, reduce energy and water consumption, while still achieving high standards of hygiene.



FAN7444
Polished Chrome

550 w
Fan Input

650 w
Heater Input

90 m/s
Adjustable Air Speed

10-15 sec
Dry Time Range

Stainless Steel 304
Housing

3 year
Warranty

Thin Dry

Wall Hand Dryers



Coarse Particulate Filter



UV-C Sterilisation



Heat Element Switch



Automatic Cutoff Protection



This 100mm shallow model designed for behind mirror applications, and in areas where space is at a premium. Able to switch heat element off for **40%** energy saving in Summer months. Available in three finishes to create a stylish and contemporary washroom. ADA Compliant.



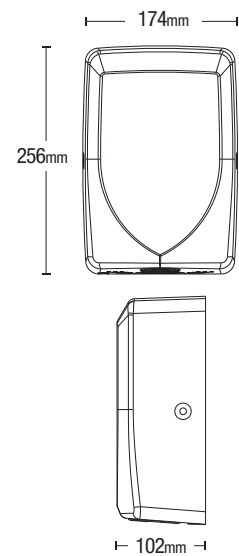
FAN7418
White



FAN7419
Black



FAN7420
Brushed



600 w
Fan Input

400 w
Heater Input

100 m/s
Air Speed

10-12 sec
Dry Time Range

1.2mm
Stainless Steel 304
Housing

IK08
Rating

5 year
Warranty

Jetstream

Wall Hand Dryers



Coarse Particulate Filter



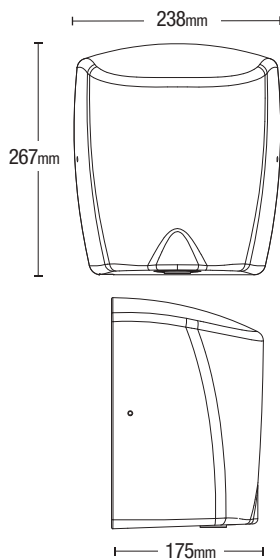
Heat Element Switch



Automatic Cutoff Protection



An efficient and hygienic hand drying solution. Blue Dry Zone LED indicator gives visible indication to ensure hands are placed in the warm air stream. Able to switch heat element off for **60%** energy saving in Summer months.



FAN7427
White



FAN7428
Polished

550 w
Fan Input

800 w
Heater Input

80 m/s
Air Speed

9-11 sec
Dry Time Range

1.2mm
Stainless Steel 304
Housing

IK08
Rating

5 year
Warranty

Vento

Wall Hand Dryers



Coarse Particulate Filter



Adjustable Speed & Sound Control



Heat Element Switch



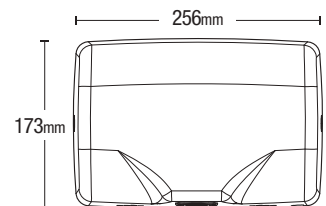
With a curved modern design the Vento offers excellent standards of hygiene and durability. Able to switch heat element off for **60%** energy saving in Summer months. Speed and sound control to manage unrequired acoustic and turbulence issues.



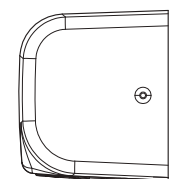
FAN7421
White



FAN7422
Black



152mm



500 w
Fan Input

850 w
Heater Input

100 m/s
Adjustable Air Speed

9-11 sec
Dry Time Range

1.2mm
Stainless Steel 304
Housing

IK08
Rating

3 year
Warranty

Fast Dry

Wall Hand Dryer



Coarse Particulate Filter



Heat Element Switch



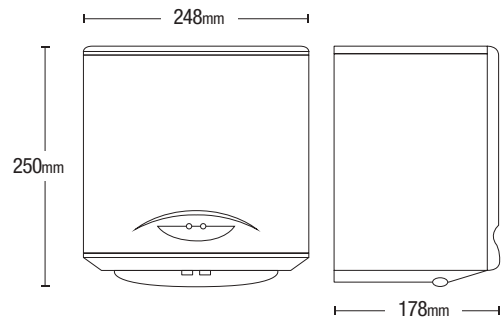
Automatic Cutoff Protection



A contemporary, stylish hand dryer to compliment any washroom application. Low energy consumption and quiet operation deliver outstanding performance. Able to switch heat element off for **40%** energy saving in Summer months.



FAN5653
White



650 w
Fan Input

450 w
Heater Input

95 m/s
Air Speed

10-15 sec
Dry Time Range

ABS
Housing

IK08
Rating

2 year
Warranty

Tempesta

Wall Hand Dryer



HEPA + Coarse
Particulate Filter



UV-C
Sterilisation



Adjustable Speed
& Sound Control



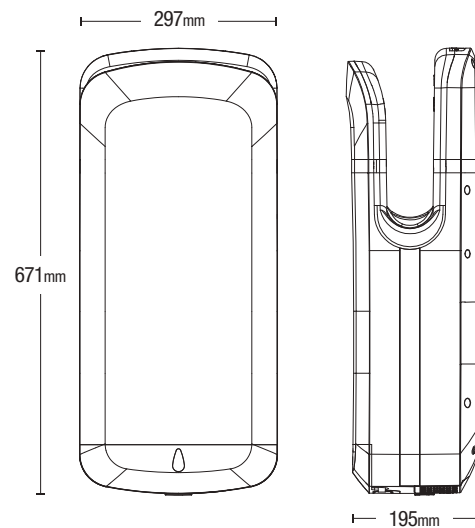
Heat Element
Switch



Delivering optimum hygiene with UV-C sterilisation chamber, HEPA filter, plus particulate filter. Droplet reservoir includes overflow pipe connector. Able to switch heat element off for **25%** energy saving in Summer months. Friendly countdown screen for users.



FAN7423
White



1250 w
Fan Input

400 w
Heater Input

140 m/s
Adjustable Air Speed

8-10 sec
Dry Time Range

ABS
Housing

IK07
Rating

3 year
Warranty

Side Draft Wall Hand Dryer



HEPA Filter



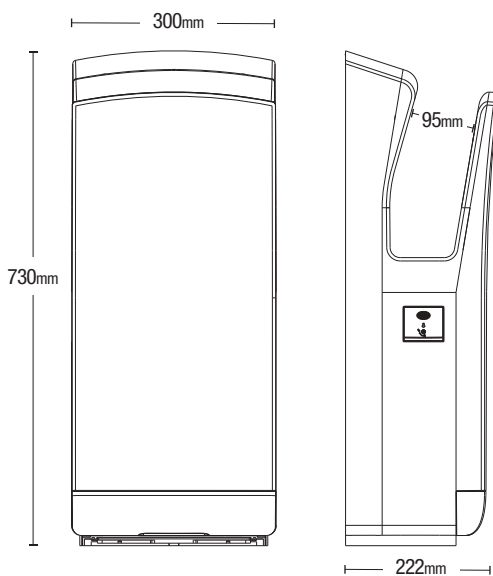
Intelligent Heat Off



Automatic Cutoff Protection



Intelligent Heat Control adds heat to the airflow if it senses room temperature drop below 25°C automatically. An ultra modern design and tough stainless steel case to protect against corrosion and vandalism. In-built drip tray included.



FAN5655
Brushed



800 w
Fan Input

850 w
Heater Input

95 m/s
Air Speed

10-15 sec
Dry Time Range

1.2mm
Stainless Steel 304
Housing

IK08
Rating

2 year
Warranty

Accessories

HEPA Filters

Replace every 6-12 months based on usage

FAN7445
for all Air Tap products

FAN7446
for Tempesta wall hand dryer

FAN7429
for Side Draft wall hand dryer



Manrose Hand Dryer Recess Kit

Brushed stainless steel 304 with welded construction, reducing the intrusion of the heater into the space.
Movable backplate chain for easier install/maintenance.

(Indent only for project supply, specific models only)

660 x 365 x 100mm

FAN7426



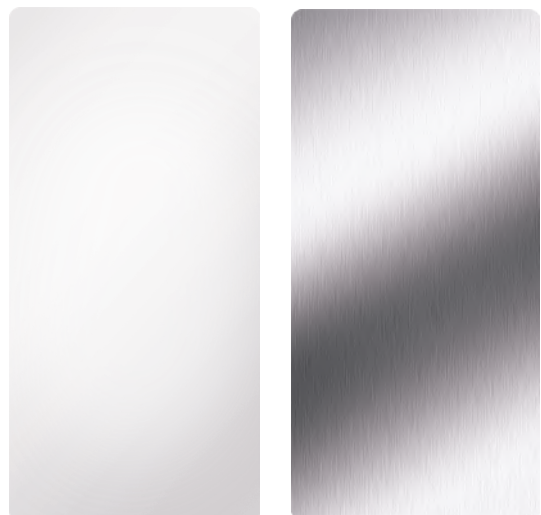
Manrose 1.4mm Splash Guards

Stainless Steel 304 wall guard to protect walls from water droplets and simplify cleaning.
(3.2m 3M adhesive tape included)

800 x 400 x 1.4mm

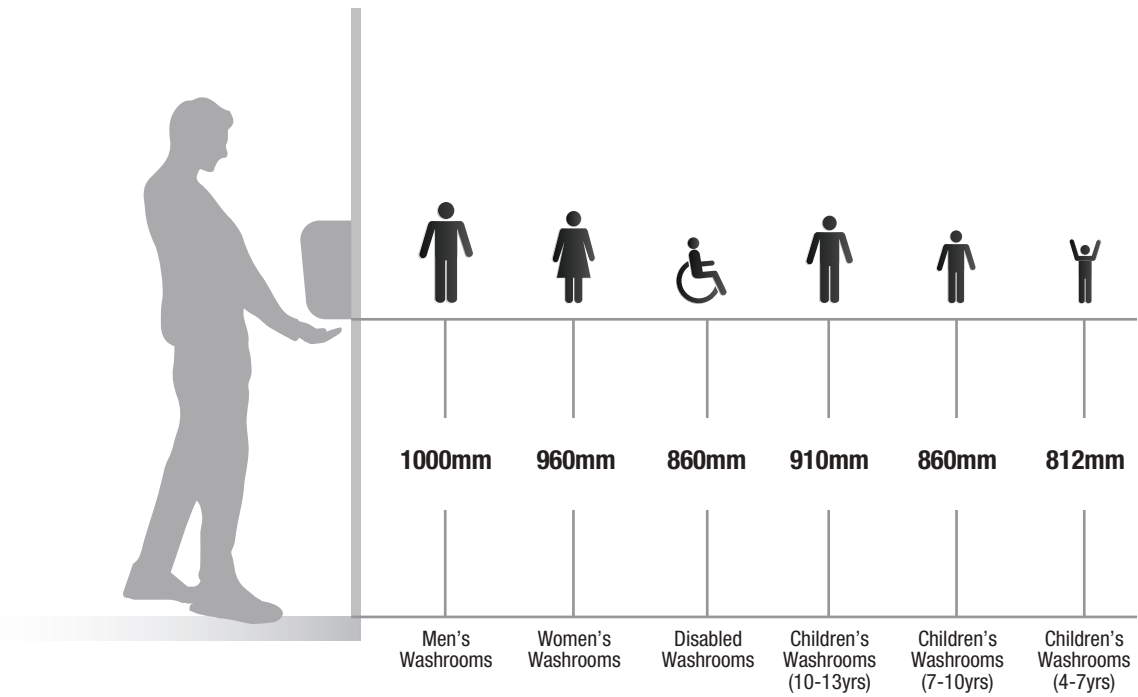
FAN7424
White

FAN7425
Brushed



Recommended Mounting Heights

All Compact Wall Hand Dryers (to bottom of the unit)



Tempesta & Side Draft Dryers (to top of mounting bracket)



MANROSE®

Manrose leads the market in air movement and air extraction. Developed and designed to meet the specific application needs of the New Zealand market, Manrose fans perform to those exacting standards for the life of the product.

For the full range of Manrose fans, ducting, grilles, diffusers, hand dryers and accessories visit our website.