

Southern Lite Semi  
Frameless Balustrade

Refer to PS1 for 1000  
1100mm balustrade  
Southern Lites @ Semi  
Frameless detail top fix  
timber SF112

M10 s/s 140mm threaded  
lag screw penetrating 90mm  
into joist

3 x 14g x 125 Hex Tek  
Screws into double joists

6 x 14g x 25 Hex Tek  
Screws into single joists

90x45 H3.2 Framing

JVice-42 bracket @  
Maximum spacing - 400mm

Substrate with 1.5° slope

Existing Roof Structure

Dome nut

This can be substituted  
with a longer joist if  
required

3 / 90x45 H3.2 Framing

Adjustable Height Pedestal  
(DPH300 with slope  
correctors, height range  
60mm-88mm)

Membrane dressed over  
substrate and angle

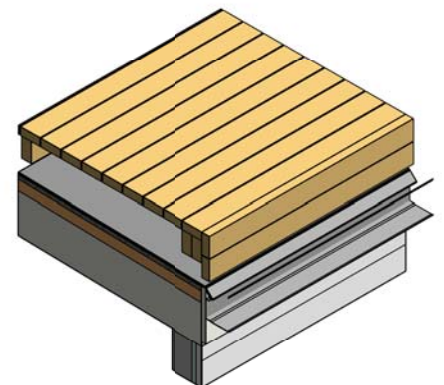
50 x 50 Metal Angle

Gutter

Fascia Board

Wall Cladding and Wall  
Underlay

Note: Installation to be in accordance with E2/AS1



© 2017. The copyright of this document is the property of Glass Vice Limited and shall not be reproduced, copied, loaned or disposed of directly, or indirectly, nor used for any purpose other than that for which it is specifically furnished without prior consent.

All dimensions in millimetres



# Glass Vice

## Deck Overlay for Southern Lite Balustrade

Detail

Date: 07/11/17  
Scale: 1 : 5

Version 3

Quick Code:

www.glassvice.com  
Phone +64 9 414 6565  
info@glassvice.com

DKF30a