

Batten options

1. Treated timber battens should have castellated profile to permit air passage and minimum 15° slope edge to shed water.

Impervious barrier (MDPE) or similar tape between cladding and batten.
To comply with NZBC E2/AS1 - table 23.

Note:
Some machining of vertical battens may be required to avoid "build up".
i.e. back flashings / tapes

2. Cavity plastic Batten

Note:
packing/shims may be needed to ensure boards are fitted flat without distortion.

* Additional timber may be required at soffit to support UA 5831 Soffit Base.

Note: Important

Underlay strips to isolate aluminium from treated timber battens 50 mm wide medium density polyethylene (MDPE)

To comply with NZBC E2/AS1 - table 23. Properties of roofing underlays and wall underlays, separates aluminium components and accessories from timber battens treated with copper-based treatments in NZS 3604.

Cavity closers required as per NZBC clause E2/AS1 (section 9.1.8)

0.9 x 90mm Aluminium Track Flashing.
Alternatively use Dynex Dynafash.

Locator Clip UA 4535

Vertical cavity batten (corners only) fixed with 6g x 1.25" CSK Sq S/S pre-drilled screws through batten into stud

Clearance hole in board larger than screw gauge to allow for thermal expansion.

5 MIN

When ripping boards to custom widths use treated timber Packers with isolation strips to replicate leg support

Minimum 5 mm clearance to allow for thermal expansion

Ulltraclad® UA 7094 Female Corner Flashing

Ulltraclad® UA 7095 Male Corner Flashing fixed to timber battens with 30 x 2.5 mm stainless steel clouts at 600 mm vertical centres

5 MIN

Face fix CSK aluminium Rivet through UA 7094 Female Corner Flashing and UA 6975 weatherboard (vertical). Touch up with colour match paint

Note: Underlay strips to isolate aluminium from treated timber battens Refer V00

Building underlay continuous around corner

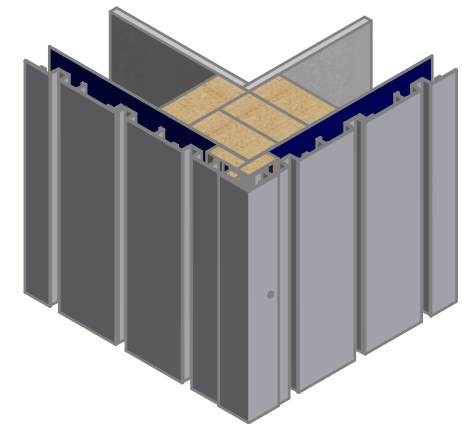
Cavity batten Refer V00 Batten Options

Locator Clips fixed at Max 600 mm vertical centres with 8g x 2" CSK Sq S/S self tapping screws through batten into stud.

Wall frame

Interior lining

Note: Ensure to alternate spacings of fixings for battens and Locator Clips to avoid risk of splitting batten



ULLTRACLAD®
ALUMINIUM WEATHERBOARDS

ULLRICH ALUMINIUM CO LTD
PO Box 98 843 Manukau City Auckland 2241
118 Wiri Station Road Wiri 2104 New Zealand
TL 09 262 6262 Ext. 814 Mob 021 541 563

www.ulltraclad.co.nz

© ULLRICH ALUMINIUM - All Rights Reserved

V01

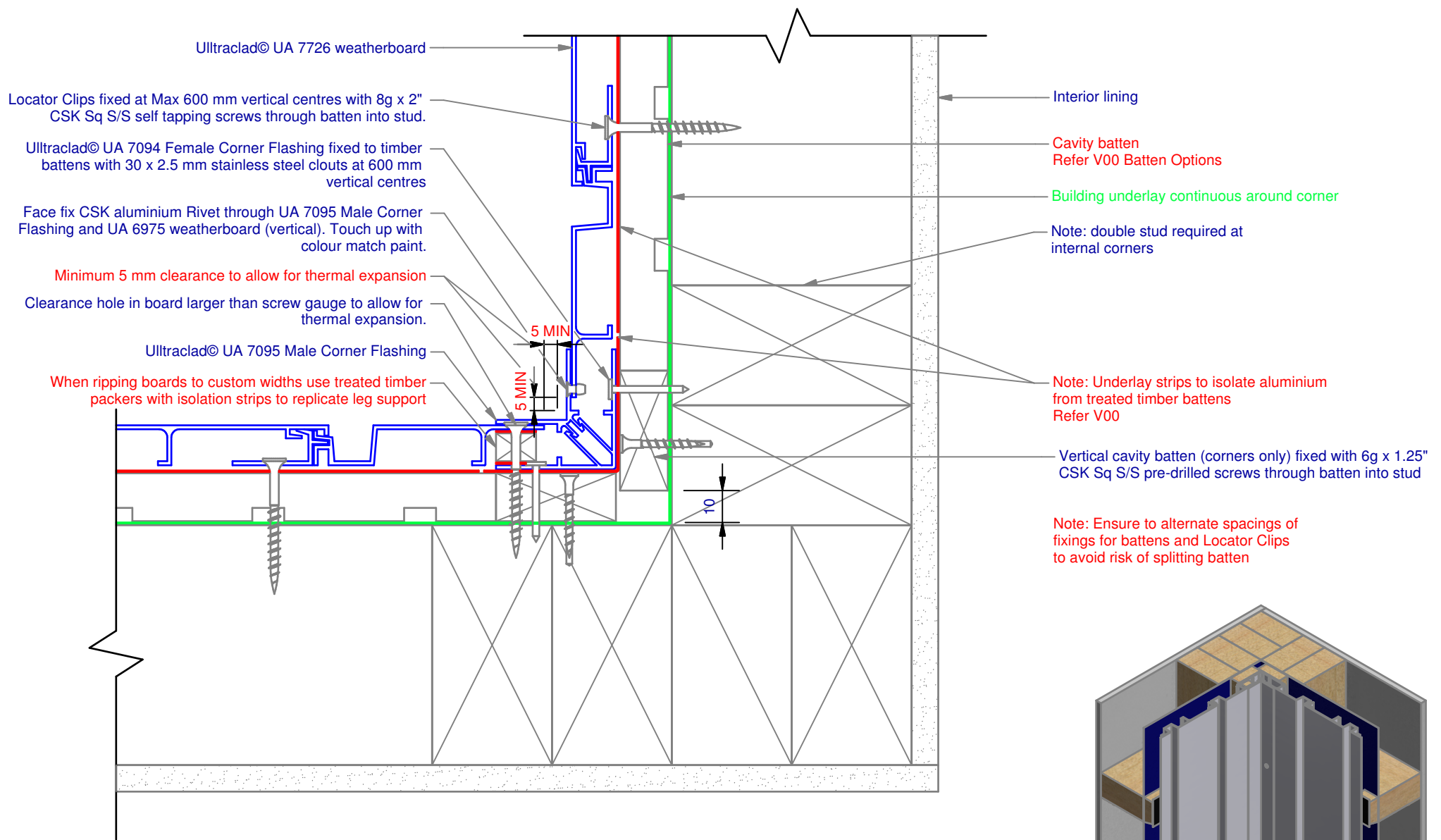
Rev : 08

External Corner on Cavity
UA 7726 SHADO 100 BOARD

VERTICAL CAVITY SYSTEM

Scale: 1 : 2 @ A4 - 2017

Brnz Appraisal #796 2013. (Vertical)



Ulltraclad® UA 7726 weatherboard

Locator Clips fixed at Max 600 mm vertical centres with 8g x 2" CSK Sq S/S self tapping screws through batten into stud.

Ulltraclad® UA 7094 Female Corner Flashing fixed to timber battens with 30 x 2.5 mm stainless steel clouts at 600 mm vertical centres

Face fix CSK aluminium Rivet through UA 7095 Male Corner Flashing and UA 6975 weatherboard (vertical). Touch up with colour match paint.

Minimum 5 mm clearance to allow for thermal expansion
 Clearance hole in board larger than screw gauge to allow for thermal expansion.

Ulltraclad® UA 7095 Male Corner Flashing

When ripping boards to custom widths use treated timber packers with isolation strips to replicate leg support

5 MIN

5 MIN

10

Interior lining

Cavity batten
 Refer V00 Batten Options

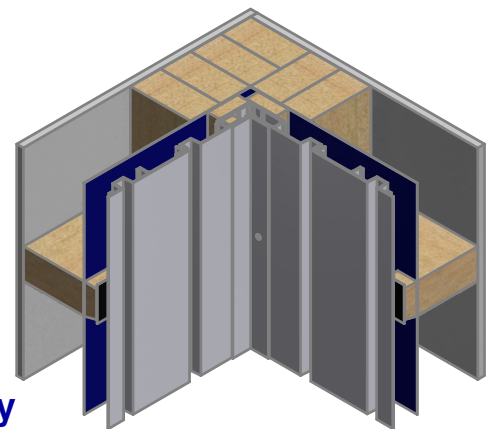
Building underlay continuous around corner

Note: double stud required at internal corners

Note: Underlay strips to isolate aluminium from treated timber battens
 Refer V00

Vertical cavity batten (corners only) fixed with 6g x 1.25" CSK Sq S/S pre-drilled screws through batten into stud

Note: Ensure to alternate spacings of fixings for battens and Locator Clips to avoid risk of splitting batten



ULLTRACLAD®
 ALUMINIUM WEATHERBOARDS

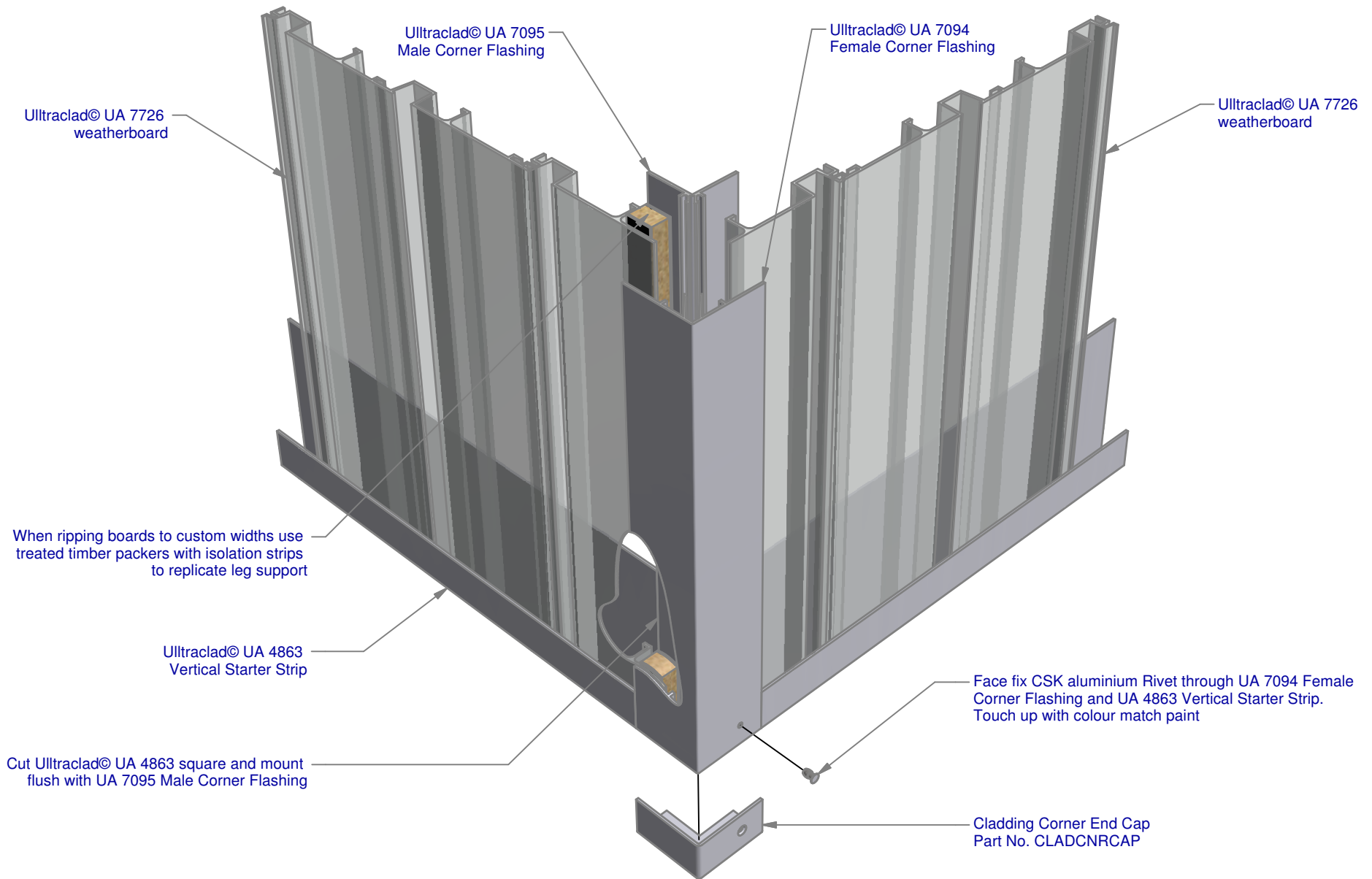
ULLRICH ALUMINIUM CO LTD
 PO Box 98 843 Manukau City Auckland 2241
 118 Wiri Station Road Wiri 2104 New Zealand
 TL 09 262 6262 Ext. 814 Mob 021 541 563
 www.ulltraclad.co.nz
 © ULLRICH ALUMINIUM - All Rights Reserved

V02
 Rev : 08

Internal Corner on Cavity
 UA 7726 SHADO 100 BOARD

VERTICAL CAVITY SYSTEM
 Scale: 1 : 2 @ A4 - 2017

Brnz Appraisal #796 2013. (Vertical)



ULLTRACLAD[®]
ALUMINIUM WEATHERBOARDS

ULLRICH ALUMINIUM CO LTD
PO Box 98 843 Manukau City Auckland 2241
118 Wiri Station Road Wiri 2104 New Zealand
TL 09 262 6262 Ext. 814 Mob 021 541 563

www.ulltracalad.co.nz

© ULLRICH ALUMINIUM - All Rights Reserved

V03

Rev : 08

90° deg Corner Cap
UA 7726 SHADO 100 BOARD

VERTICAL CAVITY SYSTEM

Scale: 1 : 3 @ A4 - 2017

Brnz Appraisal #796 2013. (Vertical)

Ultraclad® UA 7726 weatherboards fixed with Locator Clips fixed at Max 600 mm vertical centres with 8g x 2" CSK Sq S/S self tapping screws through batten into stud.

Cavity batten
Refer V00 Batten Options

Note: Underlay strips to isolate aluminium from treated timber battens
Refer V00

Ultraclad® UA 4863 Vertical Starter Strip fixed to bottom plate at 300 mm centres with 8g x 2" CSK Sq S/S self tapping screws

Ultraclad® Cavity Vent Strip
Alternatively use PVC type

Ultraclad® UA 4863 with 5 mm diameter drainage holes drilled through base of Starter at 300 mm centres

Note: 100 mm minimum to permanent paving or 175 mm to unpaved ground to clause 9.1.3 of E2/AS1

Concrete slab or Blockwork

Finished ground level

Building underlay

Interior lining

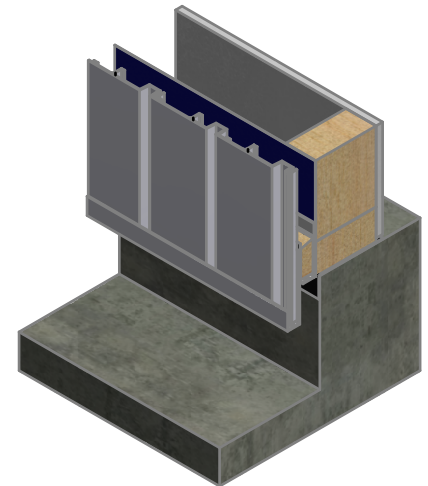
Bottom plate over DPC

Note: Ensure to alternate spacings of fixings for battens and Locator Clips to avoid risk of splitting batten

6 mm overhang (optional)

50

100



ULLTRACLAD[®]
ALUMINIUM WEATHERBOARDS

ULLRICH ALUMINIUM CO LTD
PO Box 98 843 Manukau City Auckland 2241
118 Wiri Station Road Wiri 2104 New Zealand
TL 09 262 6262 Ext. 814 Mob 021 541 563
www.ulltraclad.co.nz
© ULLRICH ALUMINIUM - All Rights Reserved

V04
Rev : 08

Vertical Wall Starter
UA 7726 SHADO 100 BOARD
VERTICAL CAVITY SYSTEM
Scale: 1 : 2 @ A4 - 2017

Brnz Appraisal #796 2013. (Vertical)

Note: Ensure to alternate spacings of fixings for battens and Locator Clips to avoid risk of splitting batten

Sealant over PEF Backing Rod
Screw through UA 7584 base at Max 600 mm horizontal centres with 8g x 2" CSK Sq. S/S self tapping screws through batten into stud
Ultraclad® UA 5833 Soffit Clip Top
Minimum 5 mm clearance to allow for thermal expansion

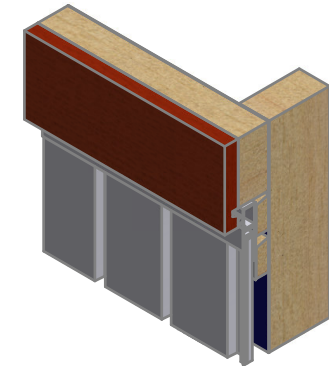
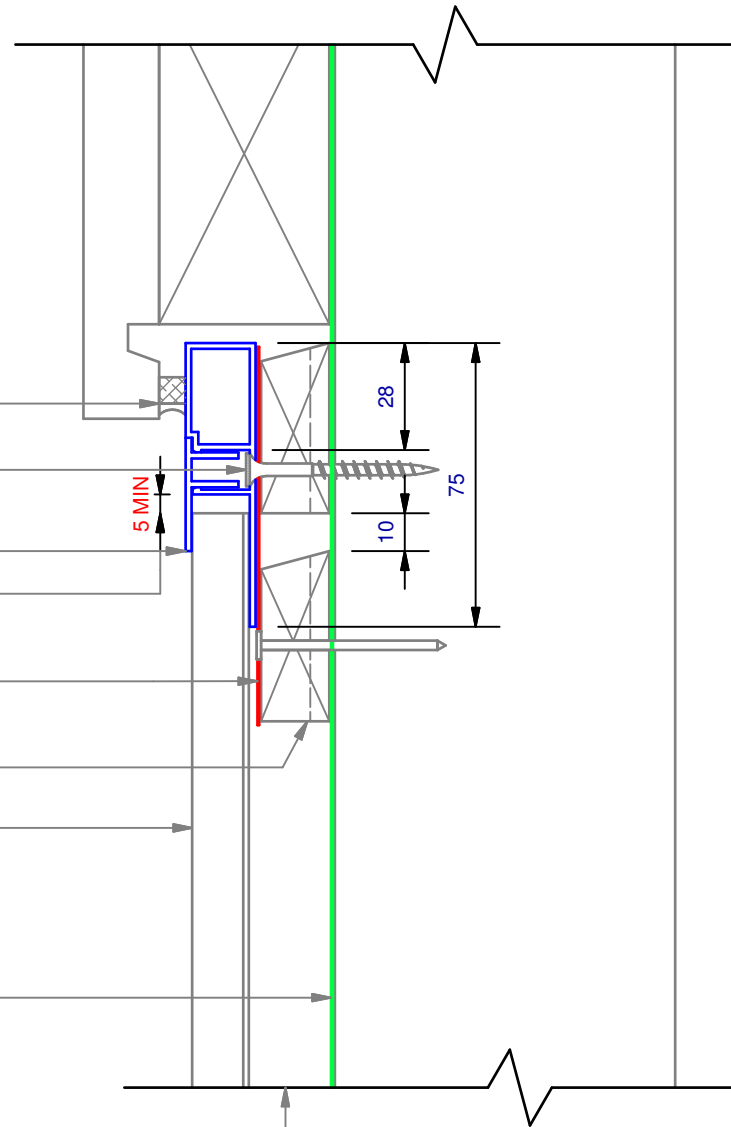
Note: Underlay strips to isolate aluminium from treated timber battens Refer V00

Cavity batten Refer V00 Batten Options

Ultraclad® UA 7726 weatherboards fixed with Locator Clips fixed at Max 600 mm vertical centres with 8g x 2" CSK Sq S/S self tapping screws through batten into stud.

Building underlay

Drained and vented cavity as per NZBC clause E2/AS1 (section 9.1.8)



ULLTRACLAD®
ALUMINIUM WEATHERBOARDS

ULLRICH ALUMINIUM CO LTD
PO Box 98 843 Manukau City Auckland 2241
118 Wiri Station Road Wiri 2104 New Zealand
TL 09 262 6262 Ext. 814 Mob 021 541 563

www.ulltraclad.co.nz

© ULLRICH ALUMINIUM - All Rights Reserved

V05

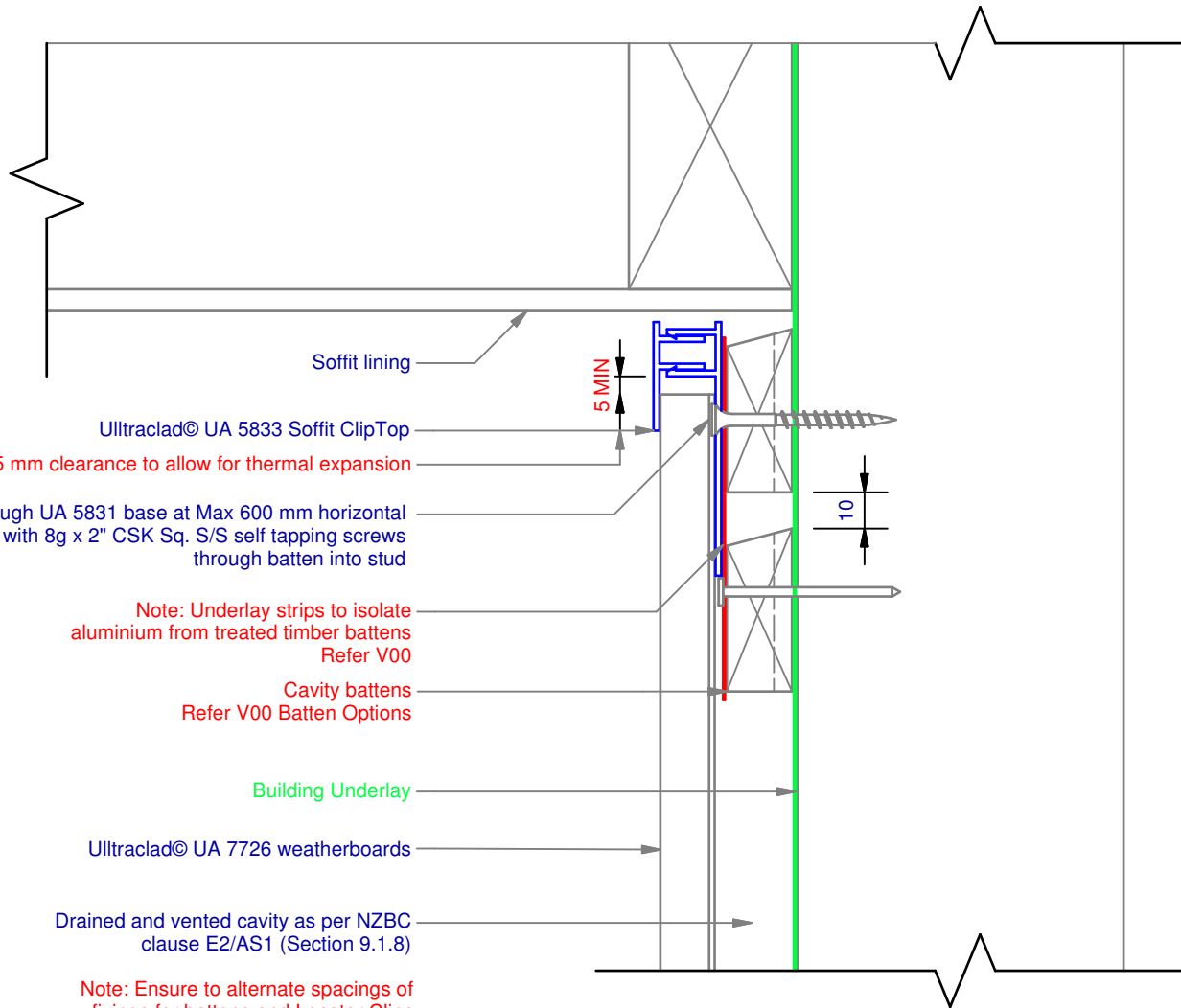
Rev : 08

No Soffit Detail on Cavity
UA 7726 SHADO 100 BOARD

VERTICAL CAVITY SYSTEM

Scale: 1 : 2 @ A4 - 2017

Brnz Appraisal #796 2013. (Vertical)



Minimum 5 mm clearance to allow for thermal expansion

Screw through UA 5831 base at Max 600 mm horizontal centres with 8g x 2" CSK Sq. S/S self tapping screws through batten into stud

Note: Underlay strips to isolate aluminium from treated timber battens Refer V00

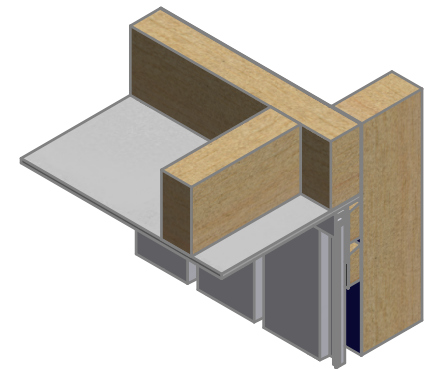
Cavity battens Refer V00 Batten Options

Building Underlay

Ulltraclad UA 7726 weatherboards

Drained and vented cavity as per NZBC clause E2/AS1 (Section 9.1.8)

Note: Ensure to alternate spacings of fixings for battens and Locator Clips to avoid risk of splitting batten



ULLTRACLAD[®]
ALUMINIUM WEATHERBOARDS

ULLRICH ALUMINIUM CO LTD
PO Box 98 843 Manukau City Auckland 2241
118 Wiri Station Road Wiri 2104 New Zealand
TL 09 262 6262 Ext. 814 Mob 021 541 563

www.ulltraclad.co.nz

© ULLRICH ALUMINIUM - All Rights Reserved

V06

Rev : 08

Soffit Detail on Cavity
UA 7726 SHADO 100 BOARD

VERTICAL CAVITY SYSTEM

Scale: 1 : 2 @ A4 - 2017

Brnz Appraisal #796 2013. (Vertical)

Ultraclad® UA 7726 weatherboards fixed with Locator Clips fixed at Max 600 mm vertical centres with 8g x 2" CSK Sq S/S self tapping screws through batten into stud.

Interior lining

Bottom plate

Flooring to finish 10 mm back from outside framing

10

Timber floor structure in accordance with NZS3604: 2011

Building Underlay

Cavity batten
Refer V00 Batten Options

Ultraclad® UA 4863 Vertical Starter Strip fixed to bottom plate at 300 mm centres with 8g x 2" CSK Sq. S/S self tapping screws

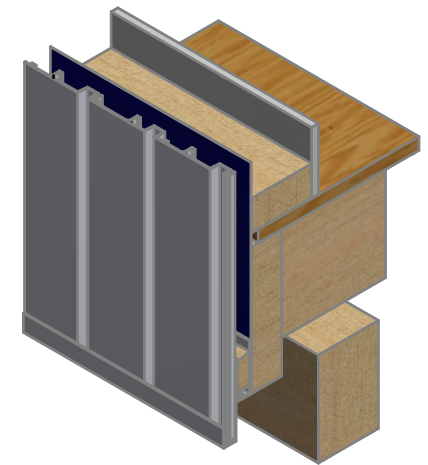
Note: Underlay strips to isolate aluminium from treated timber battens
Refer V00

Ultraclad® Cavity Vent Strip
Alternatively use PVC type

Ultraclad® UA 4863 with 5 mm diameter drainage holes drilled through base of Starter at 300 mm centres

50 MIN

Note: Ensure to alternate spacings of fixings for battens and Locator Clips to avoid risk of splitting batten



ULLTRACLAD[®]
ALUMINIUM WEATHERBOARDS

ULLRICH ALUMINIUM CO LTD
PO Box 98 843 Manukau City Auckland 2241
118 Wiri Station Road Wiri 2104 New Zealand
TL 09 262 6262 Ext. 814 Mob 021 541 563

www.ulltraclad.co.nz

© ULLRICH ALUMINIUM - All Rights Reserved

V07

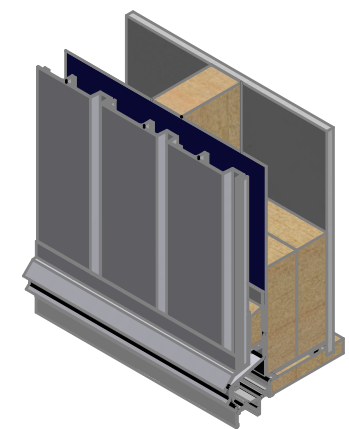
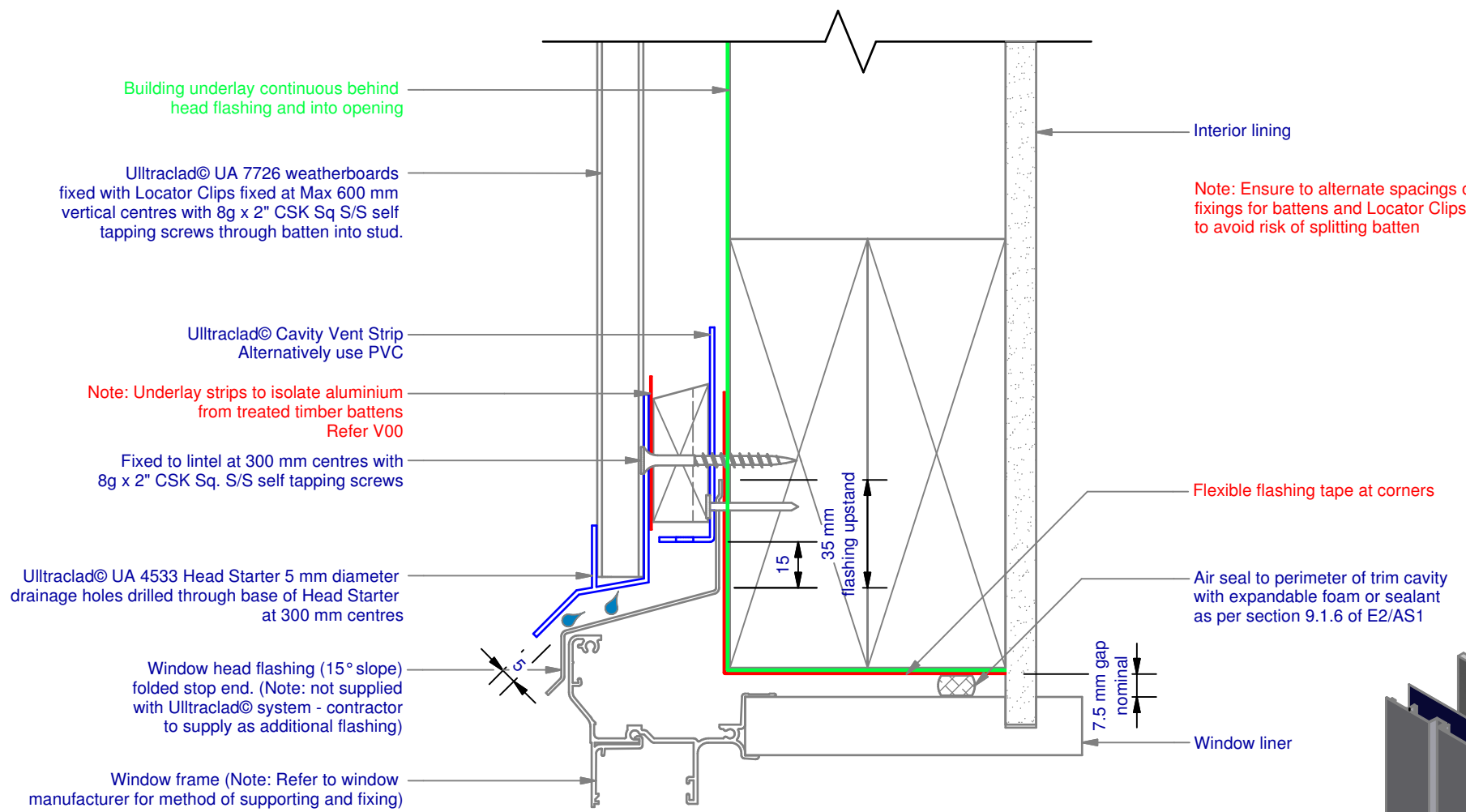
Rev : 08

Timber Floor on Cavity
UA 7726 SHADO 100 BOARD

VERTICAL CAVITY SYSTEM

Scale: 1 : 3 @ A4 - 2017

Brnz Appraisal #796 2013. (Vertical)



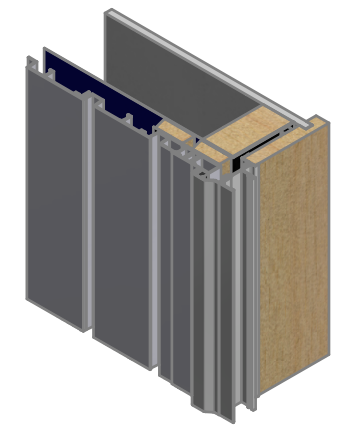
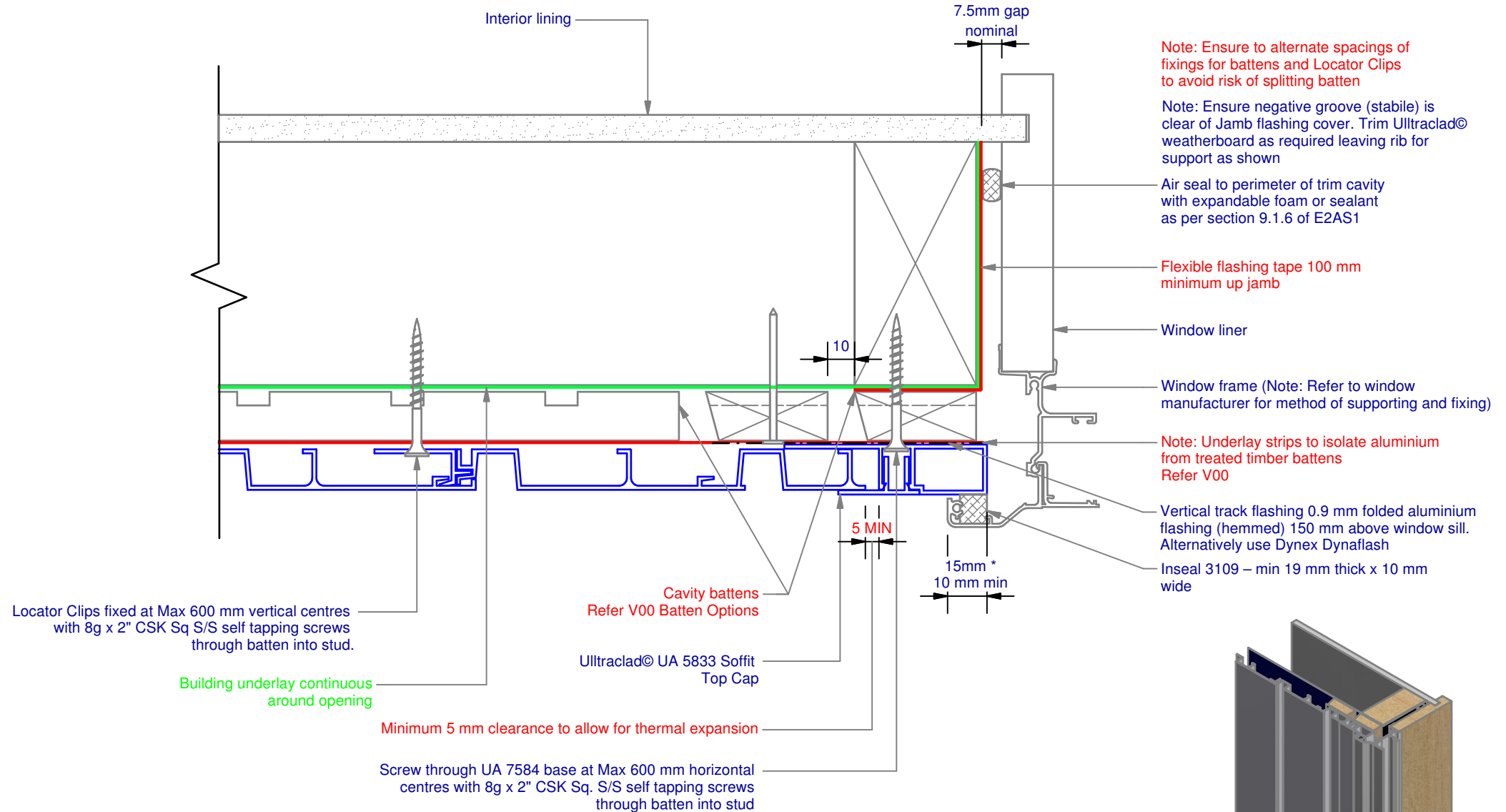
ULLTRACLAD®
ALUMINIUM WEATHERBOARDS

ULLRICH ALUMINIUM CO LTD
PO Box 98 843 Manukau City Auckland 2241
118 Wiri Station Road Wiri 2104 New Zealand
TL 09 262 6262 Ext. 814 Mob 021 541 563
www.ulltraclad.co.nz
© ULLRICH ALUMINIUM - All Rights Reserved

V08
Rev : 08

Window Head on Cavity
UA 7726 SHADO 100 BOARD
VERTICAL CAVITY SYSTEM
Scale: 1 : 2 @ A4 - 2017

Brnz Appraisal #796 2013. (Vertical)



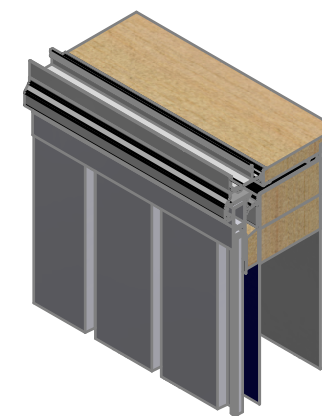
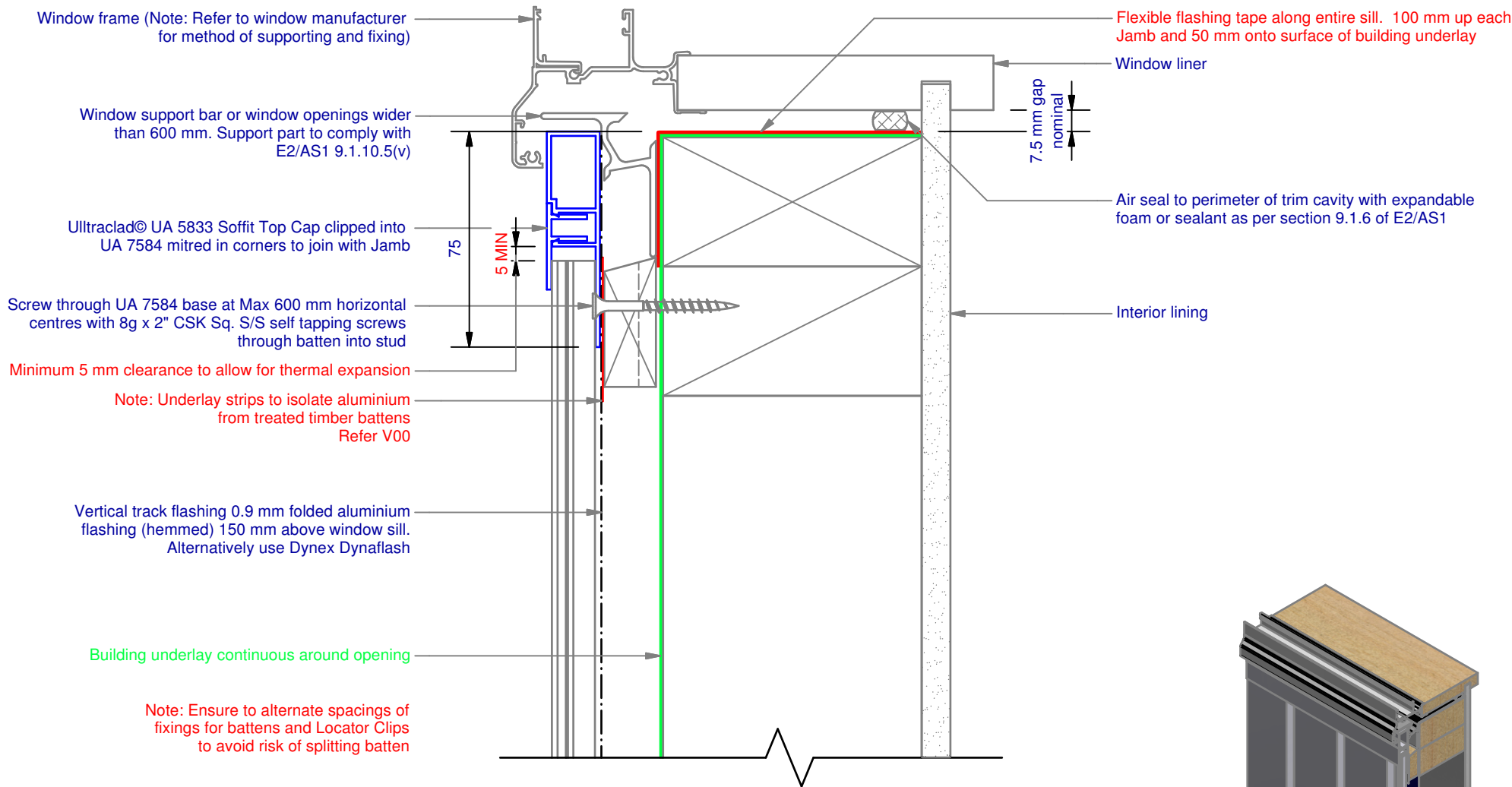
ULLTRACLAD[®]
ALUMINIUM WEATHERBOARDS

ULLRICH ALUMINIUM CO LTD
PO Box 98 843 Manukau City Auckland 2241
118 Wiri Station Road Wiri 2104 New Zealand
TL 09 262 6262 Ext. 814 Mob 021 541 563
www.ulltraclad.co.nz
© ULLRICH ALUMINIUM - All Rights Reserved

V09
Rev : 08

Window Jamb on Cavity
UA 7726 SHADO 100 BOARD
VERTICAL CAVITY SYSTEM
Scale: 1 : 2 @ A4 - 2017

Brnz Appraisal #796 2013. (Vertical)



ULLTRACLAD®
ALUMINIUM WEATHERBOARDS

ULLRICH ALUMINIUM CO LTD
PO Box 98 843 Manukau City Auckland 2241
118 Wiri Station Road Wiri 2104 New Zealand
TL 09 262 6262 Ext. 814 Mob 021 541 563

www.ulltraclad.co.nz

© ULLRICH ALUMINIUM - All Rights Reserved

V10

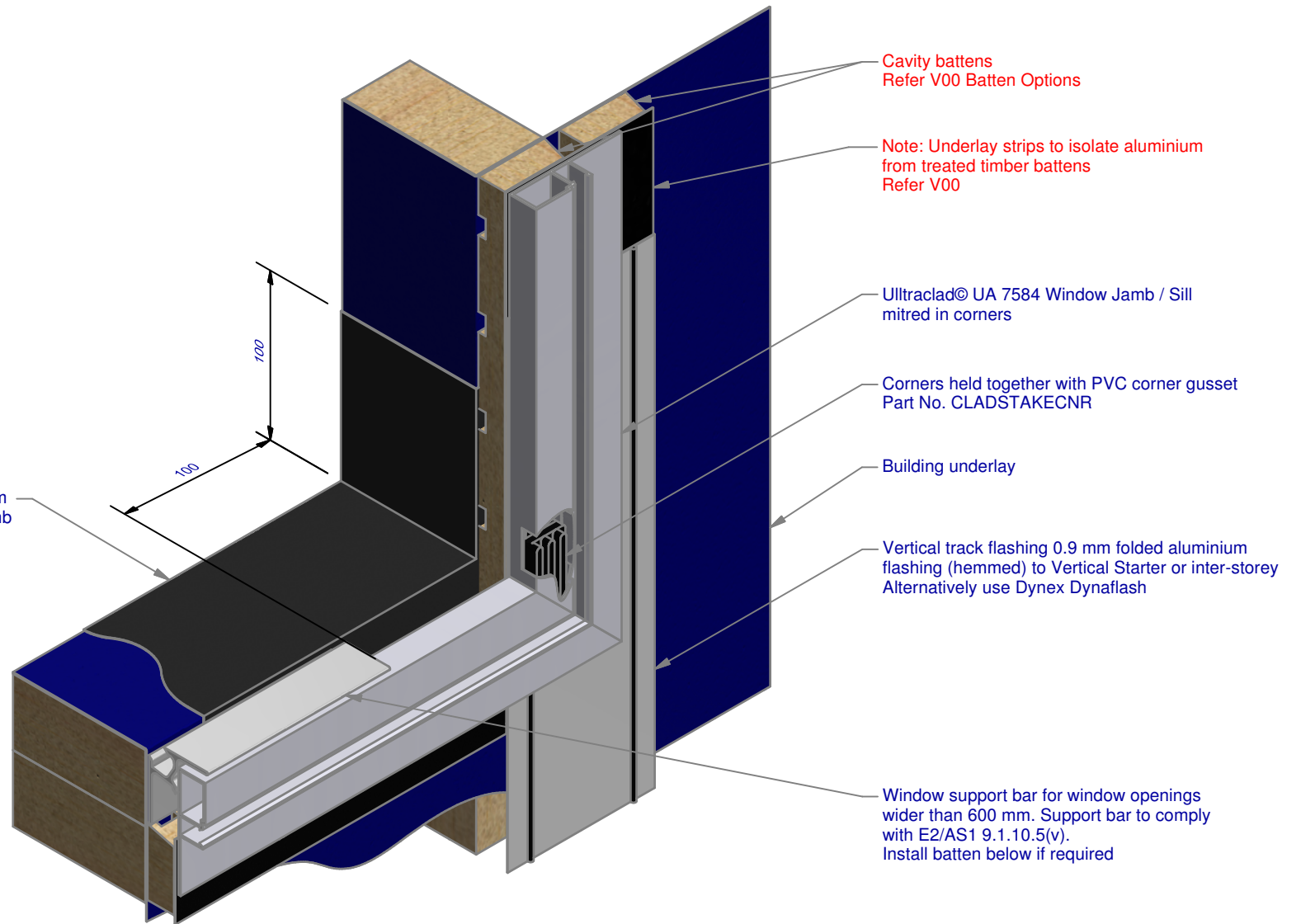
Rev : 08

Window Sill on Cavity
UA 7726 SHADO 100 BOARD

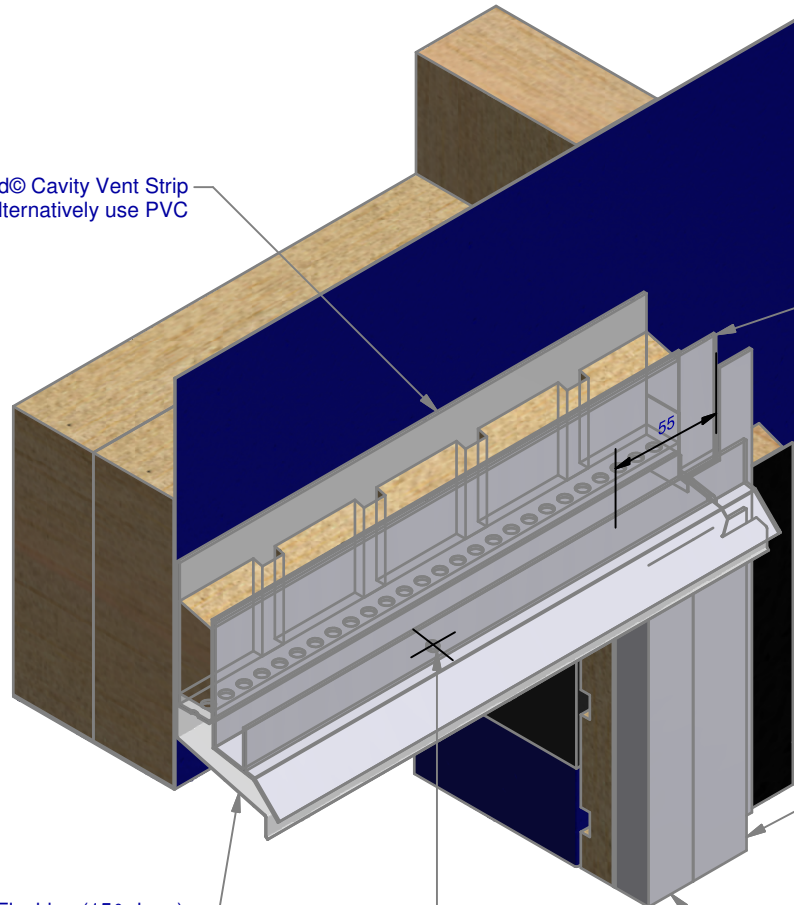
VERTICAL CAVITY SYSTEM

Scale: 1 : 2 @ A4 - 2017

Brnz Appraisal #796 2013. (Vertical)



Ultraclad® Cavity Vent Strip
Alternatively use PVC



Ultraclad® UA 4533
Head Starter

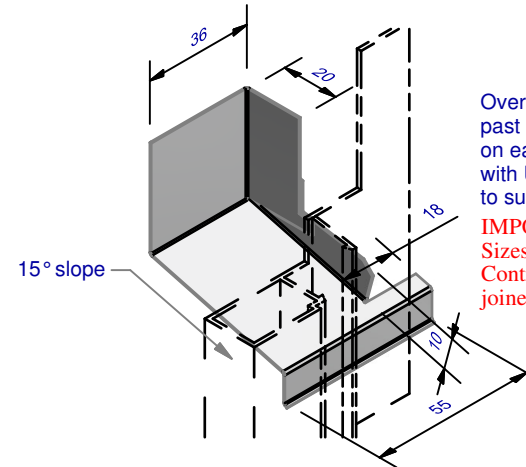
Ultraclad® UA 5833
Soffit Clip Top

Ultraclad® UA 7584
Jamb Flashing

Window Head Flashing (15° slope)
folded stop end. (Note: not supplied
with Ultraclad® system - contractor
to supply as additional flashing)

Ultraclad® UA 4533 Head Starter 5 mm diameter drainage
holes drilled through base of Head Starter at 300 mm centres

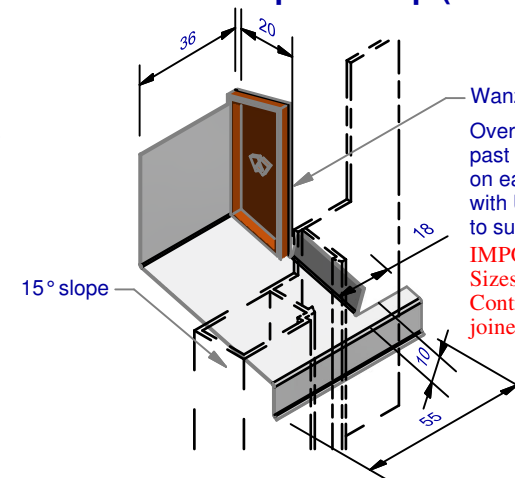
Window Head Flashing **Option 1** Cut & Fold Stop End (1 : 2)



Overall Head Flashing length = +40 mm
past edge of window and door joinery
on each side. (Note: not supplied
with Ultraclad® system - contractor
to supply as additional flashing)

IMPORTANT:
Sizes shown are indicative only!
Contractor to confirm onsite as
joinery suites may vary.

Window Head Flashing **Option 2** Wanz Plastic Stop End Cap (1 : 2)



Wanz Plastic Stop End

Overall Head Flashing length = +40 mm
past edge of window and door joinery
on each side. (Note: not supplied
with Ultraclad® system - contractor
to supply as additional flashing)

IMPORTANT:
Sizes shown are indicative only!
Contractor to confirm onsite as
joinery suites may vary.

ULLTRACLAD®
ALUMINIUM WEATHERBOARDS

ULLRICH ALUMINIUM CO LTD
PO Box 98 843 Manukau City Auckland 2241
118 Wiri Station Road Wiri 2104 New Zealand
TL 09 262 6262 Ext. 814 Mob 021 541 563

www.ulltraclad.co.nz

© ULLRICH ALUMINIUM - All Rights Reserved

V12

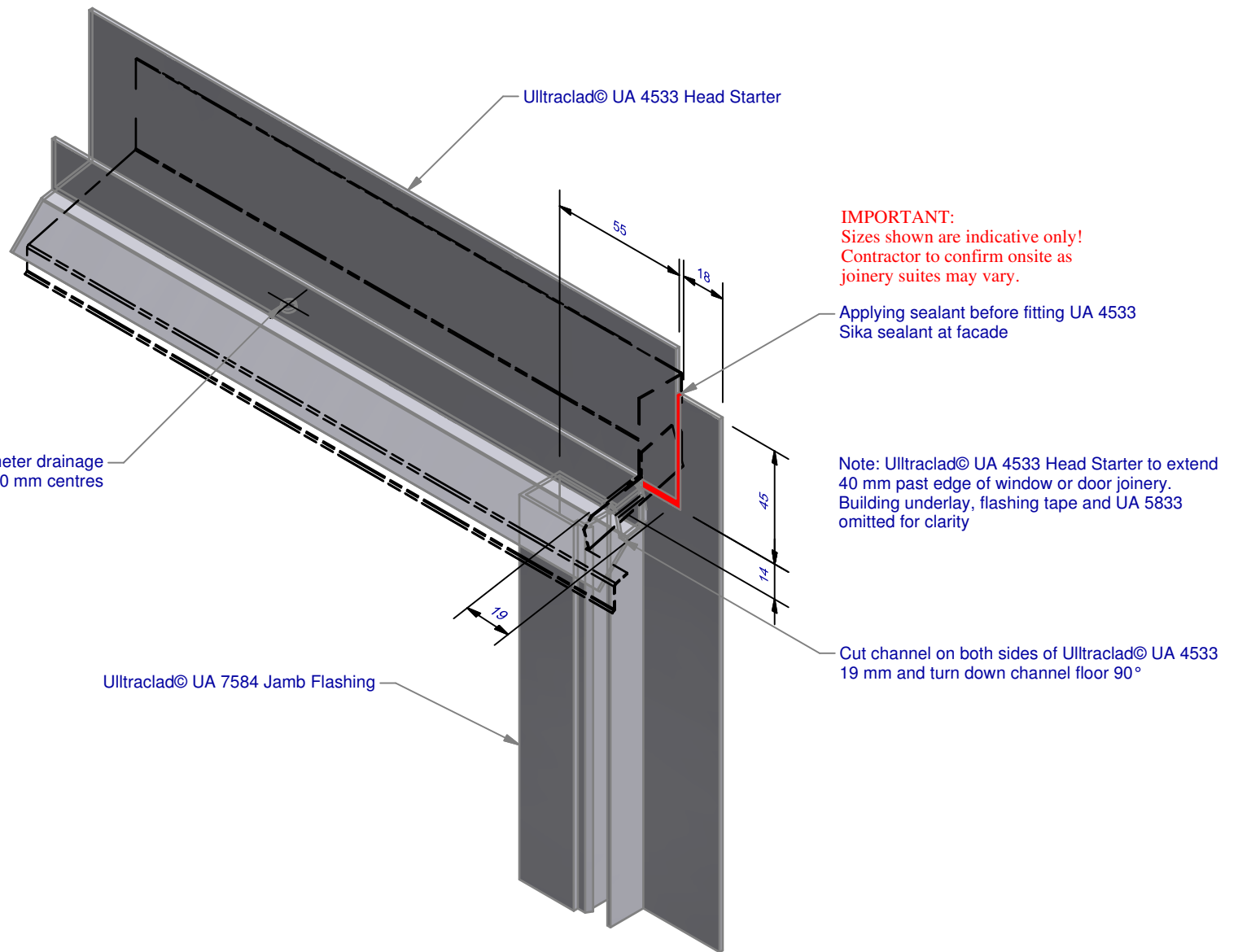
Rev : 08

Head flashing / Head Starter / Jamb iso
UA 7726 SHADO 100 BOARD

VERTICAL CAVITY SYSTEM

Scale: 1 : 3 @ A4 - 2017

Brnz Appraisal #796 2013. (Vertical)



Ulltraclad® UA 4533 Head Starter

IMPORTANT:
 Sizes shown are indicative only!
 Contractor to confirm onsite as
 joinery suites may vary.

Applying sealant before fitting UA 4533
 Sika sealant at facade

Note: Ulltraclad® UA 4533 Head Starter to extend
 40 mm past edge of window or door joinery.
 Building underlay, flashing tape and UA 5833
 omitted for clarity

Cut channel on both sides of Ulltraclad® UA 4533
 19 mm and turn down channel floor 90°

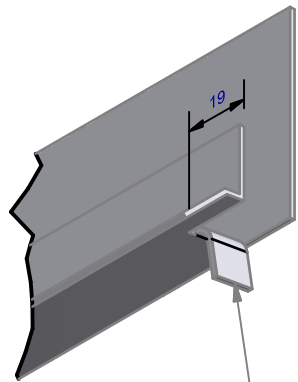
Ulltraclad® UA 4533 Head Starter 5 mm diameter drainage
 holes drilled through base of Head Starter at 300 mm centres

Ulltraclad® UA 7584 Jamb Flashing

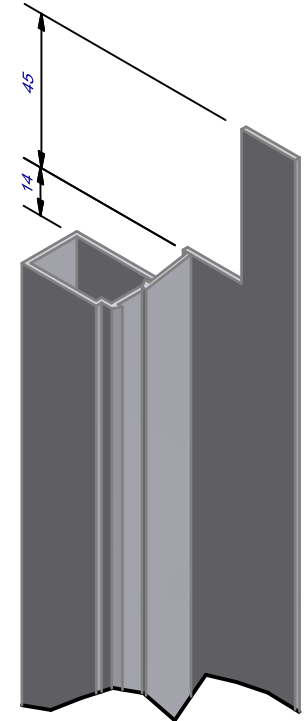
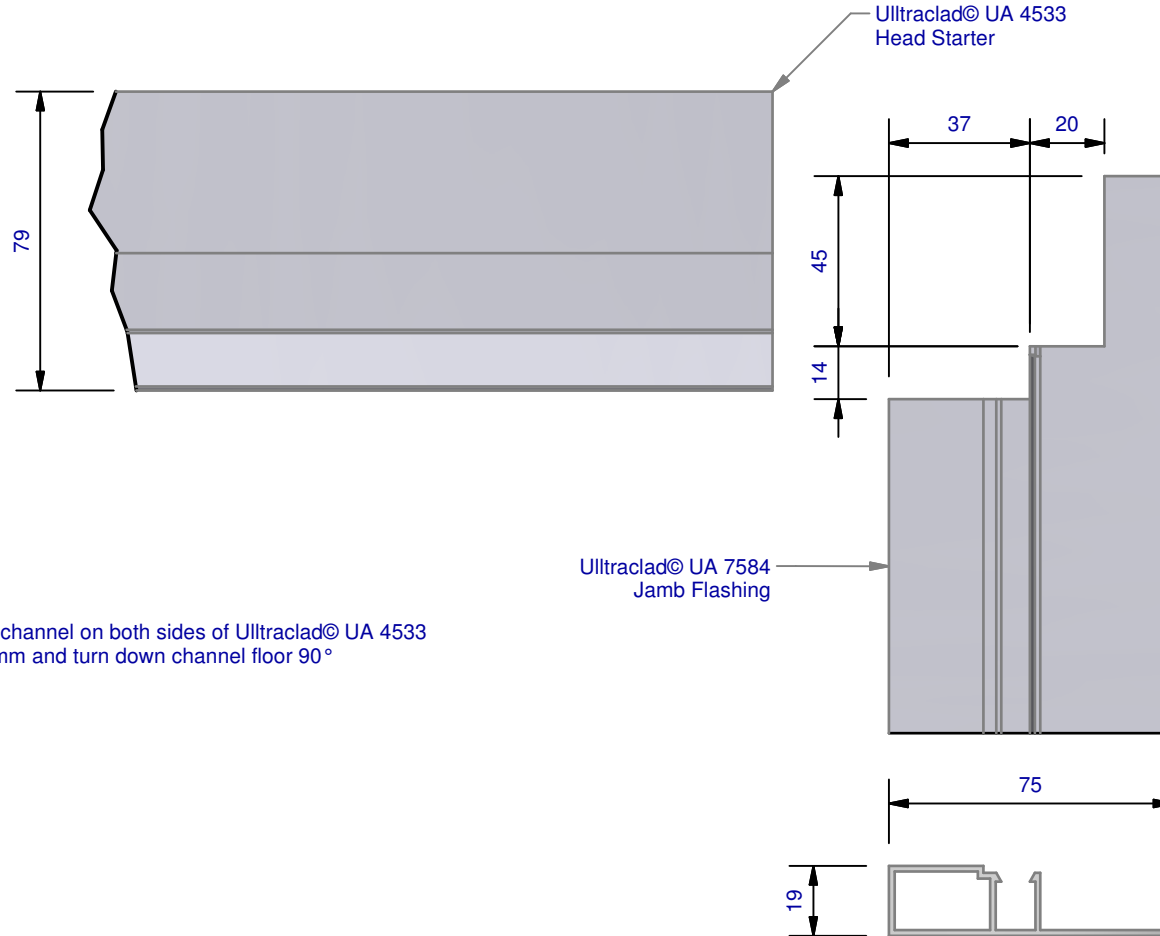
Ultraclad® UA 4533 Head Starter 5 mm diameter drainage holes drilled through base of Head Starter at 300 mm centres



IMPORTANT:
 Sizes shown are indicative only!
 Contractor to confirm onsite as
 joinery suites may vary.



Cut channel on both sides of Ultraclad® UA 4533
 19 mm and turn down channel floor 90°



ULLTRACLAD®
 ALUMINIUM WEATHERBOARDS

ULLRICH ALUMINIUM CO LTD
 PO Box 98 843 Manukau City Auckland 2241
 118 Wiri Station Road Wiri 2104 New Zealand
 TL 09 262 6262 Ext. 814 Mob 021 541 563
 www.ulltraclad.co.nz
 © ULLRICH ALUMINIUM - All Rights Reserved

V14

Rev : 08

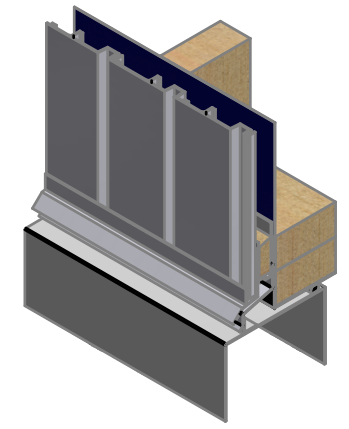
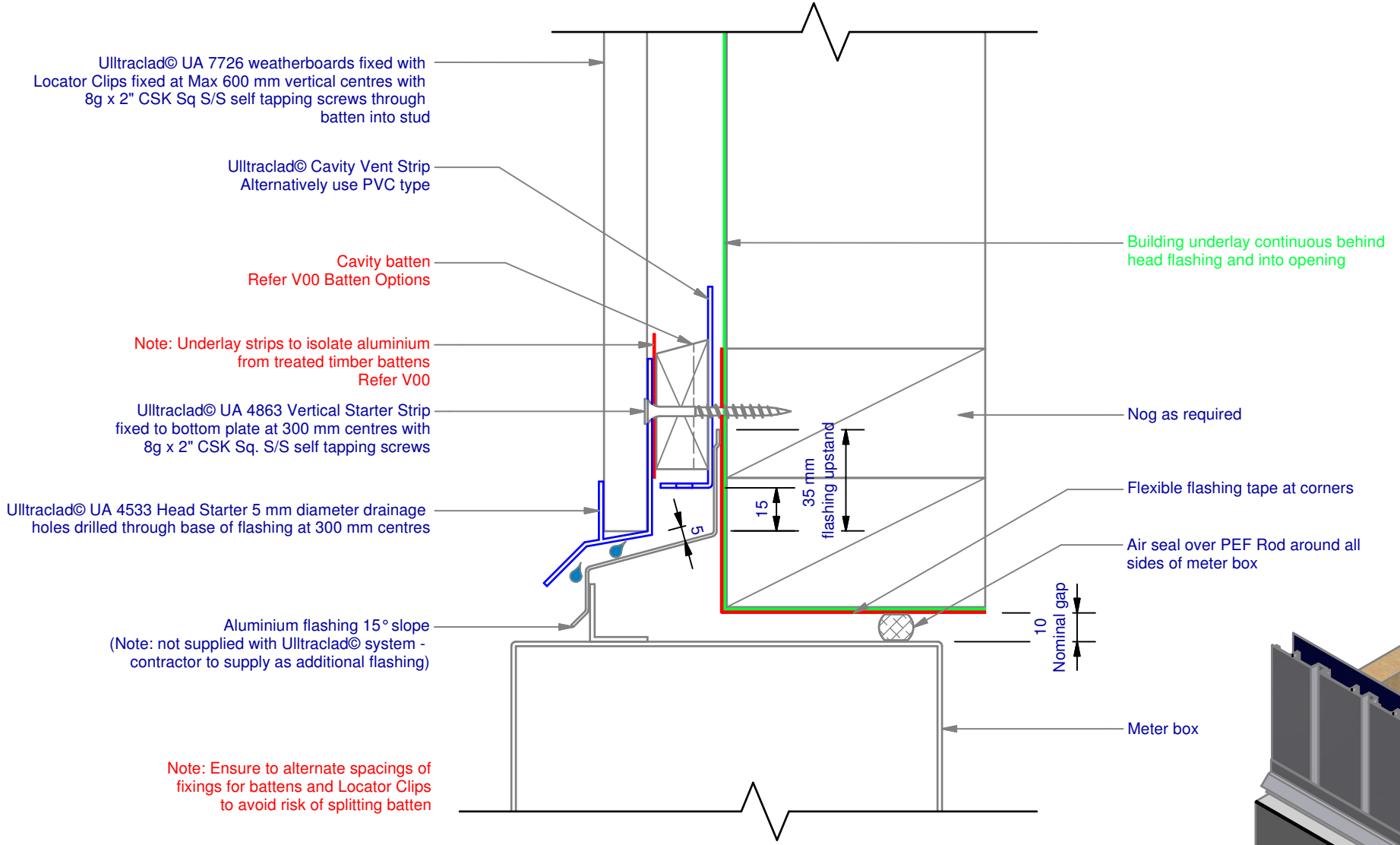
Head - Jamb Notching Details

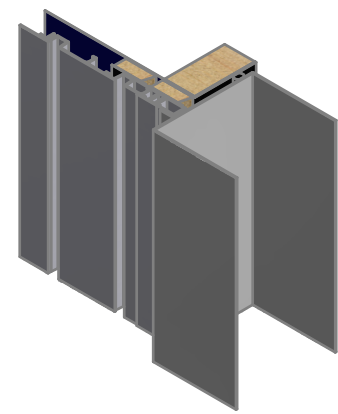
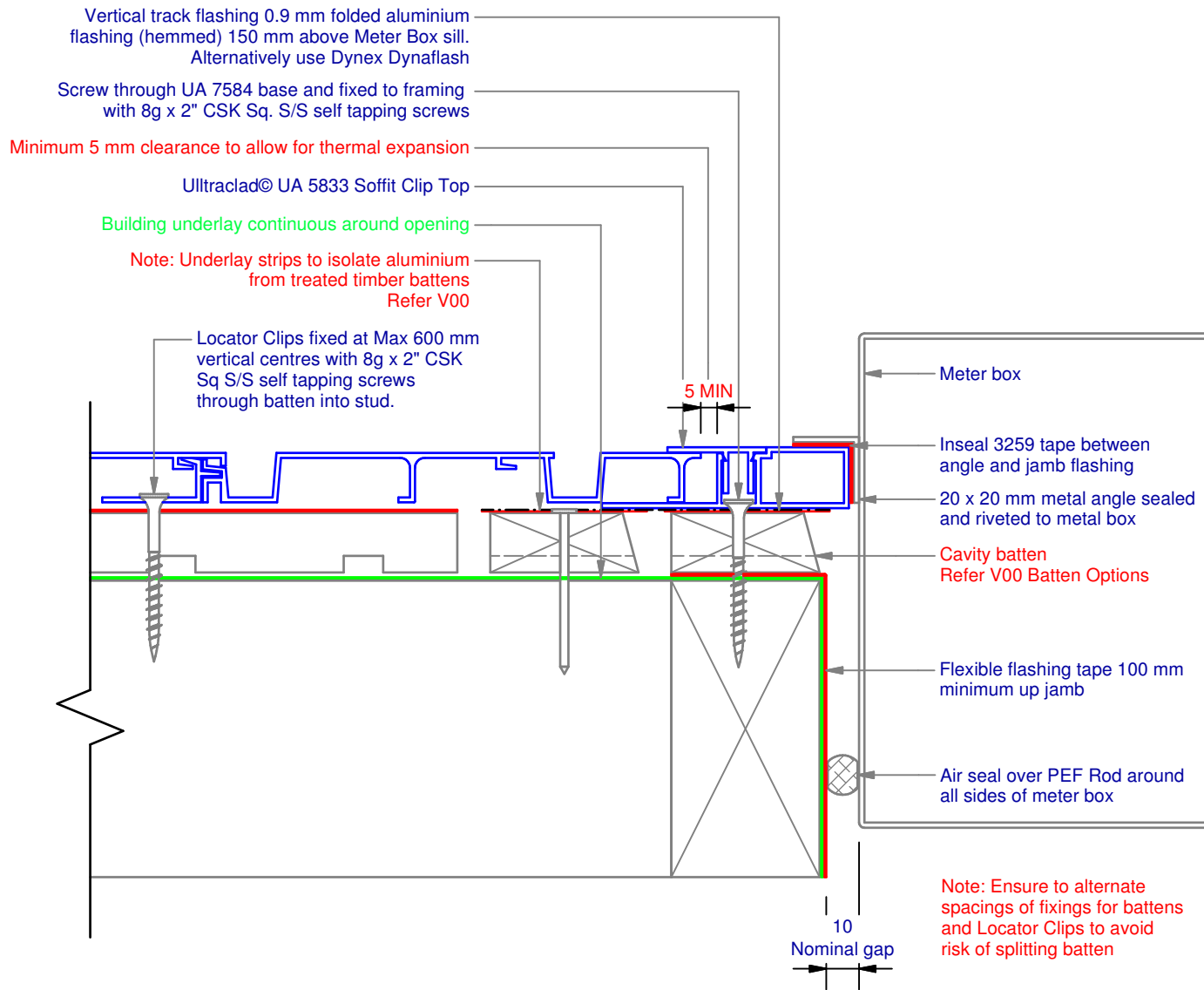
UA 7726 SHADO 100 BOARD

VERTICAL CAVITY SYSTEM

Scale: 1 : 2 @ A4 - 2017

Brnz Appraisal #796 2013. (Vertical)





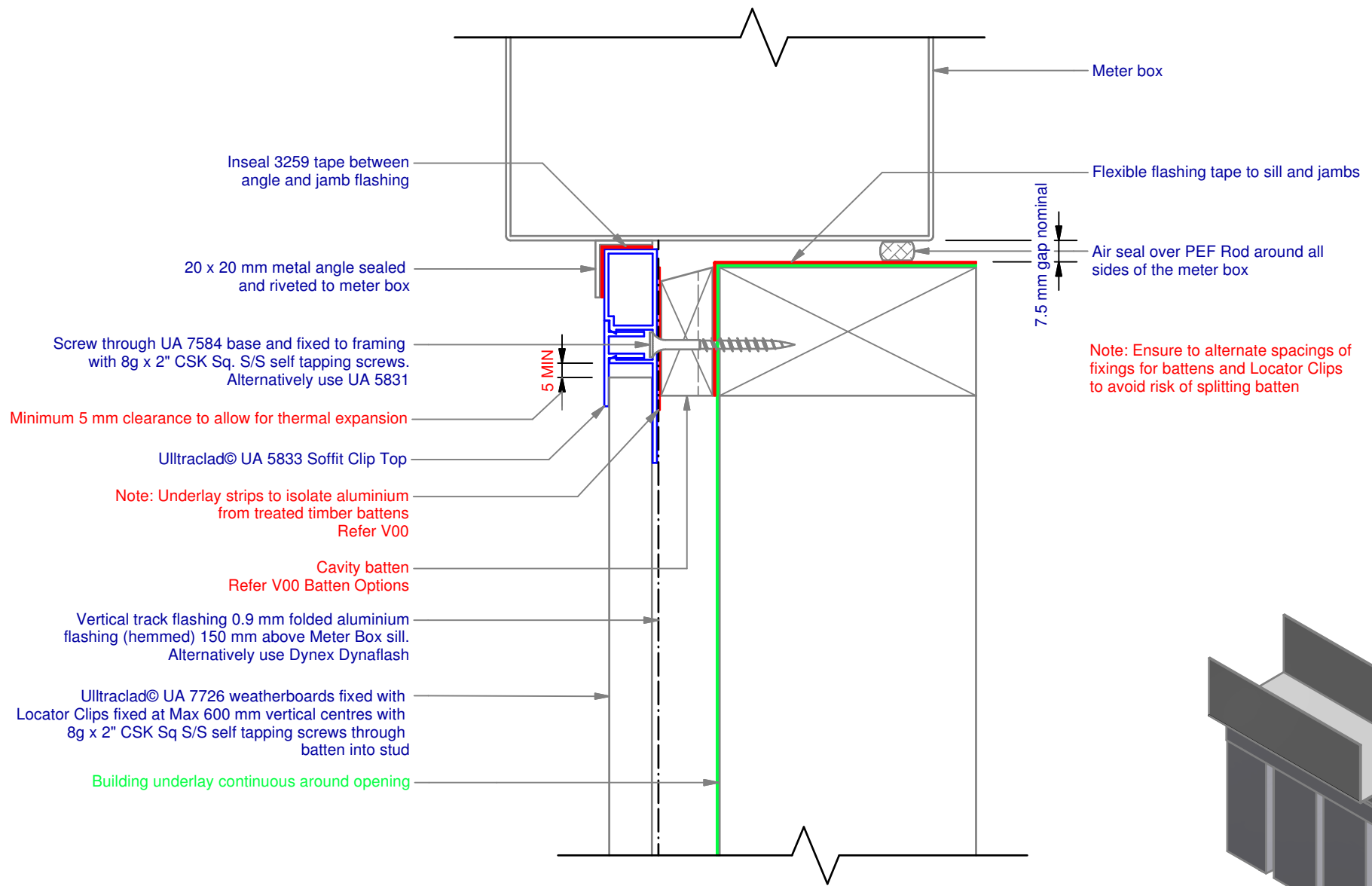
ULLTRACLAD[®]
ALUMINIUM WEATHERBOARDS

ULLRICH ALUMINIUM CO LTD
PO Box 98 843 Manukau City Auckland 2241
118 Wiri Station Road Wiri 2104 New Zealand
TL 09 262 6262 Ext. 814 Mob 021 541 563
www.ulltraclad.co.nz
© ULLRICH ALUMINIUM - All Rights Reserved

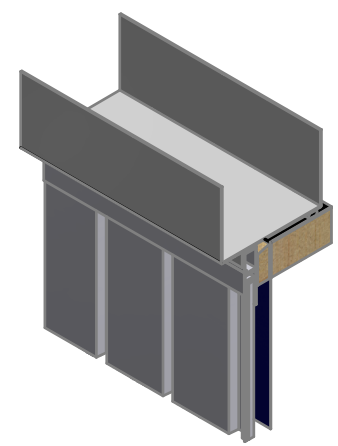
V16
Rev : 08

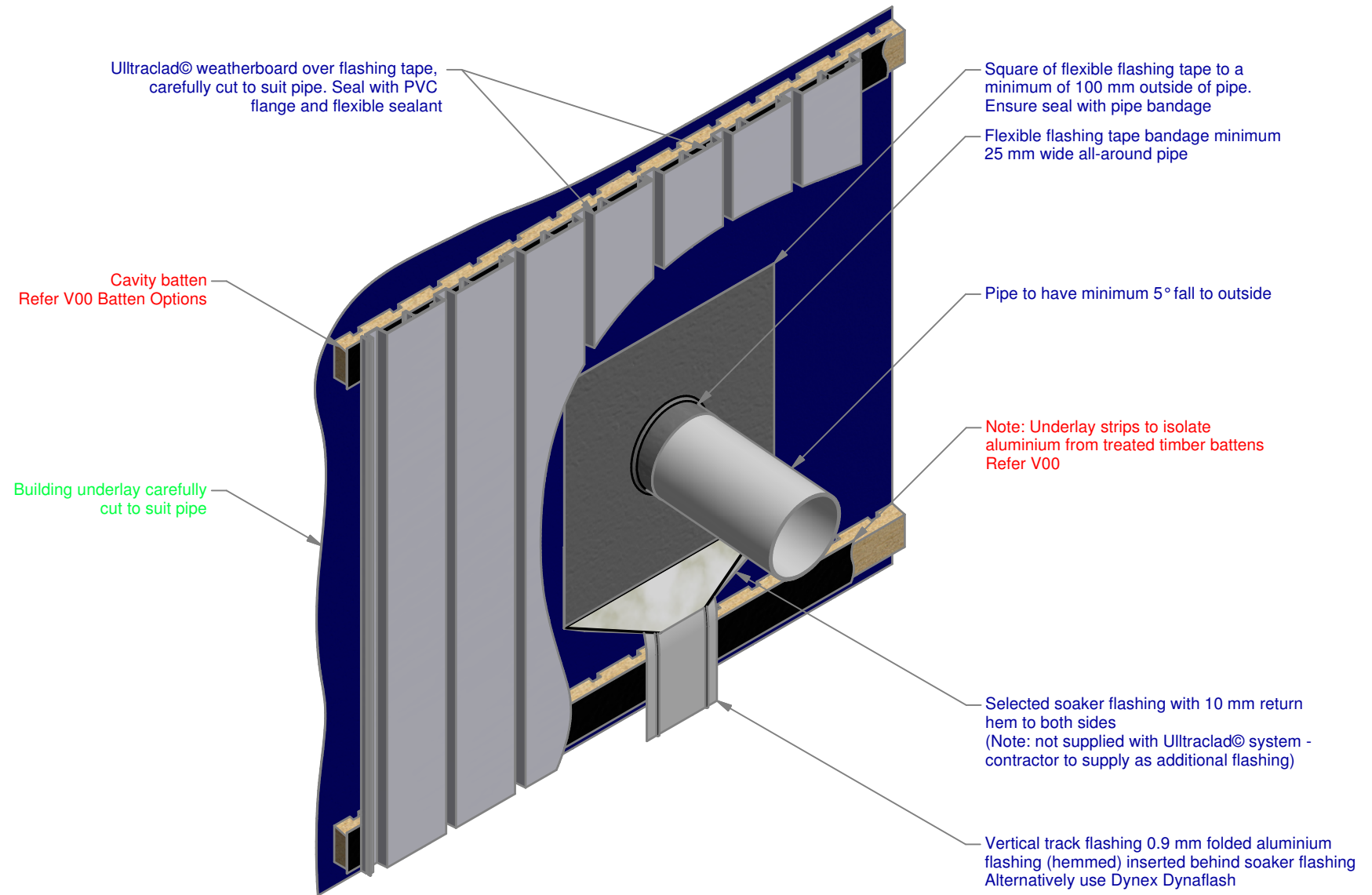
Meter Box Jamb on Cavity
UA 7726 SHADO 100 BOARD
VERTICAL CAVITY SYSTEM
Scale: 1 : 2 @ A4 - 2017

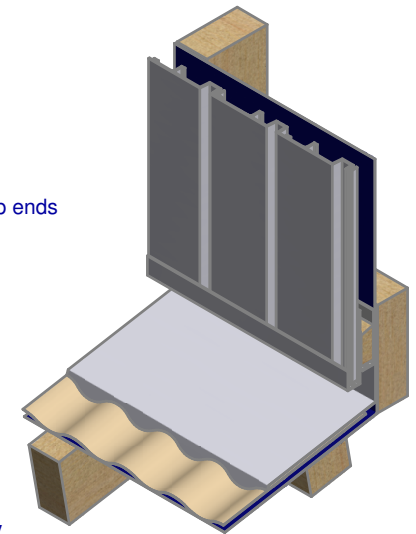
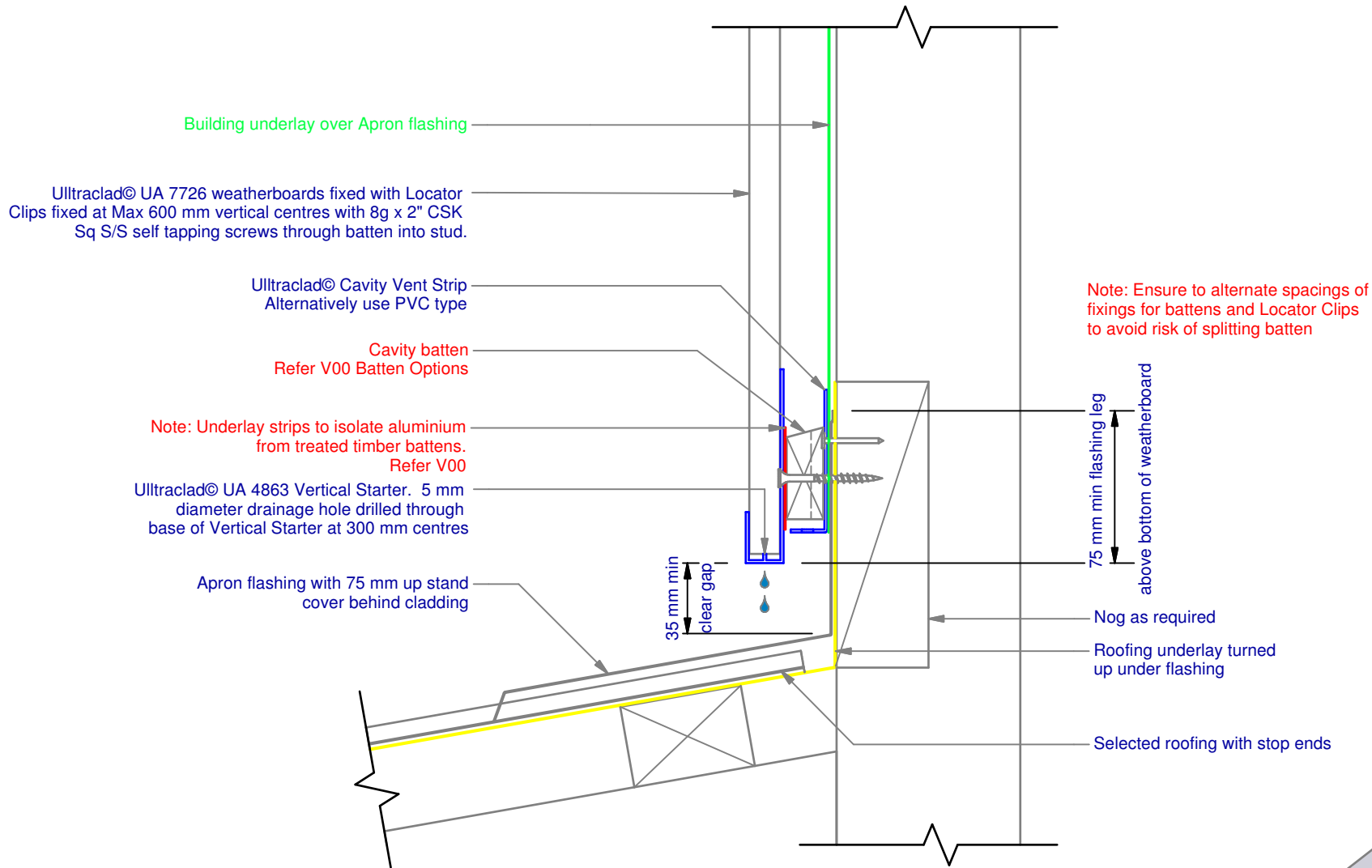
Brnz Appraisal #796 2013. (Vertical)

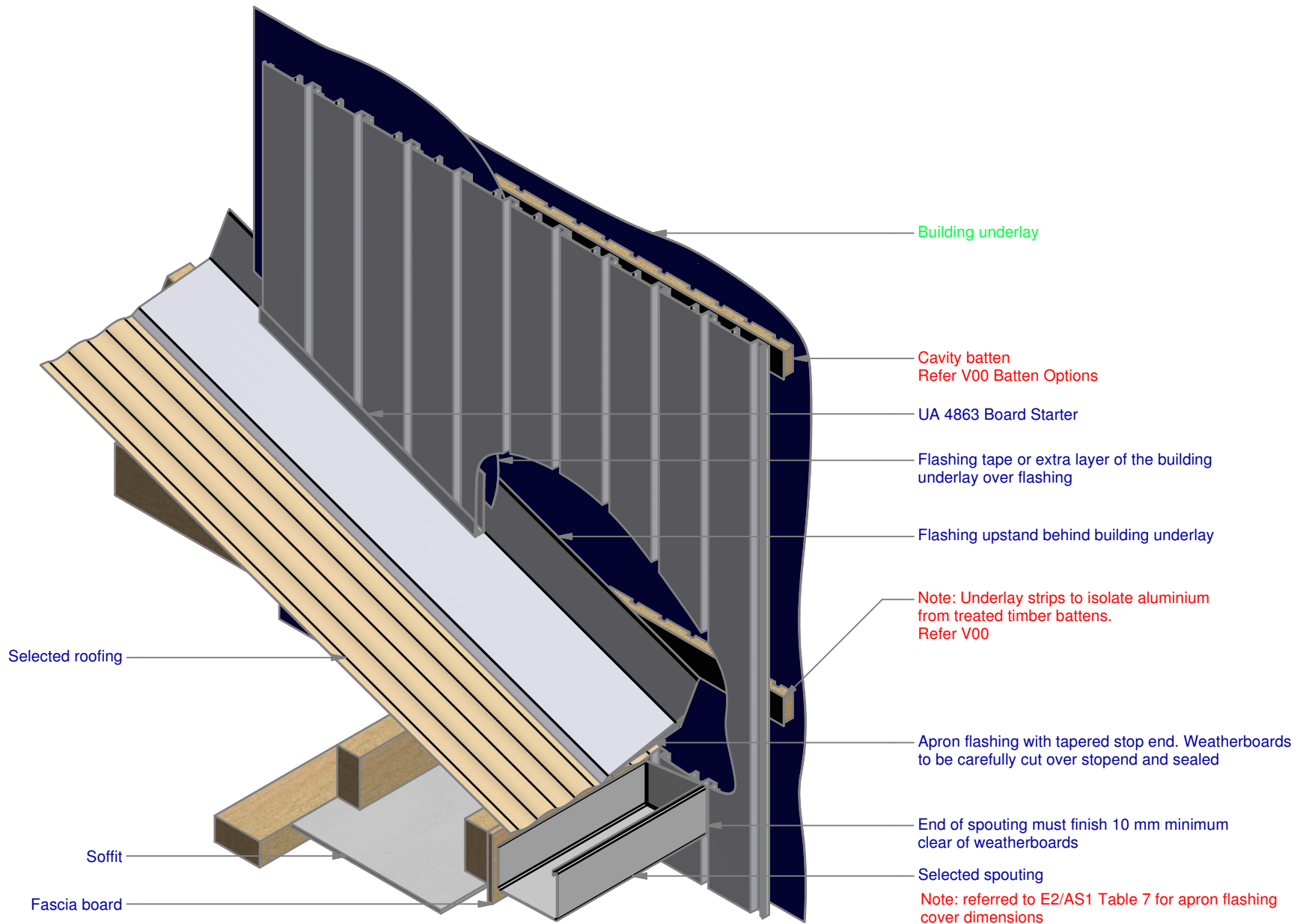


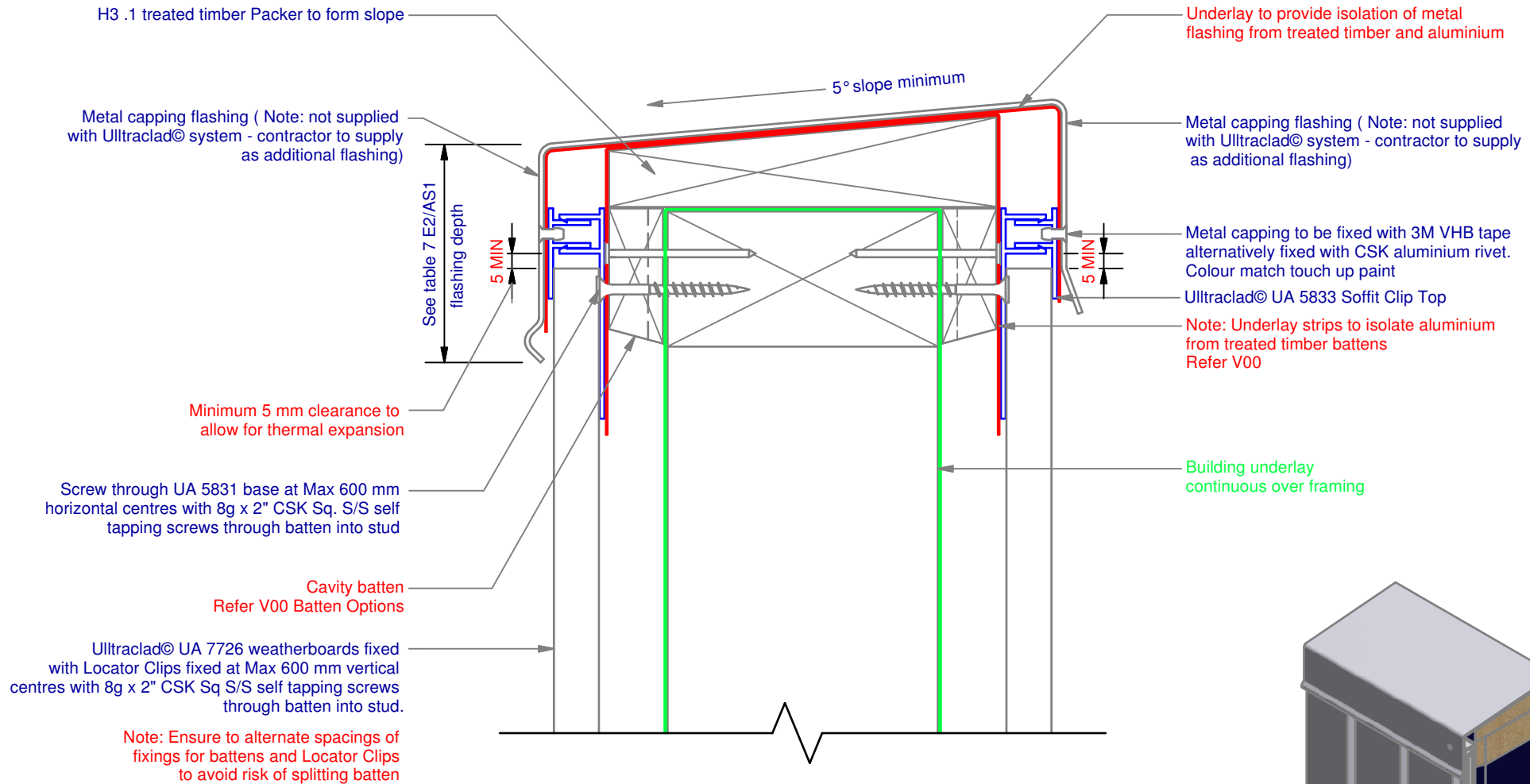
Note: Ensure to alternate spacings of fixings for battens and Locator Clips to avoid risk of splitting batten

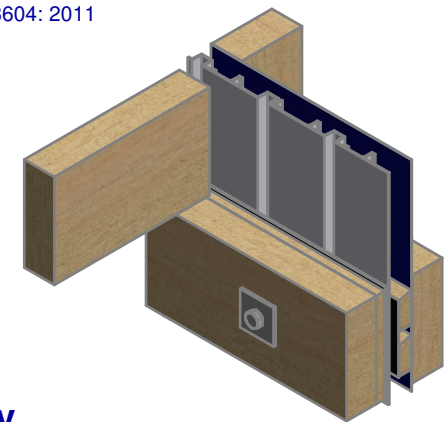
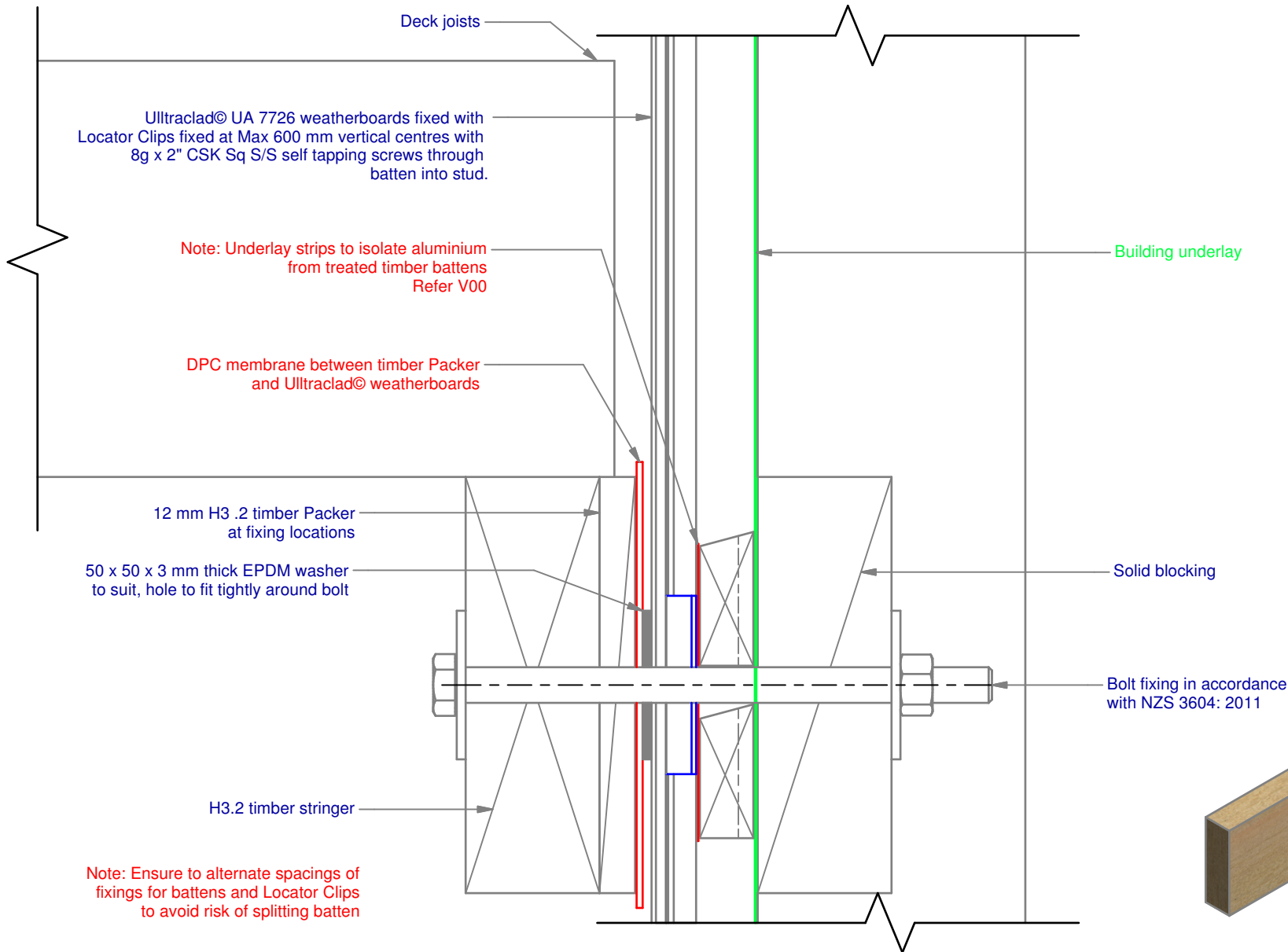












ULLTRACLAD®
ALUMINIUM WEATHERBOARDS

ULLRICH ALUMINIUM CO LTD
PO Box 98 843 Manukau City Auckland 2241
118 Wiri Station Road Wiri 2104 New Zealand
TL 09 262 6262 Ext. 814 Mob 021 541 563

www.ulltraclad.co.nz

© ULLRICH ALUMINIUM - All Rights Reserved

V22

Rev : 08

Deck Junction on Cavity
UA 7726 SHADO 100 BOARD

VERTICAL CAVITY SYSTEM

Scale: 1 : 2 @ A4 - 2017

Brnz Appraisal #796 2013. (Vertical)

Note: Ensure to alternate spacings of fixings for battens and Locator Clips to avoid risk of splitting batten

Ultraclad® UA 7726 weatherboards fixed with Locator Clips fixed at Max 600 mm vertical centres with 8g x 2" CSK Sq S/S self tapping screws through batten into stud.

Building underlay

Cavity batten
Refer V00 Batten Options

Note: Underlay strips to isolate aluminium from treated timber battens
Refer V00

Ultraclad® UA 4863 Vertical Starter Strip fixed to bottom plate at 300 mm centres with 8g x 2" CSK Sq S/S self tapping screws

Ultraclad® UA 4863 with 5 mm diameter drainage holes drilled through base of Starter at 300 mm centres

Aluminium inter-storey flashing 15° slope
(Note: not supplied with Ultraclad® system - contractor to supply as additional flashing)

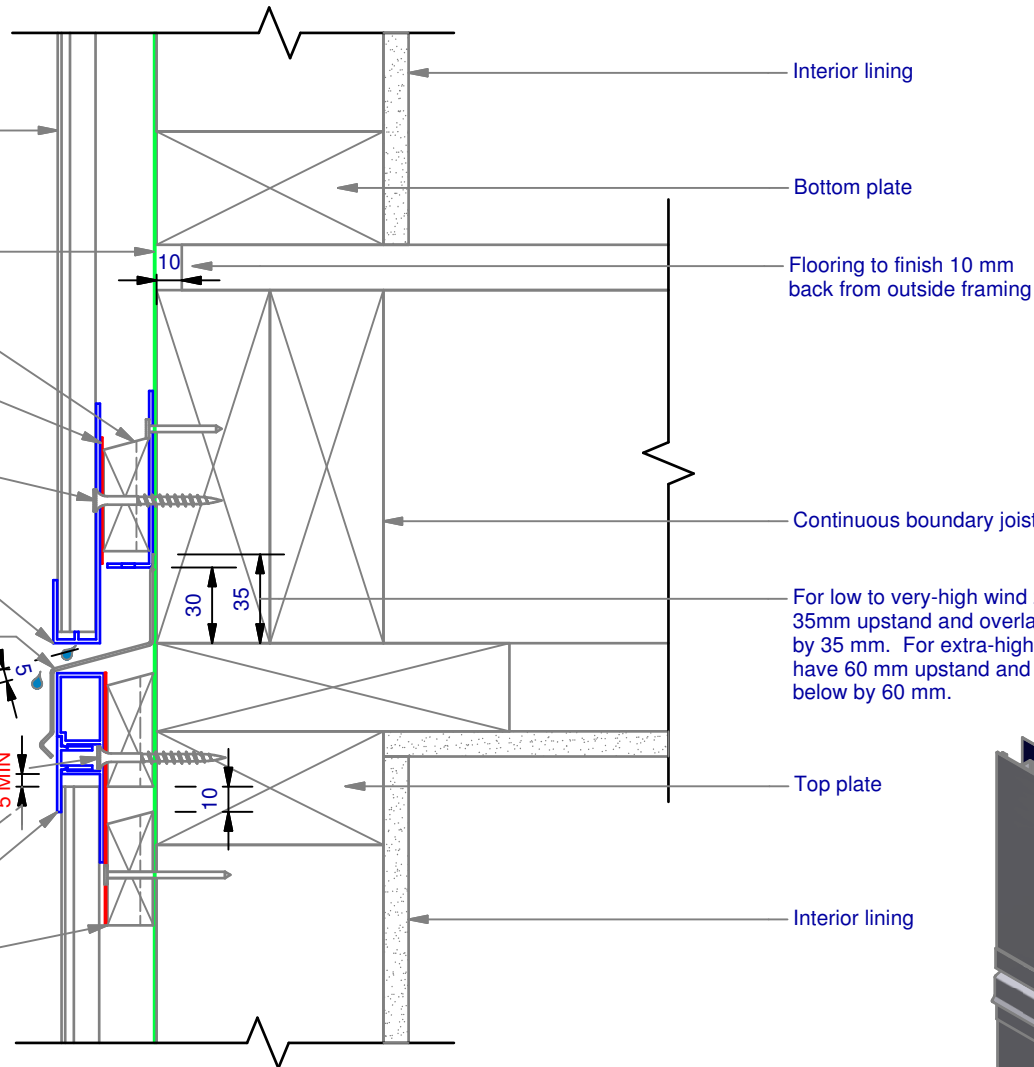
Screw through UA 7584 base at Max 600 mm horizontal centres with 8g x 2" CSK Sq. S/S self tapping screws through batten into stud

Minimum 5 mm clearance to allow for thermal expansion

Ultraclad® UA 5833 Soffit Clip Top

Cavity batten
Refer V00 Batten Options

Note: this detail is required to limit cavities to 2 storeys or 7 m Max - Refer E2/AS1 clause 9.1.9.4



Interior lining

Bottom plate

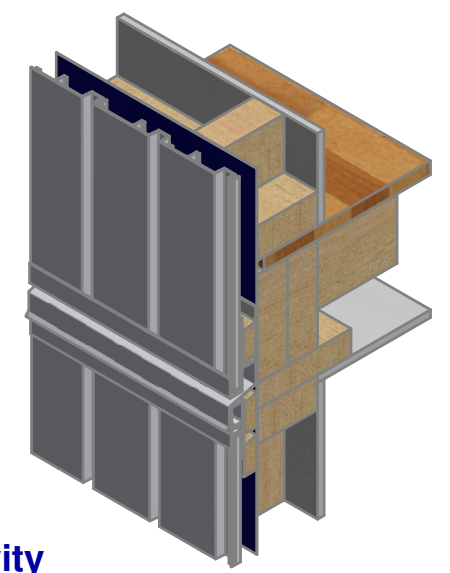
Flooring to finish 10 mm back from outside framing

Continuous boundary joists

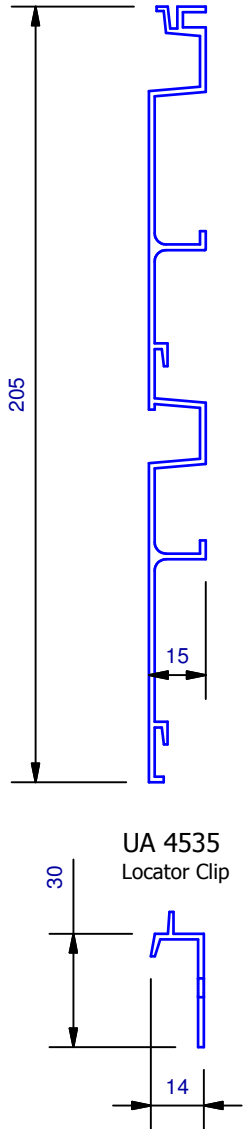
Top plate

Interior lining

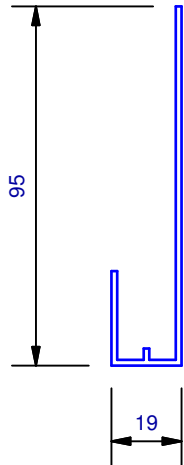
For low to very-high wind zones the 'Z' flashing must have a 35mm upstand and overlap the weatherboard face below by 35 mm. For extra-high wind zones the 'Z' flashing must have 60 mm upstand and overlap the weatherboard face below by 60 mm.



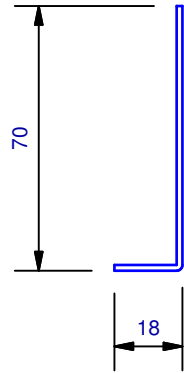
UA 7726
SHADO 100 BOARD



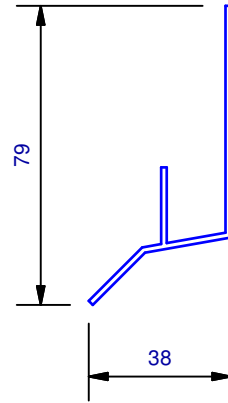
UA 4863
Vertical Board Starter



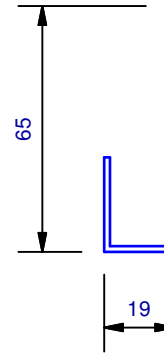
Cavity Vent Strip



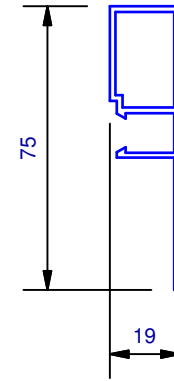
UA 4533
Head Starter



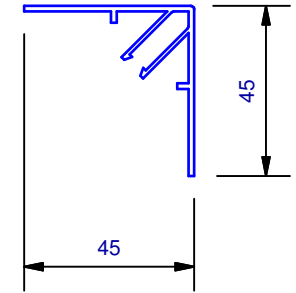
UA 4532
J Moulding



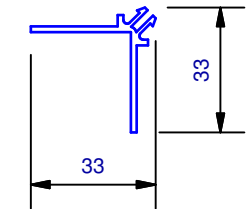
UA 7584
Jamb/Sill Clip Base



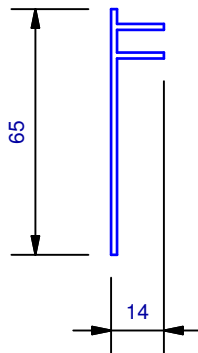
UA 7094
Female Flat Corner



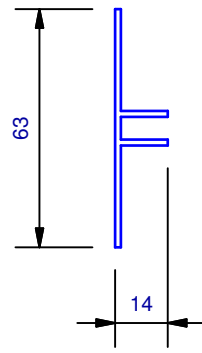
UA 7095
Male Flat Corner



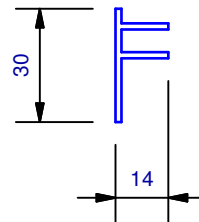
UA 5832
Soffit 65mm Clip Top



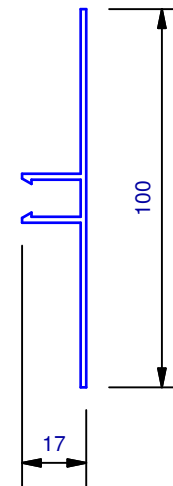
UA 7096
Flat Jointer Top



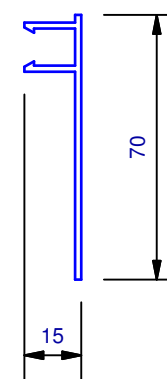
UA 5833
Soffit 30mm Clip Top



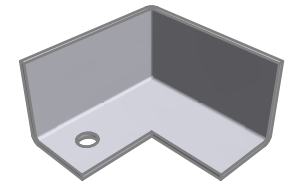
UA 6324
2 Piece Jointer Base



UA 5831
Soffit Clip Base



CLADCNRCAP
Corner Cap



CLADSTAKECNR
Plastic Staking Corner

