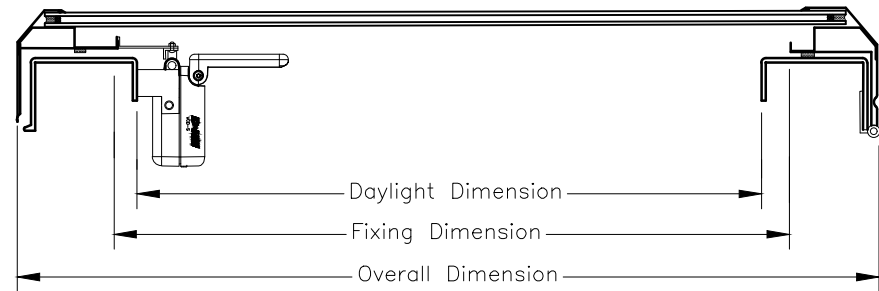
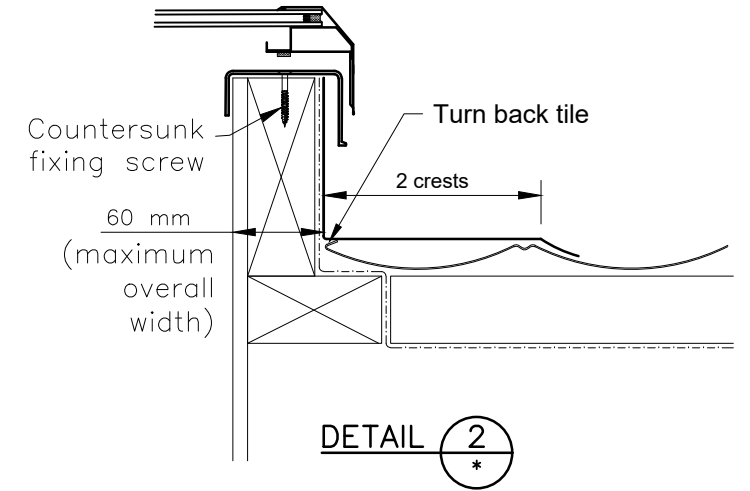
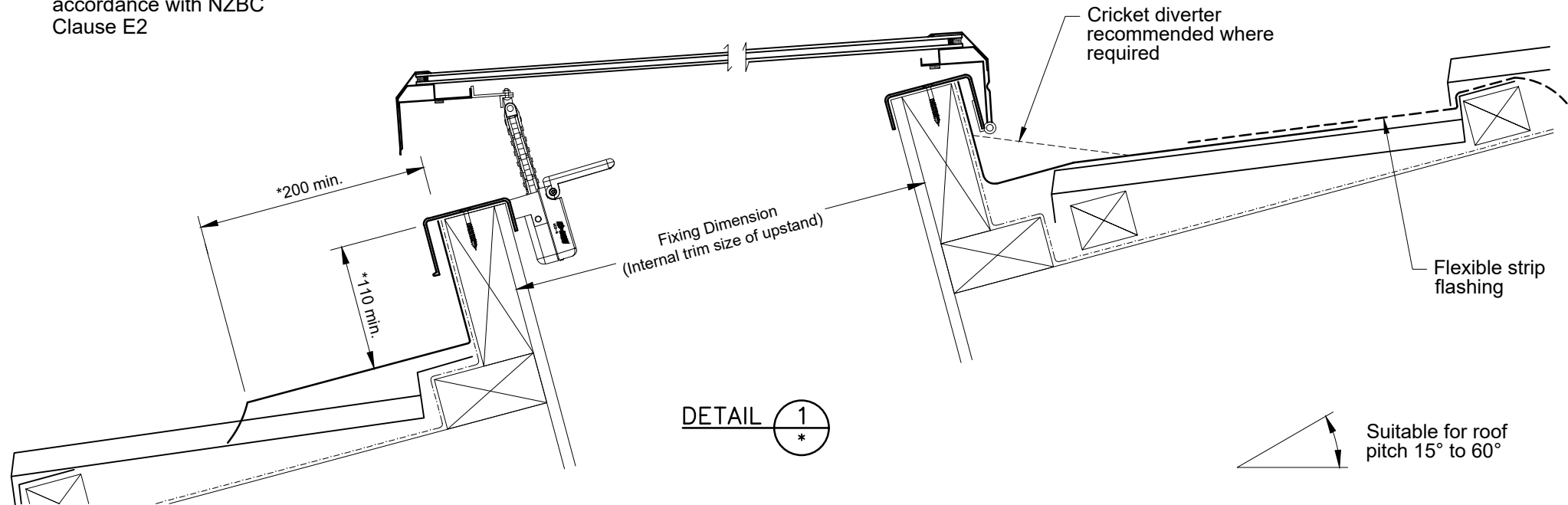
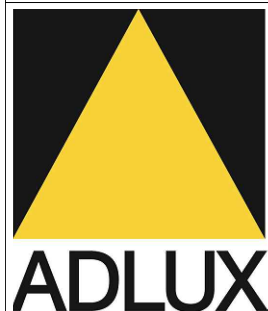
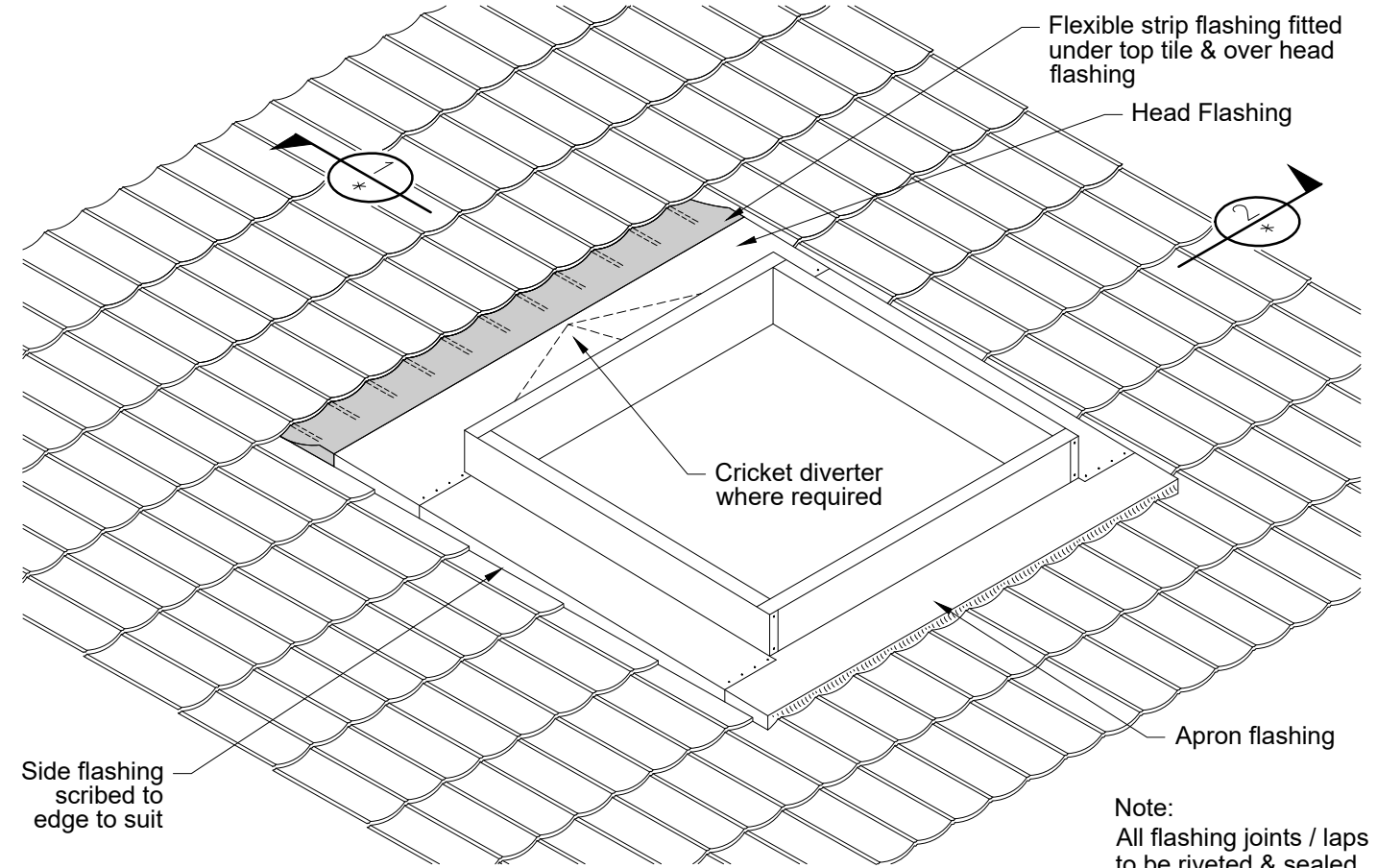


* Dimensions to be in accordance with NZBC Clause E2



Roof Window Opening - Solar Electric						
Model No.	DAYLIGHT DIMENSION		FIXING DIMENSION		OVERALL DIMENSION	
RWBse77	540	x	540	570	x	570
RWBse86	585	x	435	615	x	465
RWBse99	745	x	745	775	x	775
RWBse106	865	x	435	895	x	465
RWBse108	865	x	665	895	x	695
RWBse128	1065	x	665	1095	x	695
RWBse137	1150	x	540	1180	x	570
RWBse148	1285	x	665	1315	x	695
RWBse1212	1065	x	1025	1095	x	1055
RWBse1313	1150	x	1150	1180	x	1180
RWBse1412	1285	x	1025	1315	x	1055

Not to scale, do not scale from drawing. All details are generic in nature and should be read in conjunction with the roofing manufacturers' standard penetration details.



ADLUX Industries Ltd. ©
 36 Olive Road, Penrose
 P.O. Box 13866, Auckland
 New Zealand.
 Ph: (09) 636 6866
 Fax: (09) 636 6846
 Email: sales@adlux.co.nz

ROOF WINDOW BASE solar opening (Double Glazed) METAL ROOFING TILE PITCH 15° TO 60°

DATE: 19/07/19

DWG No: RWBs-MT