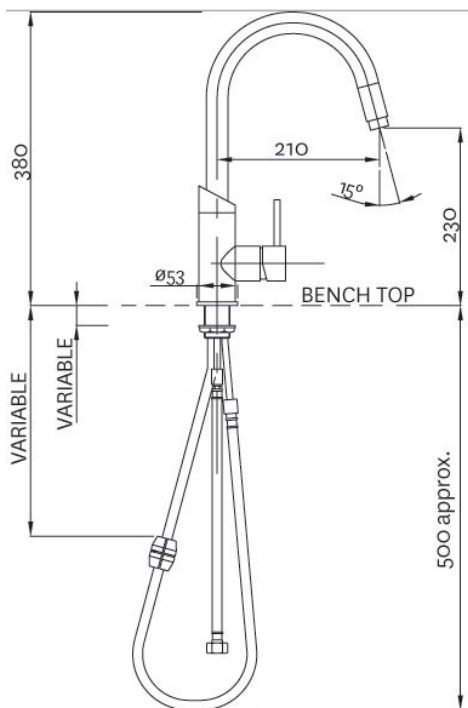


MINIMALIST PULL DOWN GOOSENECK SINK MIXER



CONSTRUCTION: Brass body

CARTRIDGE TYPE: Ceramic

CLASSIFICATION: Suitable for mains pressure ONLY

INLET CONNECTIONS: 1/2" BSP

WORKING PRESSURE: 150 - 1000kPa

DIMENSIONS FOR FITTING: 35mm diameter hole

OPERATING TEMPERATURE: 55 °C - 80 °C

WATER FLOW RATE: 7.0 l/m

- Swivel spout with aerator: 360 Degrees control of water flow.
- Extendable hose.
- 20 year warranty
- 4 star WELS rated on mains pressure (7.0 l/pm)

MMKHRPD

Chrome

<http://www.methven.com/nz/minimalist-spring-pull-down-sink-mixer-with-twin-action-spray>