

Plaster finish as required
or coat Concrete Block
with a suitable sealer

Head Detail

Continuous head seal

OMEGA Windows
and Doors
500 Architectural Series

OMEGA Windows
and Doors
500 Architectural Series

Sill Detail

Continuous
Water resistant 'Air Seal'
to perimeter of trim
cavity

Head Detail

Jamb Detail

Water resistant 'Air Seal'
to perimeter of trim
cavity

OMEGA Windows
and Doors
500 Architectural Series

Continuous seal

Plaster finish as required
or coat Concrete Block
with a suitable sealer

Continuous
Water resistant 'Air Seal'
to perimeter of trim
cavity

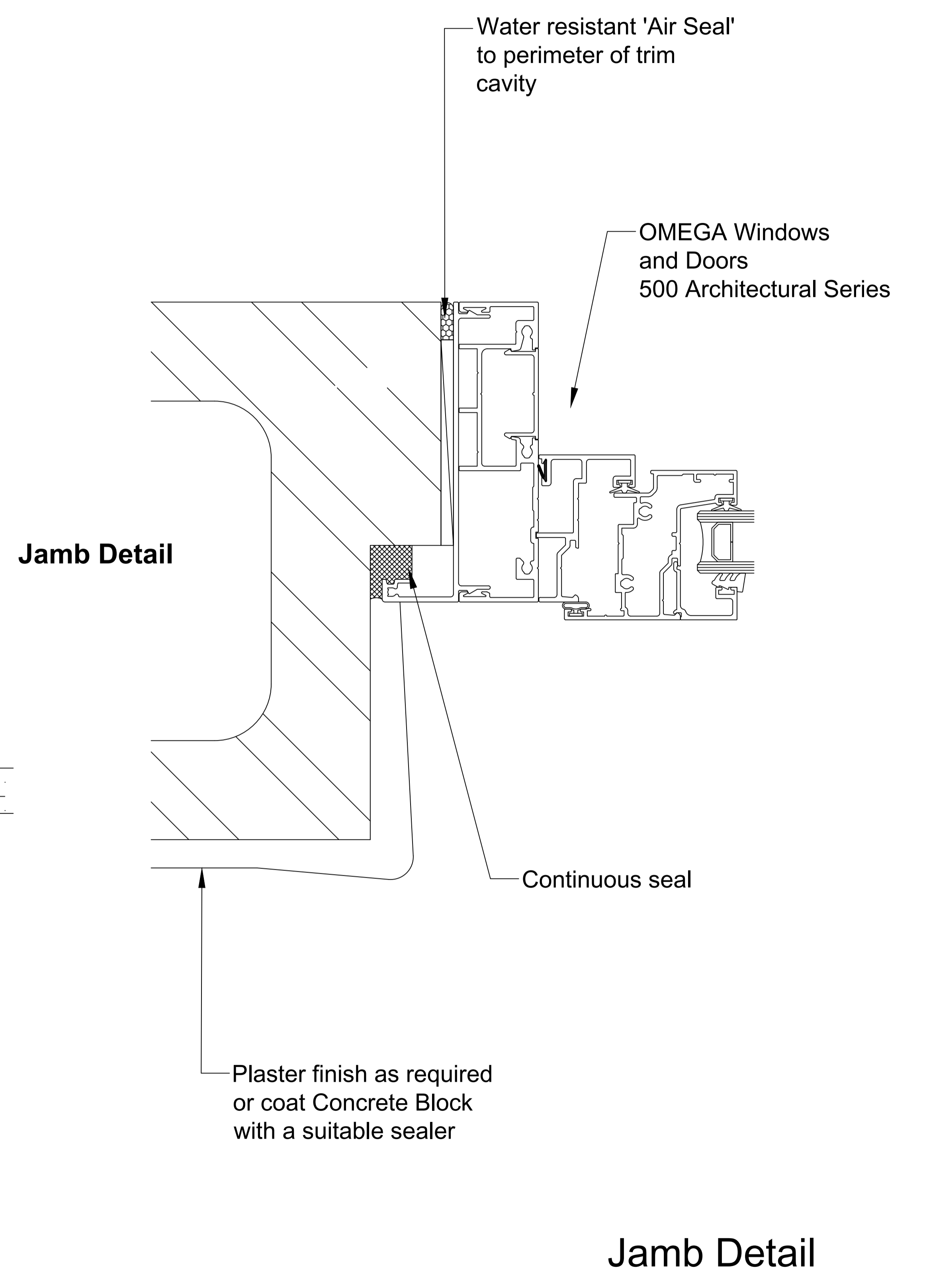
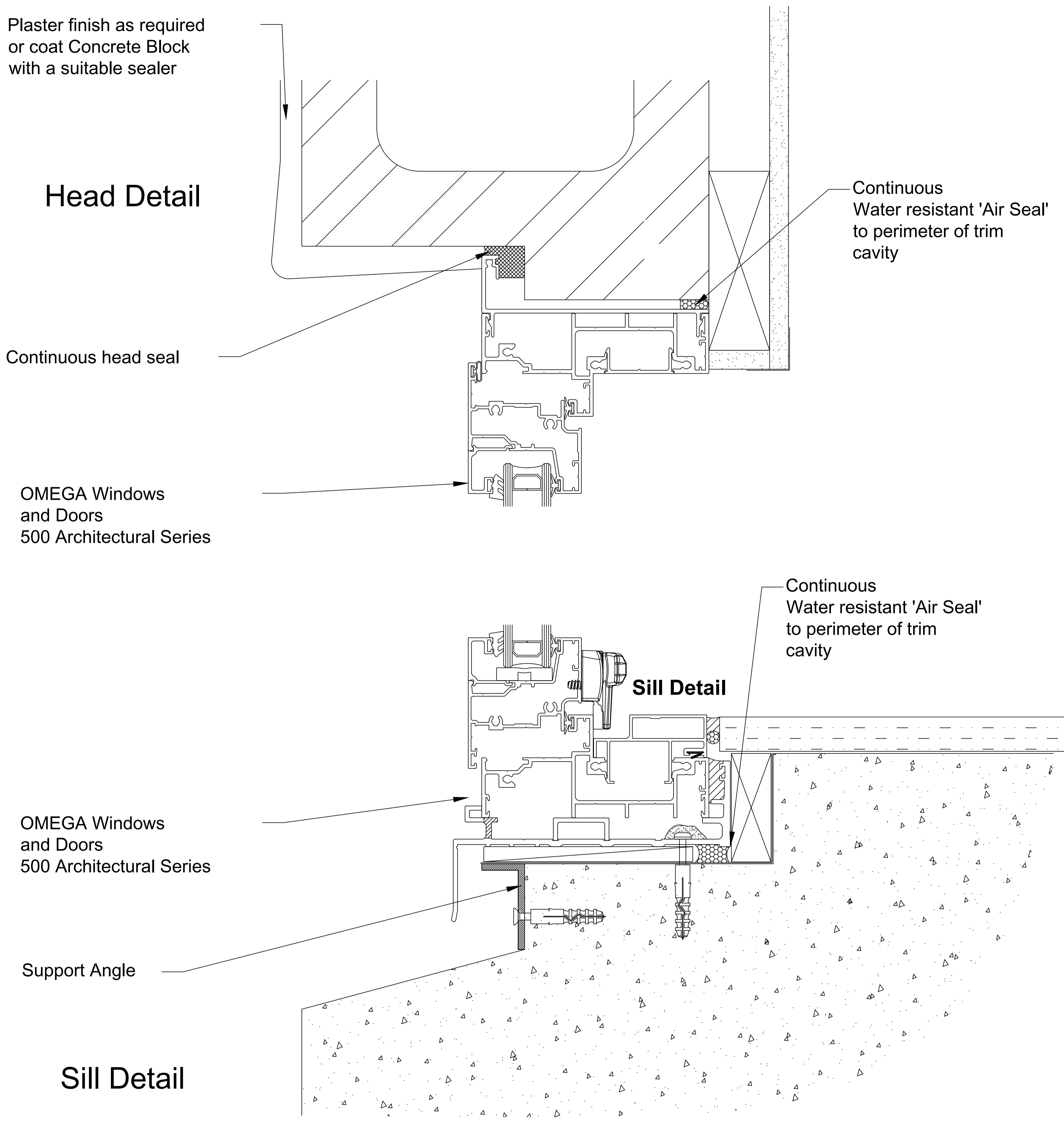
Jamb Detail

This document is intended as a guide only and is to be used in conjunction with
The WANZ Guide to Window Installation as described in E2/AS1 Amendment 5 (see link below)
<http://www.wanz.org.nz/download/WANZ%20Guide%20to%20E2%20AS1%20Amd%206%20V1.3%20Dec%202014.pdf>

**OMEGA WINDOWS AND DOORS
AWNING WINDOW
400 SERIES ARCHITECTURAL**

**CONCRETE BLOCK
WITH
PLASTER FINISH**

50.0
SCALE 1:1 @ A1



This document is intended as a guide only and is to be used in conjunction with The WANZ Guide to Window Installation as described in E2/AS1 Amendment 5 (see link below) <http://www.wanz.org.nz/download/WANZ%20Guide%20to%20E2%20AS1%20Amd%206%20V1.3%20Dec%202014.pdf>

**OMEGA WINDOWS AND DOORS
AWNING WINDOW
400 SERIES ARCHITECTURAL**

**CONCRETE BLOCK
WITH
PLASTER FINISH**

50.0
SCALE 1:1 @ A1

Head Detail

Plaster finish as required
or coat Concrete Block
with a suitable sealer

Continuous head seal

OMEGA Windows
and Doors
500 Architectural Series

OMEGA Windows
and Doors
500 Architectural Series

Sill Detail

Support Angle

Continuous
Water resistant 'Air Seal'
to perimeter of trim
cavity

Head Detail

Sill Detail

Continuous
Water resistant 'Air Seal'
to perimeter of trim
cavity

Jamb Detail

Water resistant 'Air Seal'
to perimeter of trim
cavity

OMEGA Windows
and Doors
500 Architectural Series

Continuous seal

Plaster finish as required
or coat Concrete Block
with a suitable sealer

Jamb Detail

This document is intended as a guide only and is to be used in conjunction with
The WANZ Guide to Window Installation as described in E2/AS1 Amendment 5 (see link below)
<http://www.wanz.org.nz/download/WANZ%20Guide%20to%20E2%20AS1%20Amd%206%20V1.3%20Dec%202014.pdf>

OMEGA WINDOWS AND DOORS
OPEN OUT HINGE DOOR
400 SERIES ARCHITECTURAL

CONCRETE BLOCK
WITH
PLASTER FINISH

50.0
SCALE 1:1 @ A1

Head Detail

Plaster finish as required
or coat Concrete Block
with a suitable sealer

Continuous head seal

OMEGA Windows
and Doors
500 Architectural Series

Continuous
Water resistant 'Air Seal'
to perimeter of trim
cavity

Continuous
Water resistant 'Air Seal'
to perimeter of trim
cavity

OMEGA Windows
and Doors
500 Architectural Series

Sill Detail

Support Angle

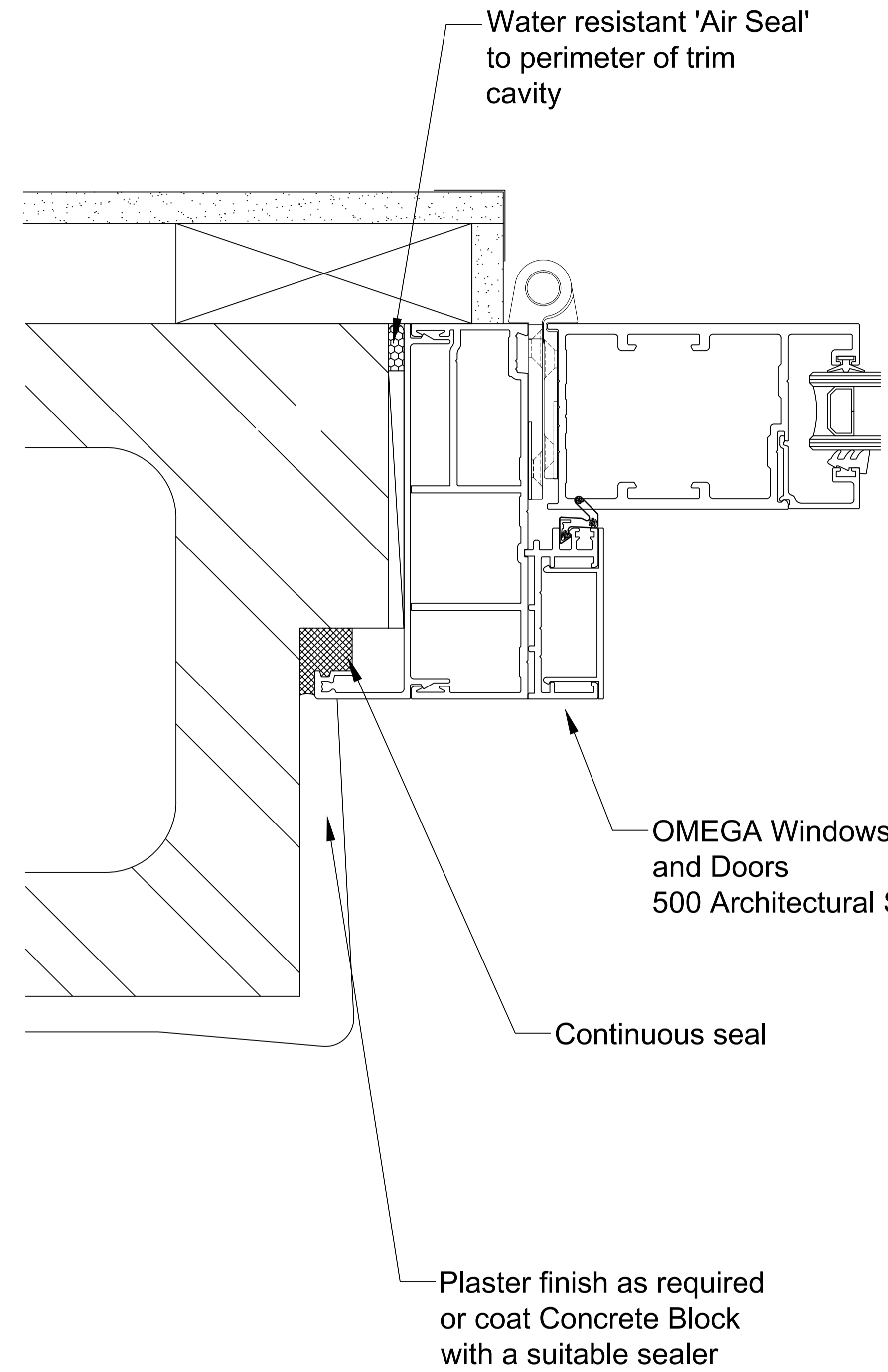
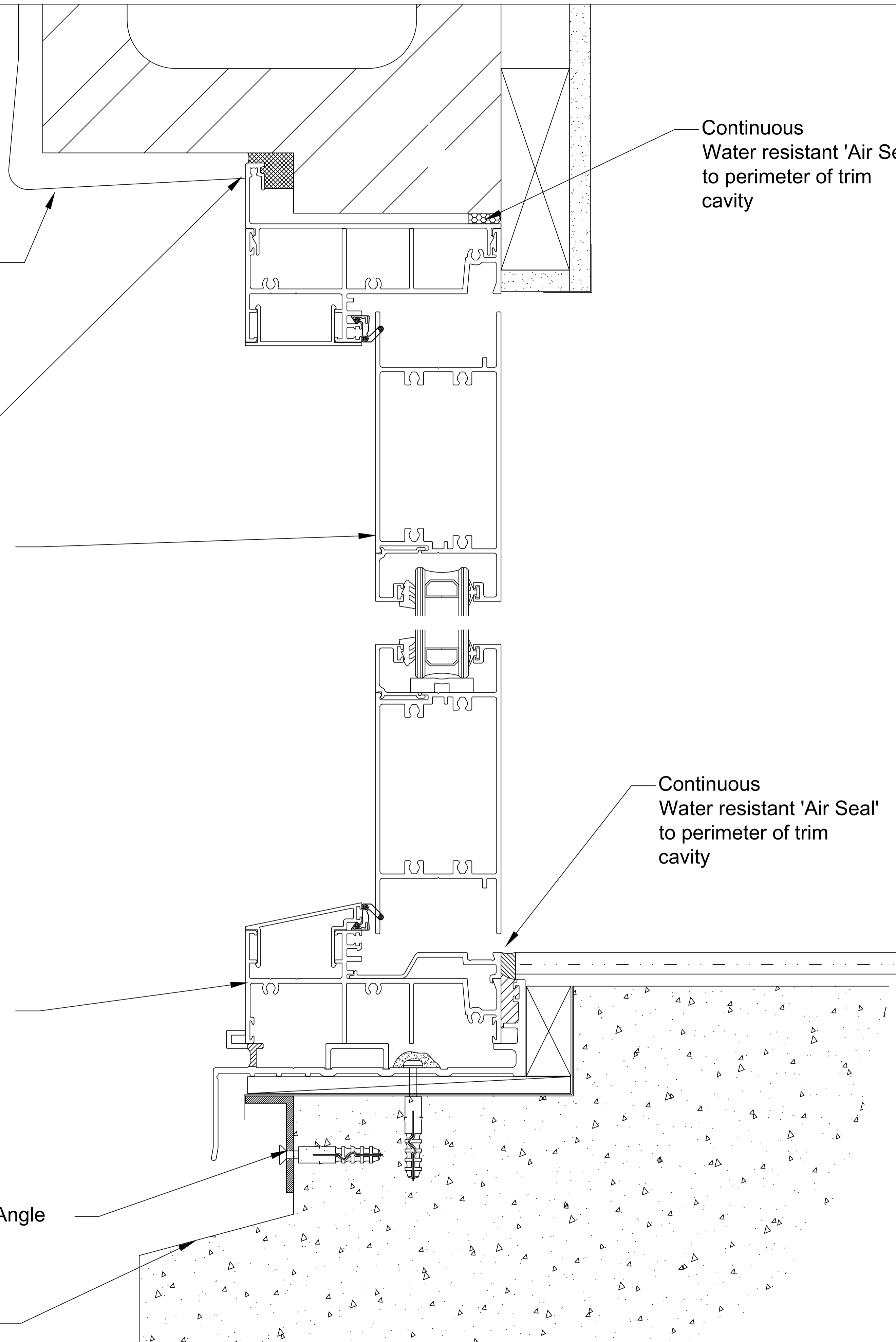
Sill rebate as required

Water resistant 'Air Seal'
to perimeter of trim
cavity

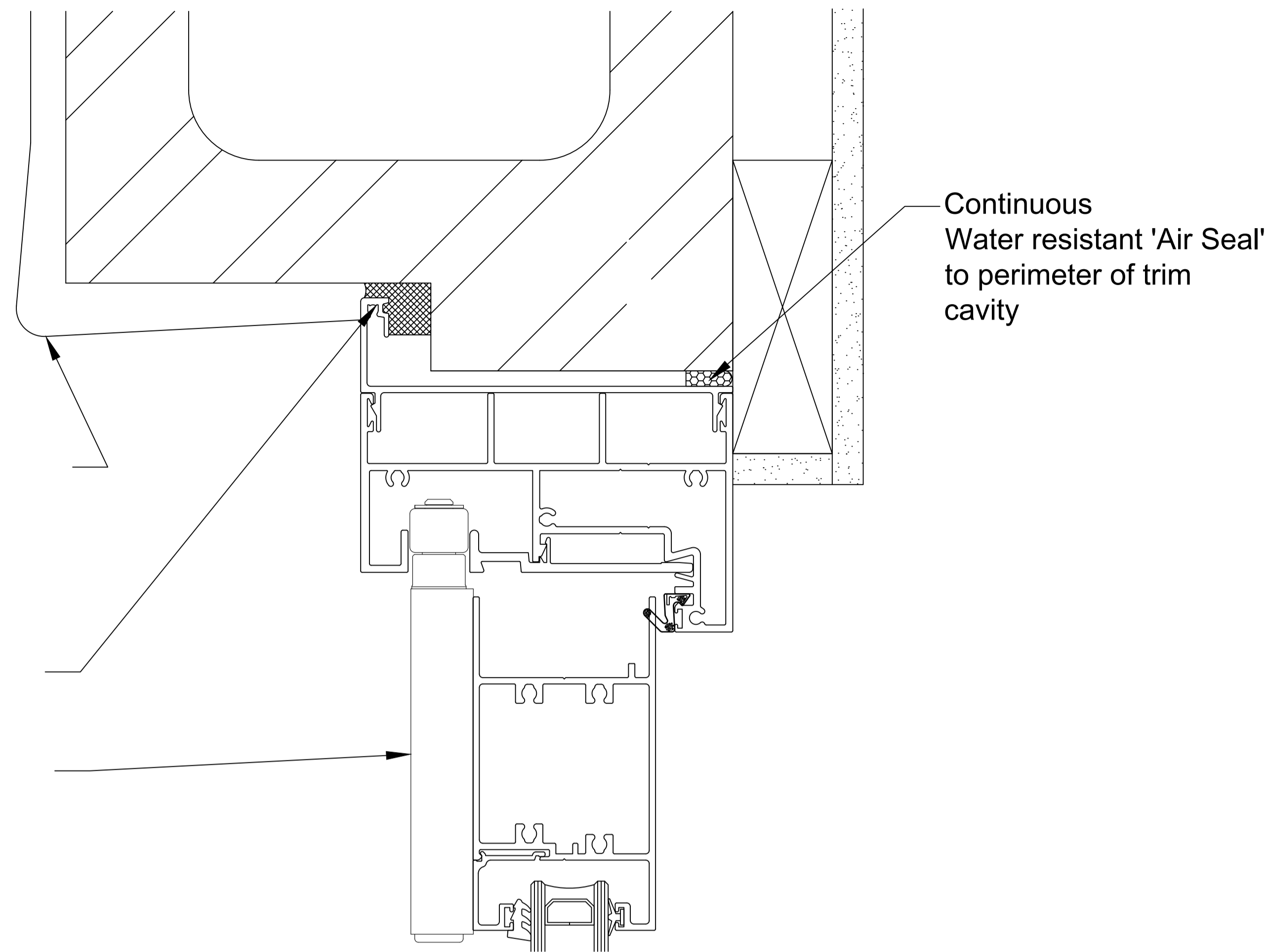
OMEGA Windows
and Doors
500 Architectural Series

Continuous seal

Plaster finish as required
or coat Concrete Block
with a suitable sealer



Head Detail



Plaster finish as required
or coat Concrete Block
with a suitable sealer

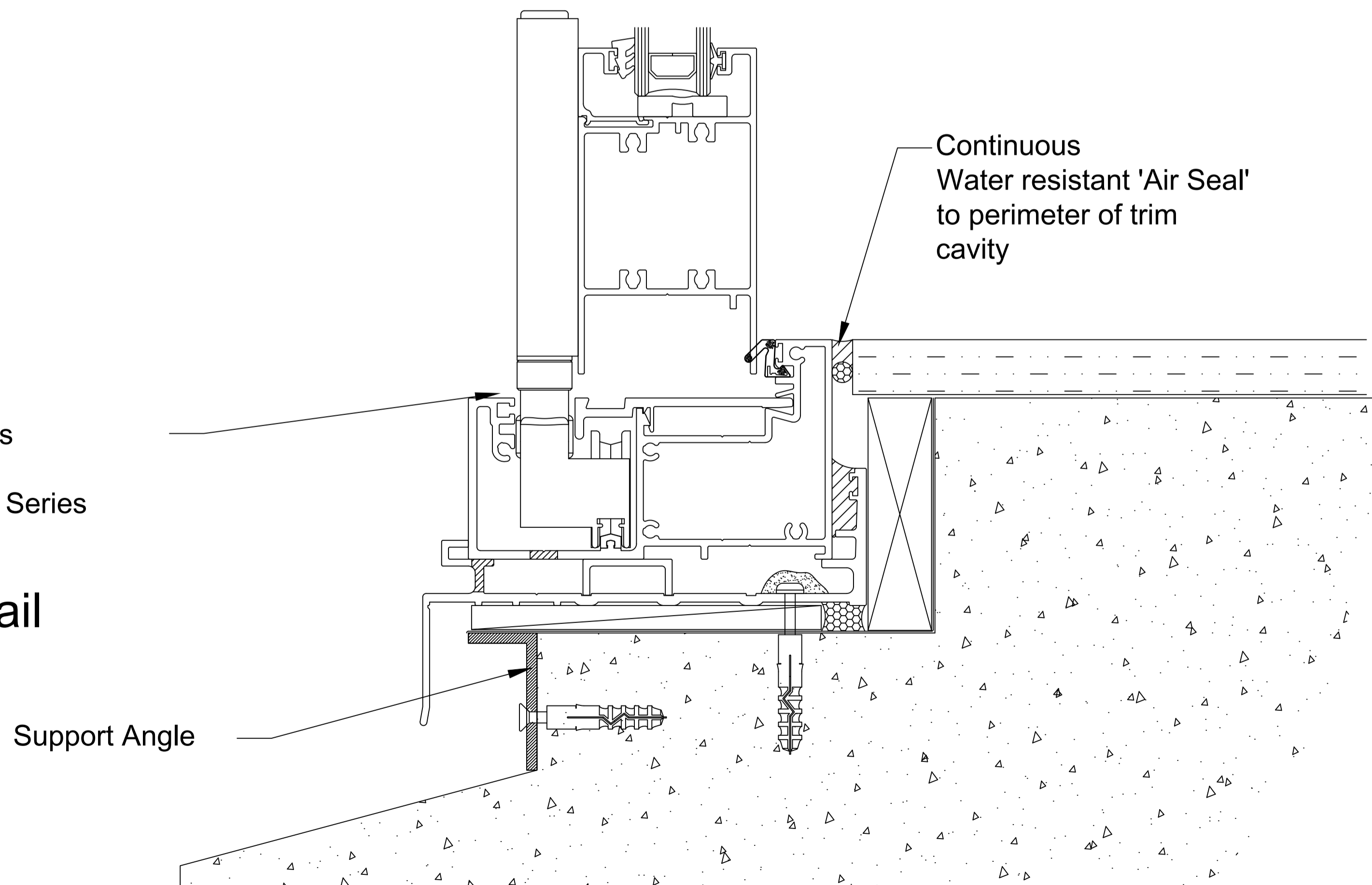
Continuous head seal

OMEGA Windows
and Doors
500 Architectural Series

Continuous
Water resistant 'Air Seal'
to perimeter of trim
cavity

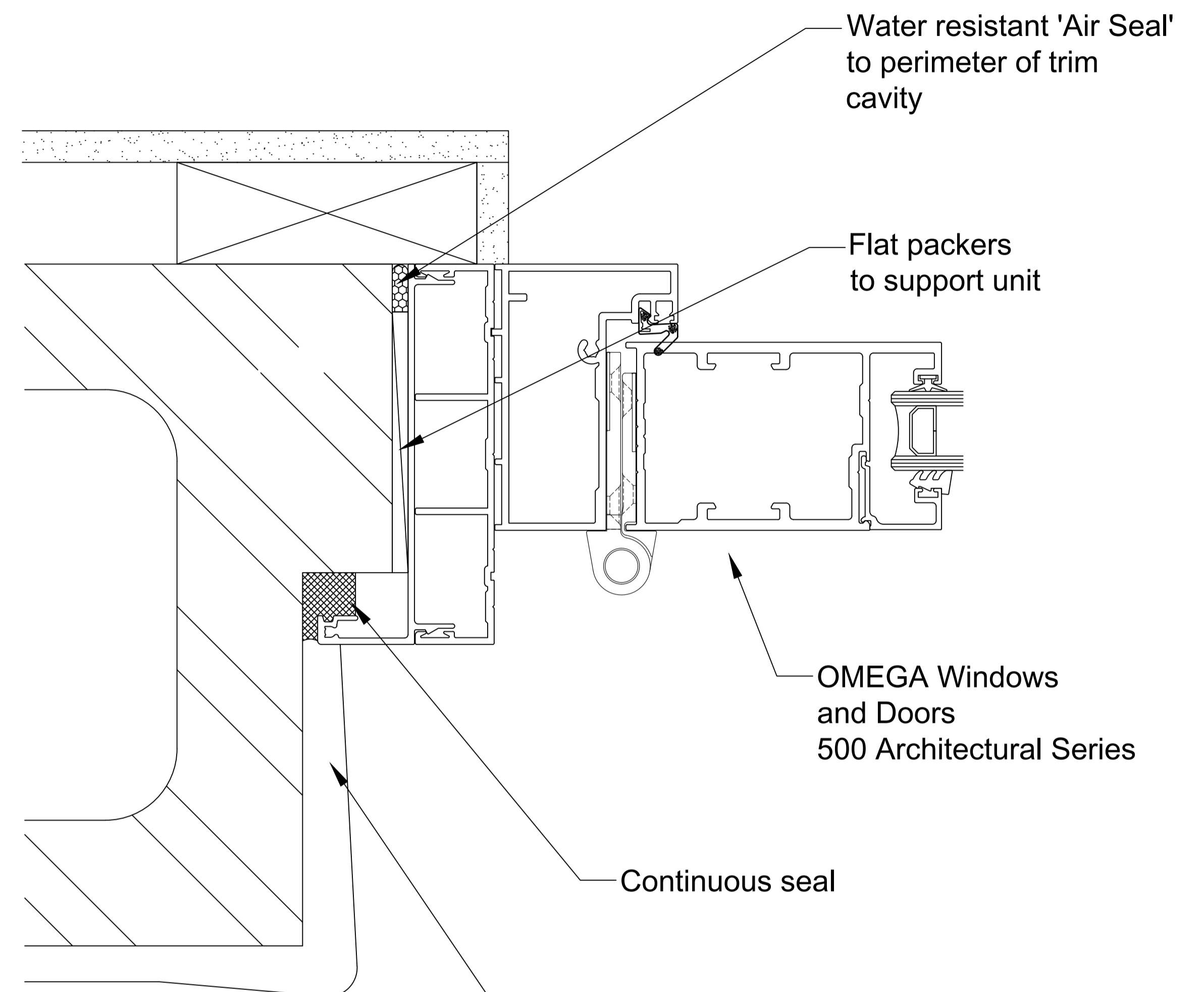
OMEGA Windows
and Doors
500 Architectural Series

Sill Detail



Continuous
Water resistant 'Air Seal'
to perimeter of trim
cavity

Support Angle



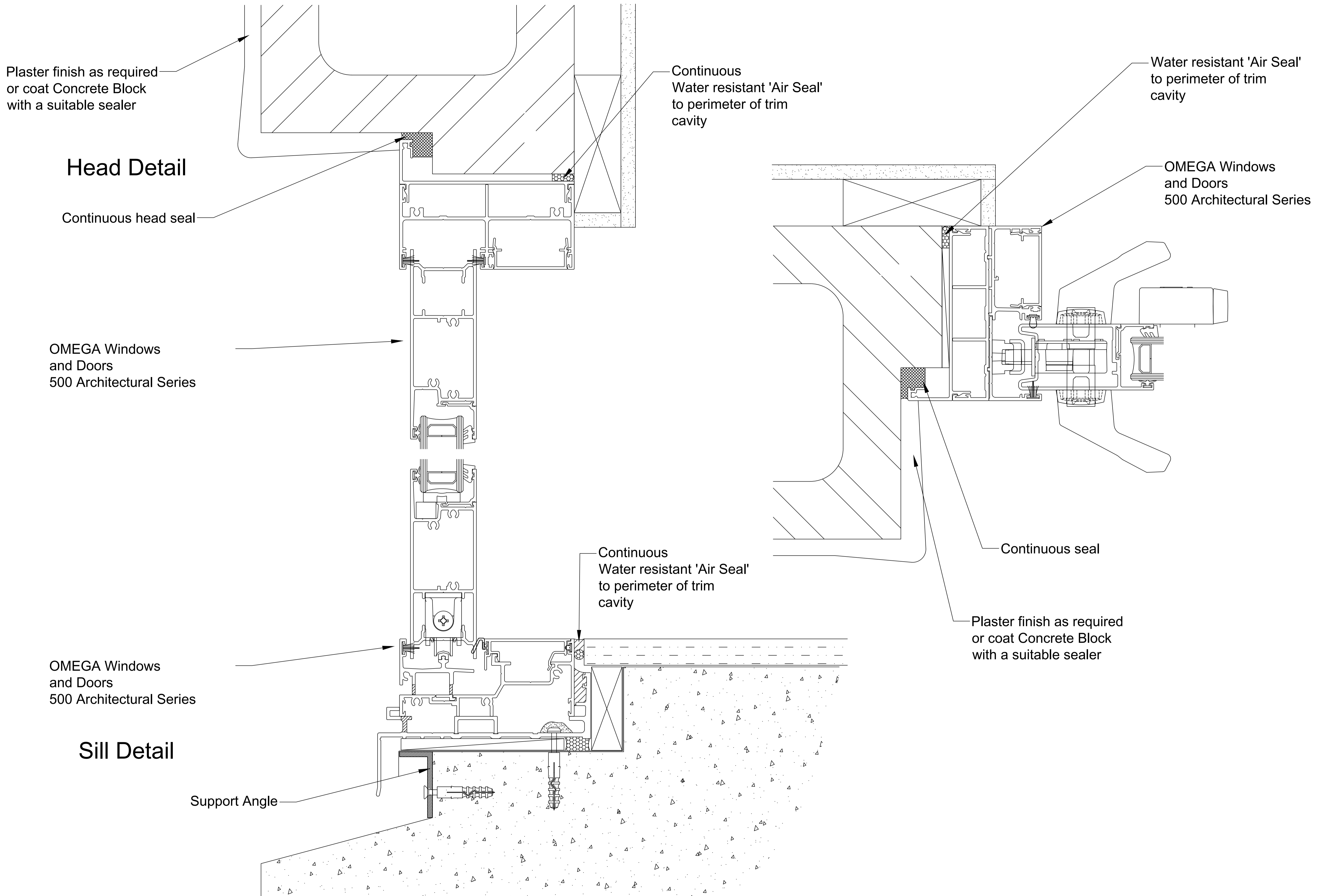
Water resistant 'Air Seal'
to perimeter of trim
cavity

Flat packers
to support unit

OMEGA Windows
and Doors
500 Architectural Series

Continuous seal

Plaster finish as required
or coat Concrete Block
with a suitable sealer

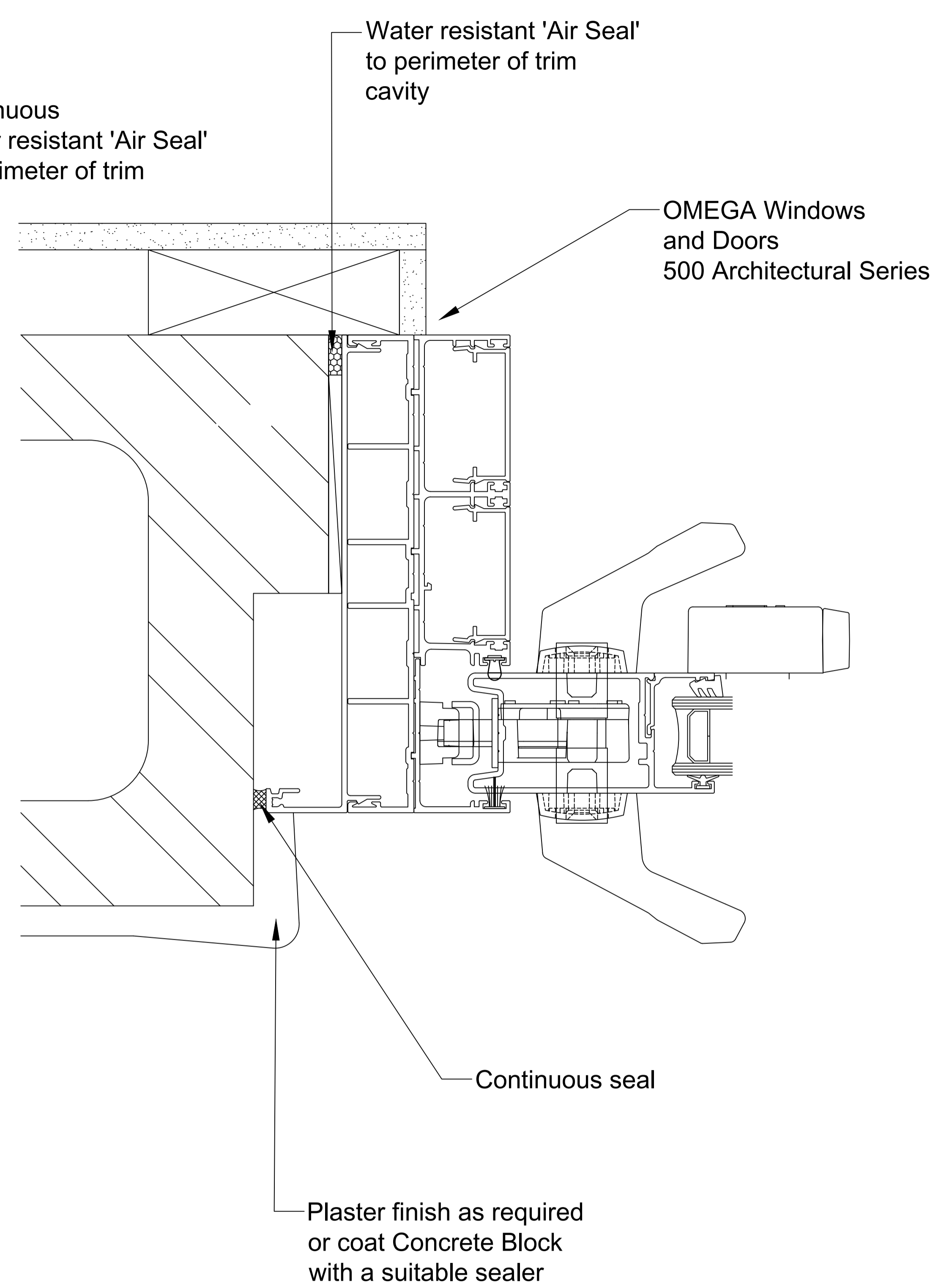
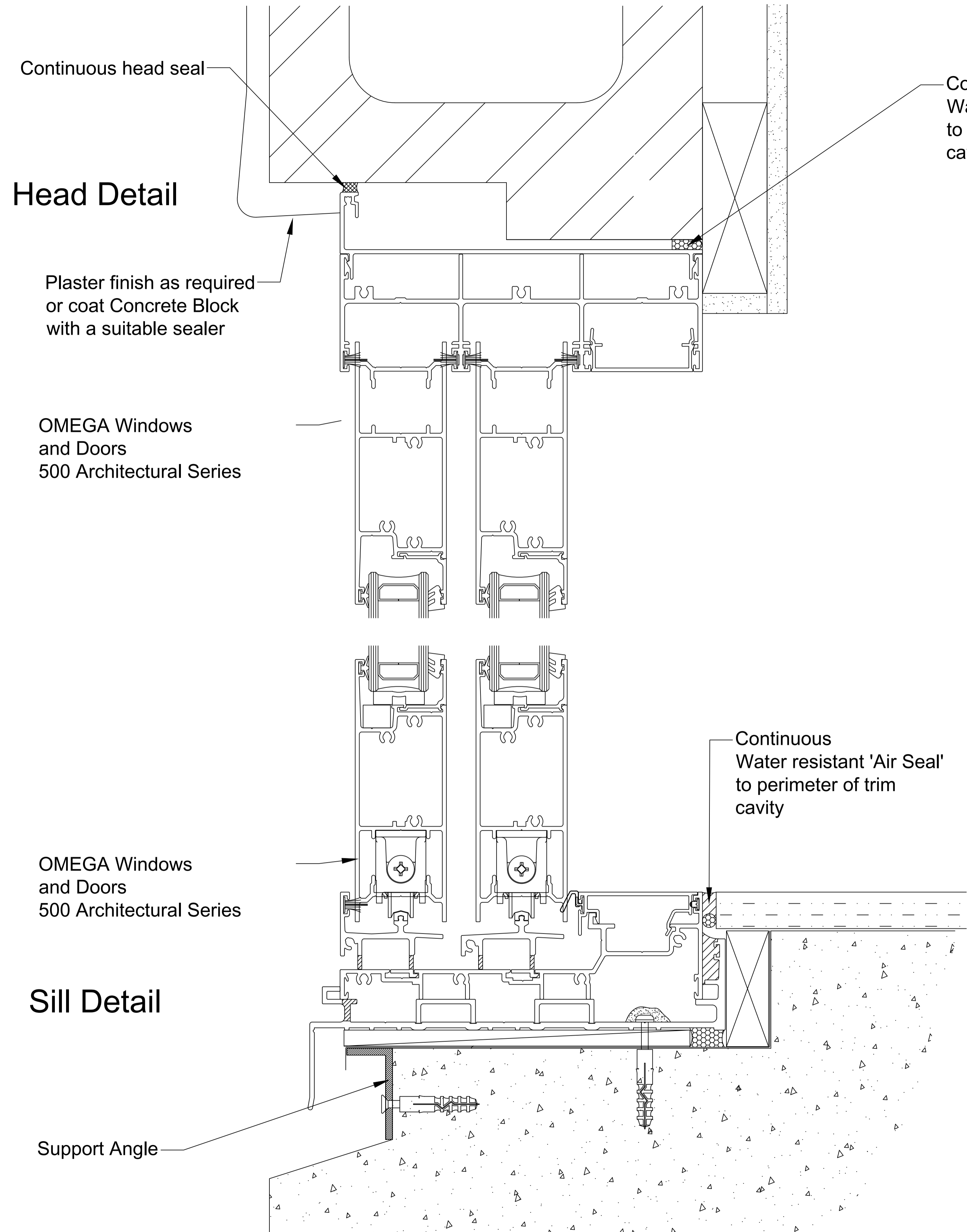


This document is intended as a guide only and is to be used in conjunction with The Wanz Guide to Window Installation as described in E2/AS1 Amendment 5 (see link below) <http://www.wanz.org.nz/download/WANZ%20Guide%20to%20E2%20AS1%20Amd%206%20V1.3%20Dec%202014.pdf>

**OMEGA WINDOWS AND DOORS
SLIDING DOOR
400 SERIES ARCHITECTURAL**

**CONCRETE BLOCK
WITH
PLASTER FINISH**

50.0
SCALE 1:1 @ A1

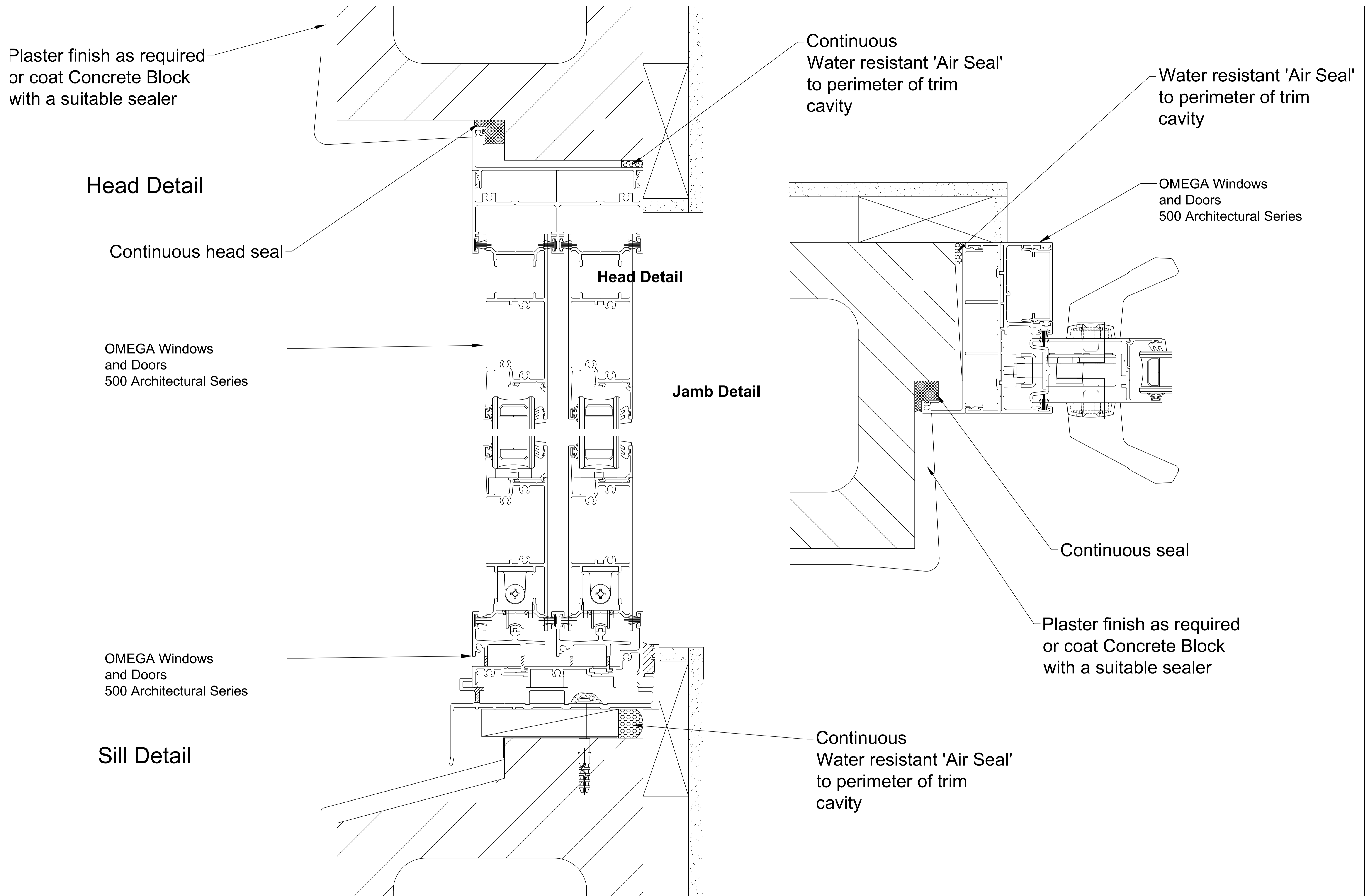


This document is intended as a guide only and is to be used in conjunction with The WANZ Guide to Window Installation as described in E2/AS1 Amendment 5 (see link below) <http://www.wanz.org.nz/download/WANZ%20Guide%20to%20E2%20AS1%20Amd%206%20V1.3%20Dec%202014.pdf>

**OMEGA WINDOWS AND DOORS
STACKING SLIDING DOOR
400 SERIES ARCHITECTURAL**

**CONCRETE BLOCK
WITH
PLASTER FINISH**

50.0
SCALE 1:1 @ A1



This document is intended as a guide only and is to be used in conjunction with
 The WANZ Guide to Window Installation as described in E2/AS1 Amendment 5 (see link below)
<http://www.wanz.org.nz/download/WANZ%20Guide%20to%20E2%20AS1%20Amd%206%20V1.3%20Dec%202014.pdf>

**OMEGA WINDOWS AND DOORS
 STACKING SLIDING DOOR
 400 SERIES ARCHITECTURAL**

**CONCRETE BLOCK
 WITH
 PLASTER FINISH**

50.0
 SCALE 1:1 @ A1