

Channel 41

Application

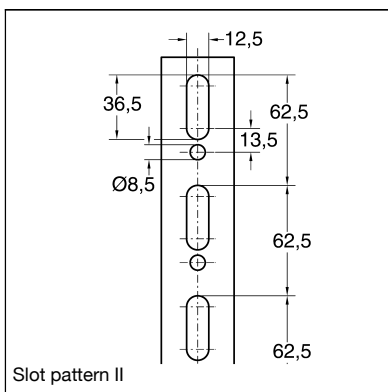
Basic element for easy and professional assembly of load carrying systems. All channels 41 suit as bearing rail for Standard Fastenings MS and Fixed Points MS. For fixation of pipes ≥ 160 always use channels $\geq 41/41/2,0$.

All channels 41 are serrated on the inner edges and thus can be combined with many other Sikla products, e.g. Channel Nuts, End Supports WBD, Beam Clamps TCS 1, Pressix CC 41, etc.

Technical Data

Material: Steel, galvanised according to DIN EN 10327

For further technical data, see Product System "Siconnect".



Type	Length [m]	Slot pattern	Weight [kg/m]	Qty. [m]	Part number
41/21/1.5	6	2	1.10	6	173846
41/21/2.0	6	3	1.32	6	193709
41/41/2.0	6	3	1.97	6	193747
41/41/2.5	6	3	2.30	6	166720
41/45/2.5	6	3	2.47	6	193761
41/62/2.5	6	3	3.13	6	193792
41/21/1.25	6		1.10	6	438027
41/41/1.25	6		1.75	6	438036

