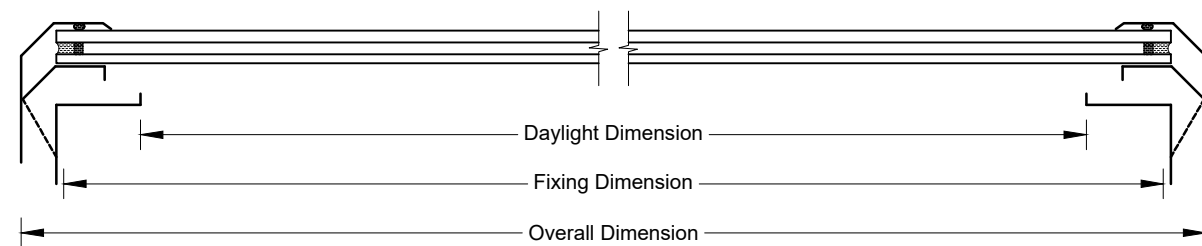


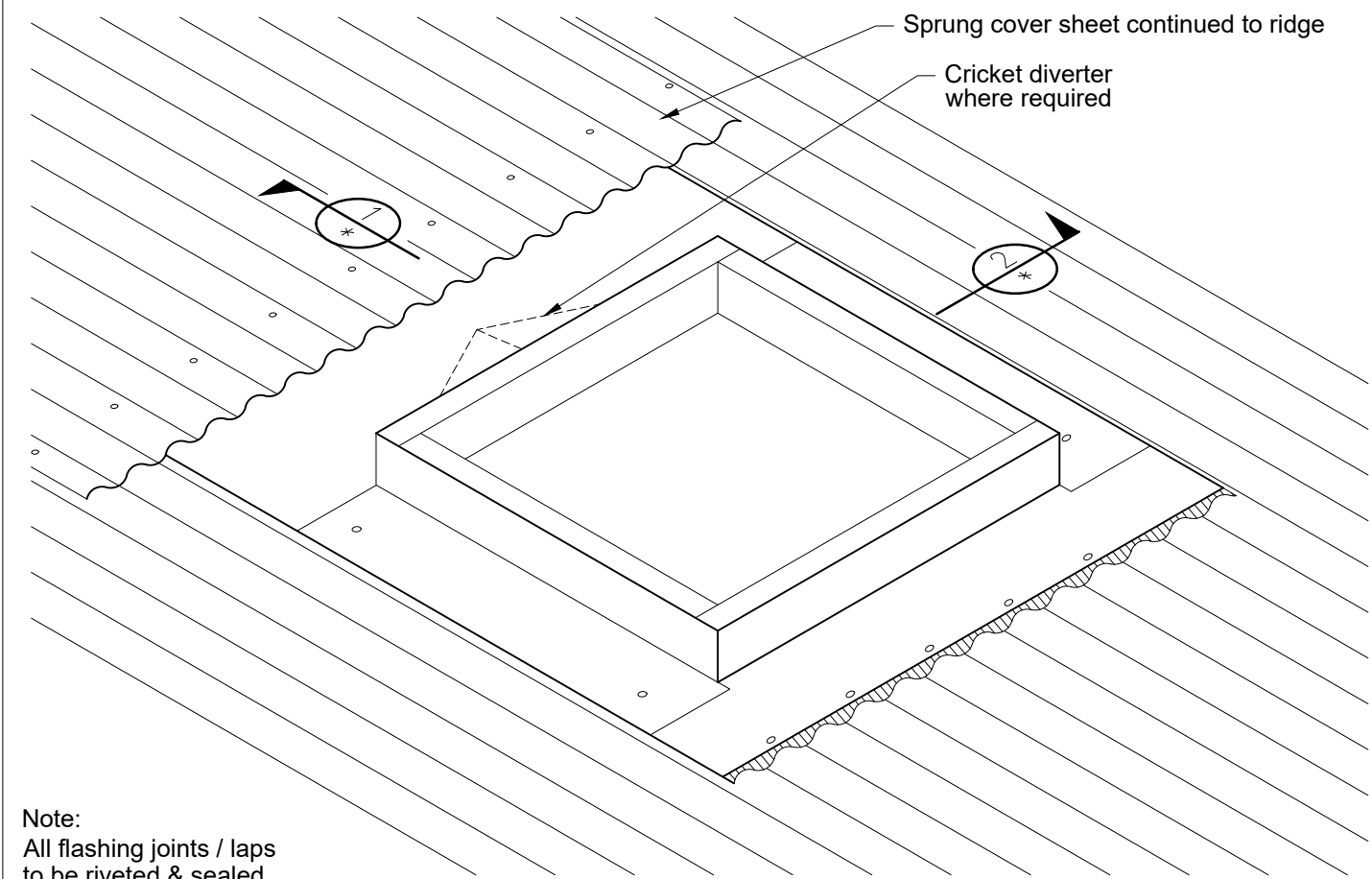
* Dimensions to be in accordance with NZBC Clause E2

Suitable for roof pitch 5° to 60°

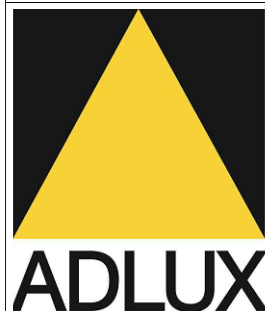


| Mega Roof Window Vent | | | | |
|-----------------------|--------------------|------------------|-------------------|------------------------------------|
| Model No. | Daylight Dimension | Fixing Dimension | Overall Dimension | Ventilation Area (m ²) |
| MRWv1616 | 1535 x 1535 | 1635 x 1635 | 1710 x 1710 | 0.138 |
| MRWv2014 | 1890 x 1290 | 1990 x 1390 | 2065 x 1465 | 0.143 |
| MRWv2418 | 2275 x 1675 | 2375 x 1775 | 2450 x 1850 | 0.174 |
| MRWv3014 | 2890 x 1290 | 2990 x 1390 | 3065 x 1465 | 0.183 |

Not to scale, do not scale from drawing. All details are generic in nature and should be read in conjunction with the roofing manufacturers' standard penetration details.



Note:
All flashing joints / laps to be riveted & sealed



ADLUX Industries Ltd. ©
36 Olive Road, Penrose
P.O. Box 13866, Auckland
New Zealand.
Ph: (09) 636 6866
Fax: (09) 636 6846
Email: sales@adlux.co.nz

MEGA ROOF WINDOW vent (Double Glazed)
CORRUGATED ROOFING PROFILE (Sprung Sheet)
PITCH 5° TO 60°

DATE: 14/02/19

DWG No: MRWv-CR-SS