

## 7.1 - Softline Series

### Suite overview

Softline Aluminium Office Partitioning is a unique system that incorporates new design elements to facilitate creative floor plans and to enable the finished installation to be of the highest standard.

Softline Aluminium Partitioning is totally designed in New Zealand by Potter Interior Systems in conjunction with architects, installers and building owners to bring together a system that allows the design of today to be the office of tomorrow.

As the name suggests, Softline Aluminium Partitioning has a much softer look and a softer feel because of its radiused corners on all exposed edges. The special feature bars and concave beads that are available for the glazing sections within Softline give a look that is totally unique and very modern.

The design elements offered by these profiles allow the finished partitioning to look quite different from traditional square-looking partitioning aesthetic that is available from other systems on the market.

### Specification

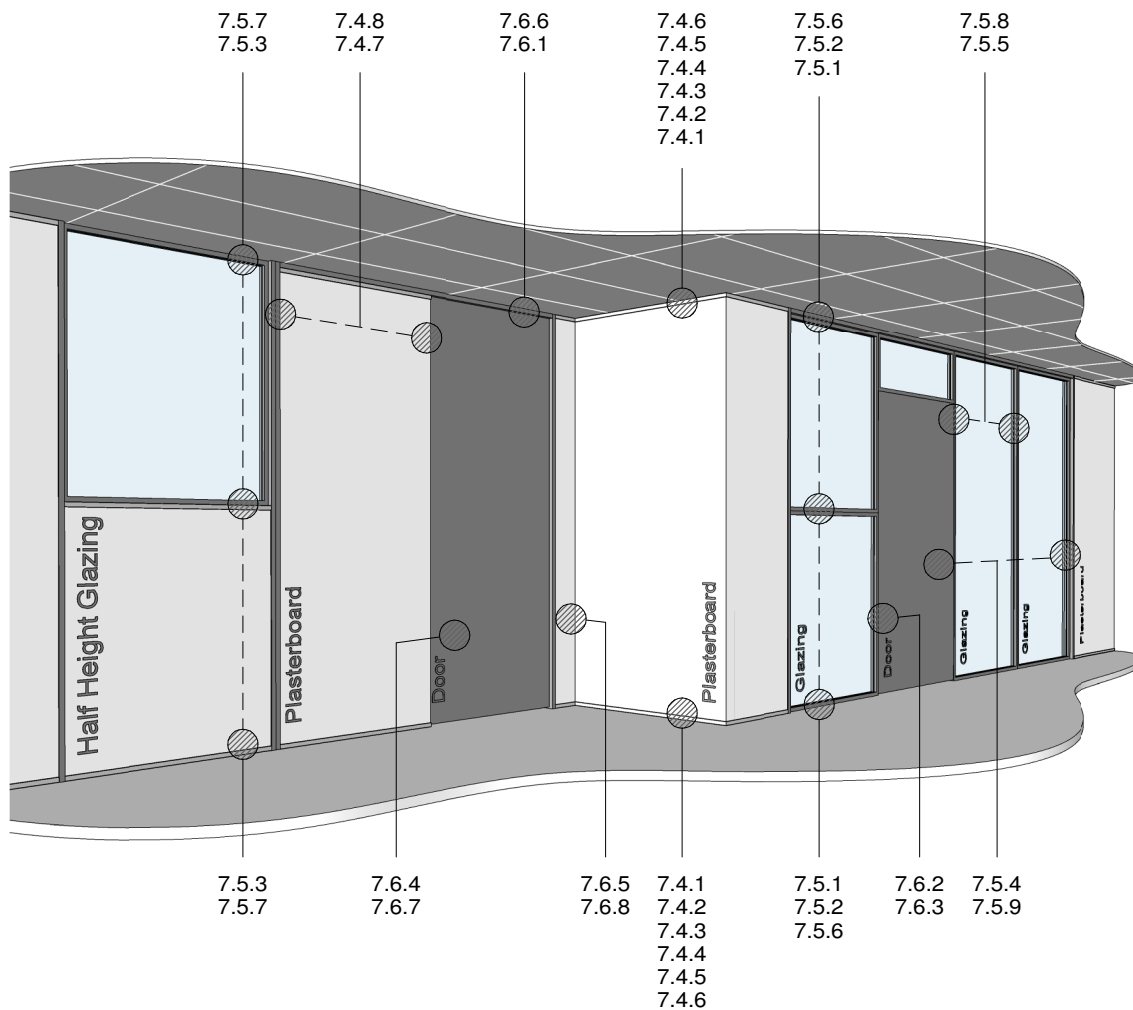
The Masterspec branded section 5211PP POTTER ALUMINIUM INTERNAL PARTITIONS is available for download from the following resources.

[www.masterspec.co.nz](http://www.masterspec.co.nz)

[www.potters.co.nz](http://www.potters.co.nz)

[www.eboss.co.nz](http://www.eboss.co.nz)

[www.productspec.co.nz](http://www.productspec.co.nz)



**TIPS FOR ARCHITECTS AND DESIGNERS:  
TYPICAL FOR ALL SUITES**

- 6MM - 12.38MM MAXIMUM LAMINATED GLASS SIZE
- 13MM PLASTERBOARD ONLY
- 105MM PROFILES = 64MM STUD
- 132MM PROFILES = 92MM STUD
- FOR SOUND TRANSMISSION CLASS POINTS (STC) REFER TO THE POTTERS WEBSITE [WWW.POTTERS.CO.NZ](http://WWW.POTTERS.CO.NZ) IN THE "PARTITIONING" SECTION

**POTTER ALUMINIUM SYSTEMS  
SOFTLINE DETAIL REFERENCES**

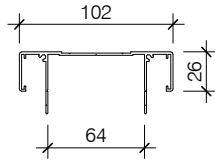
**7.2.1**  
SHEET

SCALE

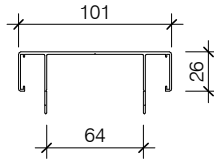
10/01/2011  
ISSUED DATE

0800 POTTER (0800 768 837) [WWW.POTTERS.CO.NZ](http://WWW.POTTERS.CO.NZ)  
DETAILS SUBJECT TO CHANGE WITHOUT NOTICE

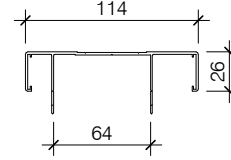
**CSR**



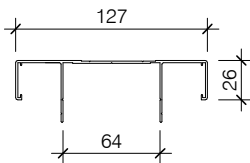
**SLHT64**  
64MM HEADTRACK



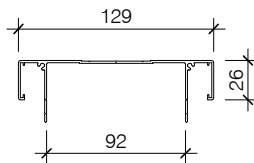
**SLFT64**  
64MM FLAT TRACK



**SLDT64**  
64MM DOUBLETRACK



**SLQT**  
64MM QUAD TRACK



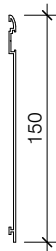
**SLHT92**  
92MM HEADTRACK



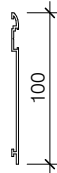
**SLTM64**  
64MM TERMINATION CAP



**SLTM92**  
92MM TERMINATION CAP



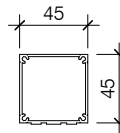
**SLSK150**  
150MM SKIRTING



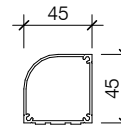
**SLSK**  
100MM SKIRTING



**SLSS**  
26MM SMALL SKIRTING



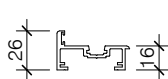
**SLUP**  
UNIVERSAL POST



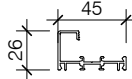
**SLCP**  
UNIVERSAL POST



**SLET**  
EXTENDA TRACK



**SLDS**  
DOOR STOP



**SLGB**  
GLAZING BAR



**SLGC**  
GLAZING CAP



**SLBE**  
GLAZING BEAD

**POTTER ALUMINIUM SYSTEMS  
SOFTLINE STANDARD SUITE PROFILES**

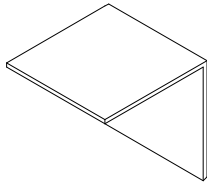
**7.3.1**  
SHEET

1 : 5 @ A4  
SCALE

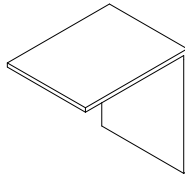
10/01/2011  
ISSUED DATE

0800 POTTER (0800 768 837) WWW.POTTERS.CO.NZ  
DETAILS SUBJECT TO CHANGE WITHOUT NOTICE

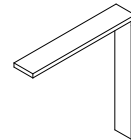
**CSR**



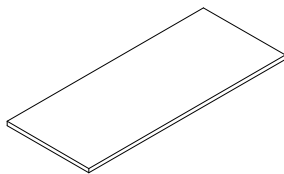
SLACC STAKE 1



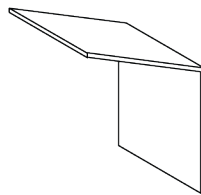
SLACC STAKE 2



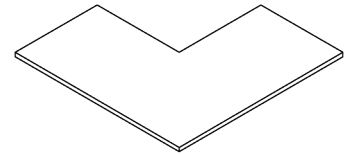
SLACC STAKE 3



SLACC STAKE 4



SLACC STAKE 5



SLACC STAKE 6



PVC SKIRTING INFILL



MOHAIR JAMBSEAL  
INFILL



JAMBSEAL INFILL

**POTTER ALUMINIUM SYSTEMS  
SOFTLINE ACCESSORIES**

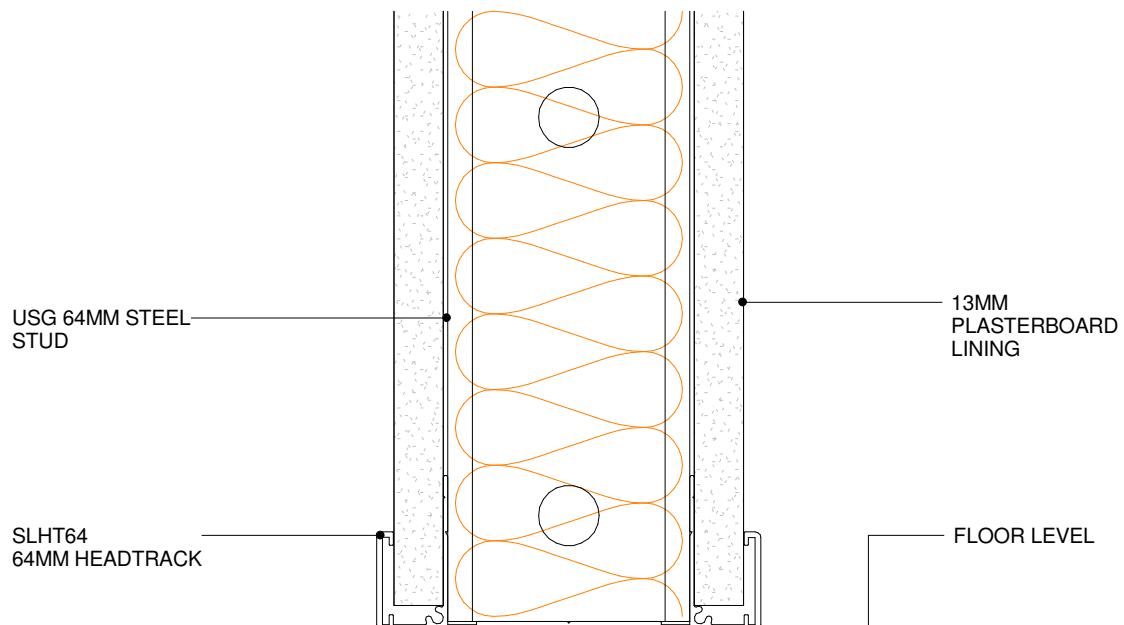
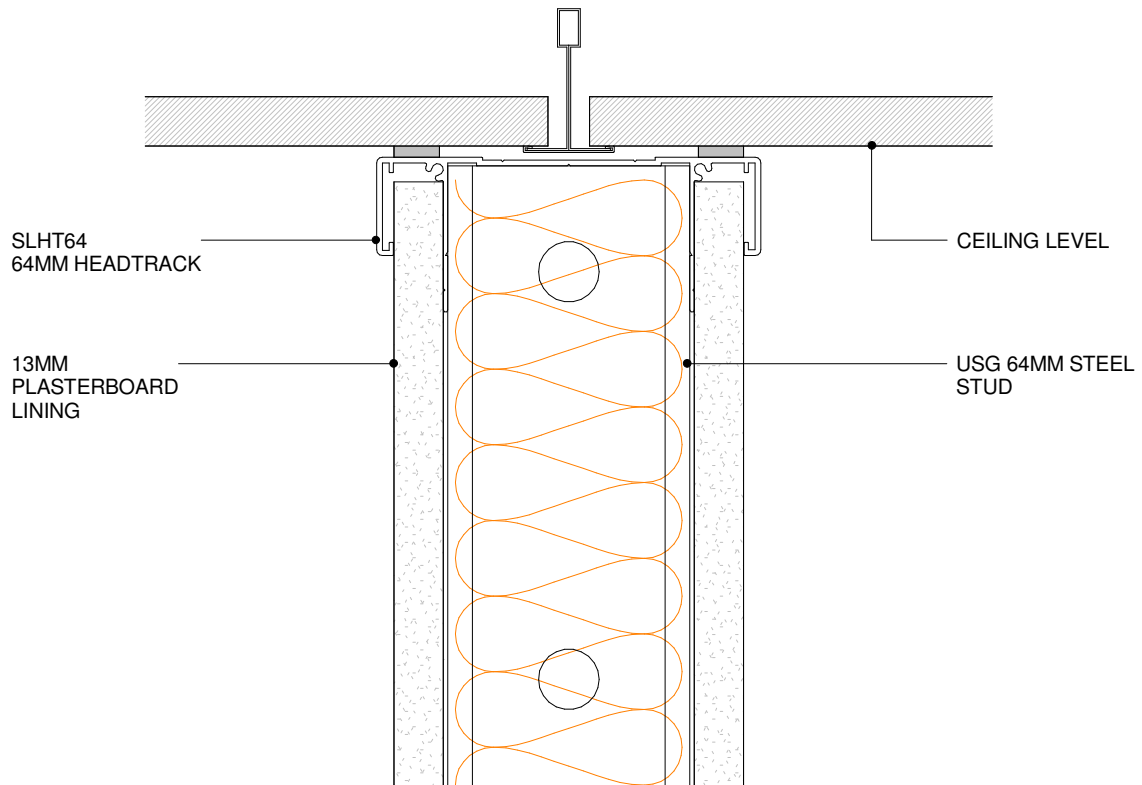
**7.3.2**  
SHEET

1 : 2 @ A4  
SCALE

10/01/2011  
ISSUED DATE

0800 POTTER (0800 768 837) WWW.POTTERS.CO.NZ  
DETAILS SUBJECT TO CHANGE WITHOUT NOTICE



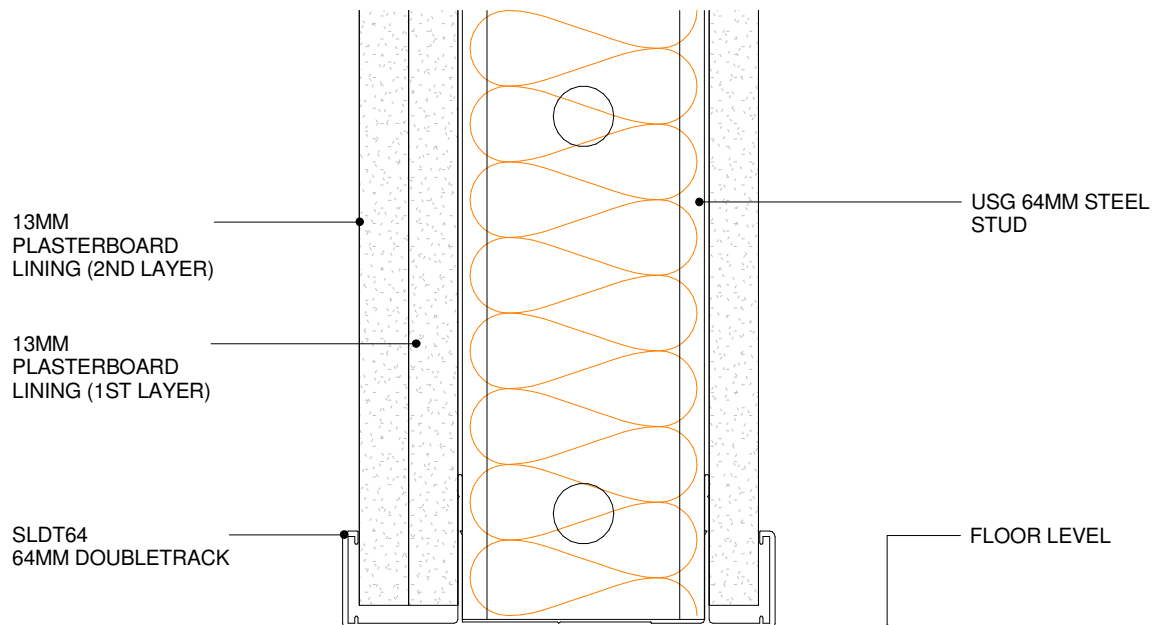
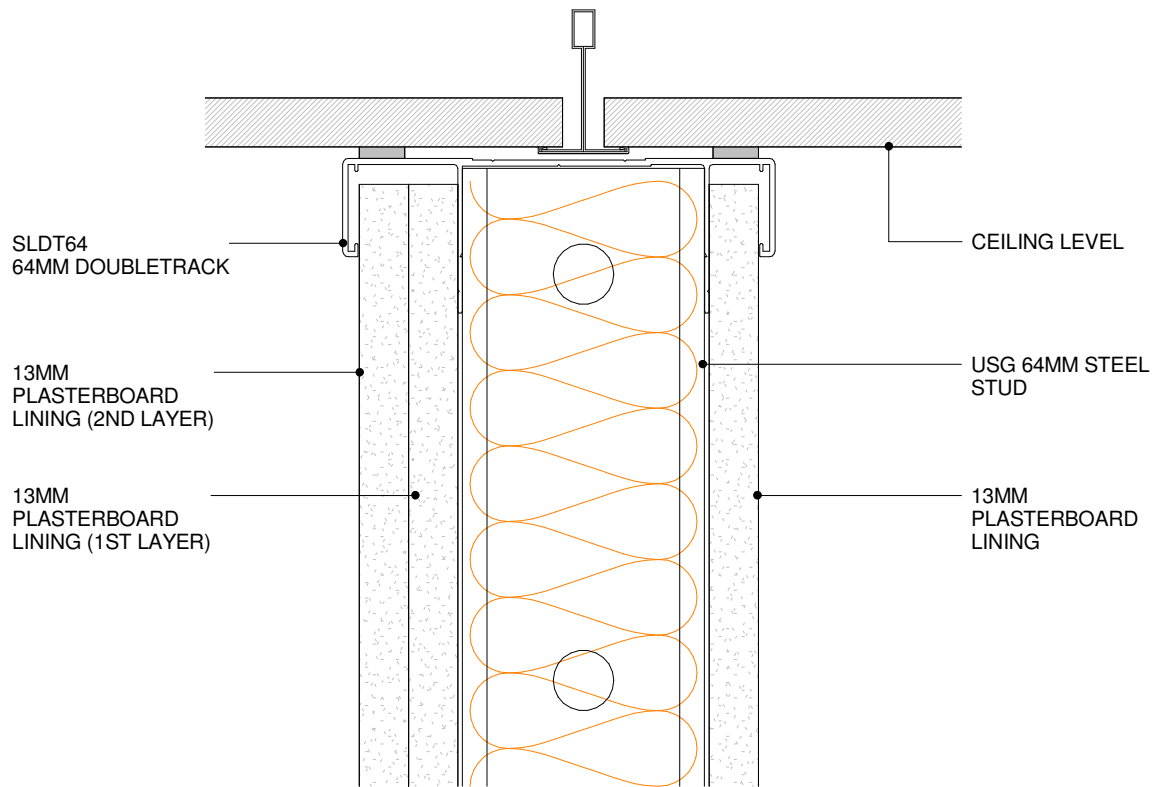

**POTTER ALUMINIUM SYSTEMS**  
**SOFTLINE 64MM - STEEL STUD WALL**  
**CROSS SECTION**
**7.4.1**  
 SHEET

 1 : 2 @ A4  
 SCALE

 10/01/2011  
 ISSUED DATE

 0800 POTTER (0800 768 837) WWW.POTTERS.CO.NZ  
 DETAILS SUBJECT TO CHANGE WITHOUT NOTICE

**CSR**



**POTTER ALUMINIUM SYSTEMS**  
**SOFTLINE 64MM - STEEL STUD WALL, TWO LAYER PLASTERBOARD**  
**CROSS SECTION**

**7.4.2**

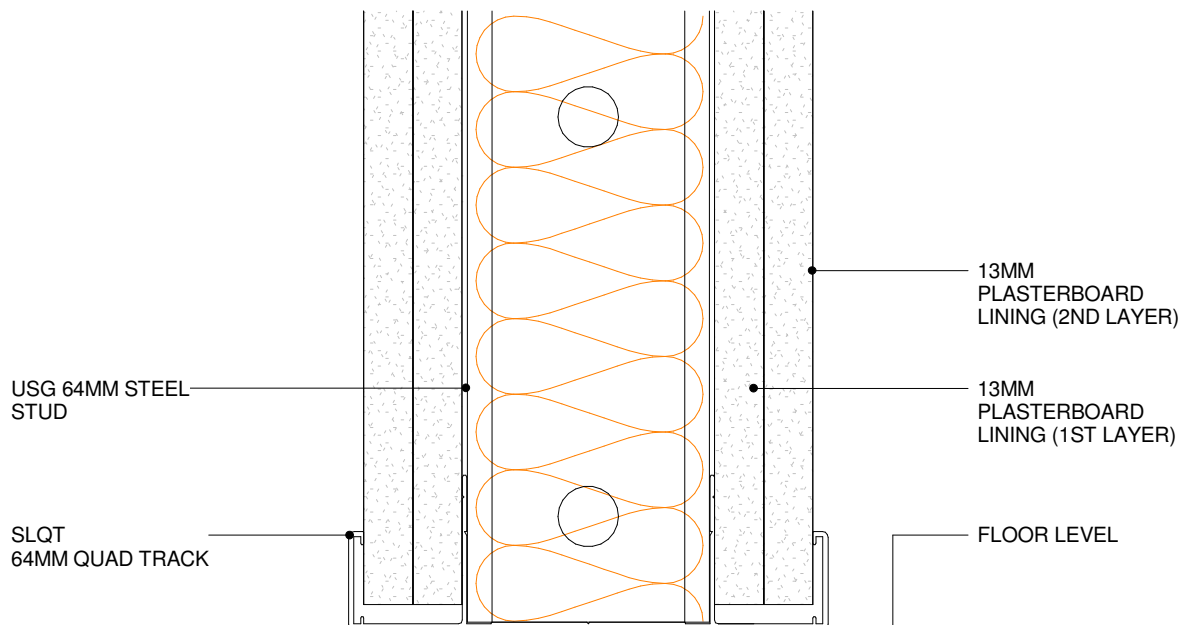
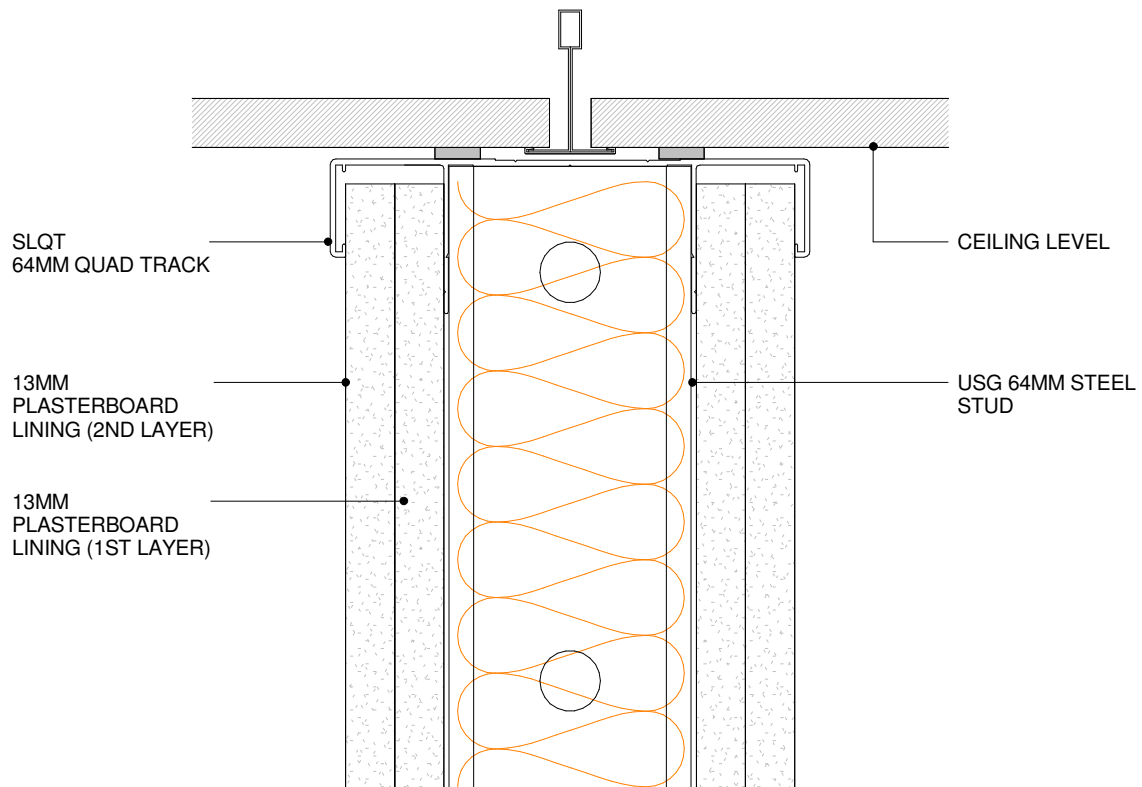
SHEET

1 : 2 @ A4  
 SCALE

10/01/2011  
 ISSUED DATE

0800 POTTER (0800 768 837) WWW.POTTERS.CO.NZ  
 DETAILS SUBJECT TO CHANGE WITHOUT NOTICE


**CSR**



**POTTER ALUMINIUM SYSTEMS**  
**SOFTLINE 64MM - STUD WALL QUADTRACK**  
**CROSS SECTION**

**7.4.3**

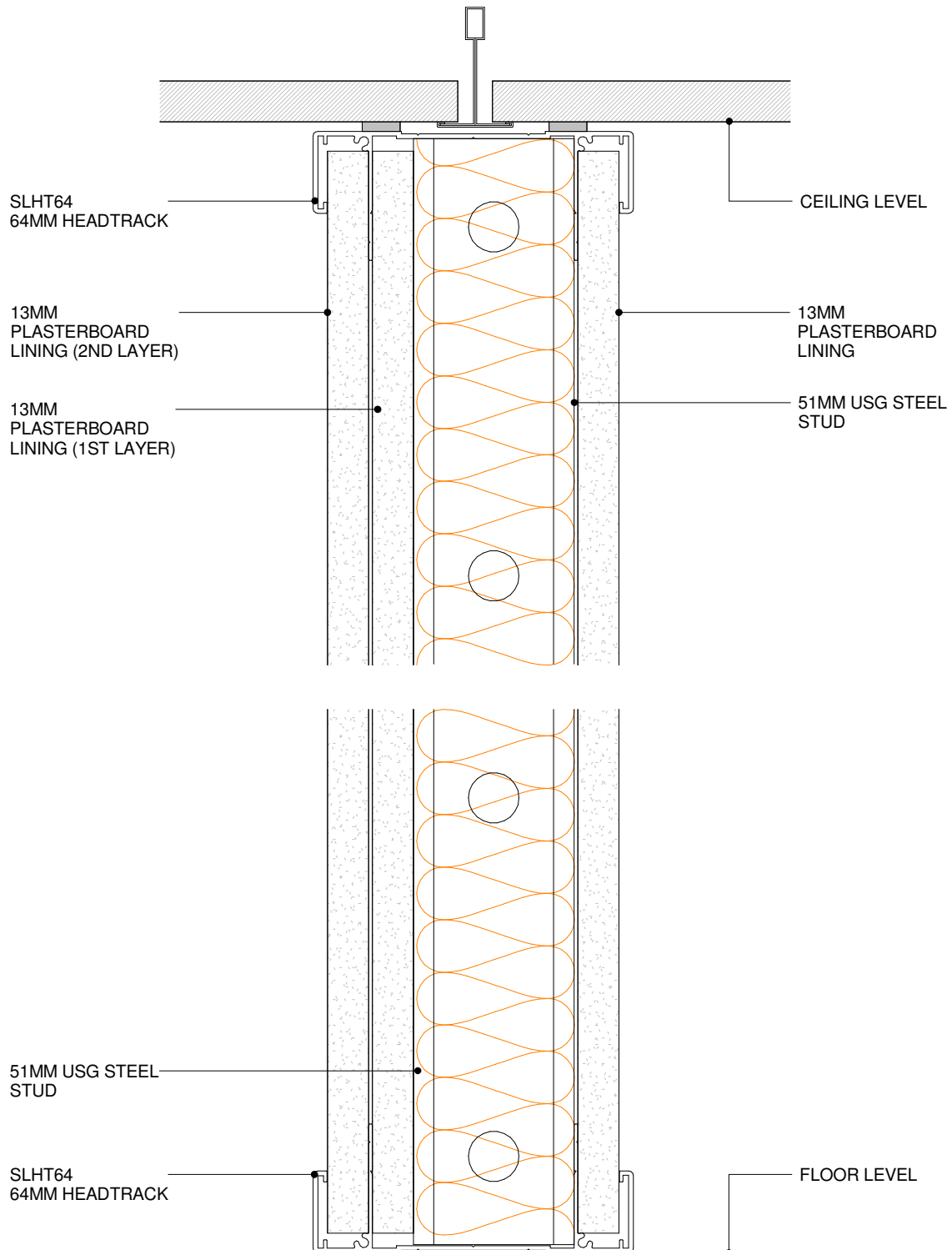
SHEET

1 : 2 @ A4  
 SCALE

10/01/2011  
 ISSUED DATE

0800 POTTER (0800 768 837) WWW.POTTERS.CO.NZ  
 DETAILS SUBJECT TO CHANGE WITHOUT NOTICE


**CSR**



SOFTLINE SERIES

**POTTER ALUMINIUM SYSTEMS**  
**SOFTLINE 64MM - STEEL STUD WALL (ALTERNATIVE)**  
**CROSS SECTION**

**7.4.4**

SHEET

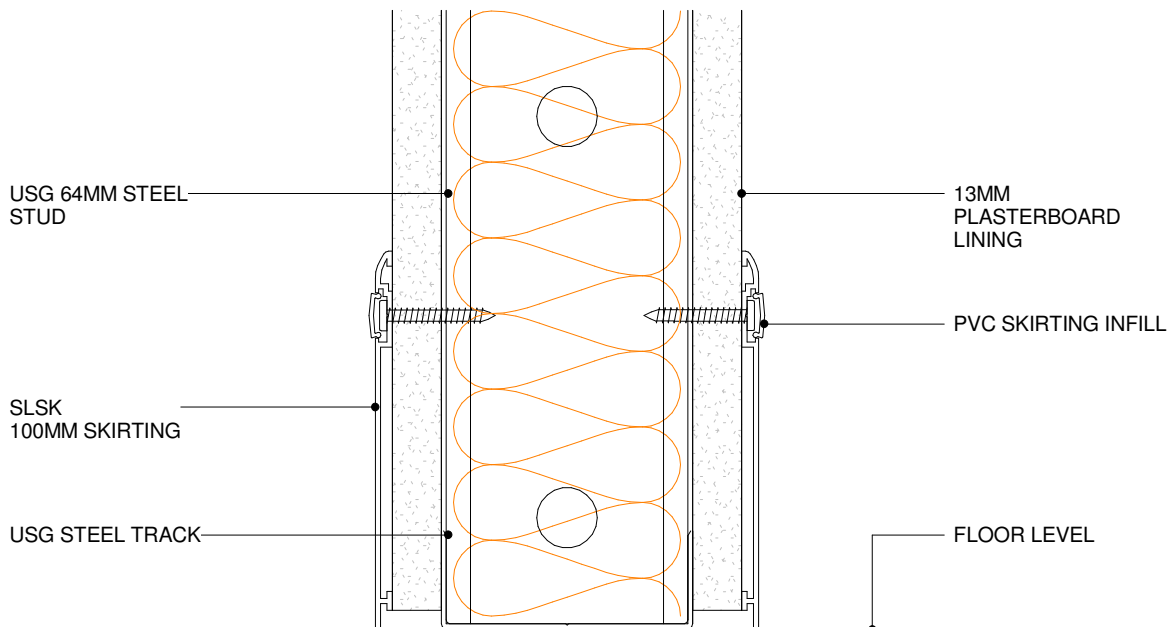
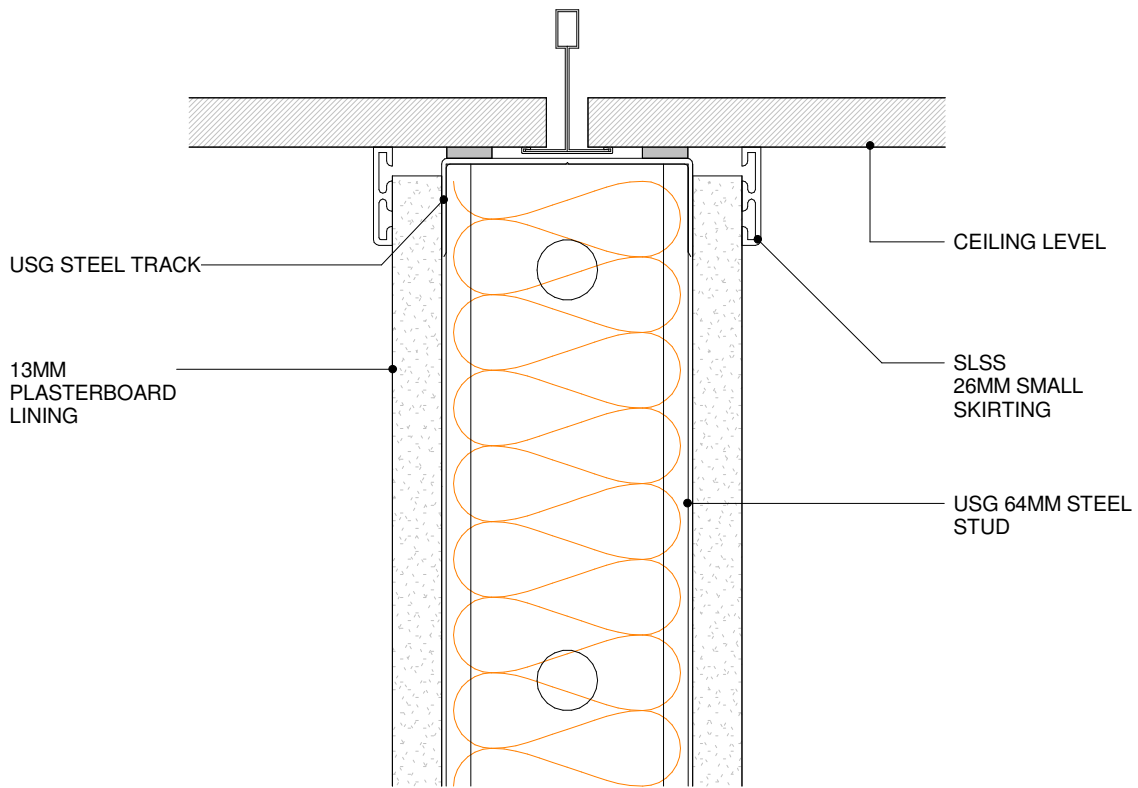
1 : 2 @ A4  
 SCALE

10/01/2011  
 ISSUED DATE

0800 POTTER (0800 768 837) WWW.POTTERS.CO.NZ  
 DETAILS SUBJECT TO CHANGE WITHOUT NOTICE







**POTTER ALUMINIUM SYSTEMS**  
**SOFTLINE 64MM - STEEL STUD WALL WITH SKIRTING**  
**CROSS SECTION**

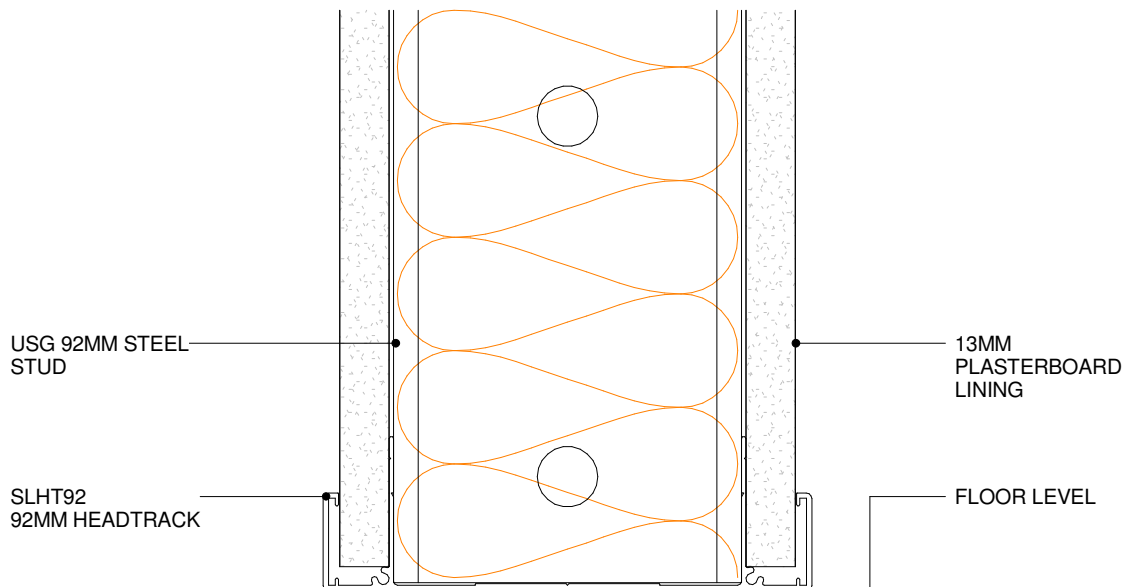
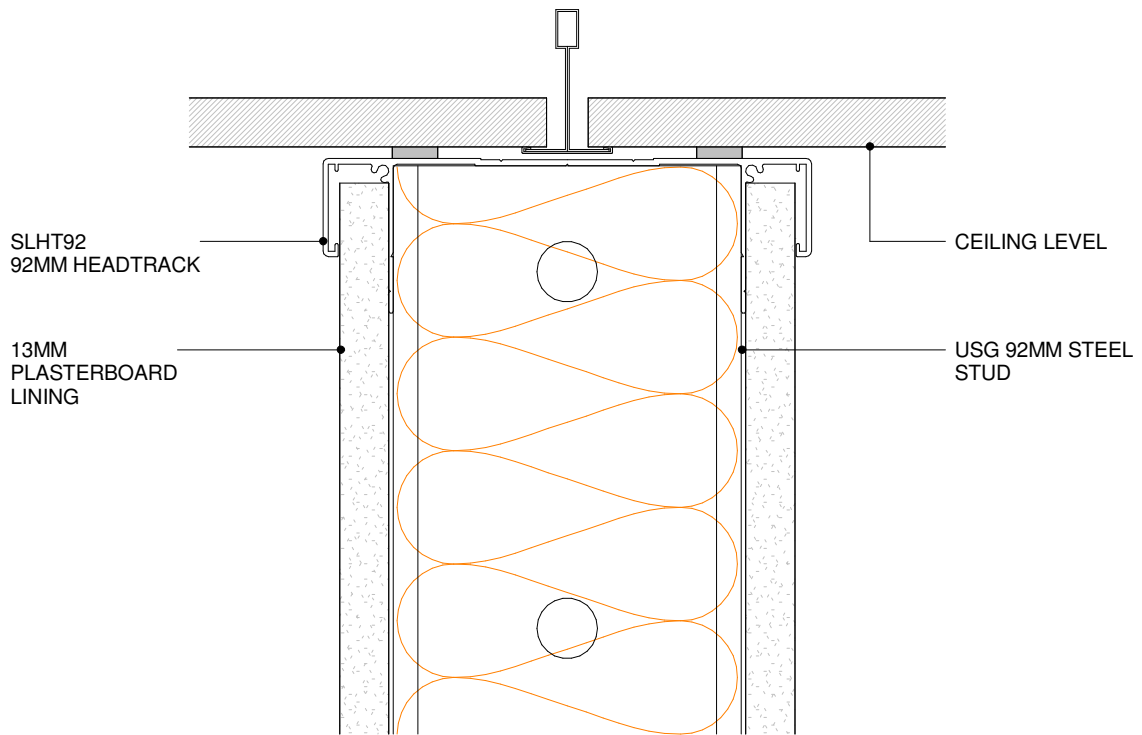
**7.4.5**  
 SHEET

1 : 2 @ A4  
 SCALE

10/01/2011  
 ISSUED DATE

0800 POTTER (0800 768 837) WWW.POTTERS.CO.NZ  
 DETAILS SUBJECT TO CHANGE WITHOUT NOTICE





**POTTER ALUMINIUM SYSTEMS**  
**SOFTLINE 92MM - STEEL STUD WALL**  
**CROSS SECTION**

**7.4.6**

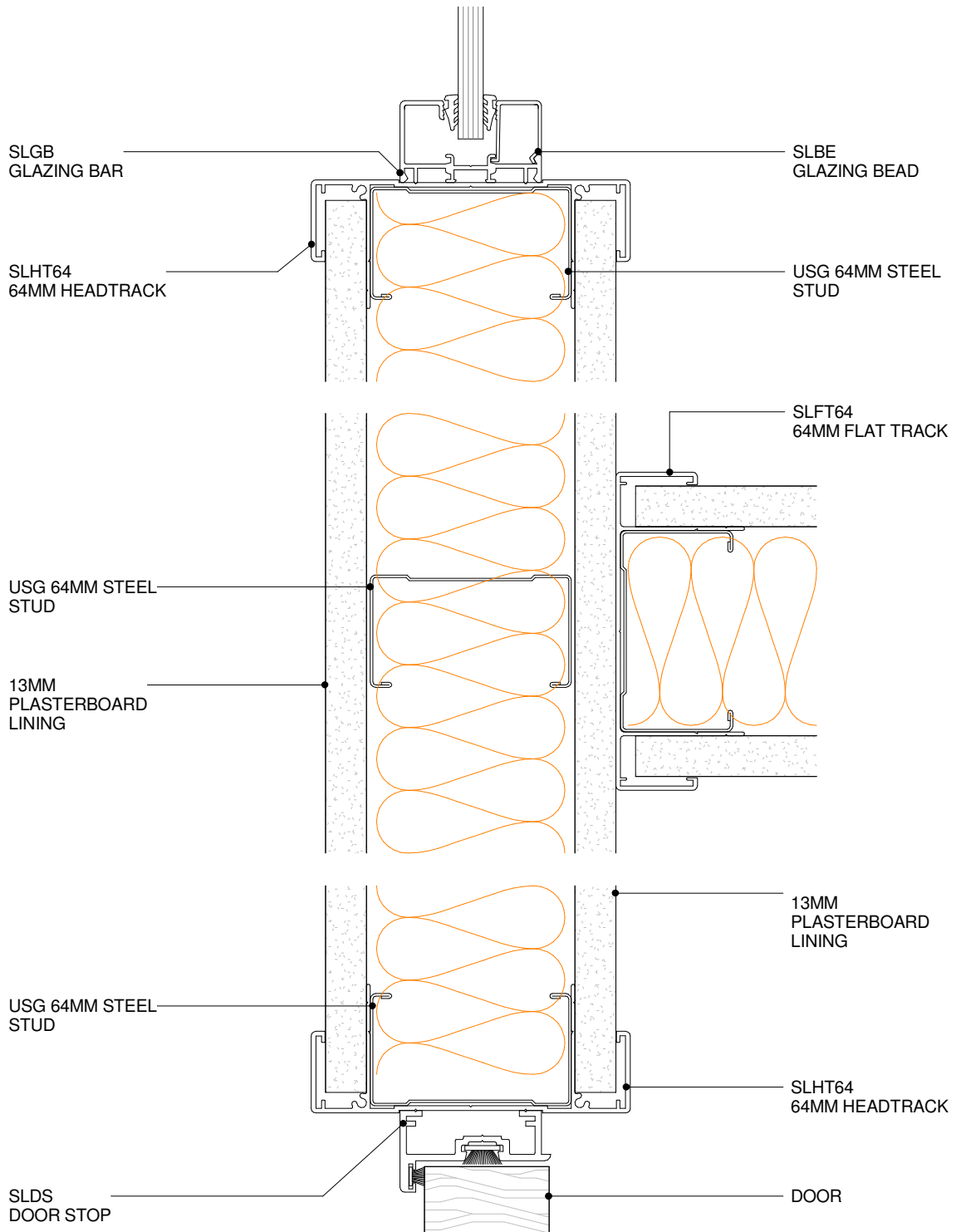
SHEET

1 : 2 @ A4  
SCALE

10/01/2011  
ISSUED DATE

0800 POTTER (0800 768 837) WWW.POTTERS.CO.NZ  
 DETAILS SUBJECT TO CHANGE WITHOUT NOTICE

**CSR**


**POTTER ALUMINIUM SYSTEMS**  
**SOFTLINE 64MM - STEEL STUD WALL INTERSECTIONS**  
**PLAN VIEW**
**7.4.7**

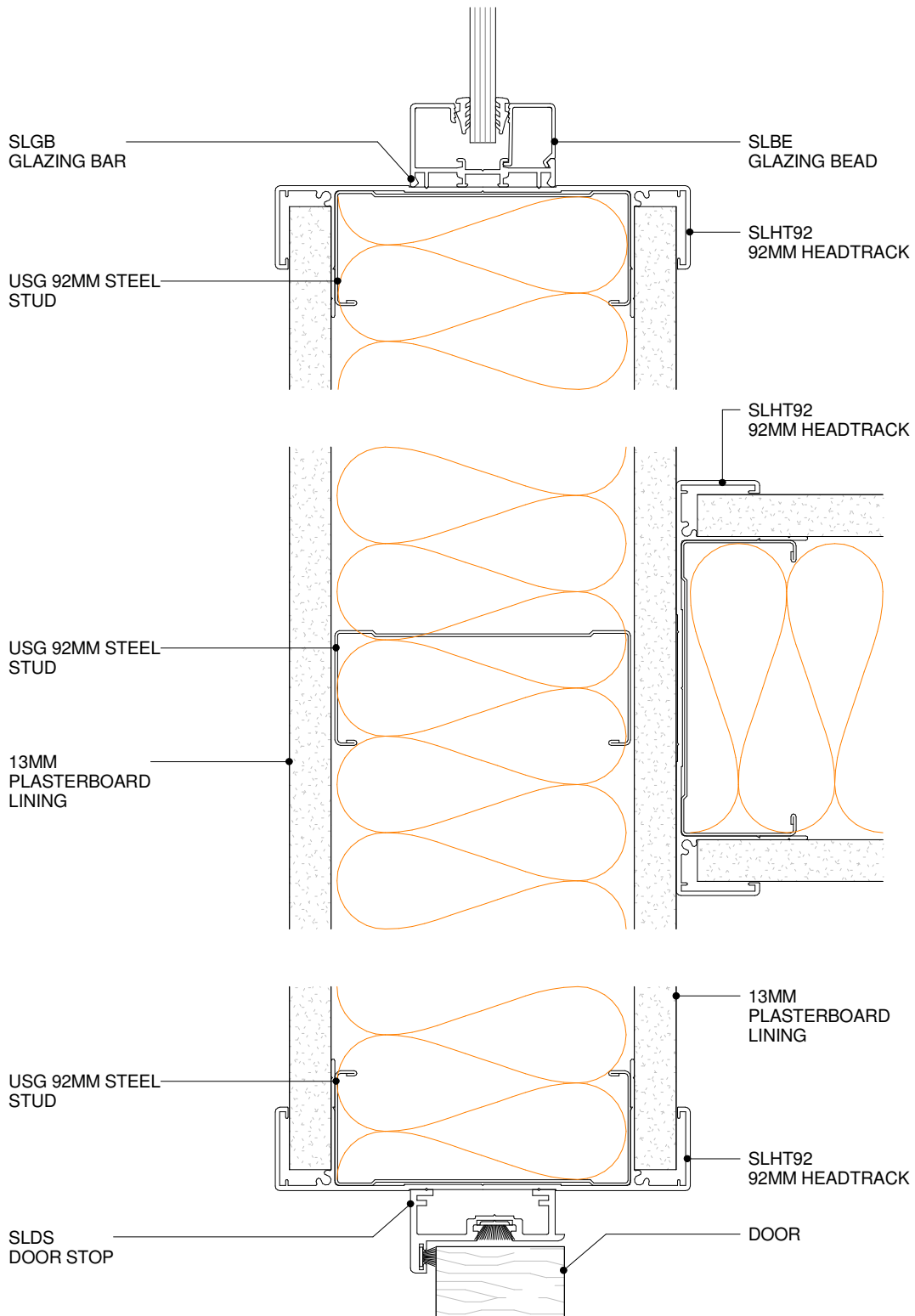
SHEET

 1 : 2 @ A4  
 SCALE

 10/01/2011  
 ISSUED DATE

 0800 POTTER (0800 768 837) WWW.POTTERS.CO.NZ  
 DETAILS SUBJECT TO CHANGE WITHOUT NOTICE

**CSR**



**POTTER ALUMINIUM SYSTEMS**  
**SOFTLINE 92MM - PLASTERBOARD WALL INTERSECTIONS**  
**PLAN VIEW**

**7.4.8**

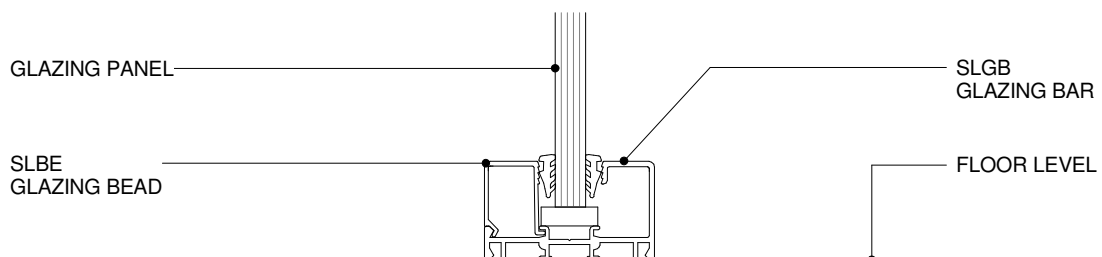
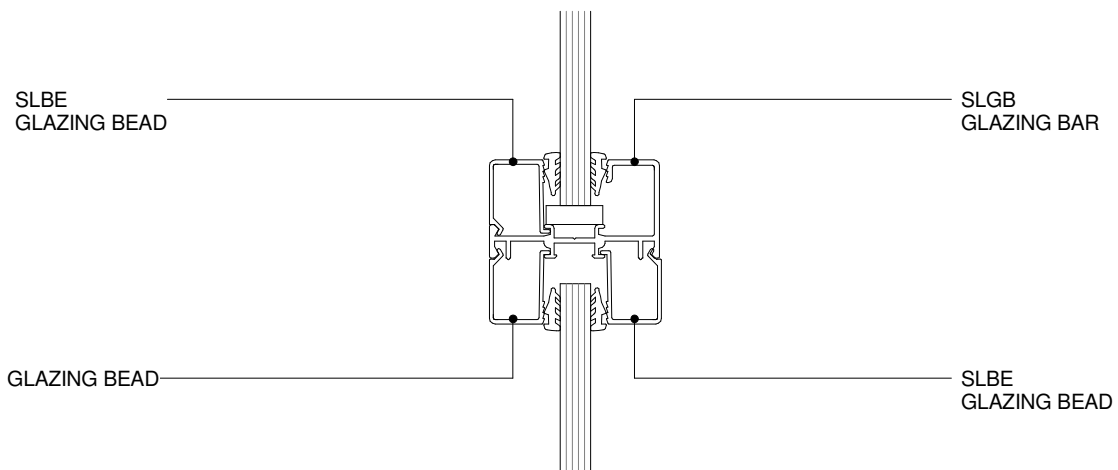
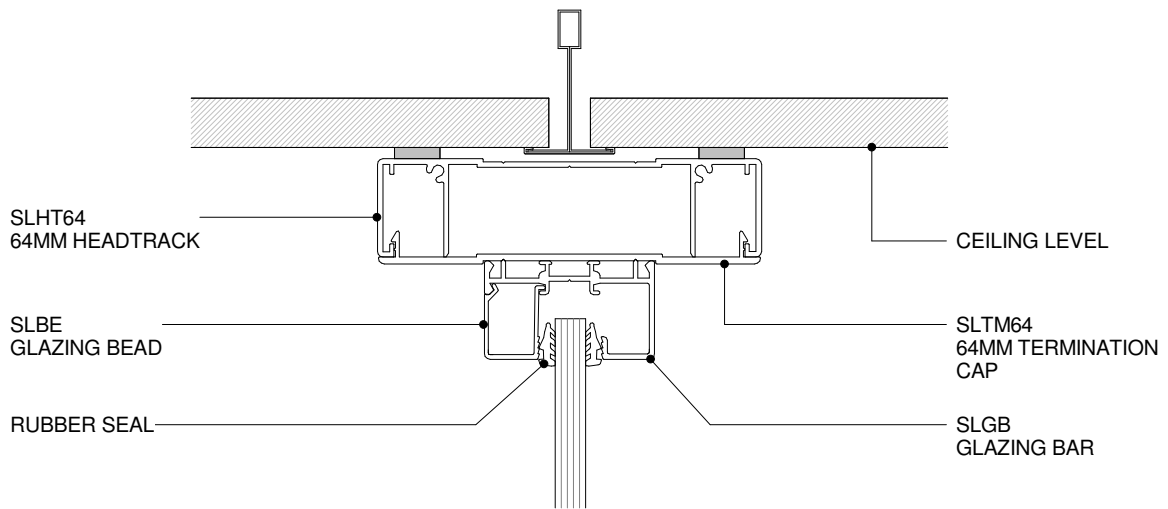
SHEET

1 : 2 @ A4  
SCALE

10/01/2011  
ISSUED DATE

0800 POTTER (0800 768 837) WWW.POTTERS.CO.NZ  
DETAILS SUBJECT TO CHANGE WITHOUT NOTICE


**CSR**



**POTTER ALUMINIUM SYSTEMS**  
**SOFTLINE 64MM - FULL HEIGHT GLASS PARTITIONING**  
**CROSS SECTION**

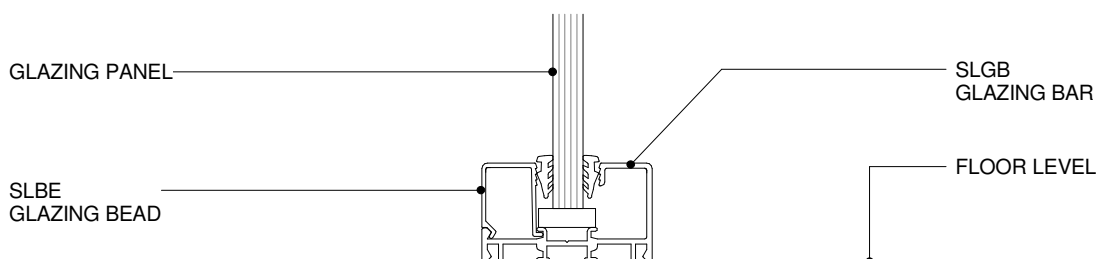
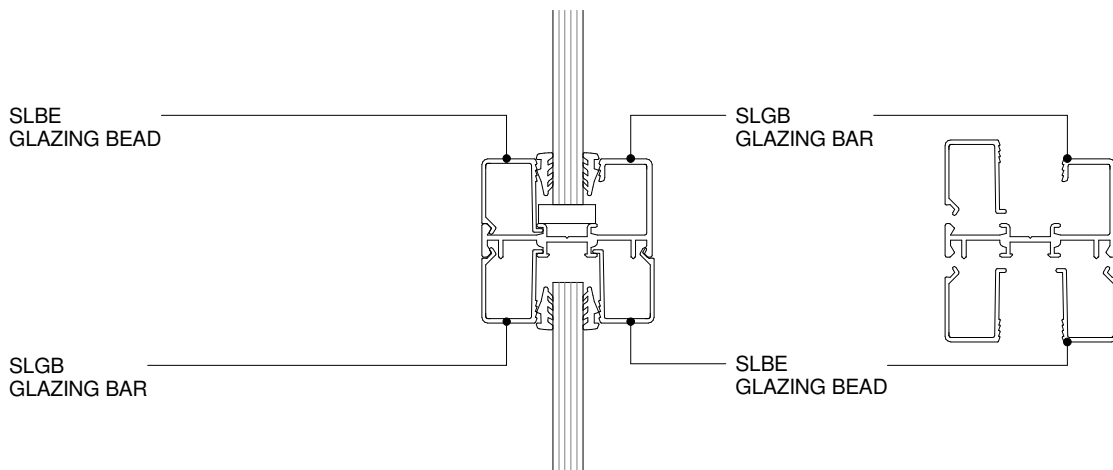
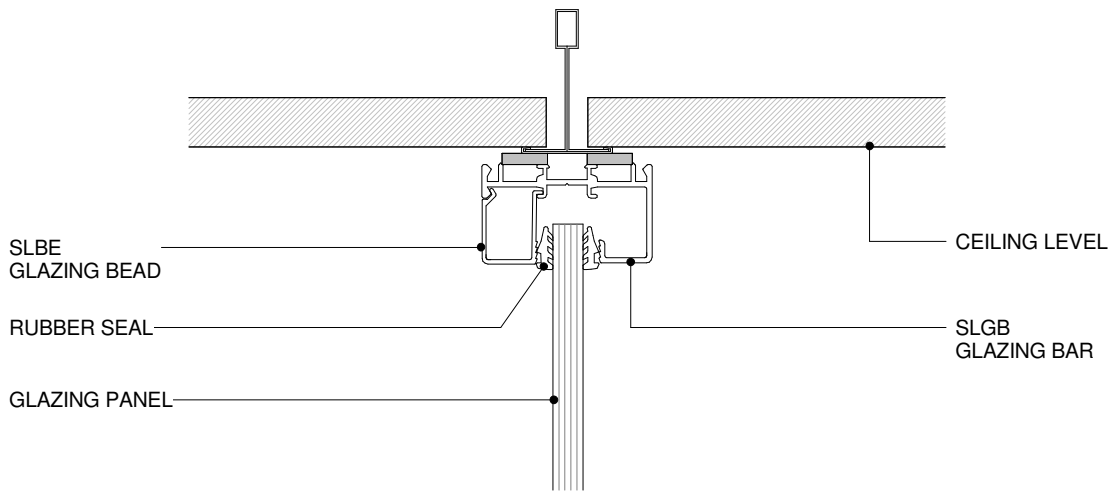
**7.5.1**  
SHEET

1 : 2 @ A4  
SCALE

10/01/2011  
ISSUED DATE

0800 POTTER (0800 768 837) WWW.POTTERS.CO.NZ  
DETAILS SUBJECT TO CHANGE WITHOUT NOTICE


**CSR**



**POTTER ALUMINIUM SYSTEMS**  
**SOFTLINE FULL HEIGHT GLASS PARTITIONING (OPTIONAL TRANSOM)**  
**CROSS SECTION**

**7.5.2**

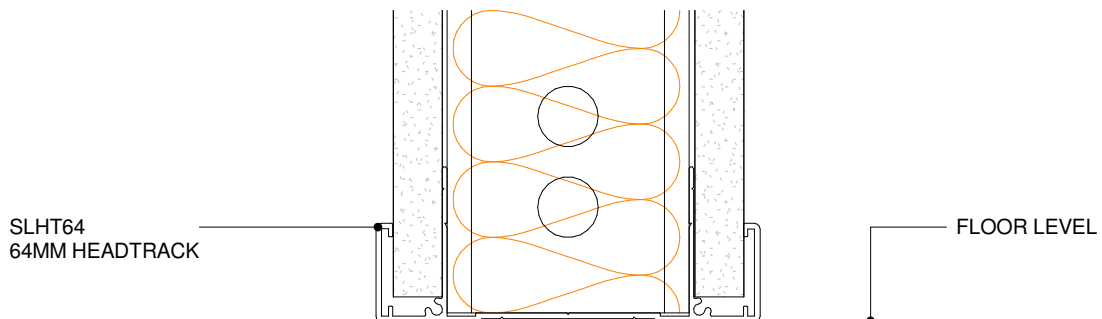
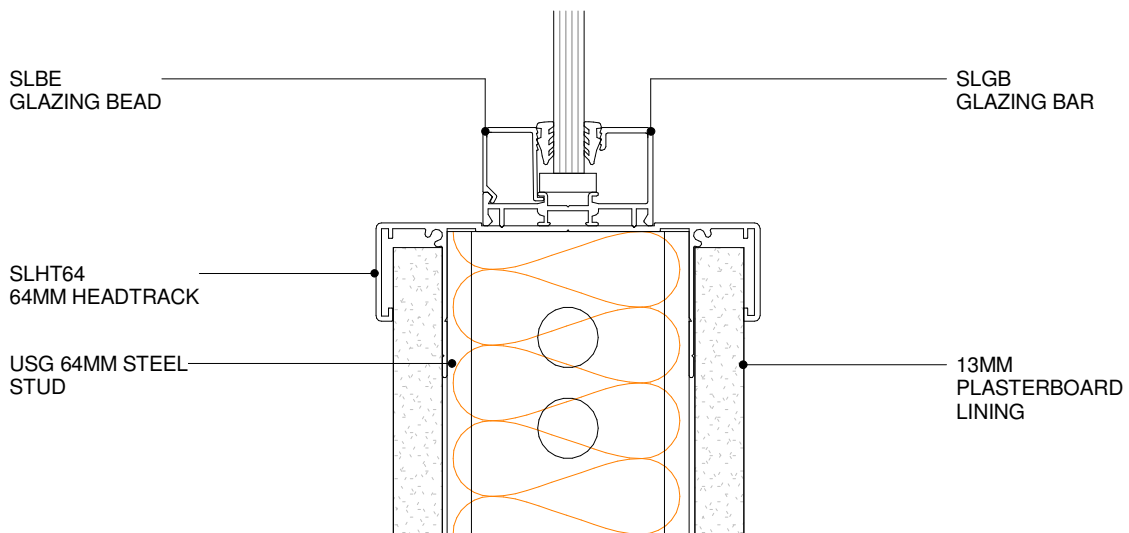
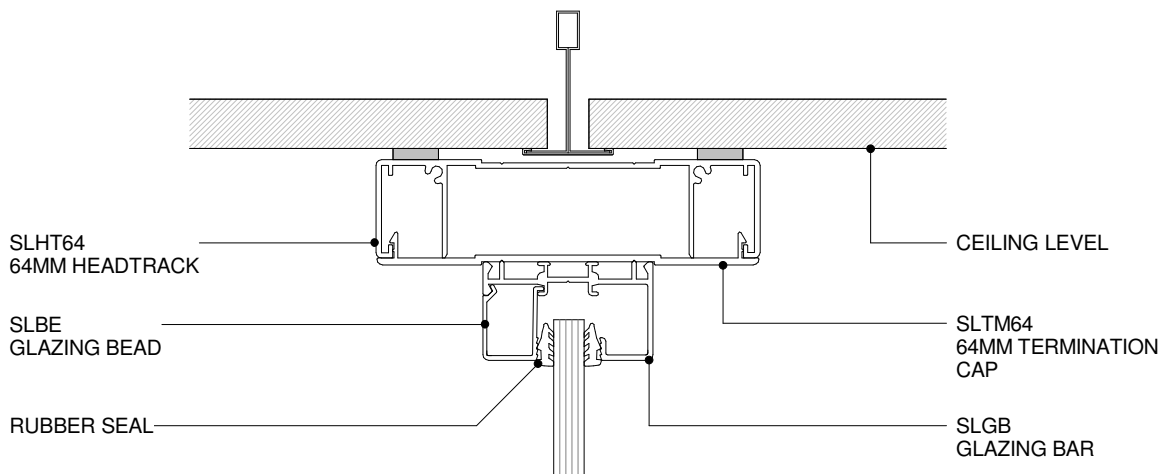
SHEET

1 : 2 @ A4  
SCALE

10/01/2011  
ISSUED DATE

0800 POTTER (0800 768 837) WWW.POTTERS.CO.NZ  
DETAILS SUBJECT TO CHANGE WITHOUT NOTICE




**POTTER ALUMINIUM SYSTEMS**  
**SOFTLINE 64MM - HALF HIGH GLAZED WALL**  
**CROSS SECTION**
**7.5.3**

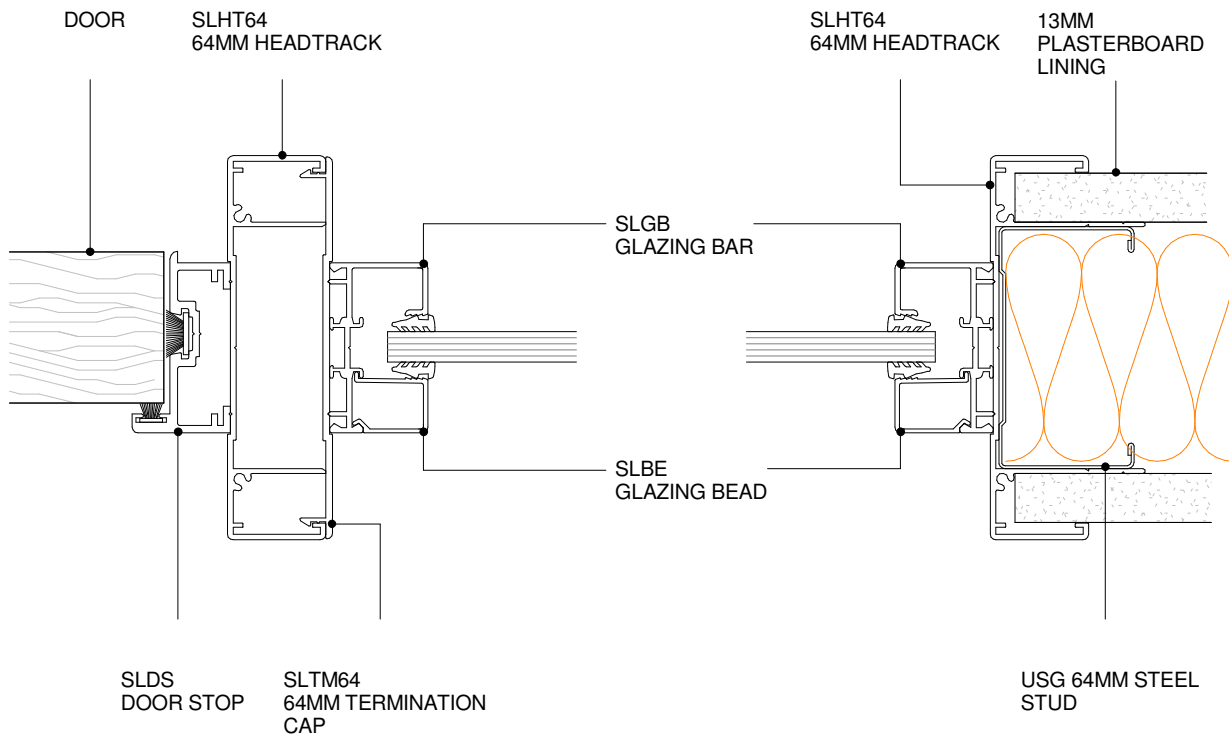
SHEET

 1 : 2 @ A4  
 SCALE

 10/01/2011  
 ISSUED DATE

 0800 POTTER (0800 768 837) WWW.POTTERS.CO.NZ  
 DETAILS SUBJECT TO CHANGE WITHOUT NOTICE

**CSR**



**POTTER ALUMINIUM SYSTEMS**  
**SOFTLINE 64MM - DOOR & SIDELIGHT TO SOLID WALL**  
**PLAN VIEW**

**7.5.4**

SHEET

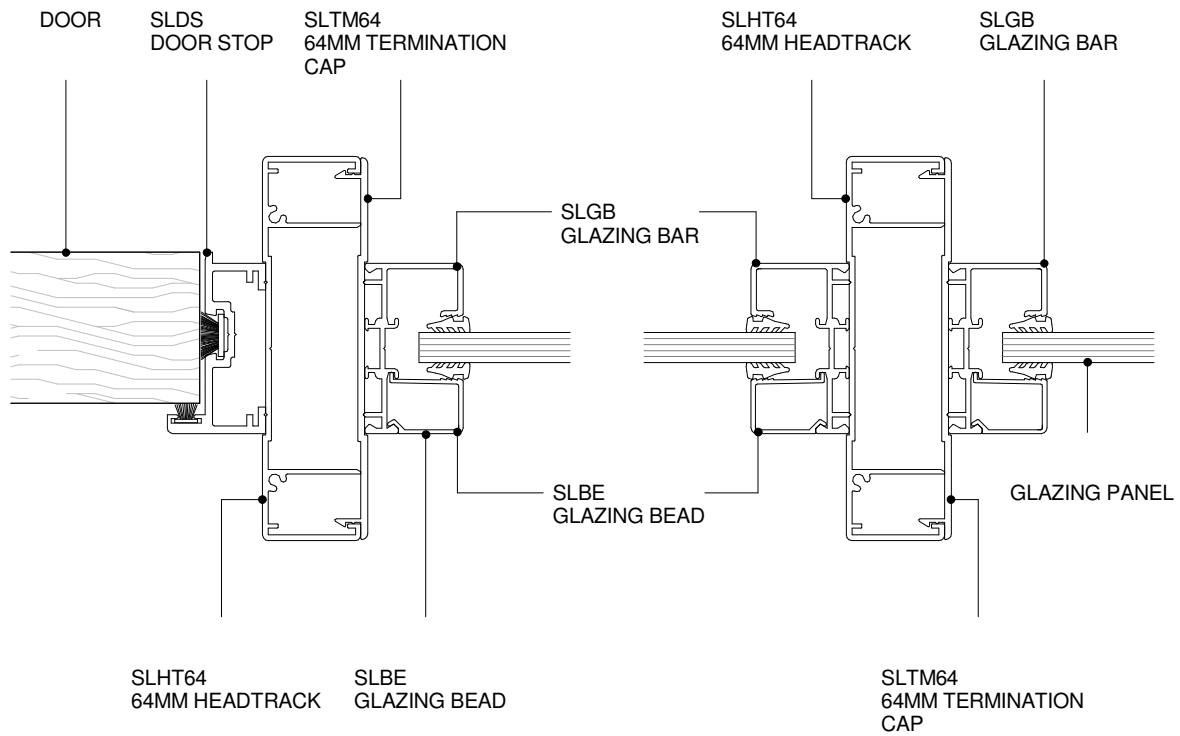
1 : 2 @ A4  
SCALE

10/01/2011  
ISSUED DATE

0800 POTTER (0800 768 837) WWW.POTTERS.CO.NZ  
 DETAILS SUBJECT TO CHANGE WITHOUT NOTICE


**CSR**



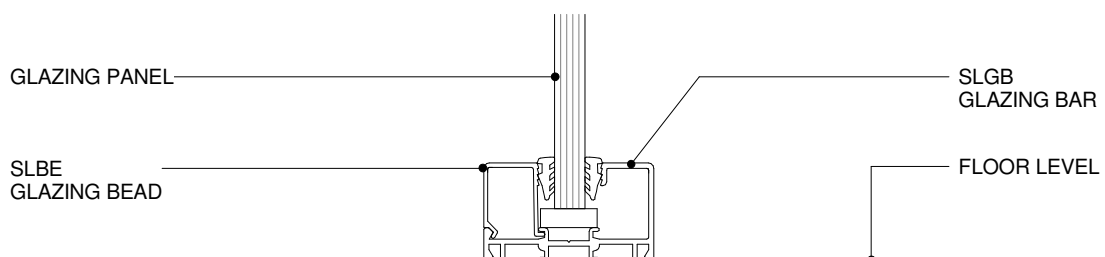
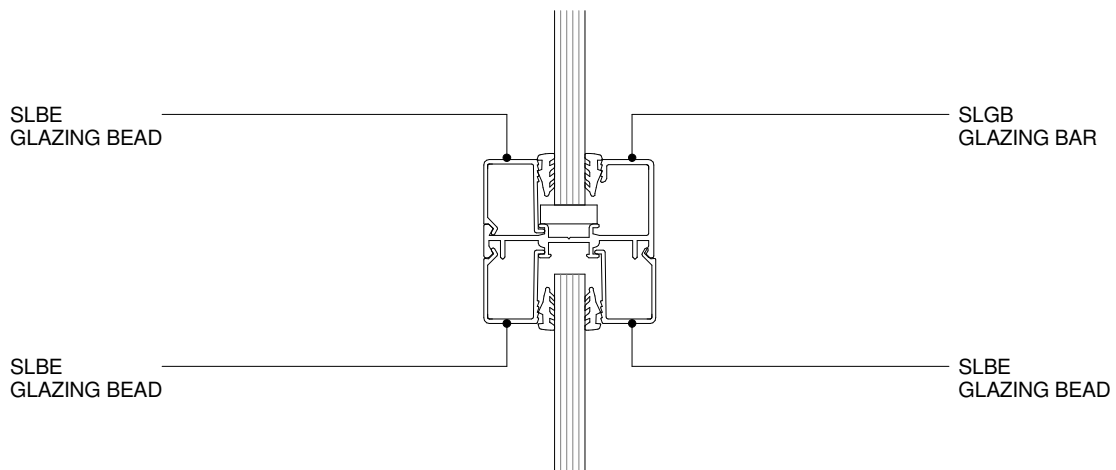
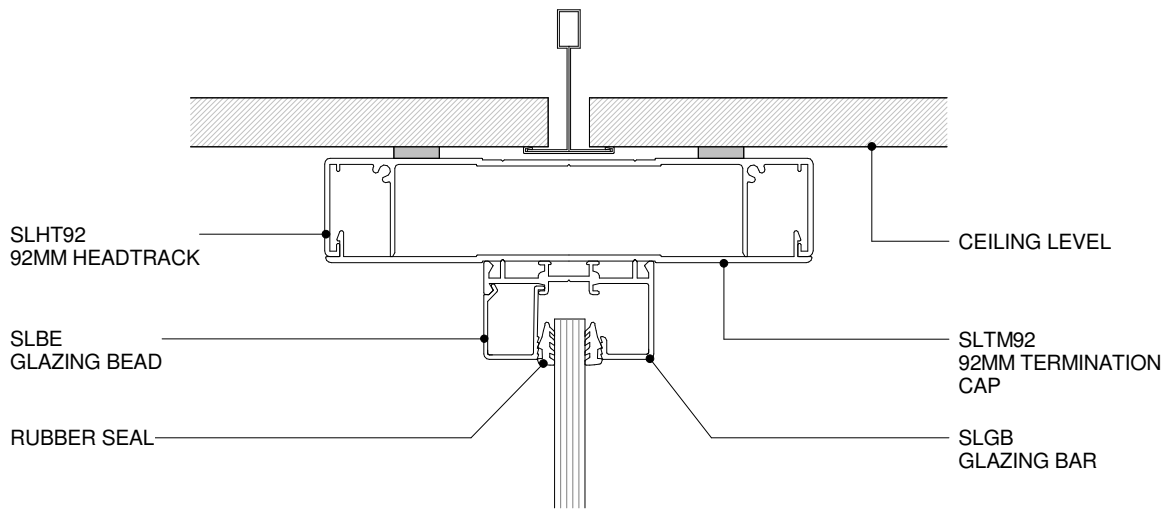

**POTTER ALUMINIUM SYSTEMS  
 SOFTLINE 64MM - MULLIONS  
 PLAN VIEW**
**7.5.5**

SHEET

 1 : 2 @ A4  
 SCALE

 10/01/2011  
 ISSUED DATE

 0800 POTTER (0800 768 837) WWW.POTTERS.CO.NZ  
 DETAILS SUBJECT TO CHANGE WITHOUT NOTICE

**POTTER ALUMINIUM SYSTEMS**  
**SOFTLINE 92MM - FULL HEIGHT GLASS PARTITIONING**  
**CROSS SECTION**

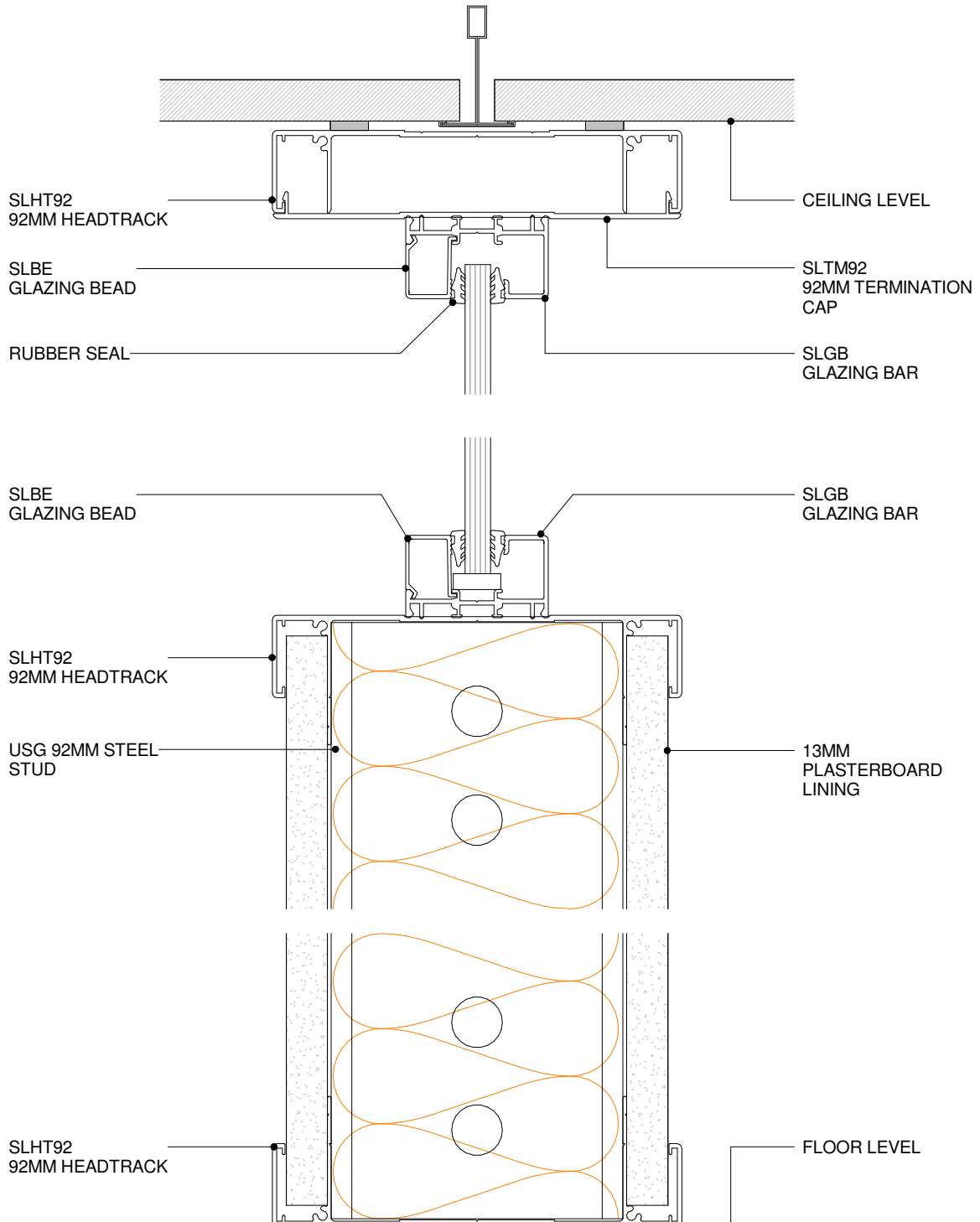
**7.5.6**  
 SHEET

1 : 2 @ A4  
 SCALE

10/01/2011  
 ISSUED DATE

0800 POTTER (0800 768 837) WWW.POTTERS.CO.NZ  
 DETAILS SUBJECT TO CHANGE WITHOUT NOTICE


**CSR**



SOFTLINE SERIES

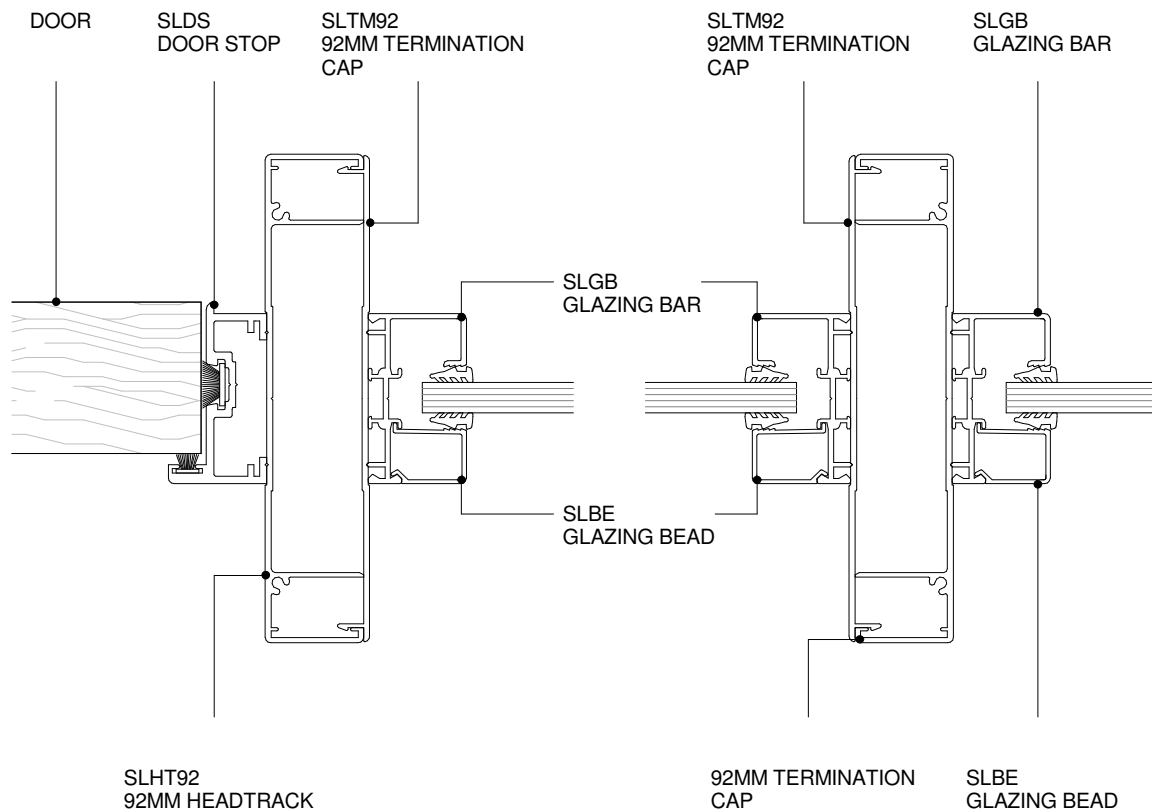
**POTTER ALUMINIUM SYSTEMS**  
**SOFTLINE 92MM - HALF HIGH GLAZED WALL**  
**CROSS SECTION**
**7.5.7**  
 SHEET

 1 : 2 @ A4  
 SCALE

 10/01/2011  
 ISSUED DATE

 0800 POTTER (0800 768 837) WWW.POTTERS.CO.NZ  
 DETAILS SUBJECT TO CHANGE WITHOUT NOTICE

**CSR**


**POTTER ALUMINIUM SYSTEMS**  
**SOFTLINE 92MM - MULLIONS**  
**PLAN VIEW**
**7.5.8**

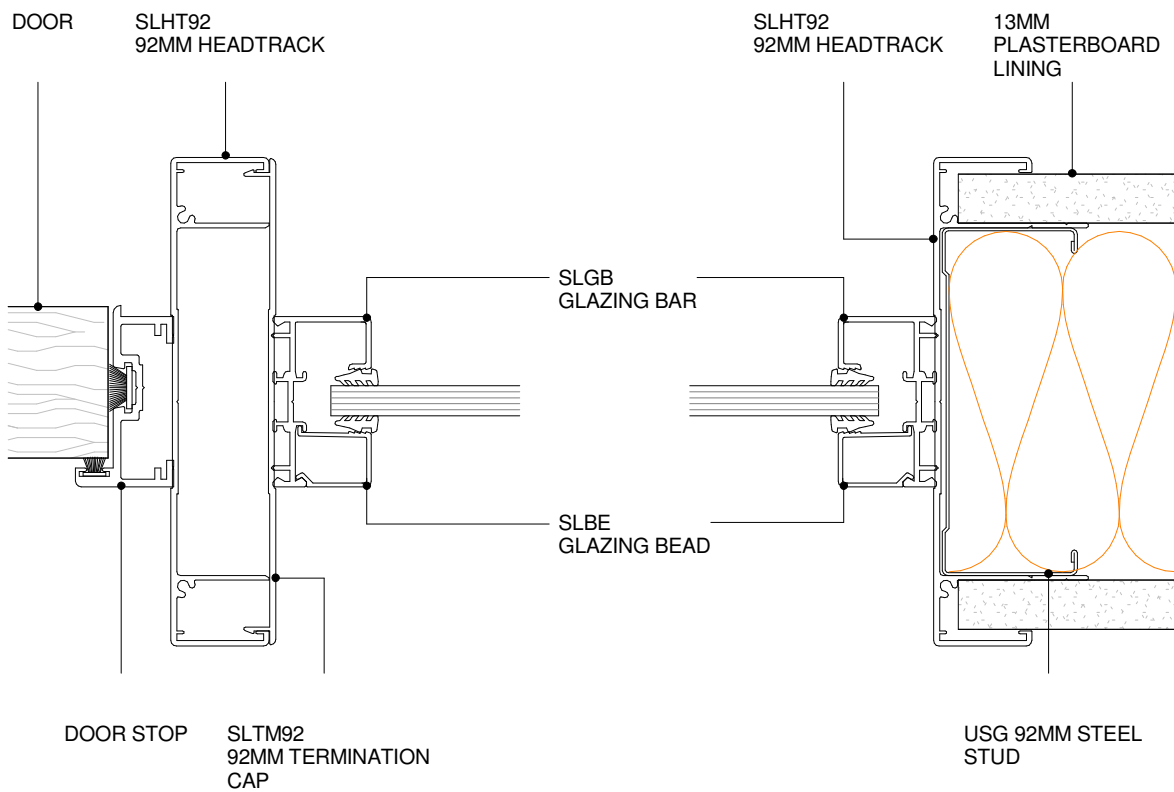
SHEET

 1 : 2 @ A4  
 SCALE

 10/01/2011  
 ISSUED DATE

 0800 POTTER (0800 768 837) WWW.POTTERS.CO.NZ  
 DETAILS SUBJECT TO CHANGE WITHOUT NOTICE

**CSR**



**POTTER ALUMINIUM SYSTEMS**  
**SOFTLINE 92MM - DOOR & SIDELIGHT TO SOLID WALL**  
**PLAN VIEW**

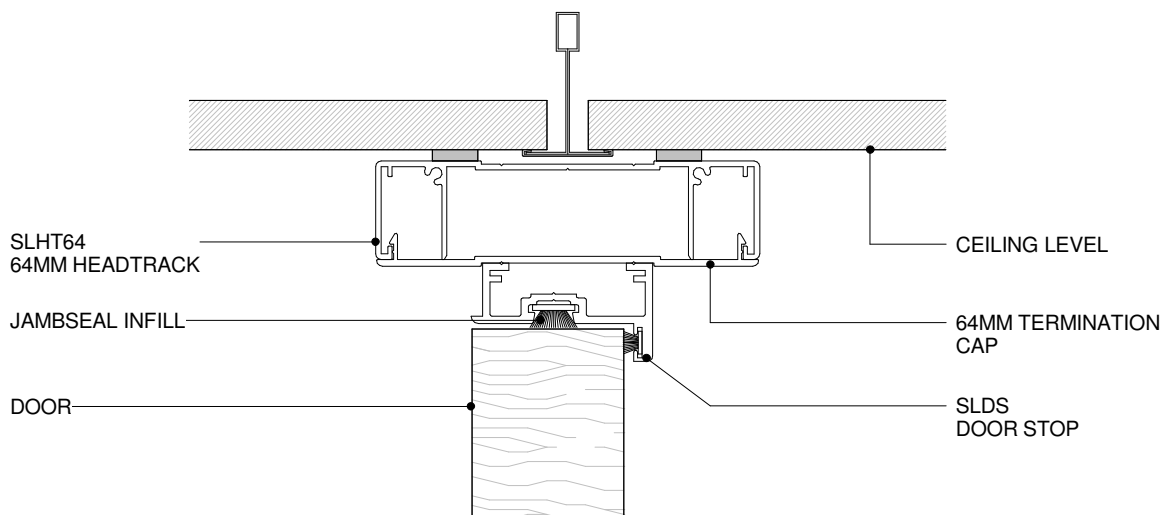
**7.5.9**  
SHEET

1 : 2 @ A4  
SCALE

10/01/2011  
ISSUED DATE

0800 POTTER (0800 768 837) WWW.POTTERS.CO.NZ  
 DETAILS SUBJECT TO CHANGE WITHOUT NOTICE


**CSR**



**POTTER ALUMINIUM SYSTEMS**  
**SOFTLINE 64MM - DOOR HEAD**  
**CROSS SECTION**

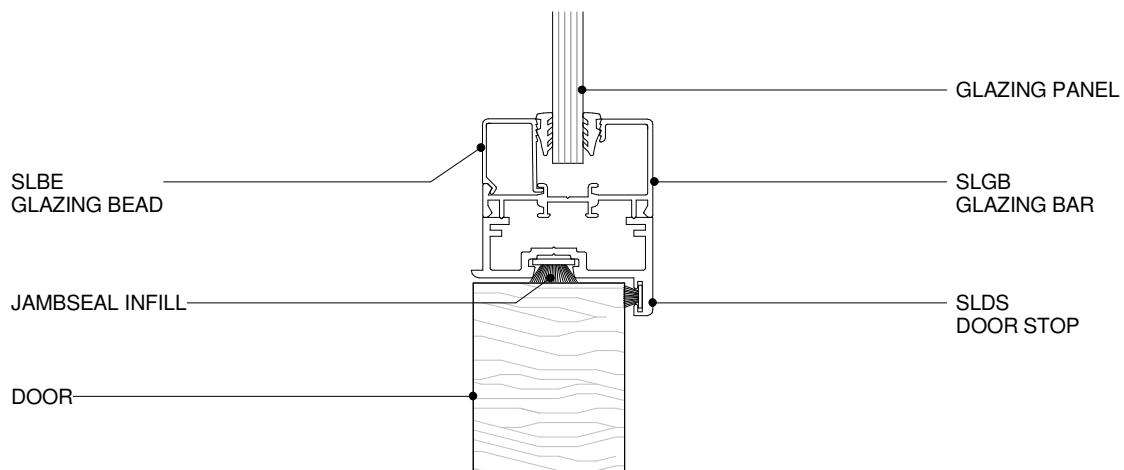
**7.6.1**  
 SHEET

1 : 2 @ A4  
 SCALE

10/01/2011  
 ISSUED DATE

0800 POTTER (0800 768 837) WWW.POTTERS.CO.NZ  
 DETAILS SUBJECT TO CHANGE WITHOUT NOTICE


**CSR**



**POTTER ALUMINIUM SYSTEMS**  
**SOFTLINE DOOR TO GLAZING CHANNEL**  
**PLAN VIEW**

**7.6.2**

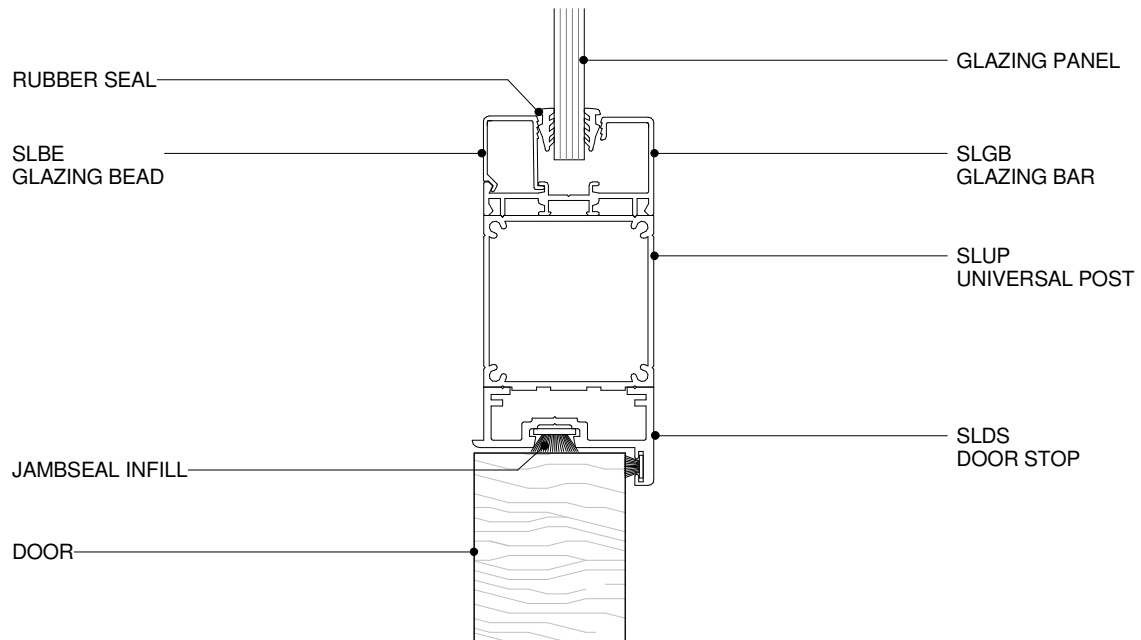
SHEET

1 : 2 @ A4  
SCALE

10/01/2011  
ISSUED DATE

0800 POTTER (0800 768 837) WWW.POTTERS.CO.NZ  
DETAILS SUBJECT TO CHANGE WITHOUT NOTICE


**CSR**



**POTTER ALUMINIUM SYSTEMS**  
**SOFTLINE DOOR TO GLAZING CHANNEL**  
**PLAN VIEW**

**7.6.3**

SHEET

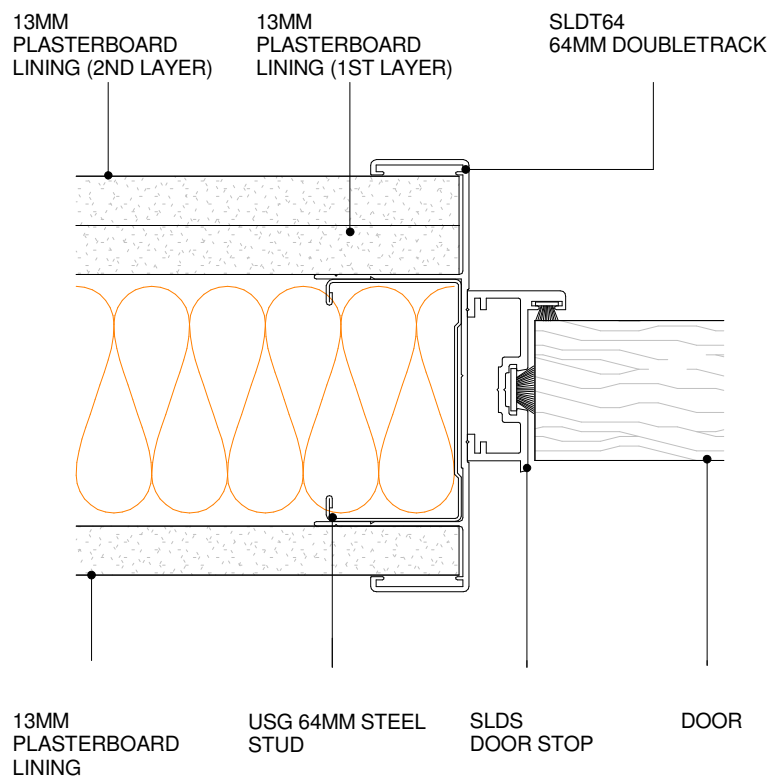
1 : 2 @ A4  
SCALE

10/01/2011  
ISSUED DATE

0800 POTTER (0800 768 837) WWW.POTTERS.CO.NZ  
DETAILS SUBJECT TO CHANGE WITHOUT NOTICE

**CSR**





**POTTER ALUMINIUM SYSTEMS**  
**SOFTLINE 64MM - STOPENDS TO WALLBOARD DOORSTOP**  
**PLAN VIEW**

**7.6.4**

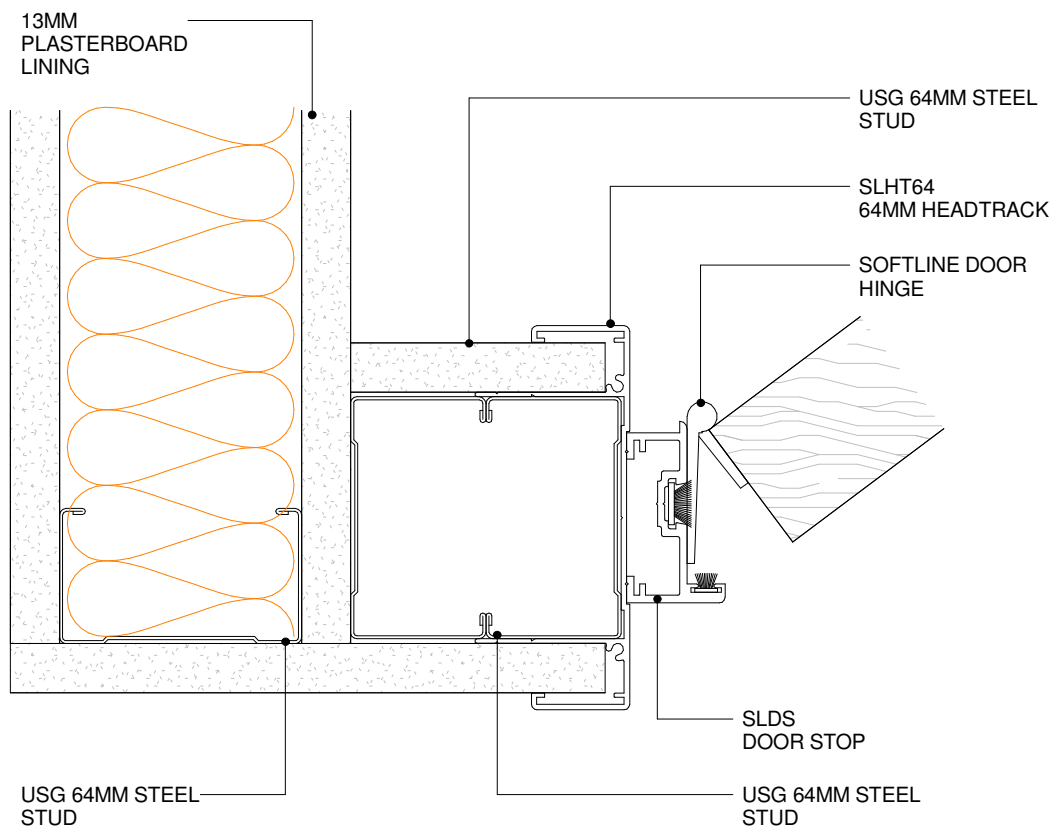
SHEET

1 : 2 @ A4  
 SCALE

10/01/2011  
 ISSUED DATE

0800 POTTER (0800 768 837) WWW.POTTERS.CO.NZ  
 DETAILS SUBJECT TO CHANGE WITHOUT NOTICE


**CSR**



**POTTER ALUMINIUM SYSTEMS**  
**SOFTLINE 64MM - DOOR TO SOLID WALL**  
**PLAN VIEW**

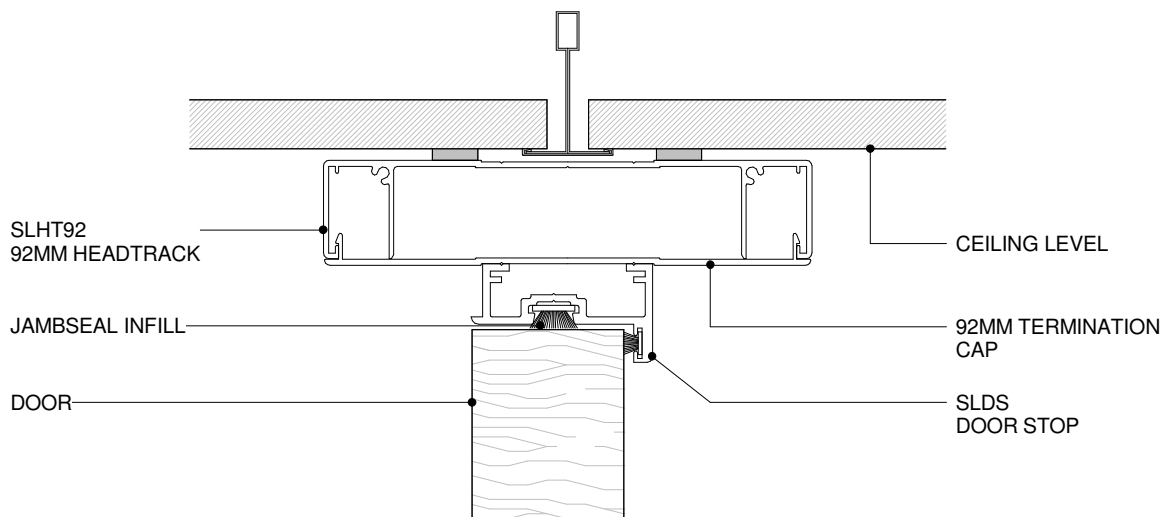
**7.6.5**  
SHEET

1 : 2 @ A4  
SCALE

10/01/2011  
ISSUED DATE

0800 POTTER (0800 768 837) WWW.POTTERS.CO.NZ  
 DETAILS SUBJECT TO CHANGE WITHOUT NOTICE



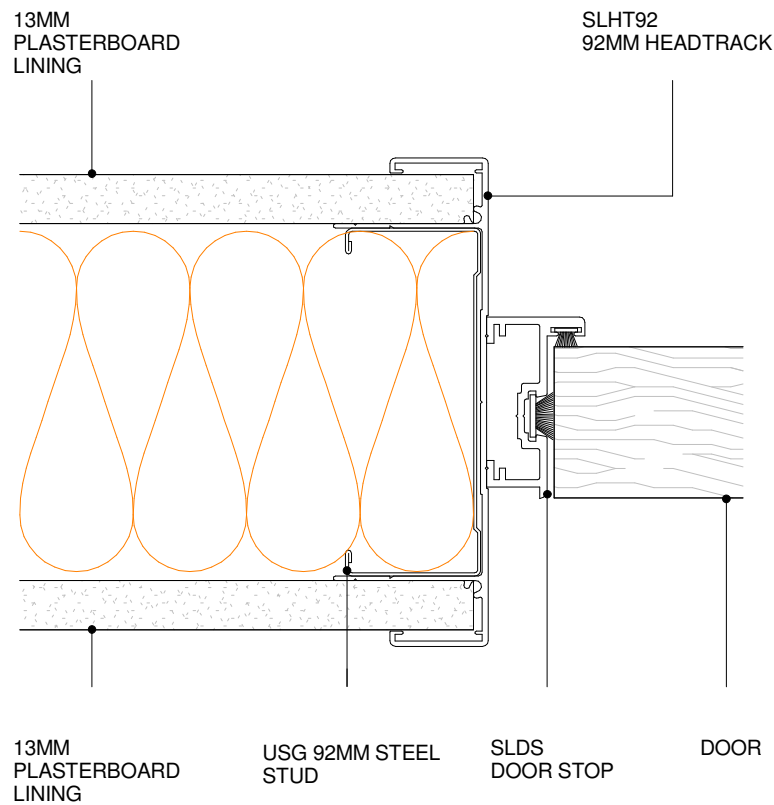

**POTTER ALUMINIUM SYSTEMS  
 SOFTLINE 92MM - DOOR HEAD  
 CROSS SECTION**
**7.6.6**  
 SHEET

 1 : 2 @ A4  
 SCALE

 10/01/2011  
 ISSUED DATE

 0800 POTTER (0800 768 837) WWW.POTTERS.CO.NZ  
 DETAILS SUBJECT TO CHANGE WITHOUT NOTICE

**CSR**



**POTTER ALUMINIUM SYSTEMS**  
**SOFTLINE 92MM - STOPENDS TO WALLBOARD DOORSTOP**  
**PLAN VIEW**

**7.6.7**

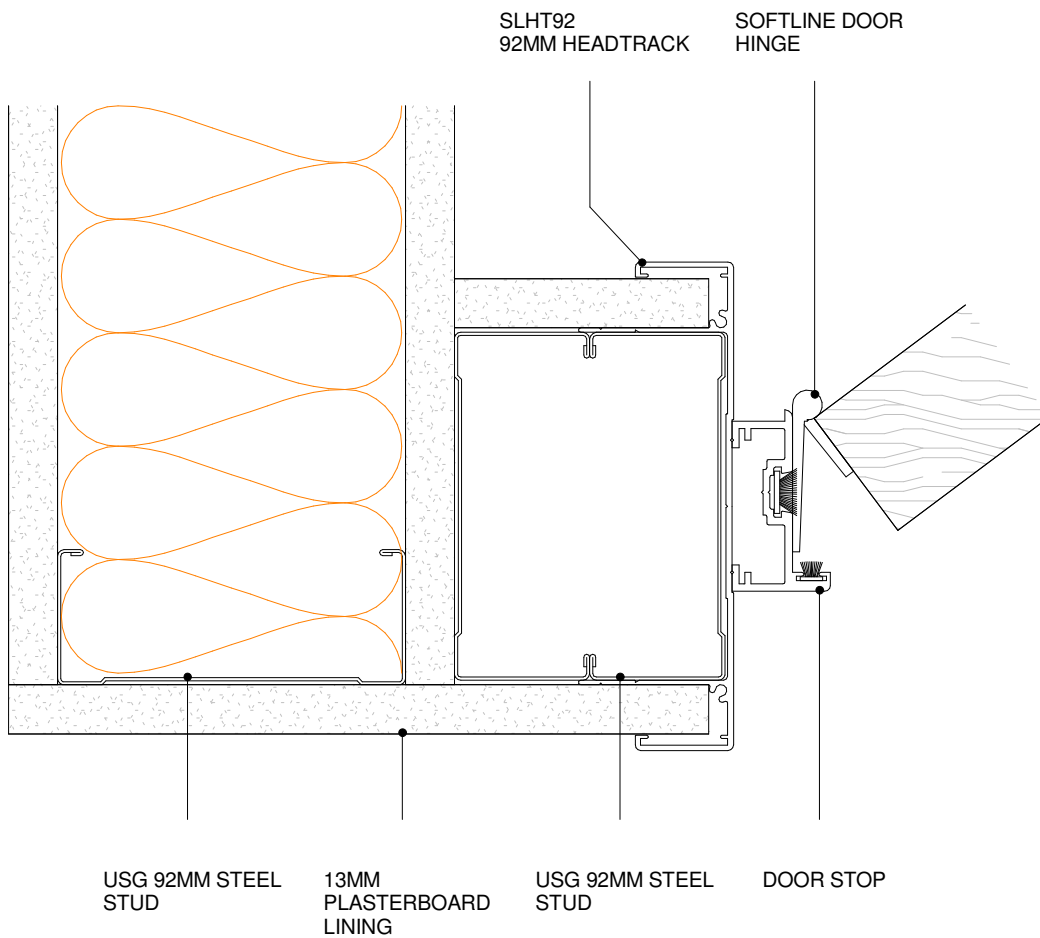
SHEET

1 : 2 @ A4  
 SCALE

10/01/2011  
 ISSUED DATE

0800 POTTER (0800 768 837) WWW.POTTERS.CO.NZ  
 DETAILS SUBJECT TO CHANGE WITHOUT NOTICE


**CSR**



**POTTER ALUMINIUM SYSTEMS**  
**SOFTLINE 92MM - DOOR TO SOLID WALL**  
**PLAN VIEW**

**7.6.8**

SHEET

1 : 2 @ A4  
SCALE

10/01/2011  
ISSUED DATE

0800 POTTER (0800 768 837) WWW.POTTERS.CO.NZ  
 DETAILS SUBJECT TO CHANGE WITHOUT NOTICE


**CSR**