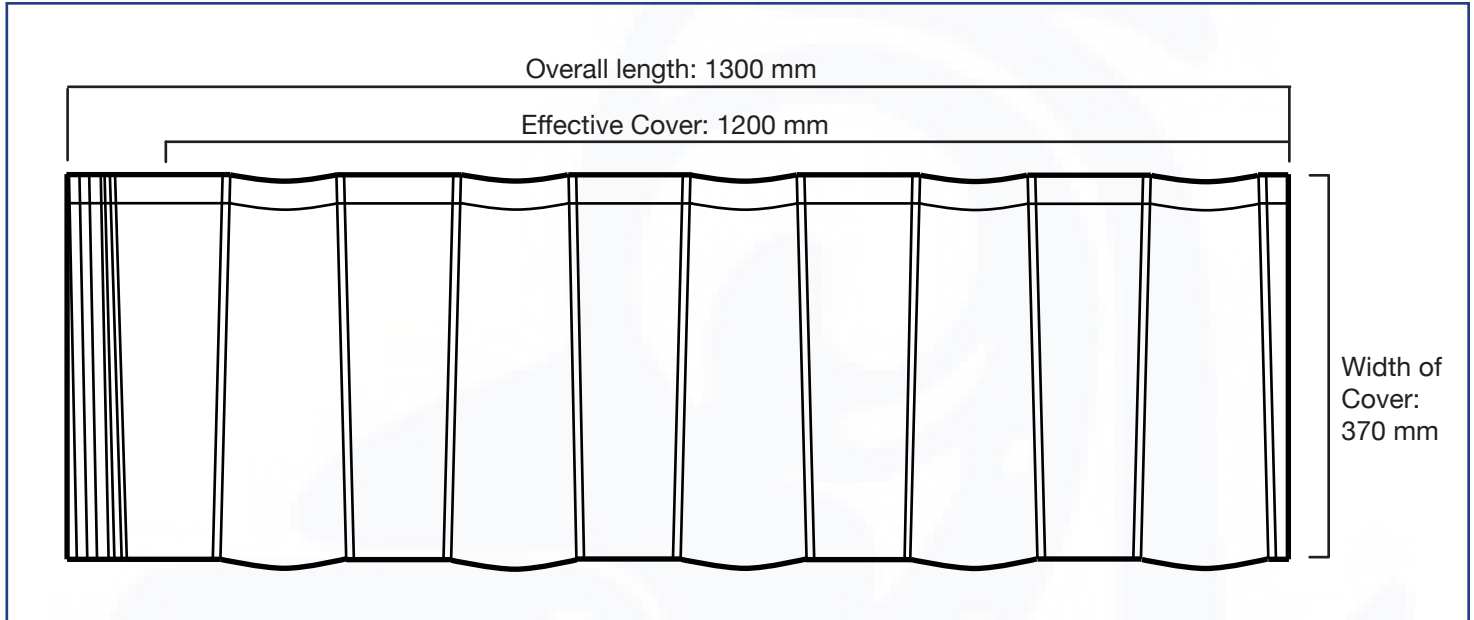
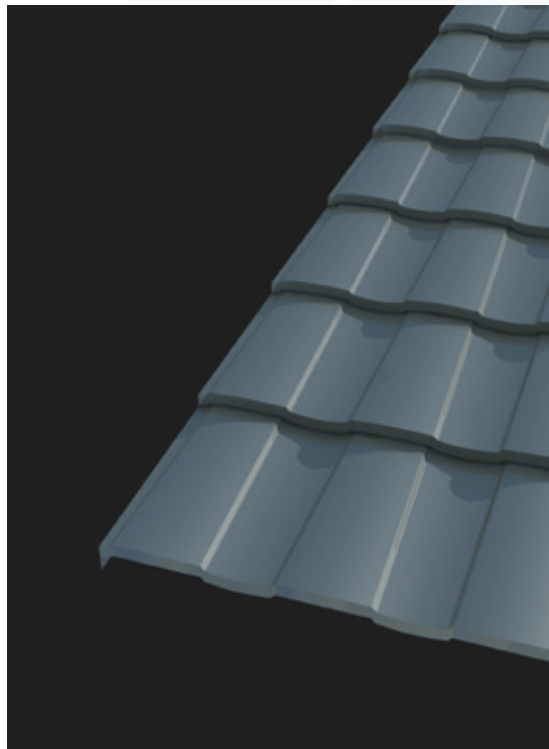


Modena Tile

The Modena Tile is the latest addition to the Metalcraft Metal Tile range. Available in both chip coated or pressed Colorsteel, the flat design of the Modena affords a sophisticated look, with the benefit of durability and weather resistance unique to metal tiles. It is similar in appearance to a heavyweight tile, but eliminates the need and associated extra expense of reinforced trusses.

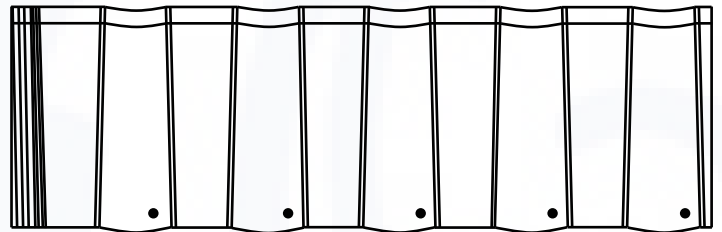


Minimum Pitch: 12.5 degrees Cover: 1200mm

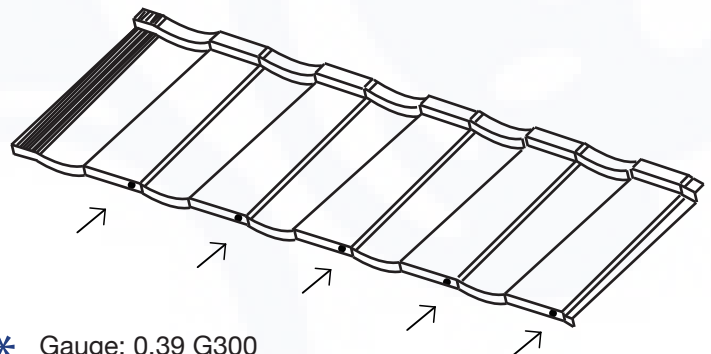


Modena Tile Fixing Details

Bottom Course pattern - 50 x 2.8 coloured with washer seal



Main roof area pattern - 50 x 2.8 Black or Galv nails



- * Gauge: 0.39 G300
- * Tiles /m²: 2.27
- * Available in pre-painted COLORSTEEL® or Chip Coat Finish
- * Weight (painted): 2.1kg (chip coated): 3.3kg