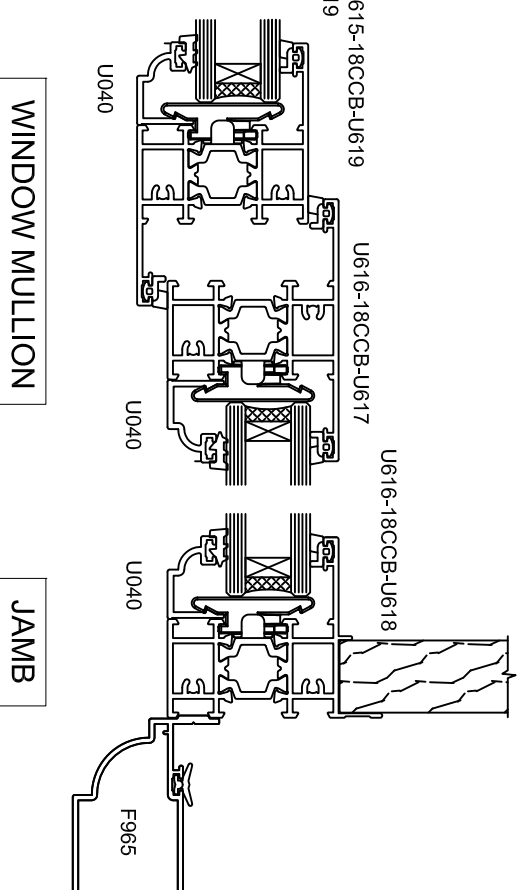
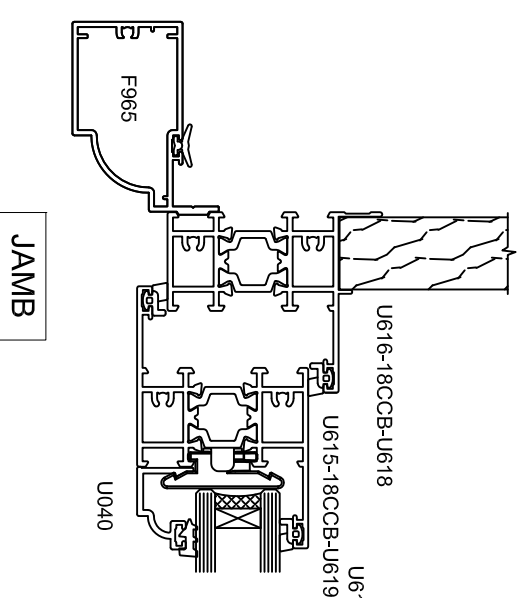
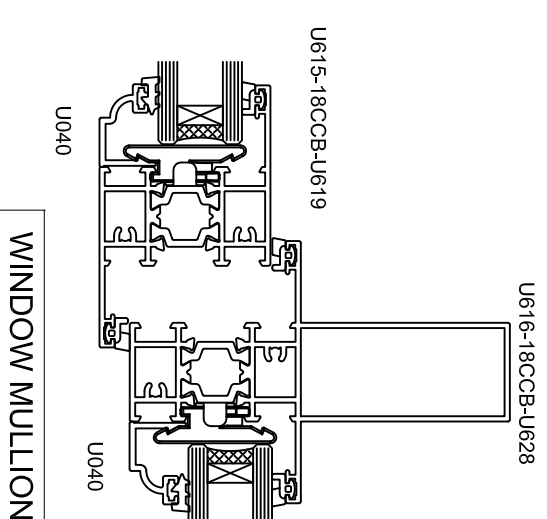
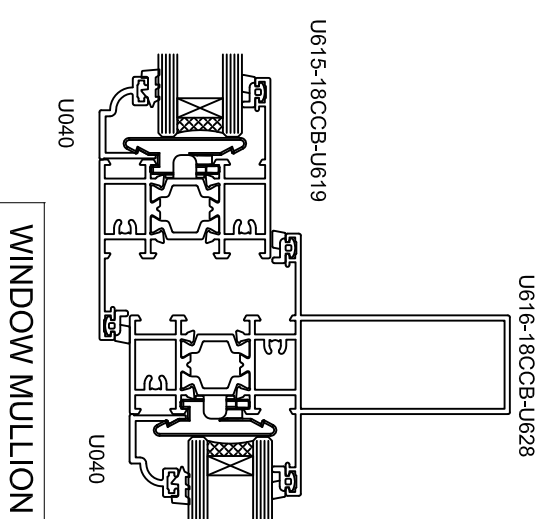
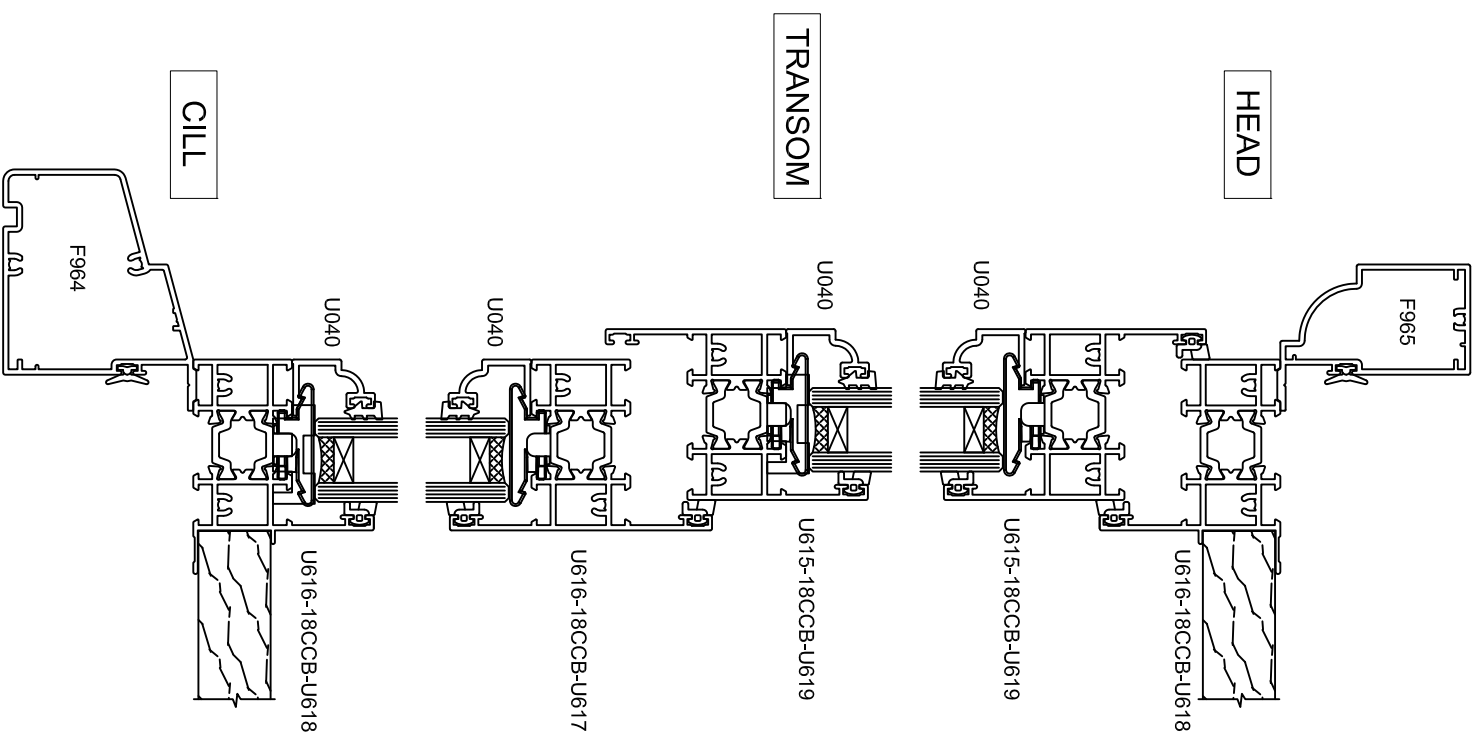


colonial trims



NOTES

F965 - WINDOW FIXED & AWNING

REV	AMENDMENTS	DATE

ALUMINIUM SYSTEMS

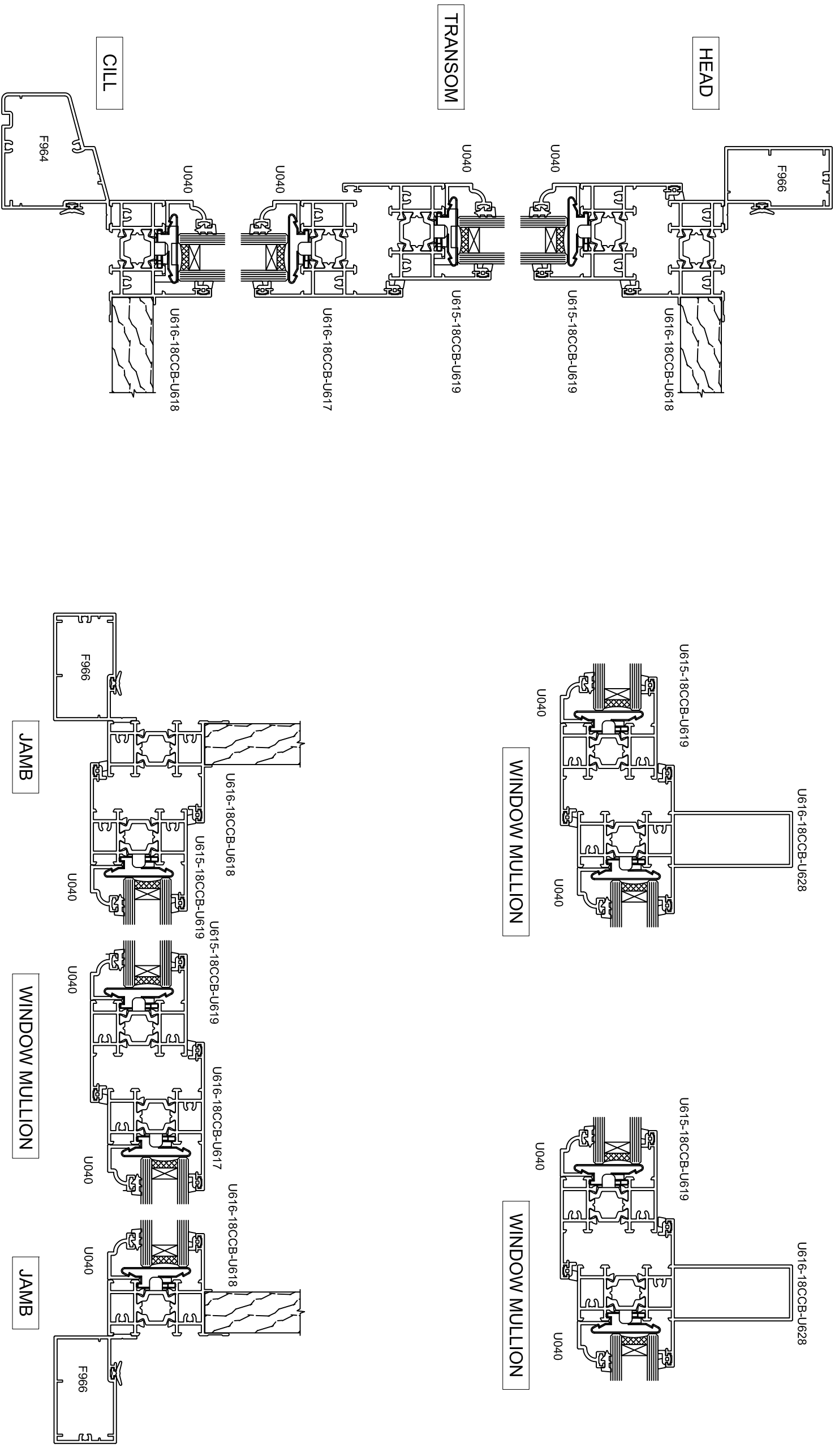
3 Thimau Place, Mt Wellington, Auckland, 1060, NZ
 P.O. Box 51-075, Pukerangi, Auckland, 2140, NZ
 Tel + 0064-9-574-2800 Fax + 0064-9-574-2801



DRAWN BY	SCALE
C.E.G.	1:2
CHECKED BY	DATE
	02.12.10
DRAWING NO.	REVISION
3.100	

THERMACOLOR DESIGNER SERIES

square narrow trims



F966 - WINDOW FIXED & AWNING

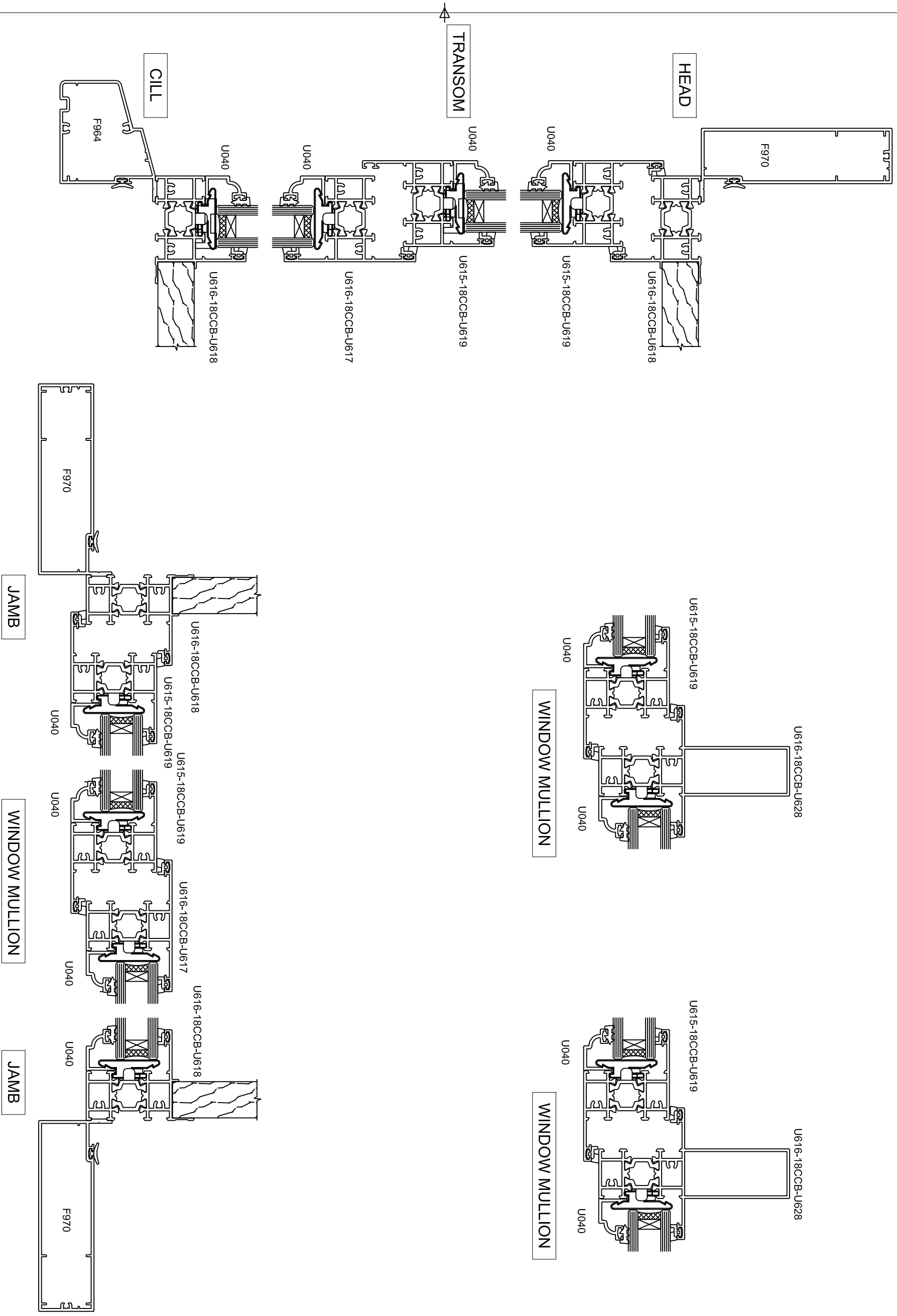
REV.	AMENDMENTS	DATE

ALUMINIUM SYSTEMS
 3 Thimau Place, Mt Wellington, Auckland, 1060, NZ
 P.O. Box 51-075, Pukekohe, Auckland, 2140, NZ
 Tel + 0064-9-574-2800 Fax + 0064-9-574-2801



DRAWN BY	SCALE
CHEGG	1:2
CHECKED BY	DATE
	02.12.10
DRAWING NO.	REVISION
3.101	

square wide trims



F970 - WINDOW FIXED & AWNING

NOTES

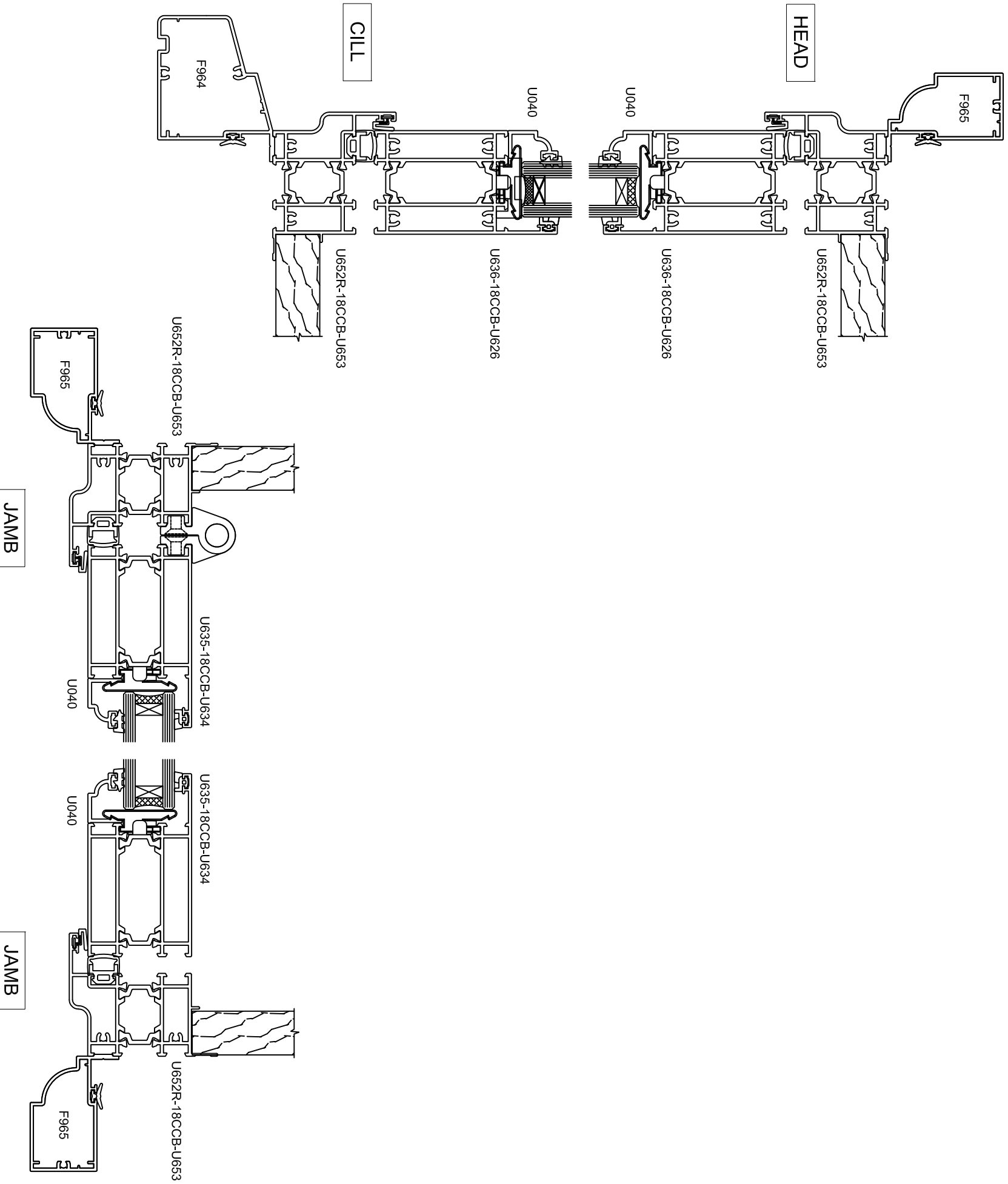
REV	AMENDMENTS	DATE

ALUMINIUM SYSTEMS

3 Tinsau Place, Mt Wellington, Auckland, 1060, NZ
 P.O. Box 51-075, Pukekohe, Auckland, 2140, NZ
 Tel + 0064-9-574-2800 Fax + 0064-9-574-2801



DRAWN BY	SCALE
C/EG	1:2
CHECKED BY	DATE
	02.12.10
DRAWING NO.	REVISION
3.102	



INTERNAL OPENING DOOR

HINGED DOOR

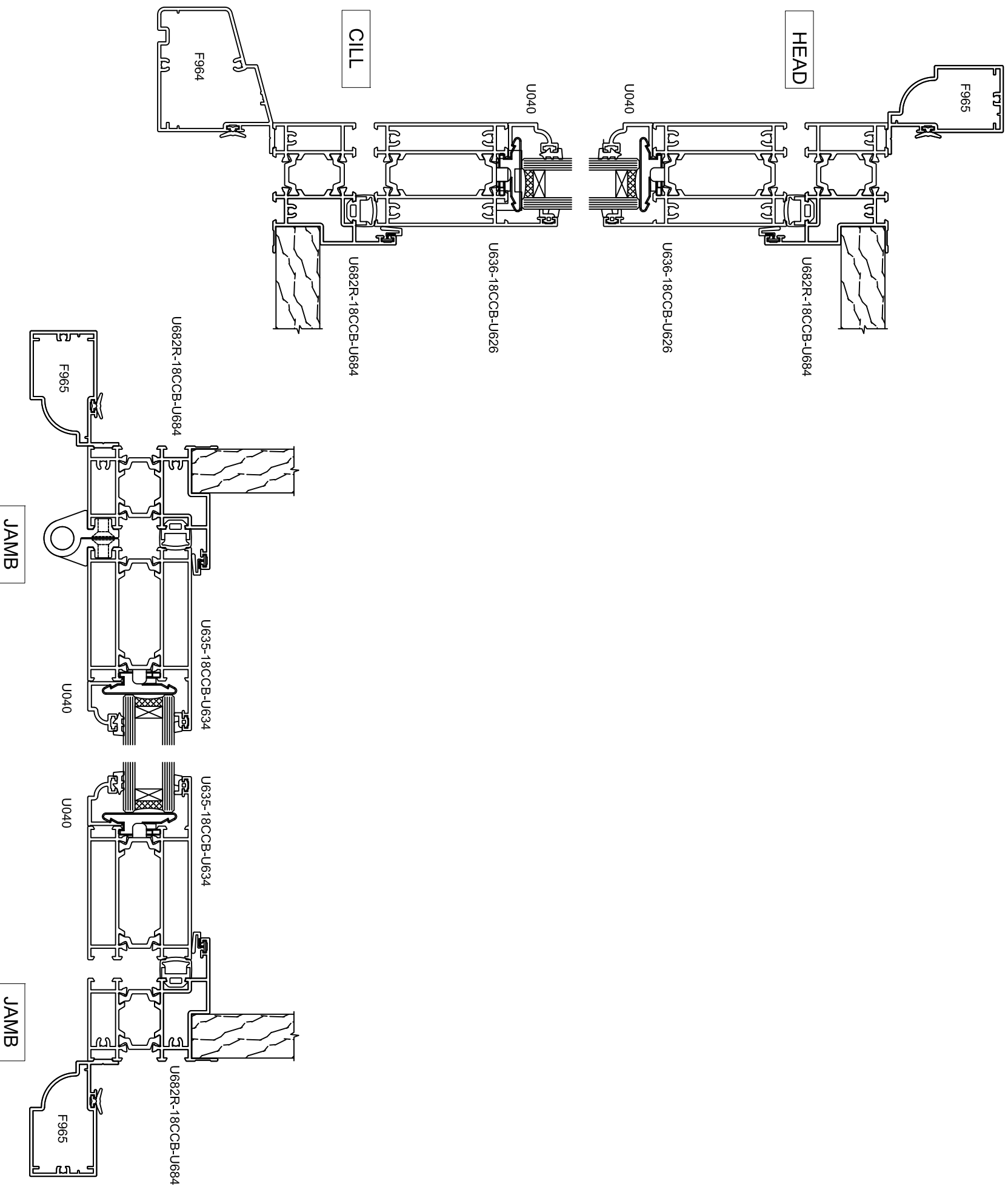
REV/	AMENDMENTS	DATE

ALUMINIUM
SYSTEMS

3 Tinsau Place, Mt Wellington, Auckland, 1060, NZ
P.O. Box 51-075, Pukekohe, Auckland, 2140, NZ
Tel + 0064-9-574-2800 Fax + 0064-9-574-2801



DRAWN BY	SCALE
C.E.G.	1:2
CHECKED BY	DATE
	02.12.10
DRAWING No.	REVISION
3.200	



EXTERNAL OPENING DOOR

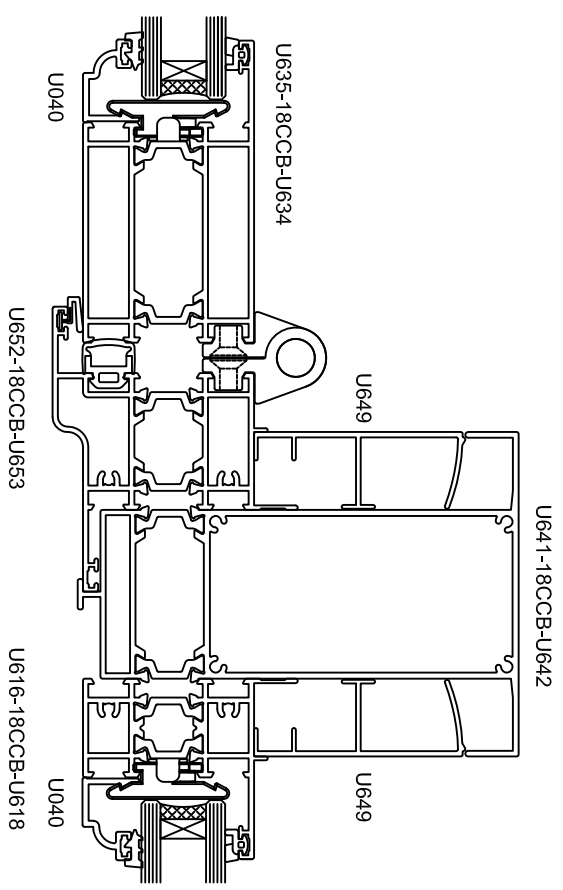
HINGED DOOR

REV/	AMENDMENTS	DATE

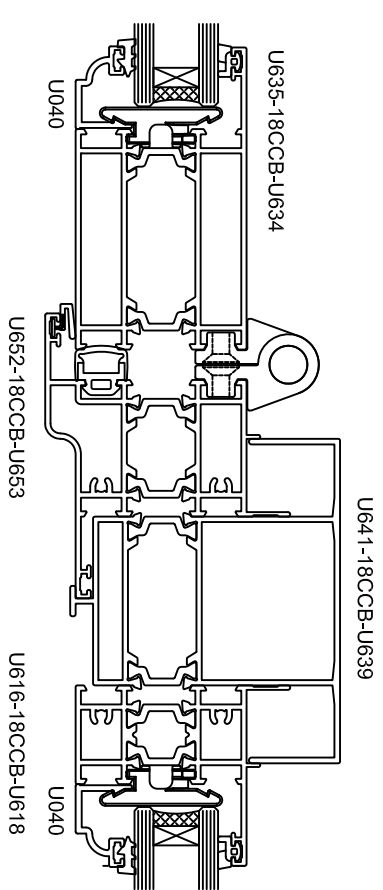
ALUMINIUM BYSTEMS
 3 Thimau Place, Mt Wellington, Auckland, 1060, NZ
 P.O. Box 51-075, Pukekohe, Auckland, 2140, NZ
 Tel + 0064-9-574-2800 Fax + 0064-9-574-2801



DRAWN BY	SCALE
C.E.G.	1:2
CHECKED BY	DATE
	02.12.10
DRAWING No.	REVISION
3.201	

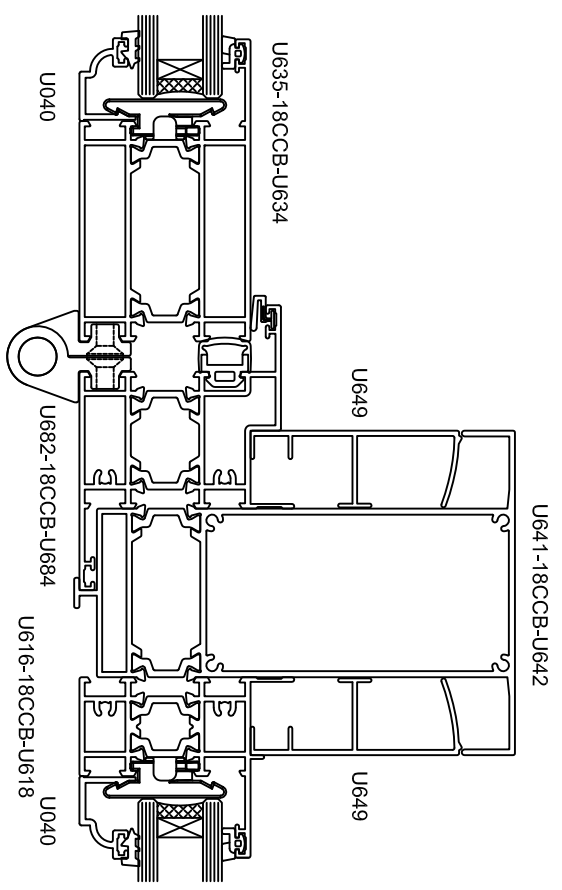


HINGE MULLION

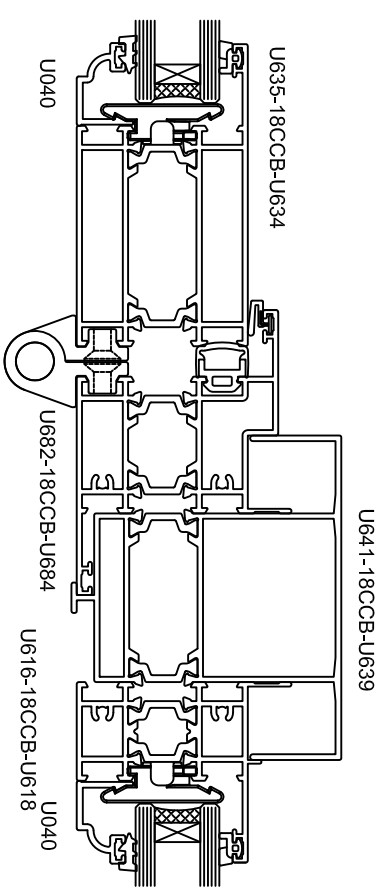


HINGE MULLION

INTERNAL OPENING DOOR




HINGE MULLION

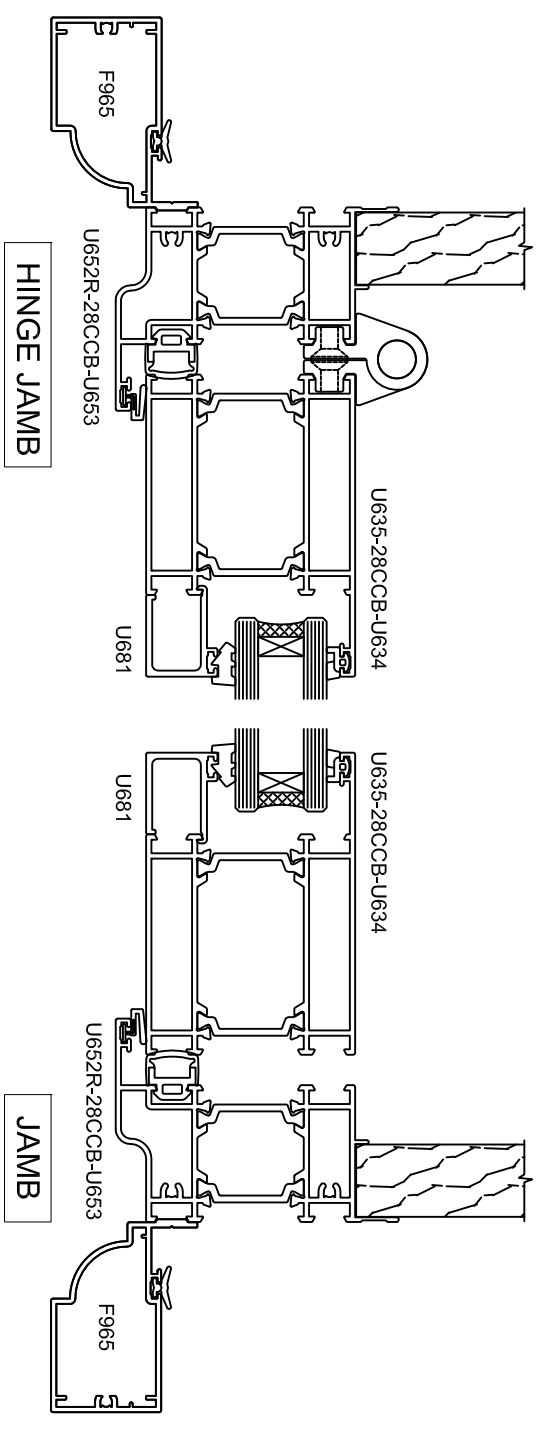
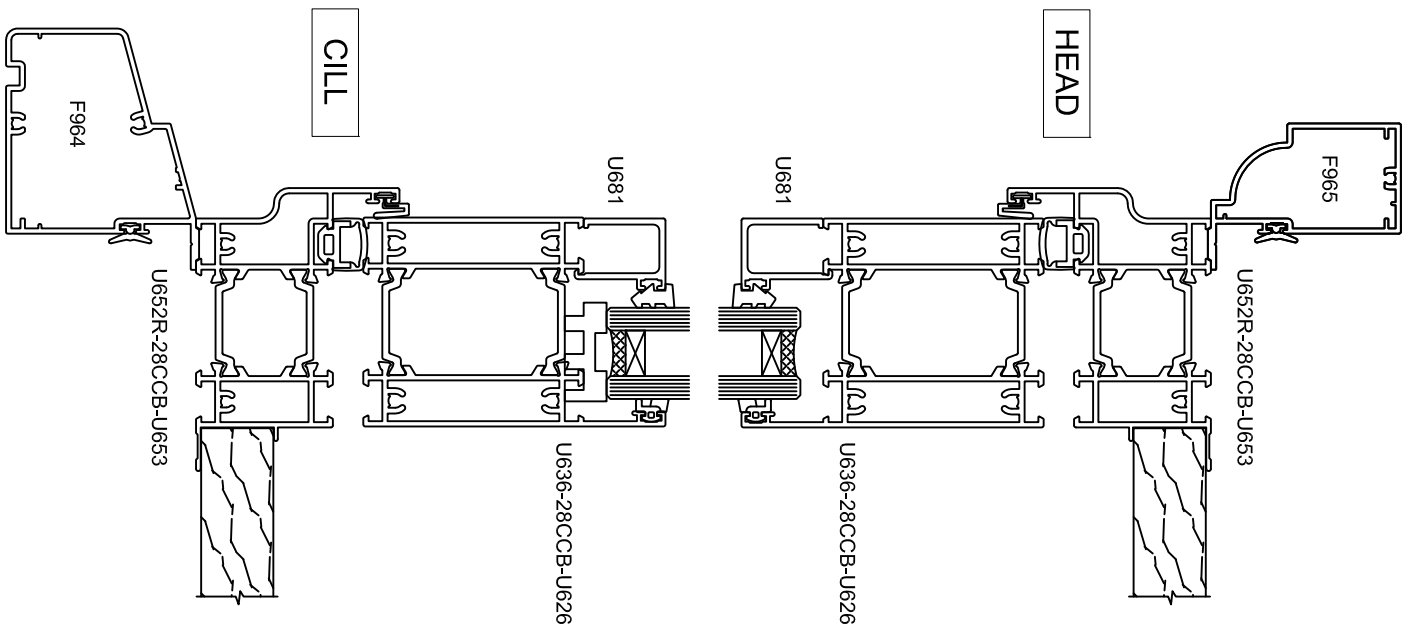


HINGE MULLION

EXTERNAL OPENING DOOR



HINGED DOOR-MULLION

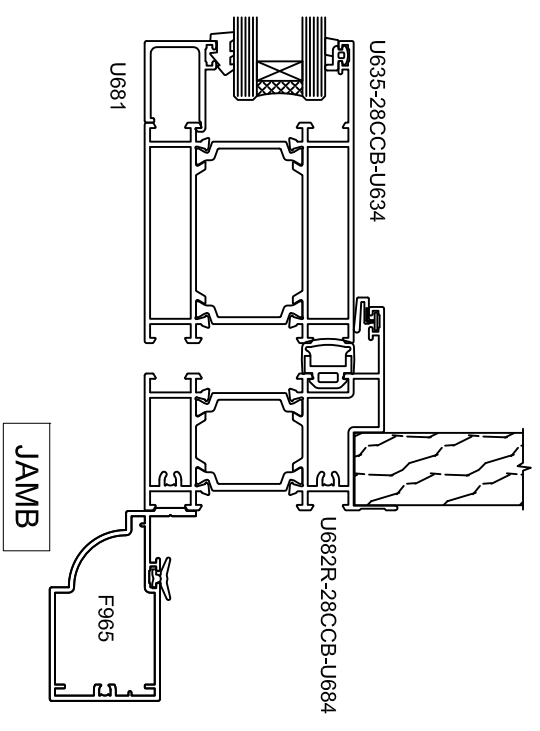
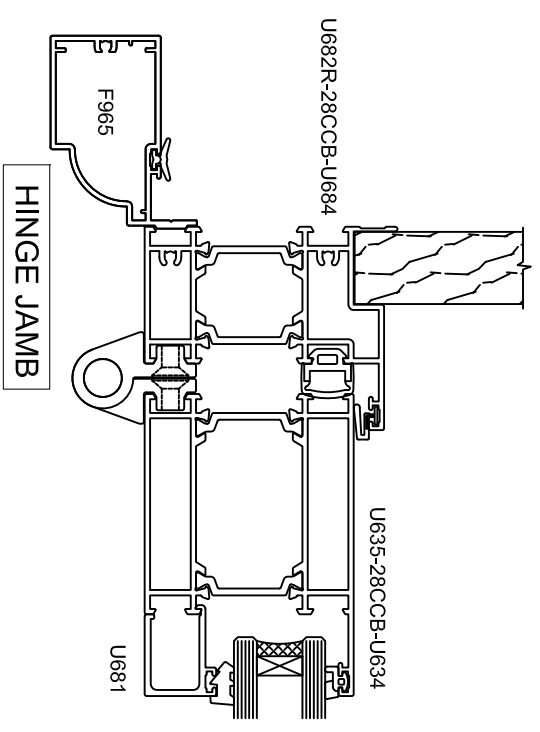
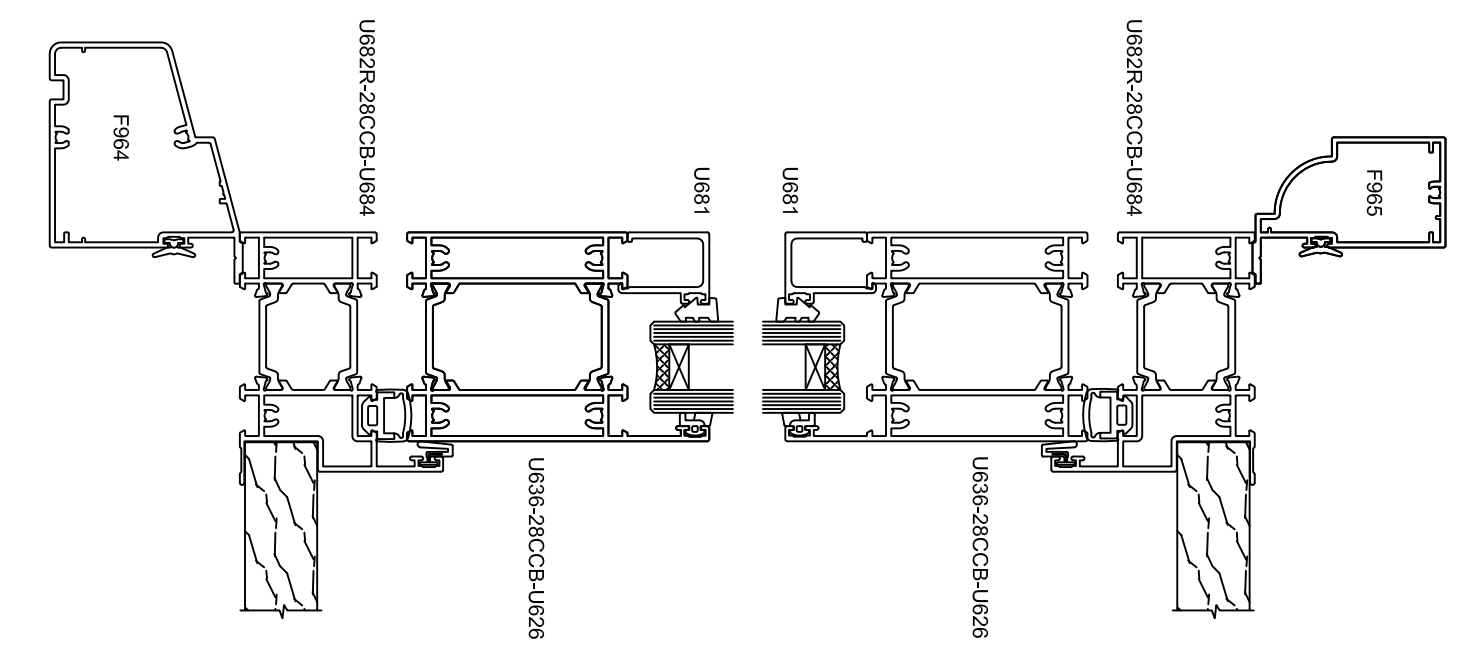
 <p>ALUMINIUM SYSTEMS 3 Tinsui Place, Mt Wellington, Auckland, 1060, NZ P.O. Box 51-075, Pukekohe, Auckland, 2140, NZ Tel + 0064-9-574-2800 Fax + 0064-9-574-2801</p>		<p>MEMBER NEW ZEALAND ALUMINIUM ASSOCIATION</p>
<p>DRAWN BY CEG</p>	<p>SCALE 1:2</p>	<p>DATE 02.12.10</p>
<p>CHECKED BY</p>	<p>DATE</p>	
<p>DRAWING No. 3.203</p>	<p>REVISION</p>	
<p>REV/ AMENDMENTS</p>		<p>DATE</p>
<p>THERMACOLOR DESIGNER SERIES</p>		



INTERNAL OPENING DOOR

HINGED DOOR - 55mm SERIES

 <p>ALUMINIUM BYSTEMS</p> <p>3 Tinsau Place, Mt Wellington, Auckland, 1060, NZ P.O. Box 51-075, Pukerangā, Auckland, 2140, NZ Tel + 0064-9-574-2800 Fax + 0064-9-574-2801</p>		<p>MEMBER</p> 
<p>DRAWN BY: OEG</p> <p>CHECKED BY:</p> <p>DRAWING No. 3.204</p>	<p>SCALE: 1:2</p> <p>DATE: 02.12.10</p> <p>REVISION:</p>	<p>REV/ AMENDMENTS</p> <p>DATE</p>

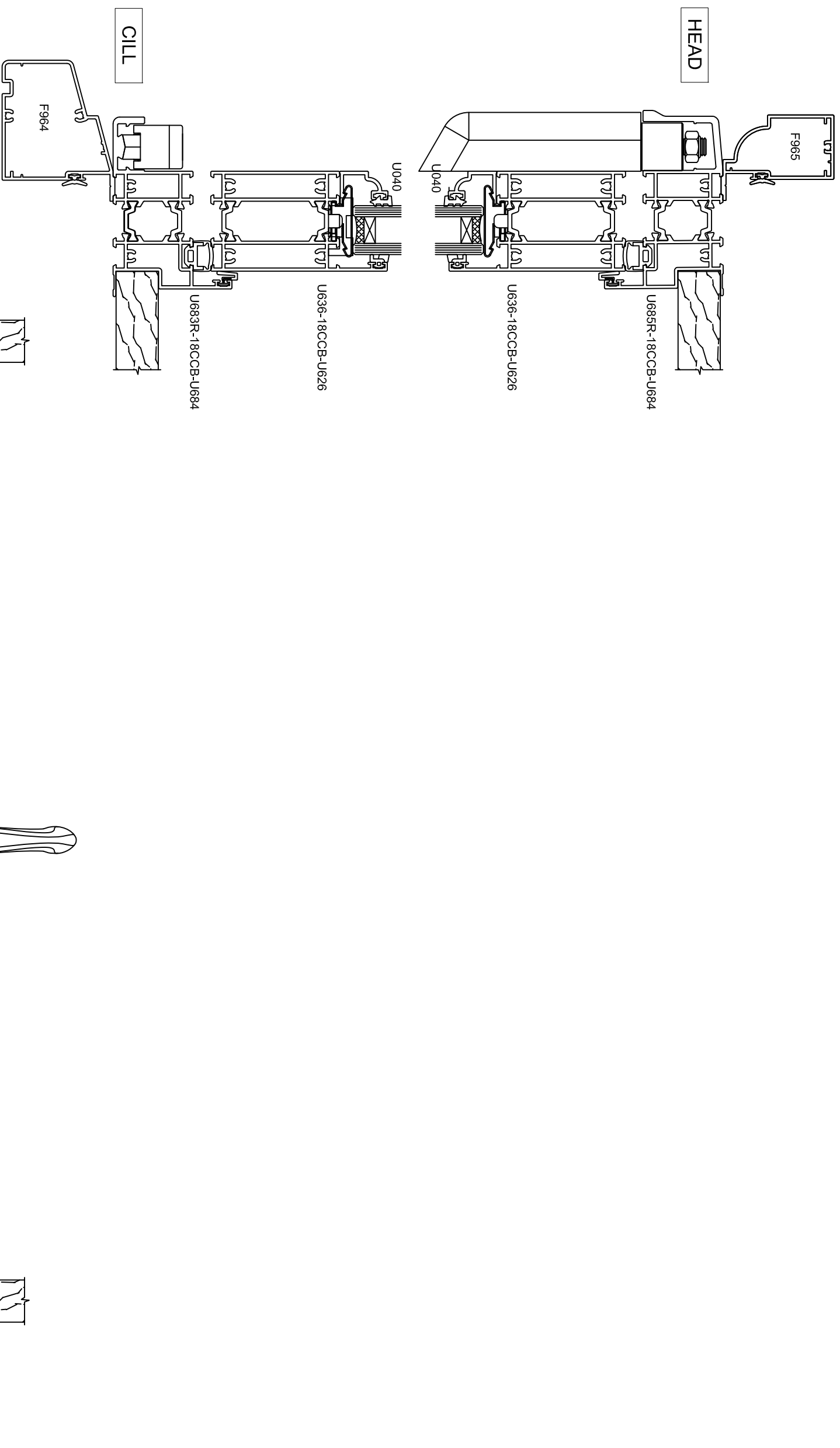


EXTERNAL OPENING DOOR

HINGED DOOR - 55mm SERIES

<p>ALUMINIUM SYSTEMS</p> <p>3 Thimau Place, Mt Wellington, Auckland, 1060, NZ P.O. Box 51-075, Pukerangā, Auckland, 2140, NZ Tel + 0064-9-574-2800 Fax + 0064-9-574-2801</p>		<p>MEMBER</p>
<p>DATE: 02.12.10</p> <p>REVISION: 3.205</p>	<p>SCALE: 1:2</p> <p>DATE: 02.12.10</p> <p>REVISION: 3.205</p>	<p>DATE: 02.12.10</p> <p>REVISION: 3.205</p>

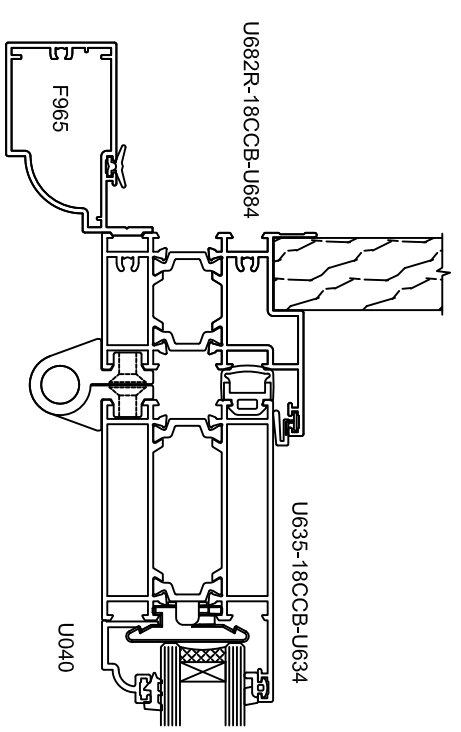
THERMACOLOR DESIGNER SERIES



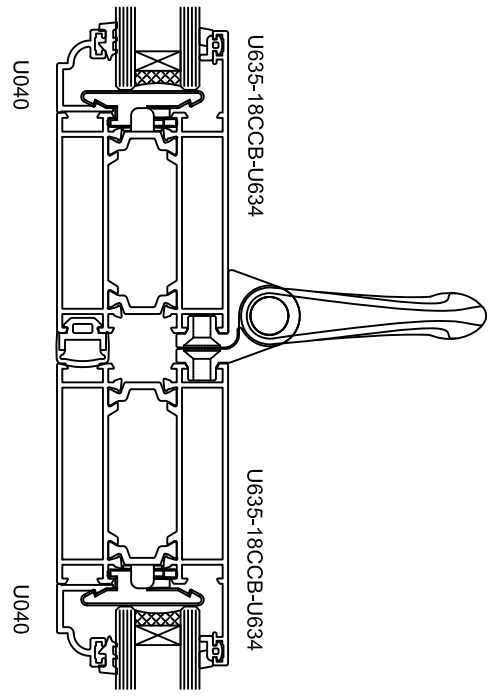
BI-FOLD DOOR

<p>ALUMINIUM SYSTEMS 3 Timaru Place, Mt Wellington, Auckland, 1060, NZ P.O. Box 51-075, Pukerangā, Auckland, 2140, NZ Tel + 0064-9-574-2800 Fax + 0064-9-574-2801</p>		<p>REVISIONS</p> <table border="1"> <tr> <th>REV</th> <th>AMENDMENTS</th> <th>DATE</th> </tr> <tr> <td> </td> <td> </td> <td> </td> </tr> </table>	REV	AMENDMENTS	DATE			
REV	AMENDMENTS	DATE						
<p>DRAWN BY: CEG</p> <p>CHECKED BY: [Signature]</p> <p>DRAWING No. 3.300</p>	<p>SCALE: 1:2</p> <p>DATE: 02.12.10</p> <p>REVISION: [Signature]</p>	<p>DATE: [Signature]</p>						

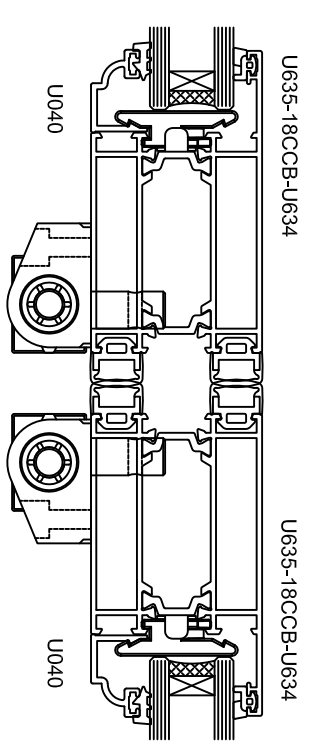
THERMACOLOR DESIGNER SERIES



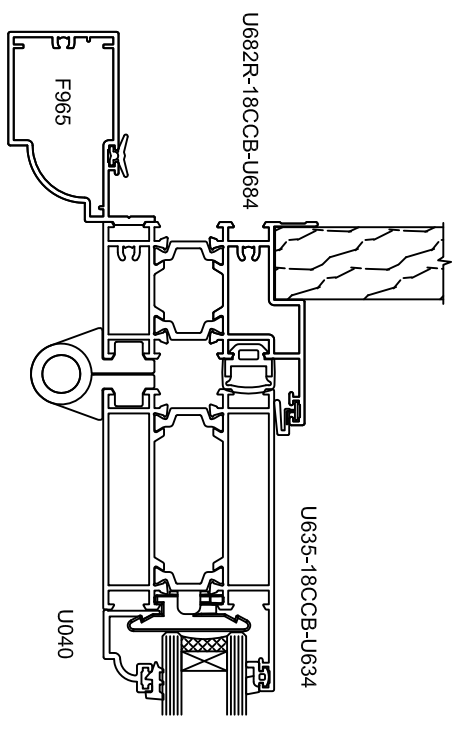
HINGE JAMB



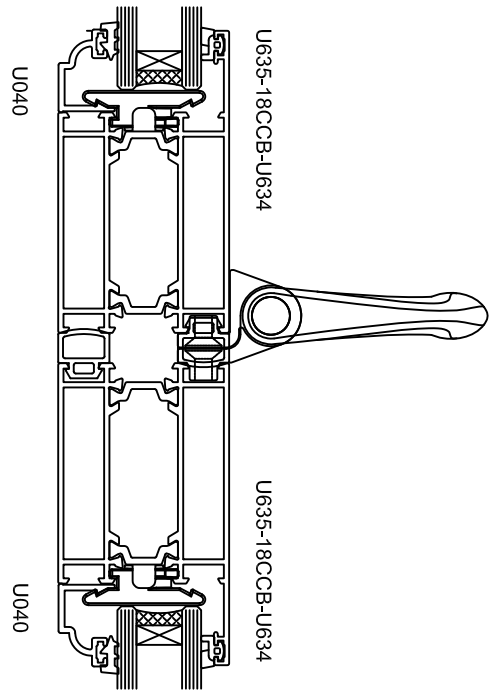
HINGE STYLE



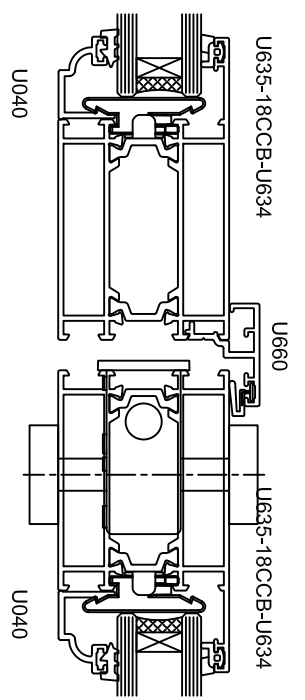
LOCK STYLE



HINGE JAMB



HINGE STYLE



LOCK STYLE

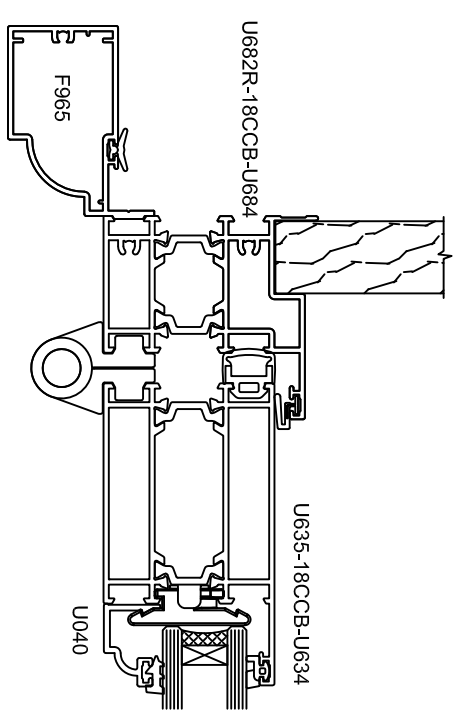
BI-FOLD DOOR

REV/	AMENDMENTS	DATE

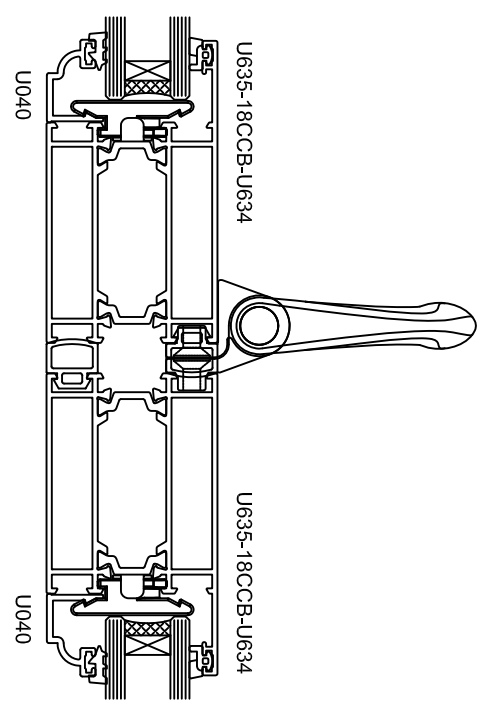
ALUMINIUM BYSTEMS
 3 Thimau Place, Mt Wellington, Auckland, 1060, NZ
 P.O. Box 51-075, Pukerangā, Auckland, 2140, NZ
 Tel + 0064-9-574-2800 Fax + 0064-9-574-2801



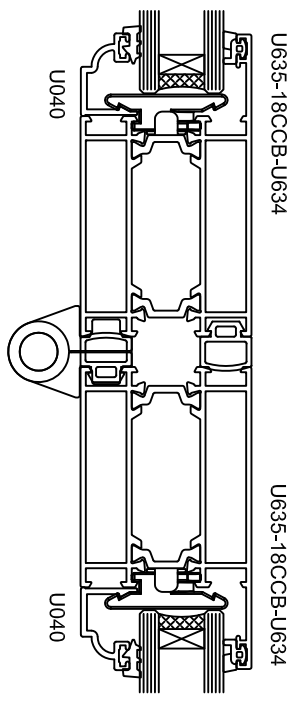
DRAWN BY	SCALE
C.E.G.	1:2
CHECKED BY	DATE
	02.12.10
DRAWING No.	REVISION
3.301	



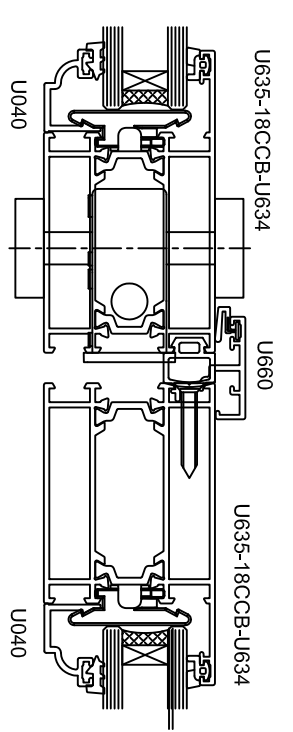
HINGE JAMB



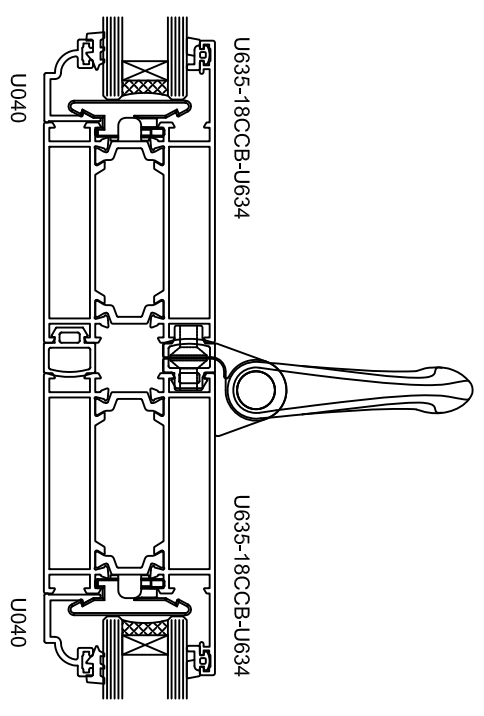
HINGE STYLE



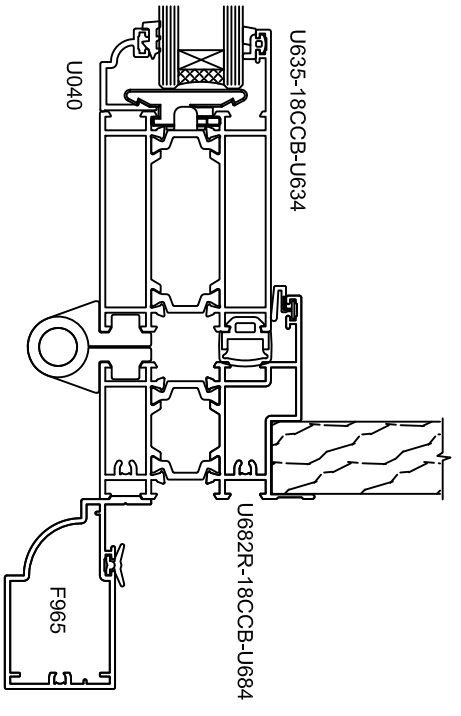
HINGE STYLE



LOCK STYLE



HINGE STYLE



HINGE JAMB

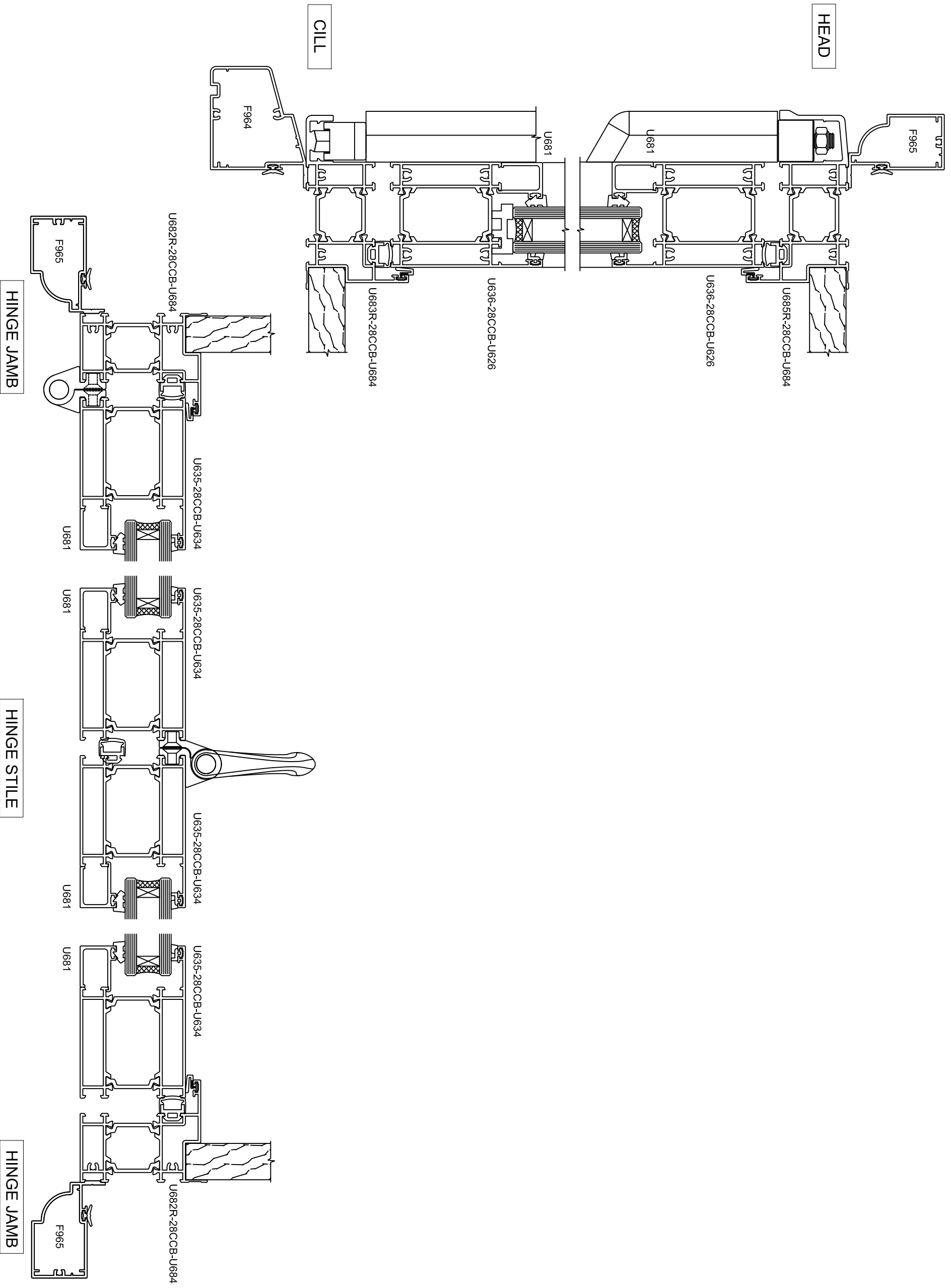
BI-FOLD DOOR



ALUMINIUM SYSTEMS
 3 Thimau Place, Mt Wellington, Auckland, 1060, NZ
 P.O. Box 51-075, Pukerangā, Auckland, 2140, NZ
 Tel + 0064-9-574-2800 Fax + 0064-9-574-2801

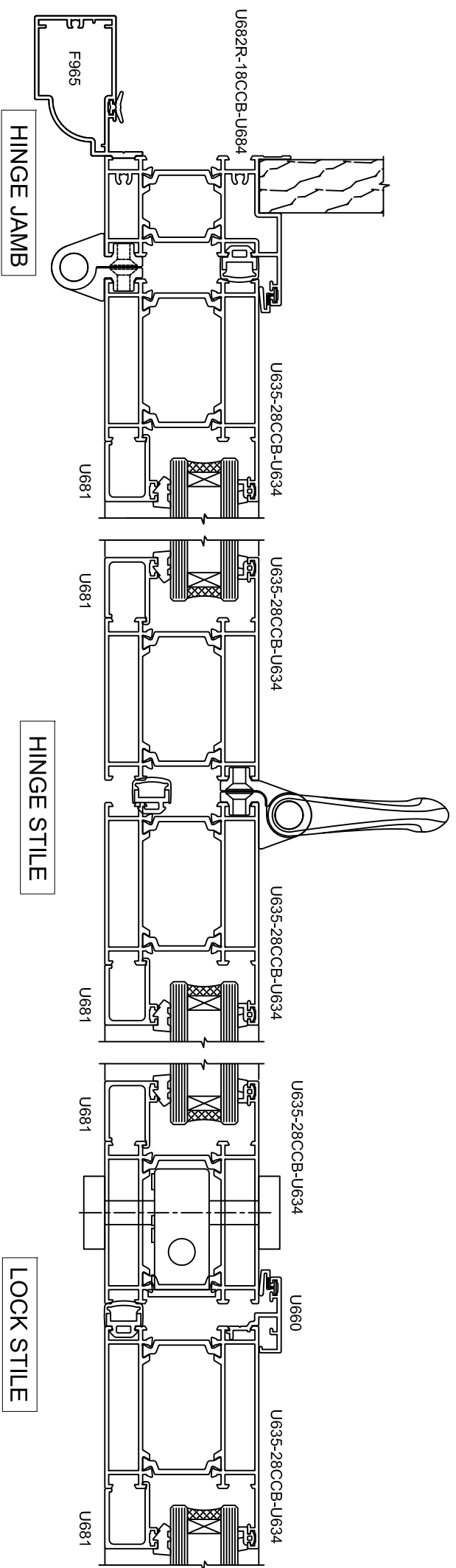
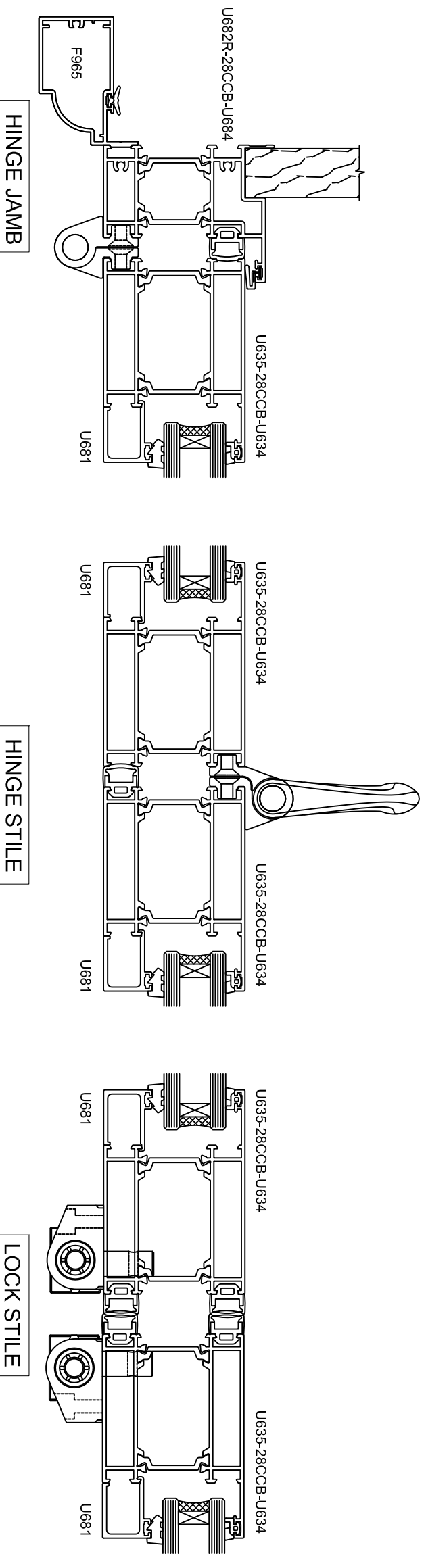


DRAWN BY	SCALE
C.E.G	1:2
CHECKED BY	DATE
	02.12.10
DRAWING NO.	REVISION
3.302	



BI-FOLD DOOR 55mm SERIES

<p>ALUMINIUM SYSTEMS 3 Timaru Place, Mt Wellington, Auckland, 1060, NZ P.O. Box 51-075, Pukekohe, Auckland, 2140, NZ Tel + 0064-9-574-2800 Fax + 0064-9-574-2801</p>		<p>MEMBER </p>
<p>DRAWN BY: OEG CHECKED BY: DATE: 02.12.10 DRAWING NO: 3.303</p>	<p>SCALE: 1:2 DATE: 02.12.10 REVISION:</p>	<p>REV/ AMENDMENTS DATE</p>
<p>THERMACOLOR DESIGNER SERIES</p>		



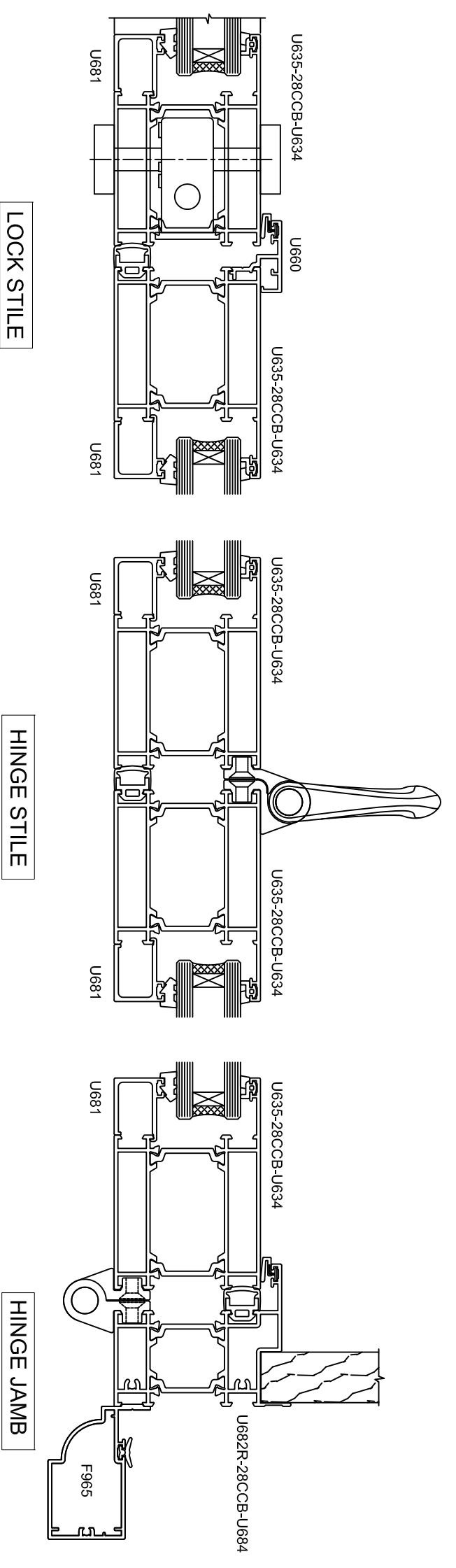
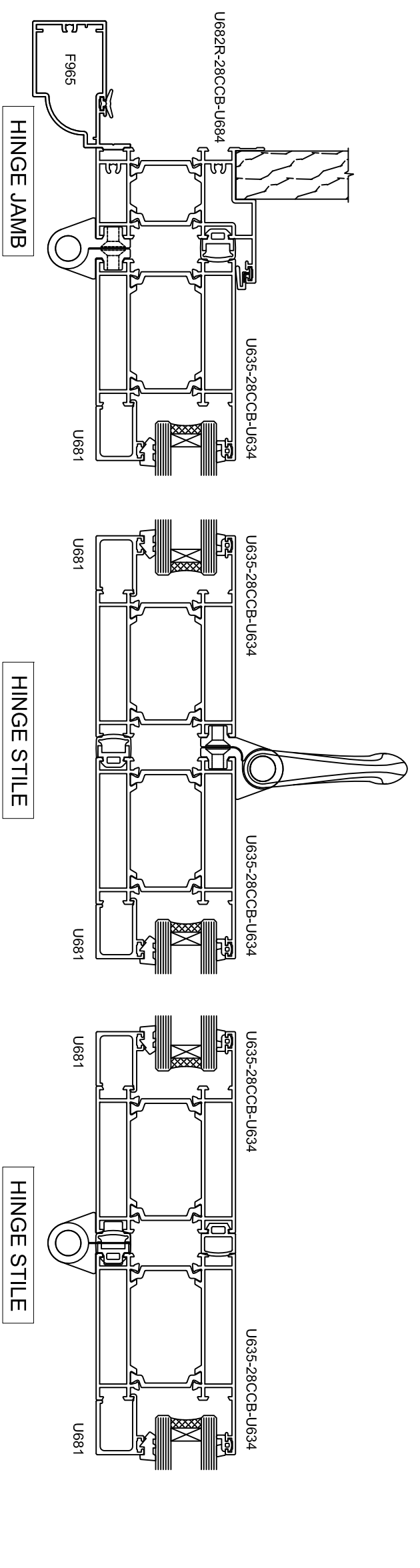
BI-FOLD DOOR 55mm SERIES

REV/	AMENDMENTS	DATE

ALUMINIUM SYSTEMS
 3 Timaru Place, Mt Wellington, Auckland, 1060, NZ
 P.O. Box 51-075, Pukerangā, Auckland, 2140, NZ
 Tel + 0064-9-574-2800 Fax + 0064-9-574-2801



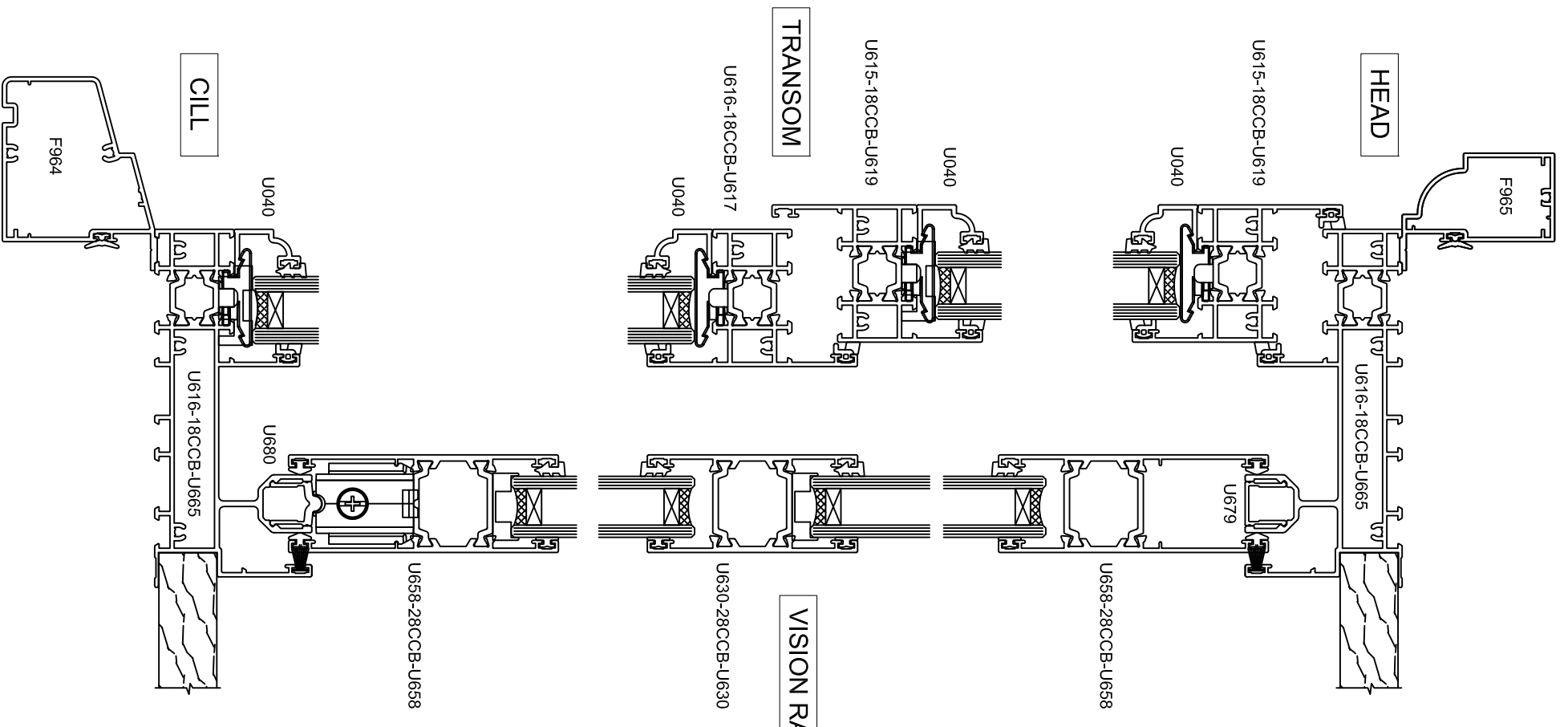
DRAWN BY	SCALE
C/EG	1:2
CHECKED BY	DATE
	02.12.10
DRAWING NO.	REVISION
3.304	





BI-FOLD DOOR 55mm SERIES

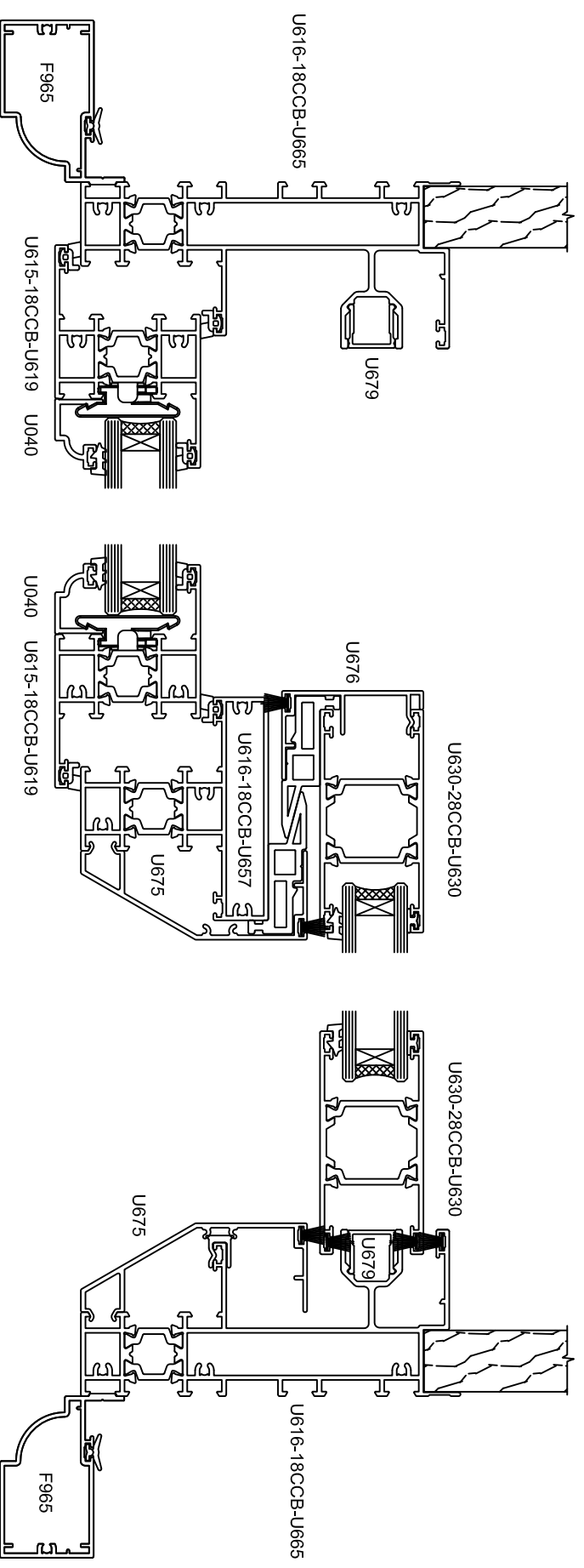
ALUMINIUM BYSTEMS
 3 Thimau Place, Mt Wellington, Auckland, 1060, NZ
 P.O. Box 51-075, Pukekohe, Auckland, 2140, NZ
 Tel + 0064-9-574-2800 Fax + 0064-9-574-2801

DRAWN BY	SCALE
CEG	1:2
CHECKED BY	DATE
	02.12.10
DRAWING NO.	REVISION
3.305	



SLIDER DOOR

 <p>ALUMINIUM SYSTEMS 3 Timaru Place, Mt Wellington, Auckland, 1060, NZ P.O. Box 51-075, Fokunanga, Auckland, 2140, NZ Tel + 0064-9-574-2800 Fax + 0064-9-574-2801</p>		<p>MEMBER </p>
<p>DRAWN BY: OEG CHECKED BY: DATE: 02.12.10 DRAWING No: 3400</p>	<p>SCALE: 1:2</p>	<p>DATE: 02.12.10</p>
<p>THERMACOLOR DESIGNER SERIES</p>		
<p>REV / AMENDMENTS</p>	<p>DATE</p>	<p>DATE</p>



JAMB

INTERLOCK MULLION

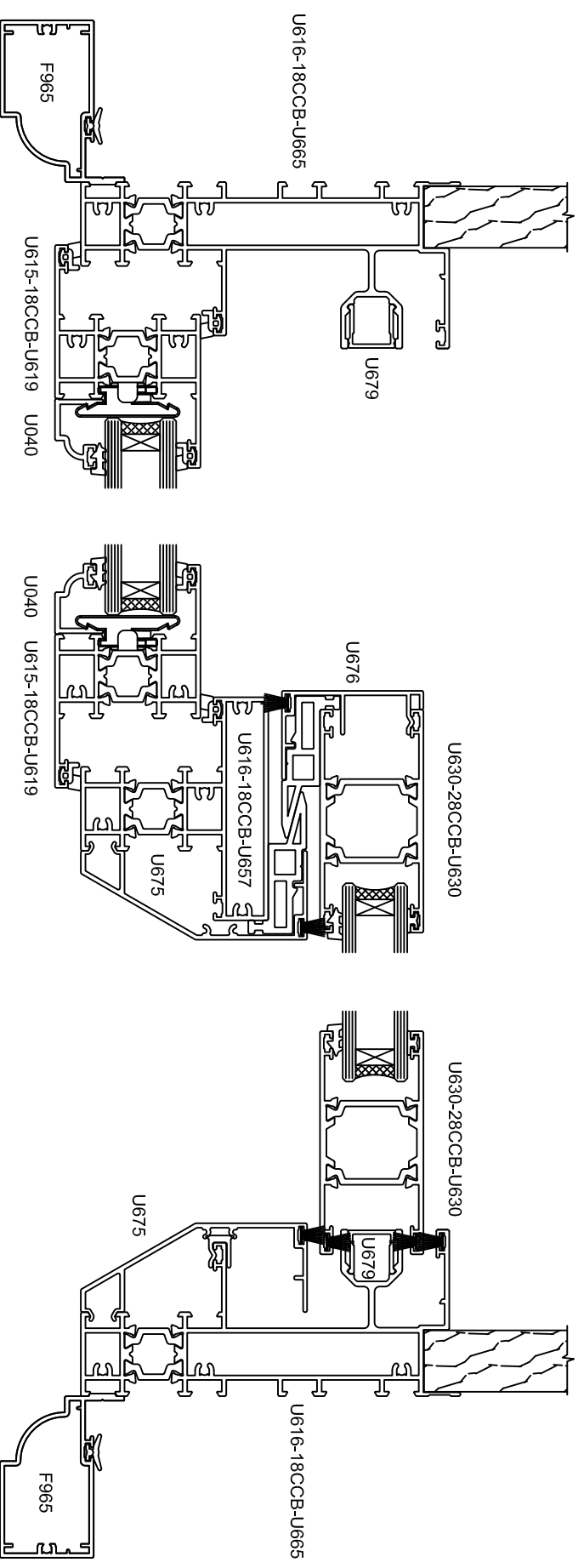
JAMB

ALUMINIUM SYSTEMS

3 Timaui Place, Mt Wellington, Auckland, 1060, NZ
 P.O. Box 51-075, Pukerangā, Auckland, 2140, NZ
 Tel + 0064-9-574-2800 Fax + 0064-9-574-2801



DRAWN BY	SCALE
CJEG	1:2
CHECKED BY	DATE
	02.12.10
DRAWING No.	REVISION
3401	



JAMB

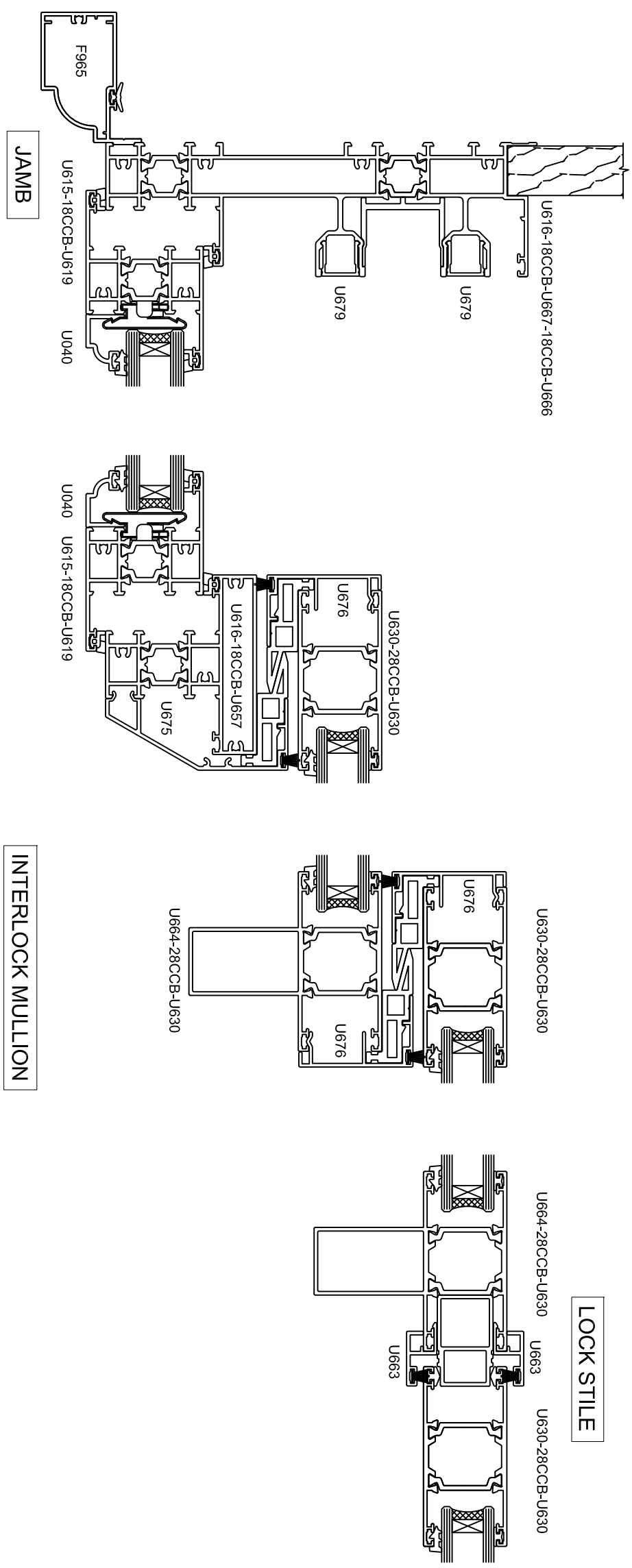
INTERLOCK MULLION

JAMB

ALUMINIUM BYSTEMS
 3 Thimau Place, Mt Wellington, Auckland, 1060, NZ
 P.O. Box 51-075, Pukerangā, Auckland, 2140, NZ
 Tel + 0064-9-574-2800 Fax + 0064-9-574-2801



DRAWN BY	SCALE
CHEG	1:2
CHECKED BY	DATE
02.12.10	
DRAWING NO.	REVISION
3.402	



STACKER DOOR - MULTIPLE PANEL

<p>ALUMINIUM SYSTEMS 3 Thimau Place, Mt Wellington, Auckland, 1060, NZ P.O. Box 51-075, Pukerangā, Auckland, 2140, NZ Tel + 0064-9-574-2800 Fax + 0064-9-574-2801</p>	
<p>MEMBER </p>	<p>DATE: 02.12.10</p>
<p>SCALE: 1:2</p>	<p>CHECKED BY: OEG</p>
<p>DATE: 02.12.10</p>	<p>DRAWING NO: 3.501</p>
<p>REVISIONS</p>	
<p>REV: AMENDMENTS</p>	<p>DATE:</p>