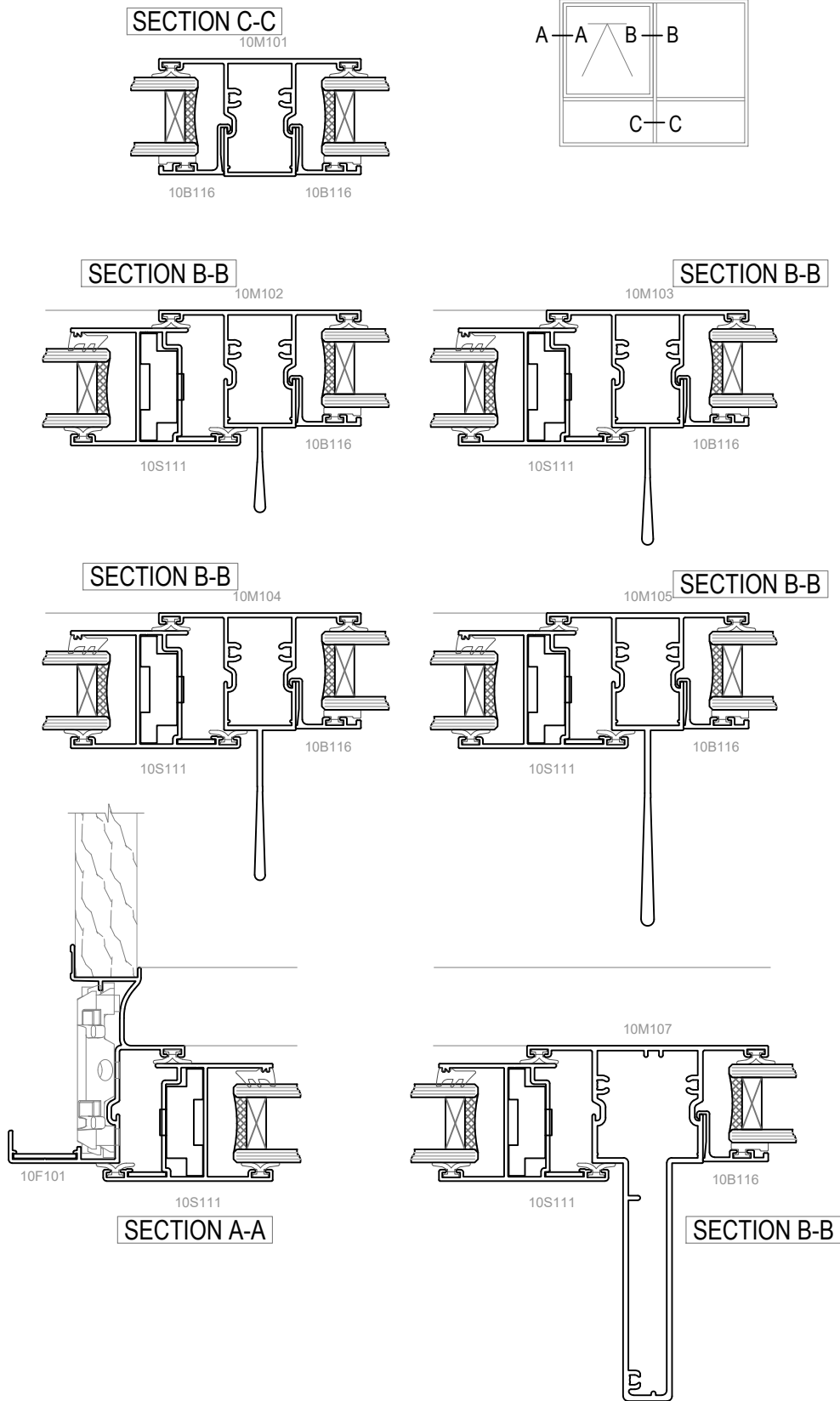


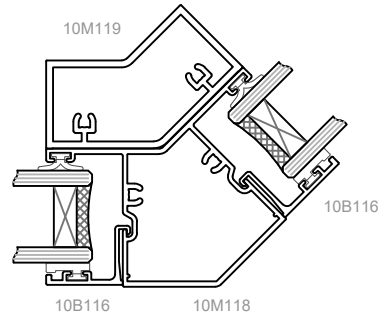
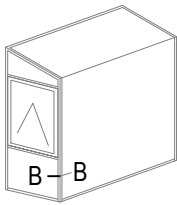
SECTION A-A

SECTION B-B

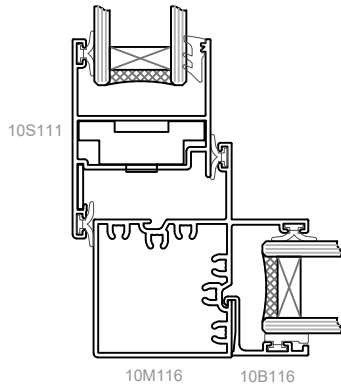
AWNING / CASEMENT WINDOW - STANDARD FRAME



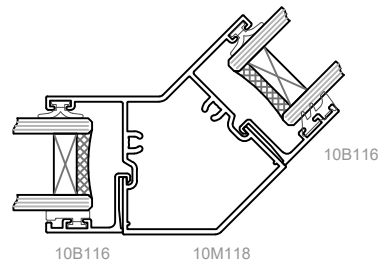
AWNING / CASEMENT WINDOW - STANDARD FRAME



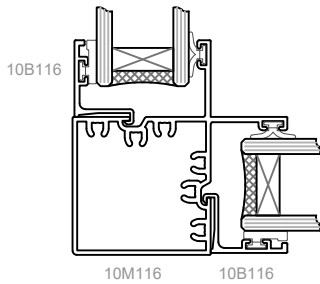
SECTION C-C



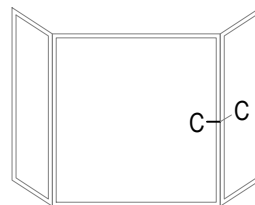
SECTION B-B



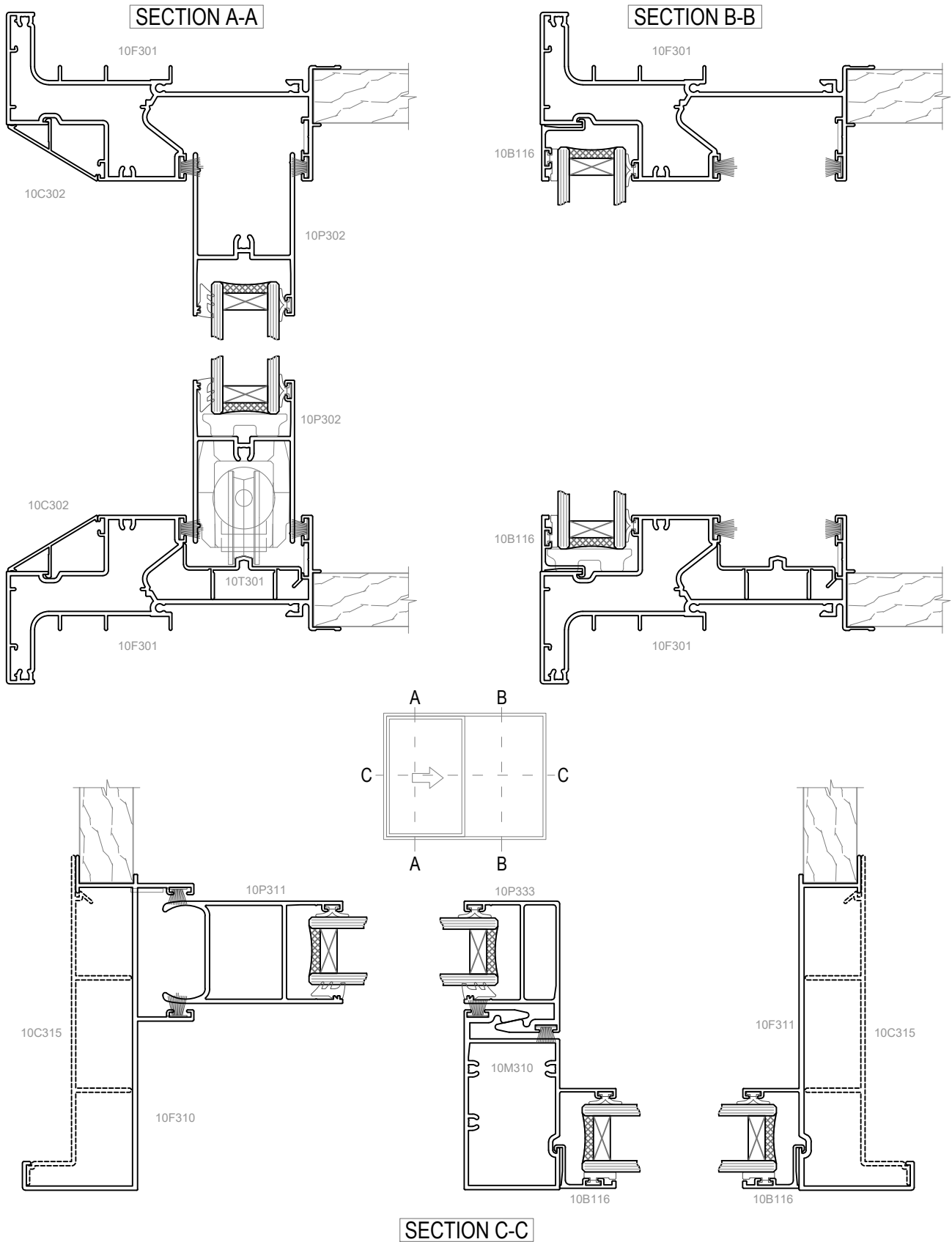
SECTION C-C



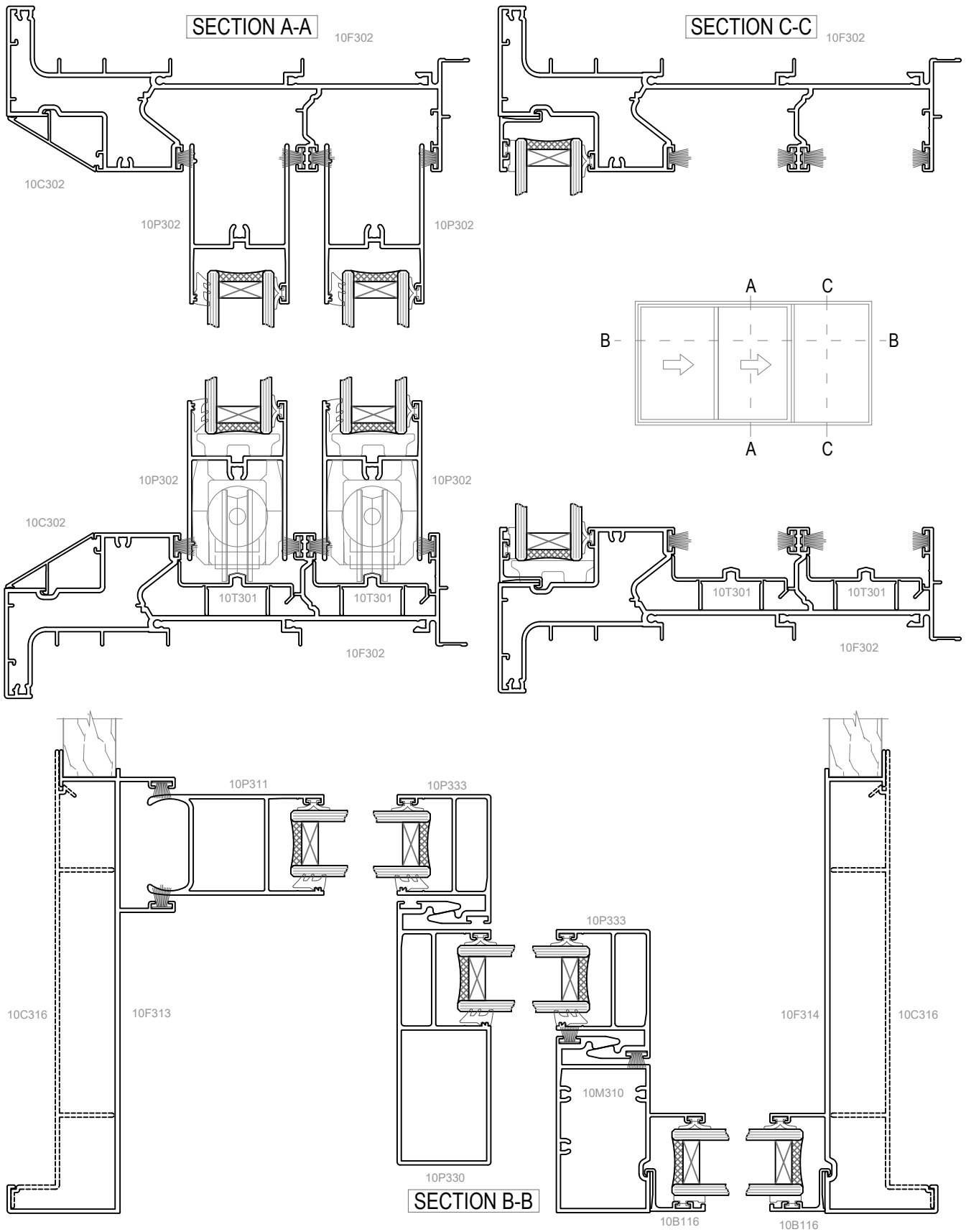
SECTION B-B



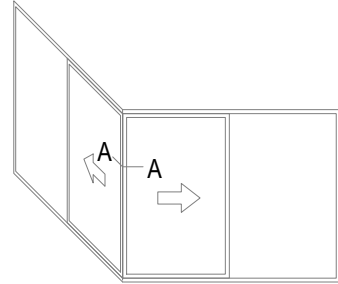
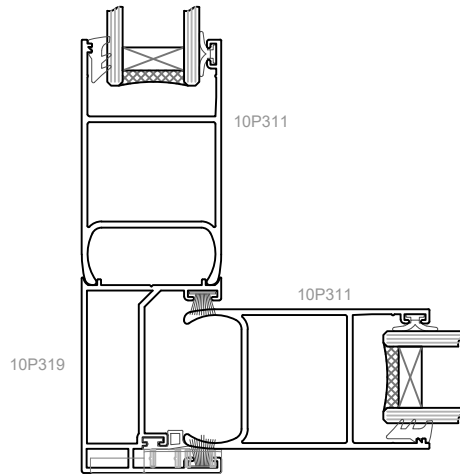
AWNING / CASEMENT WINDOW - STANDARD FRAME



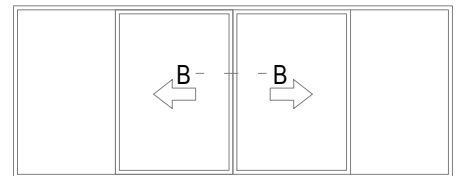
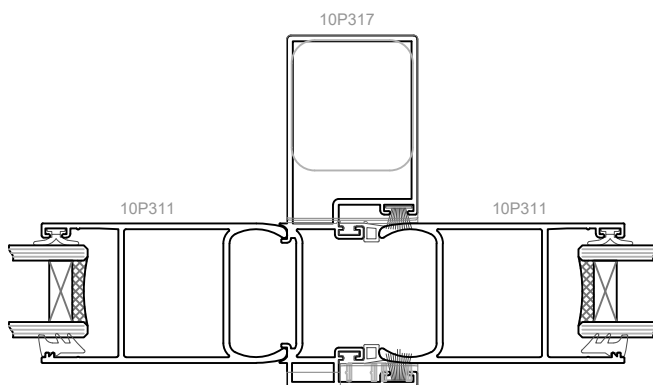
HORIZONTAL SLIDING WINDOW - SQUARE CUT



HORIZONTAL SLIDING WINDOW - SQUARE CUT

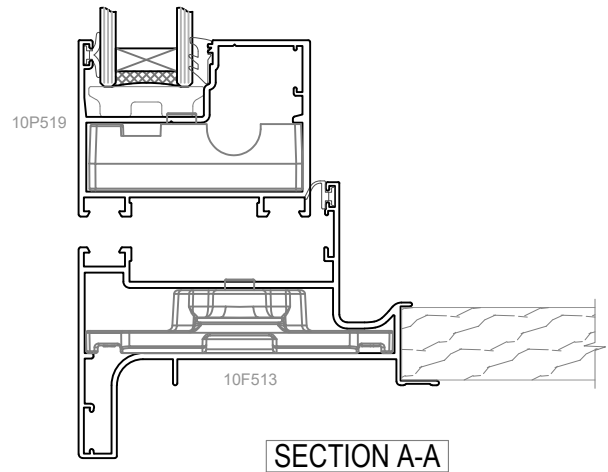
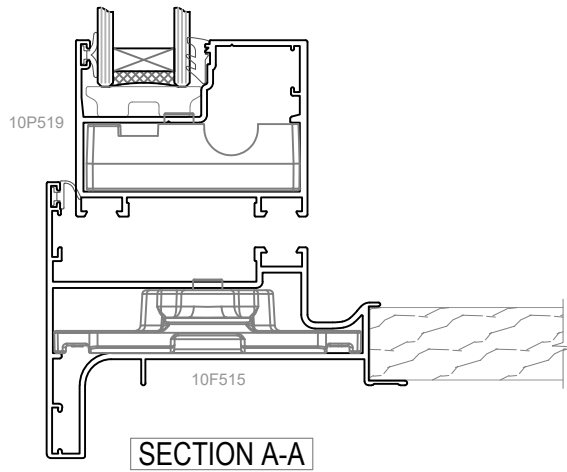
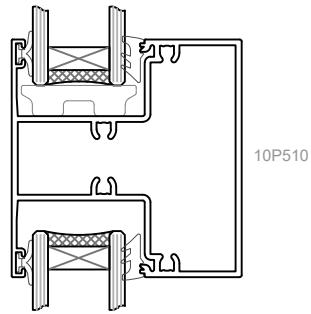
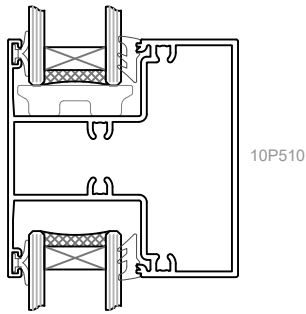
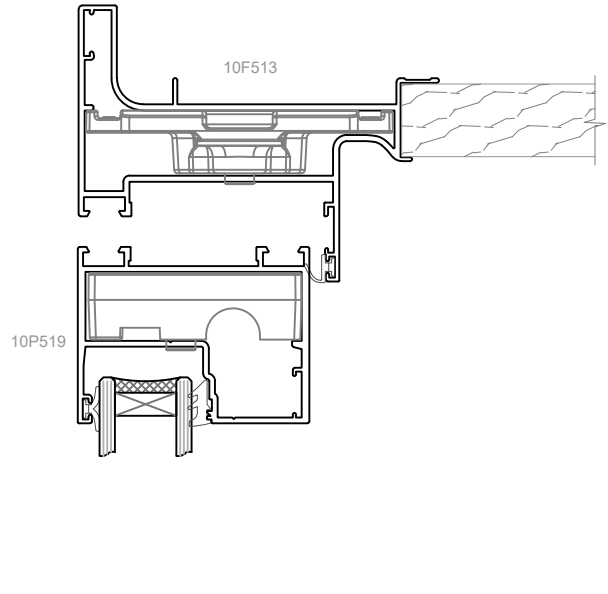
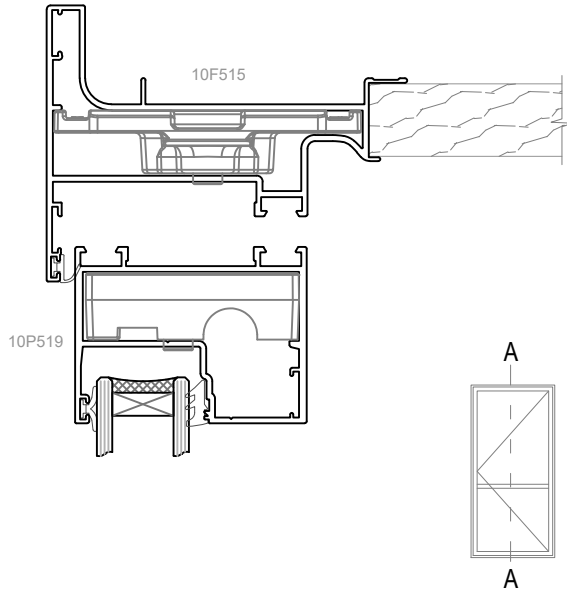


SECTION A-A

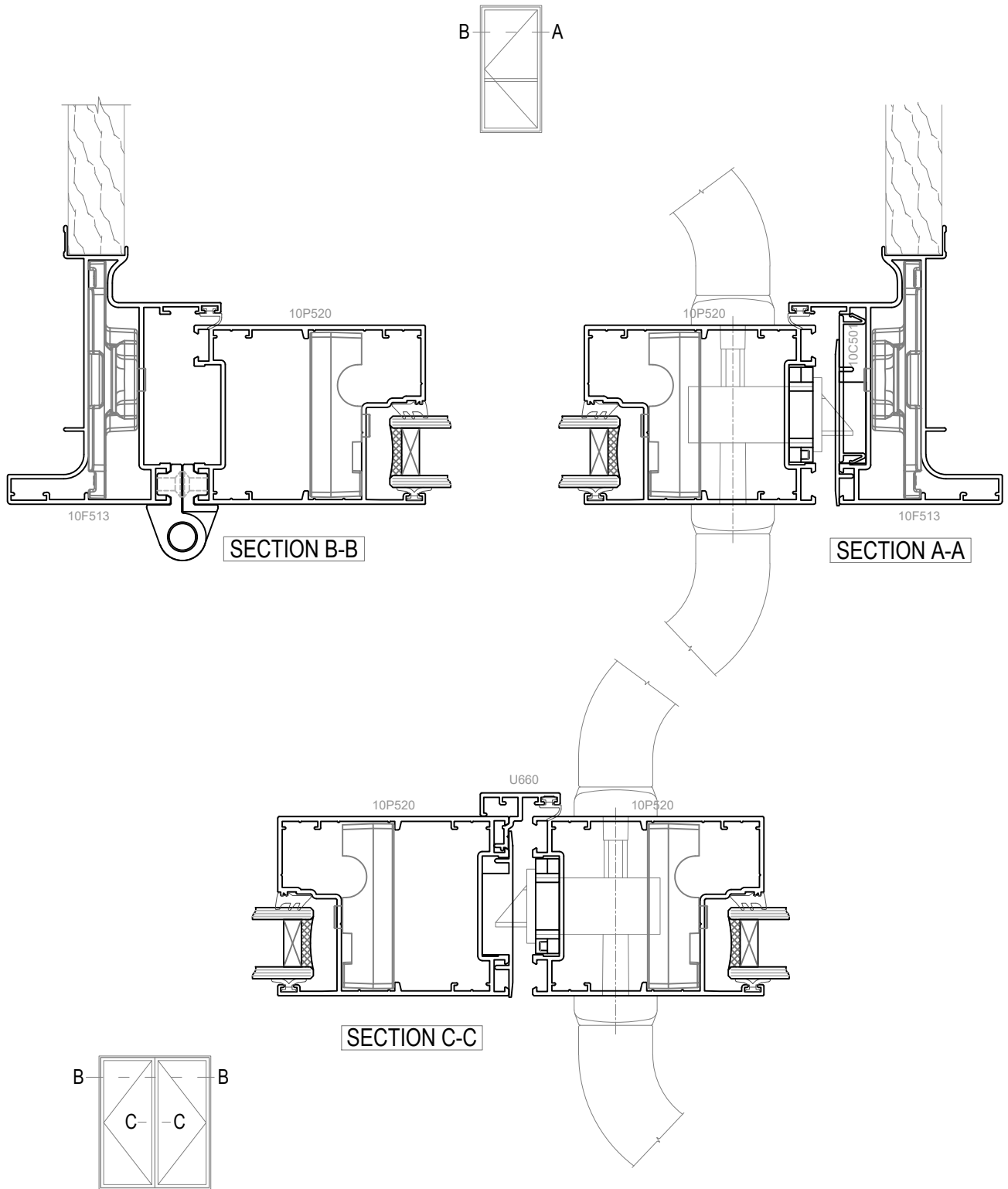


SECTION B-B

HORIZONTAL SLIDING WINDOW - SQUARE CUT

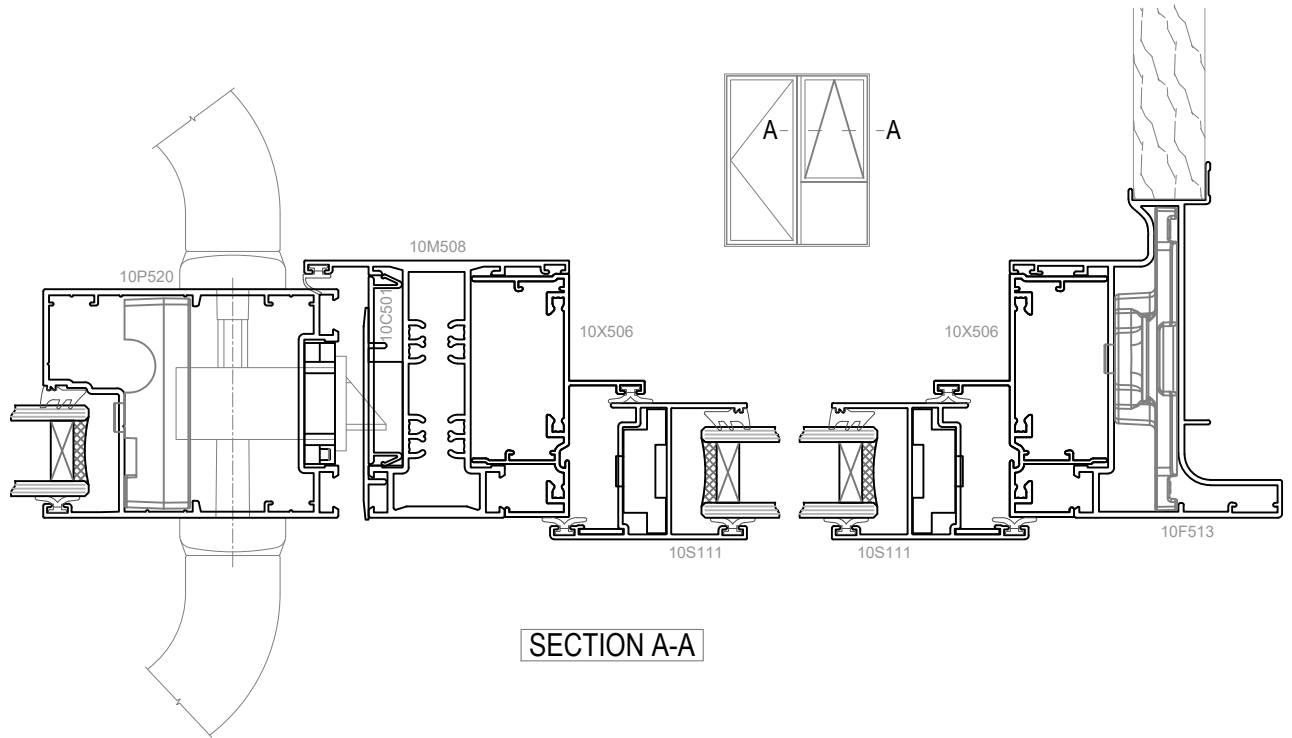


HINGED DOOR

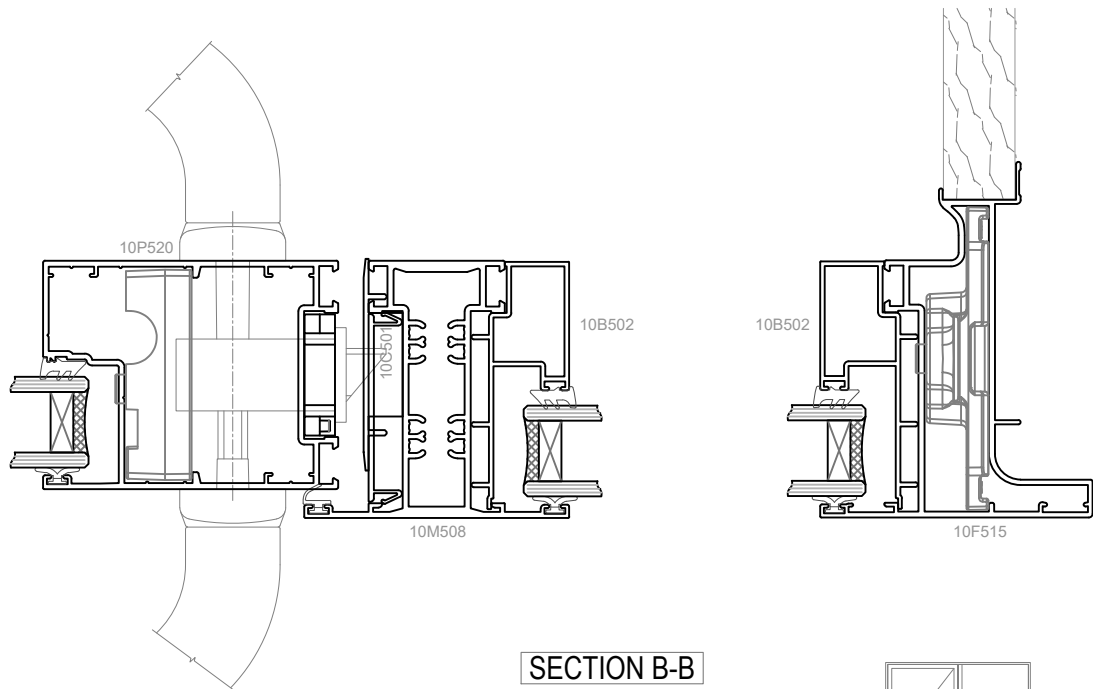


HINGED DOOR



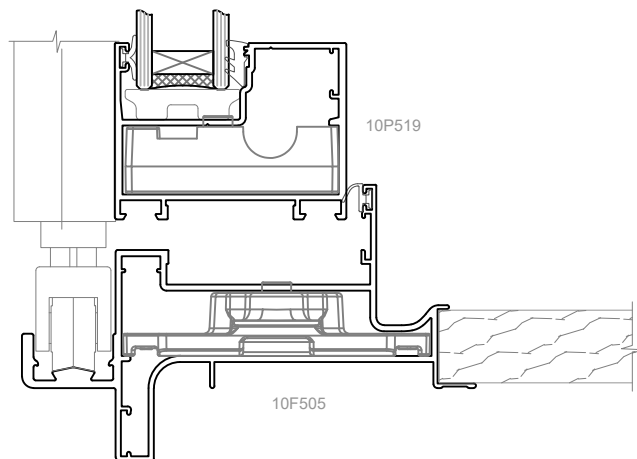
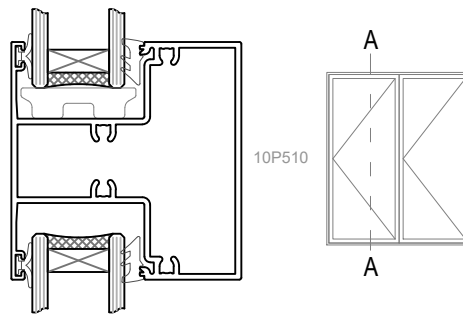
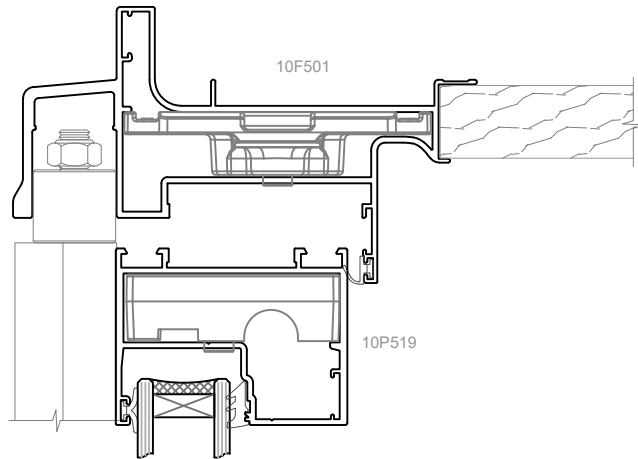


SECTION A-A



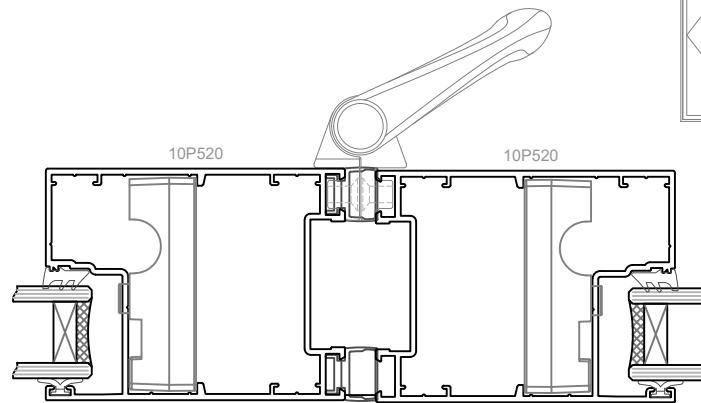
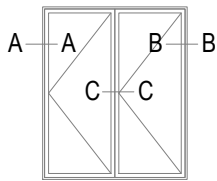
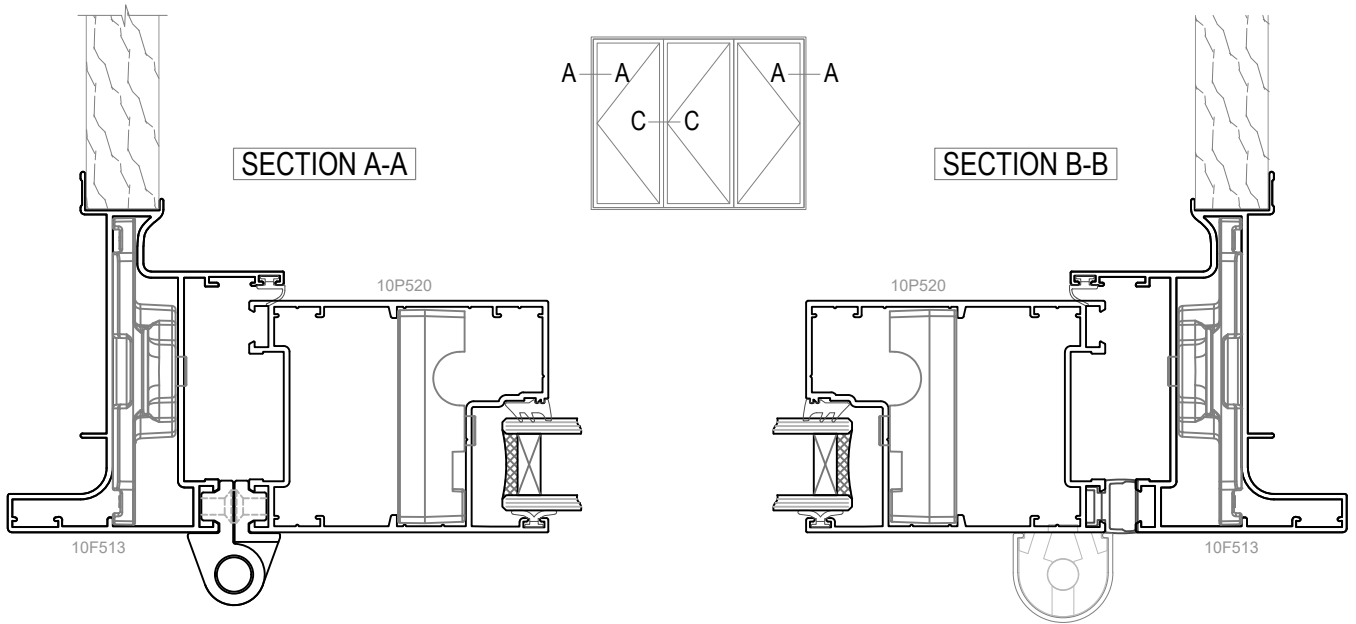
SECTION B-B

HINGED DOOR

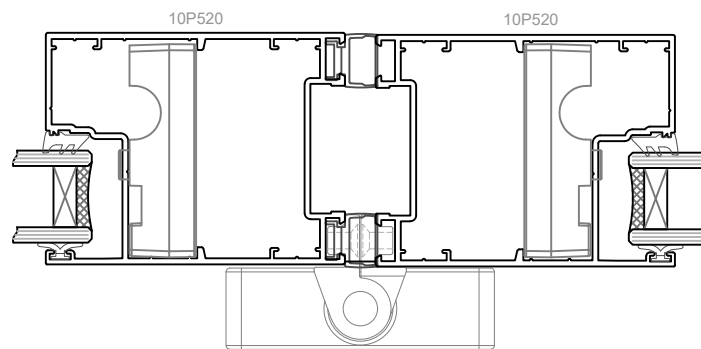
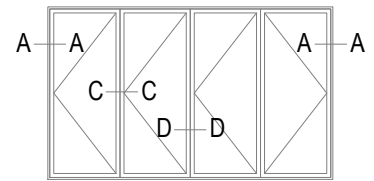


SECTION A-A

BOTTOM ROLLING BI-FOLD DOOR

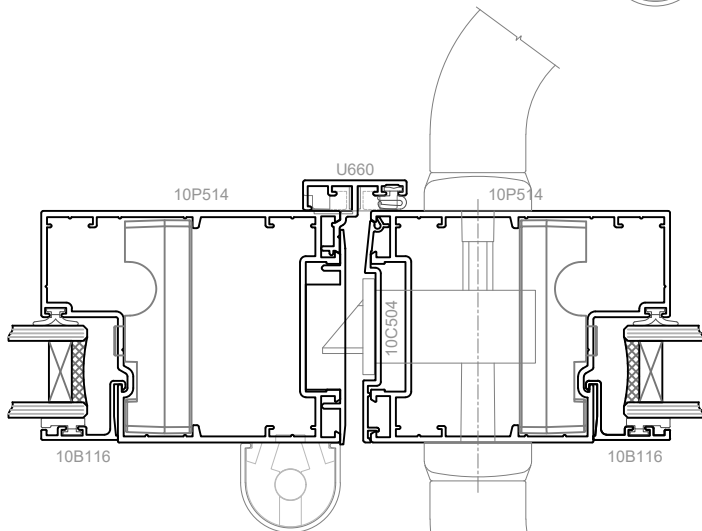
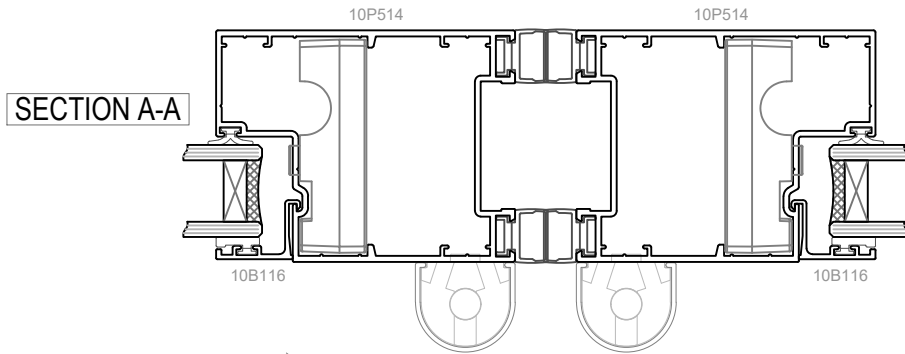
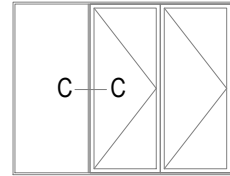
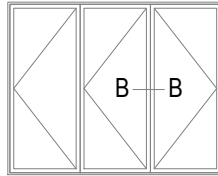
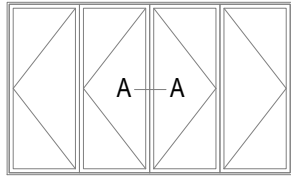


SECTION C-C

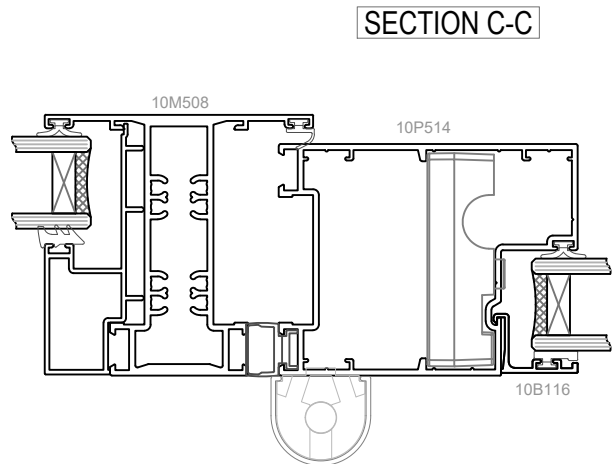


SECTION D-D

BOTTOM ROLLING BI-FOLD DOOR

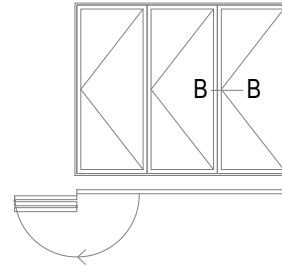
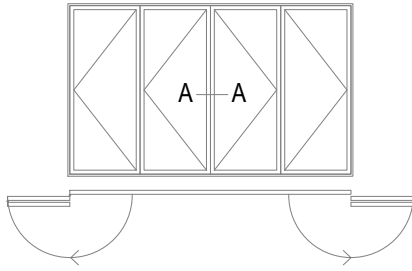


SECTION B-B

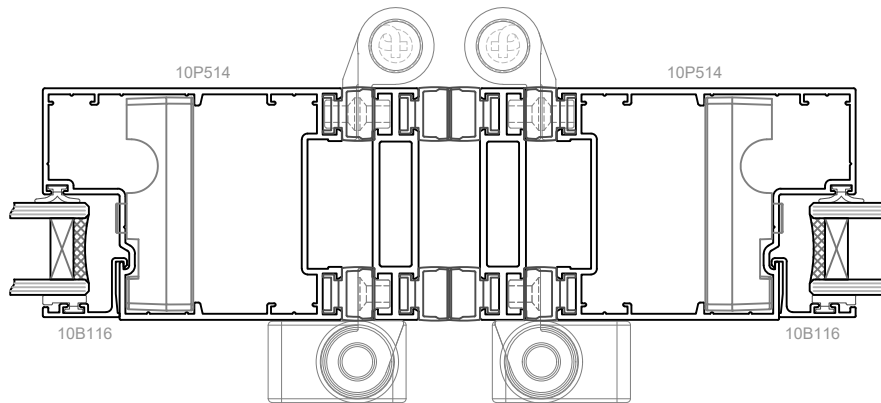


SECTION C-C

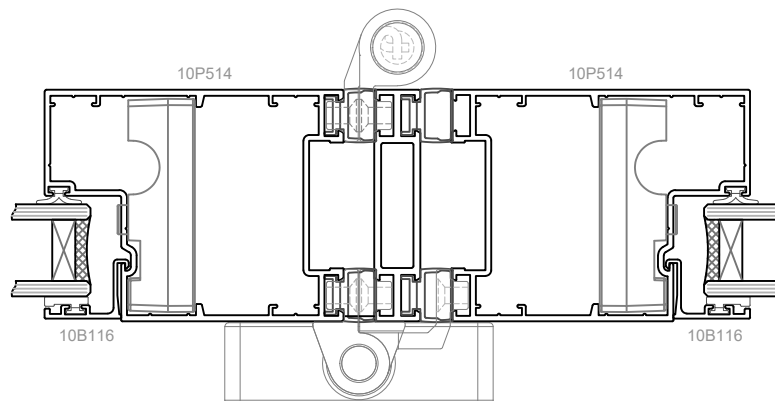
BOTTOM ROLLING BI-FOLD DOOR



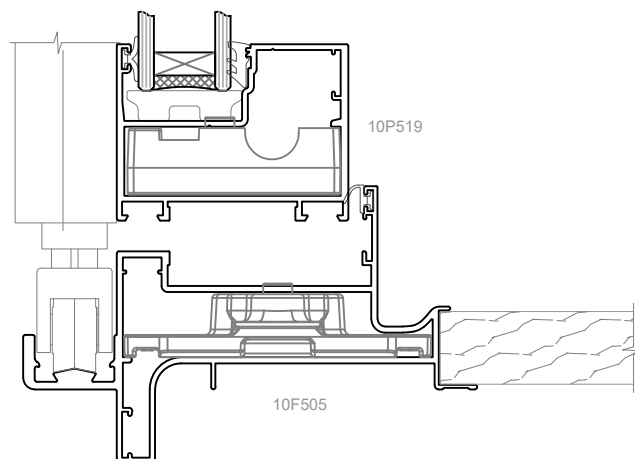
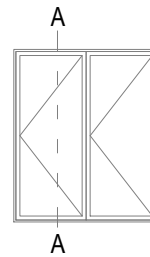
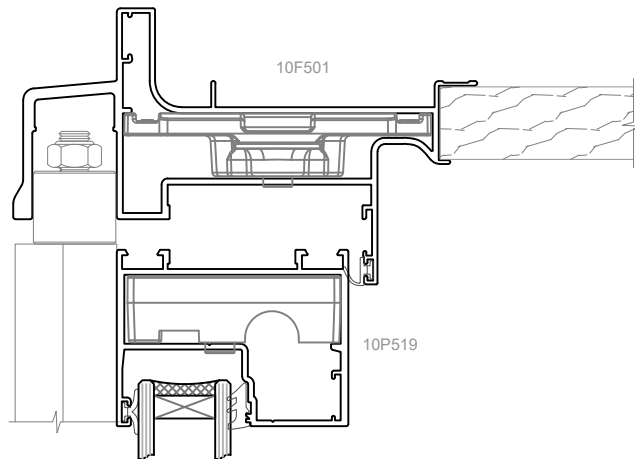
SECTION A-A



SECTION B-B

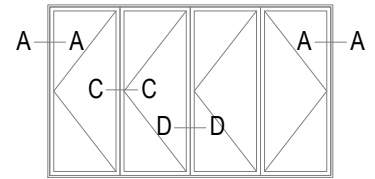
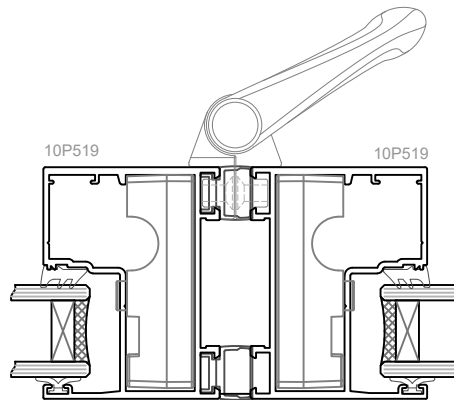
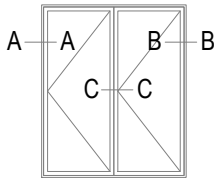
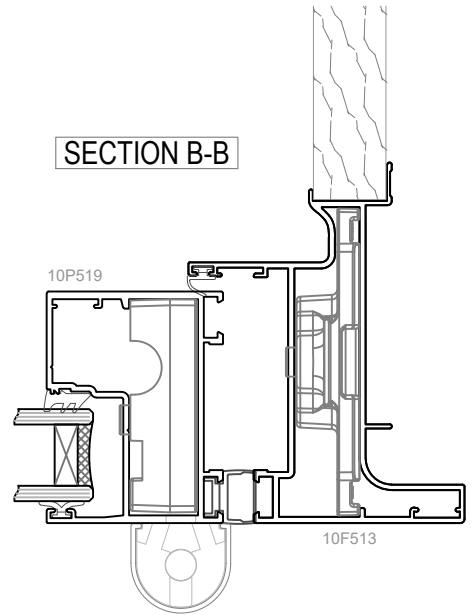
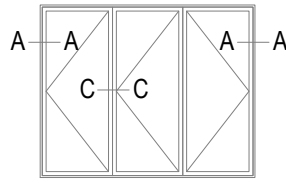
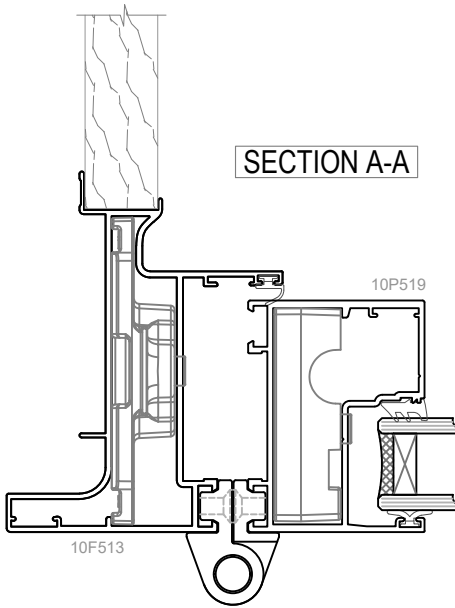


BOTTOM ROLLING BI-FOLD DOOR - FREEFOLD

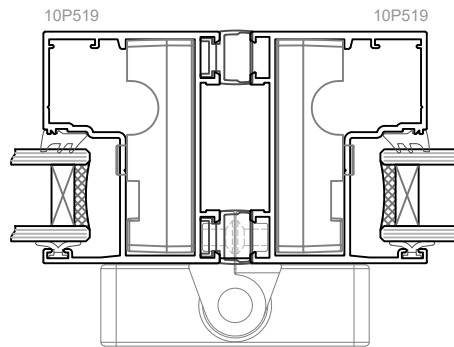


SECTION A-A

BI-FOLD WINDOW

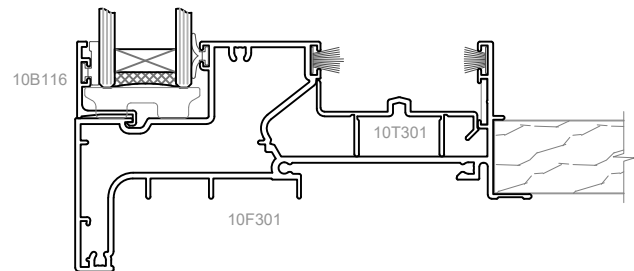
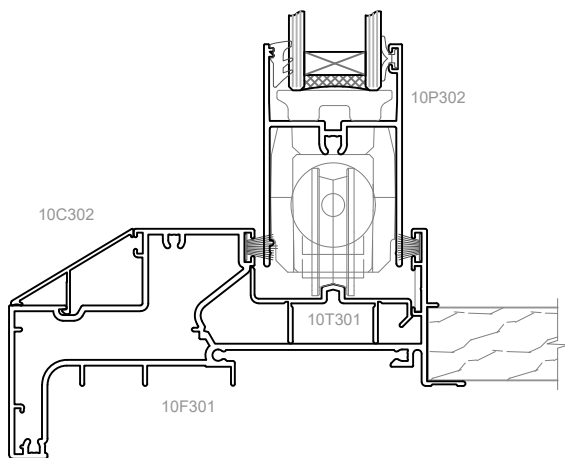
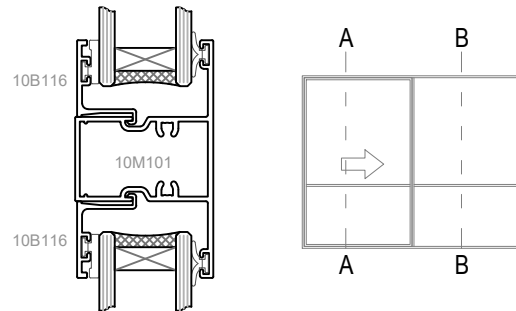
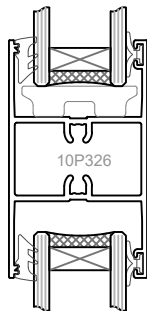
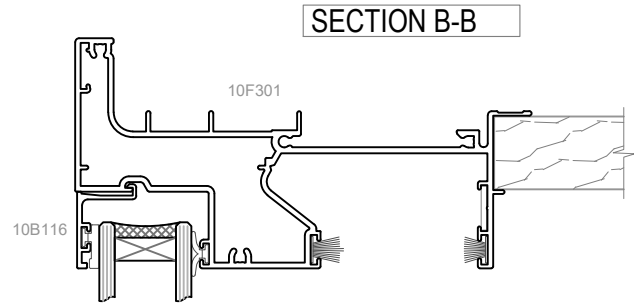
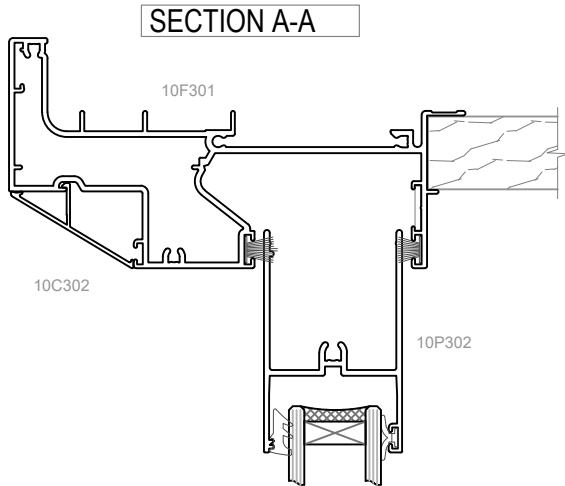


SECTION C-C



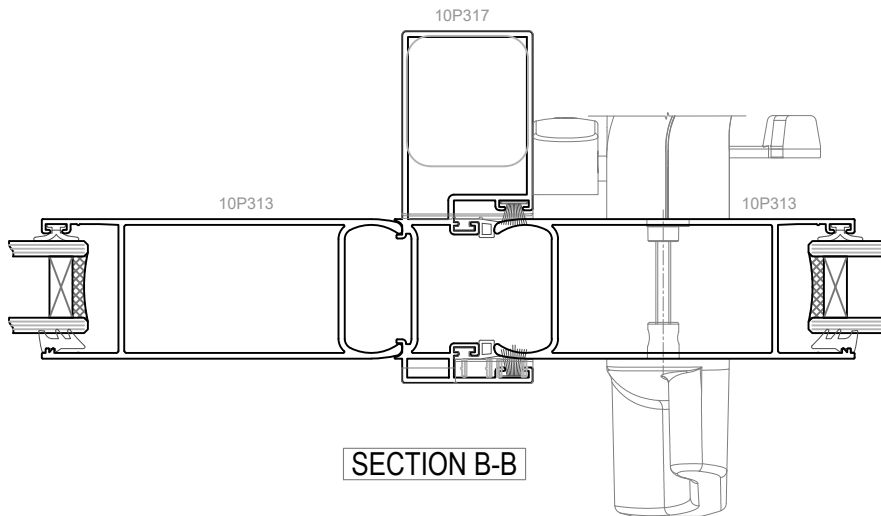
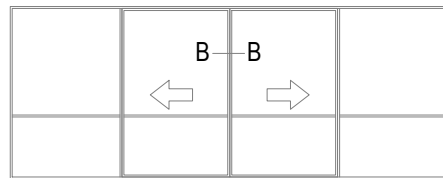
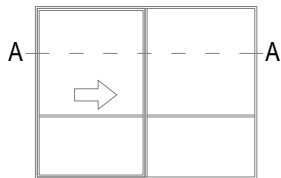
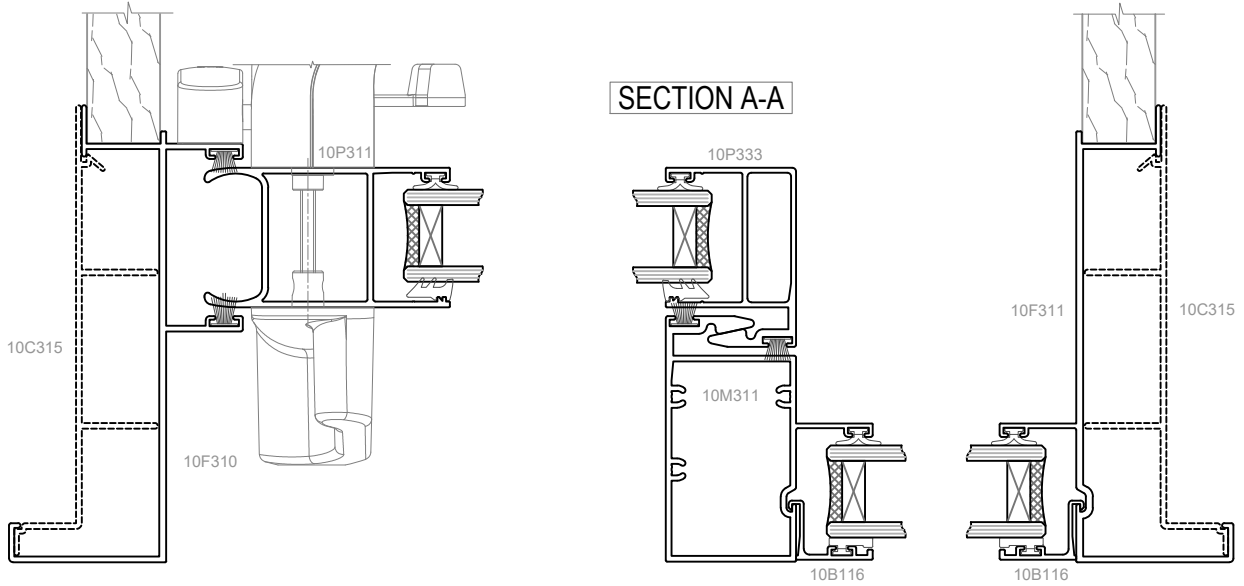
SECTION D-D

BI-FOLD WINDOW

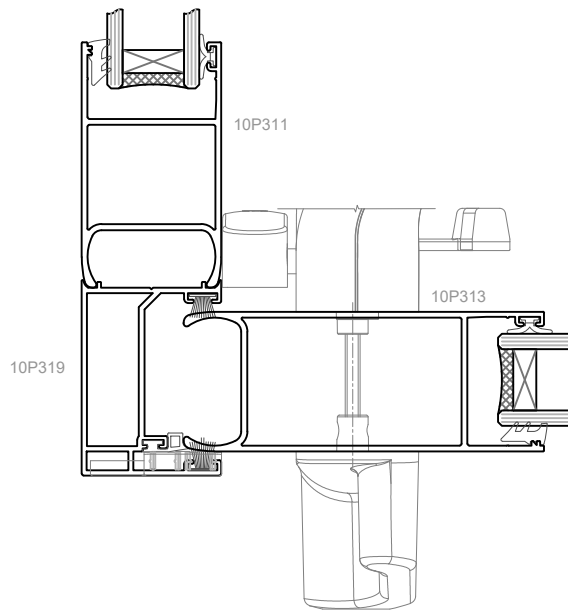
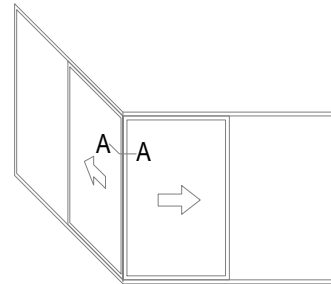


SLIDING DOOR - SQUARE CUT



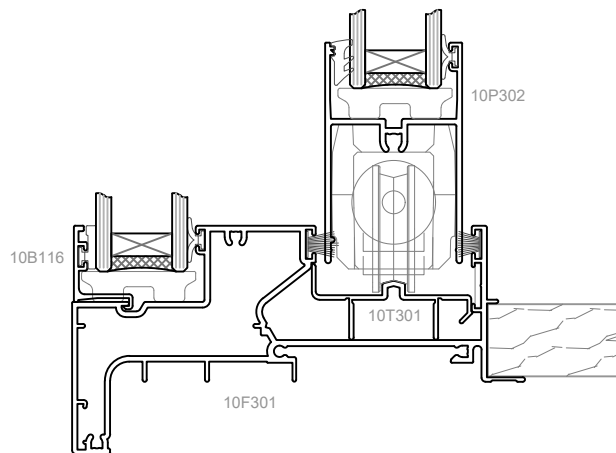
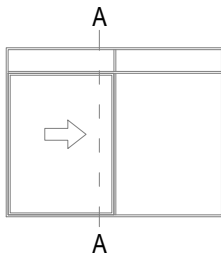
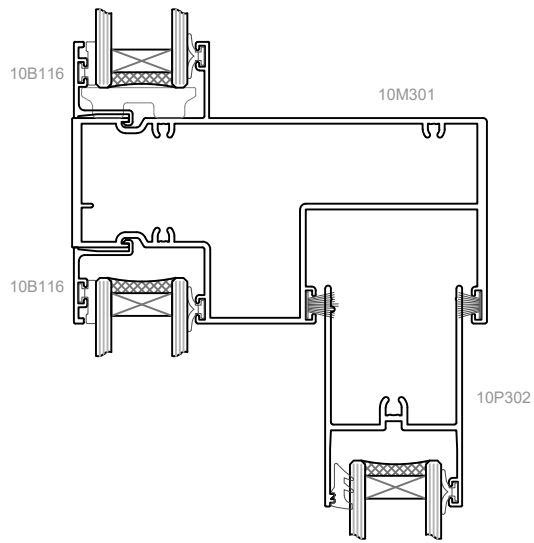
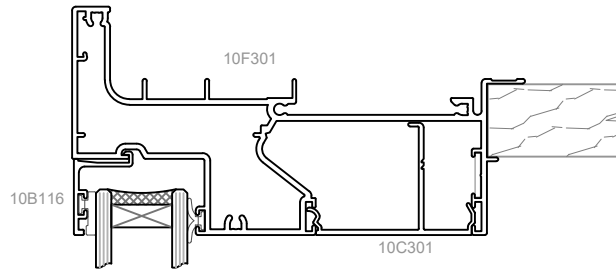


SLIDING DOOR - SQUARE CUT



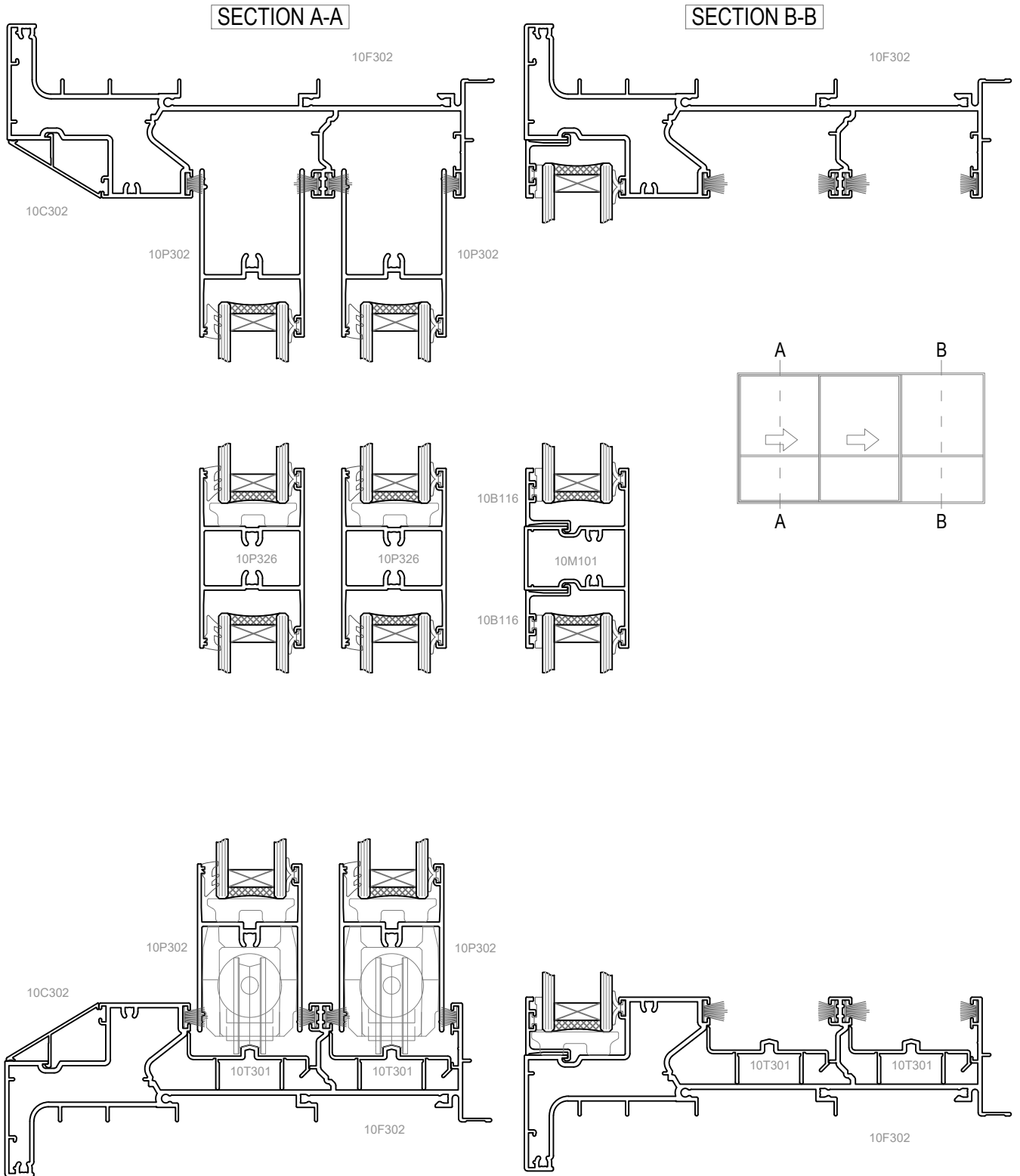
SECTION A-A

SLIDING DOOR - SQUARE CUT

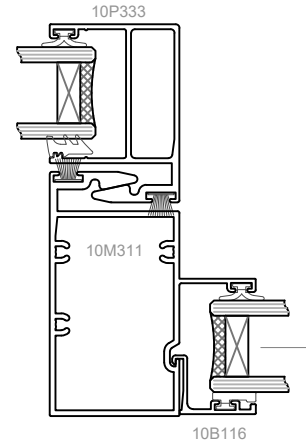
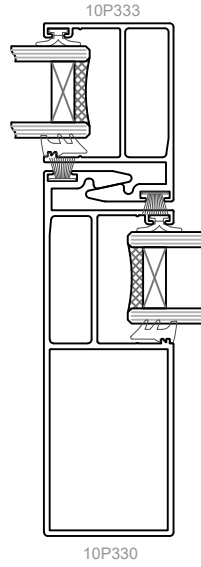
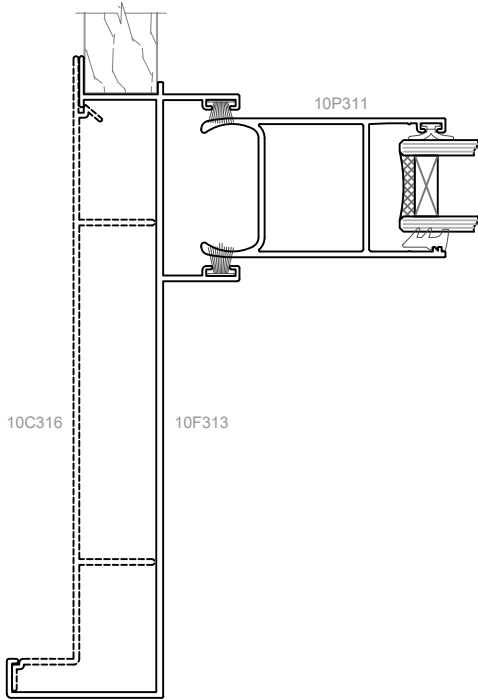


SECTION A-A

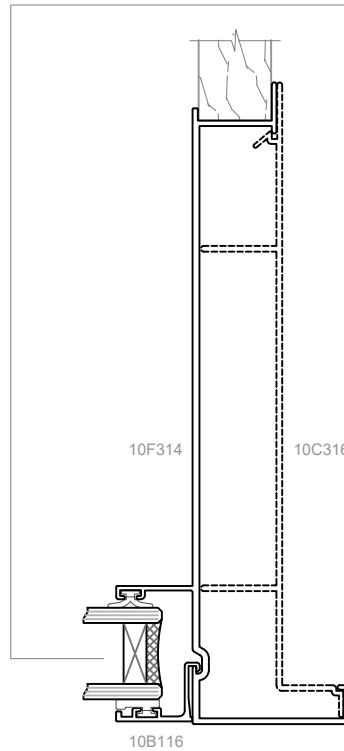
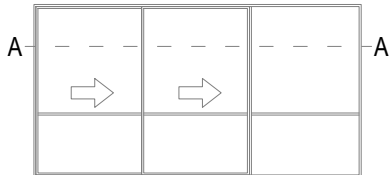
SLIDING DOOR - SQUARE CUT



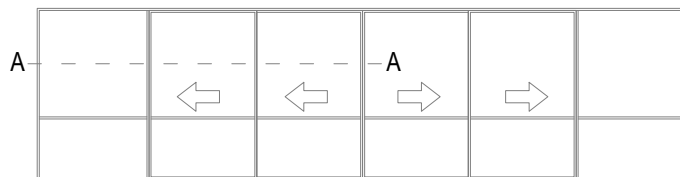
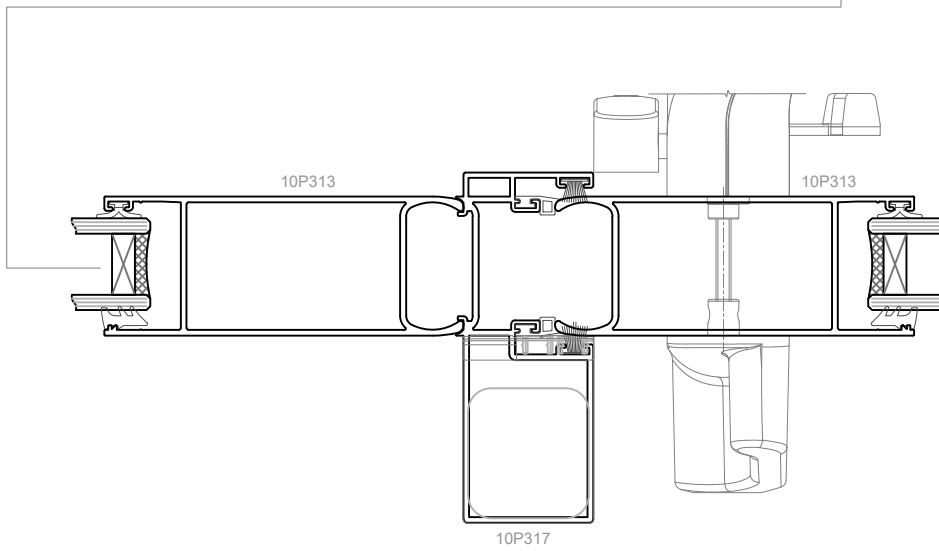
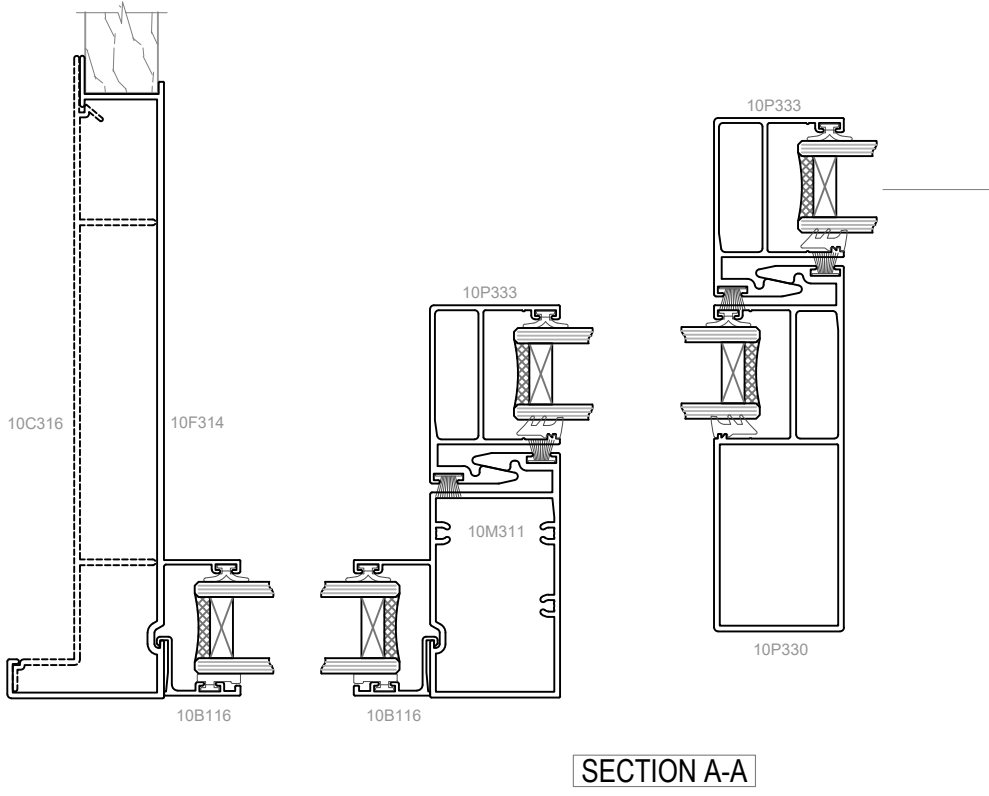
STACKING DOOR - SQUARE CUT



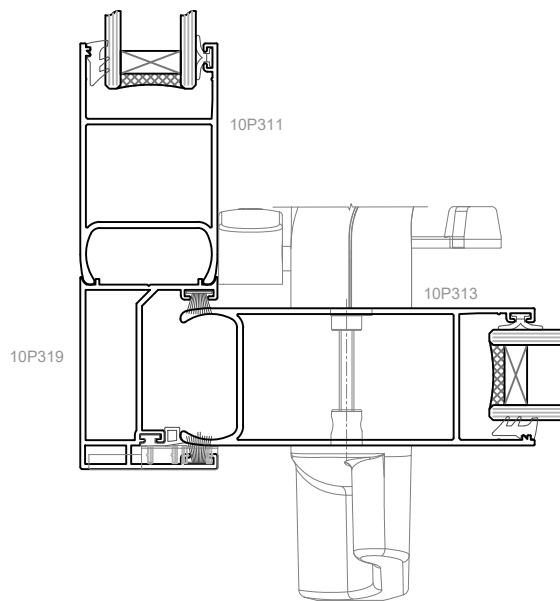
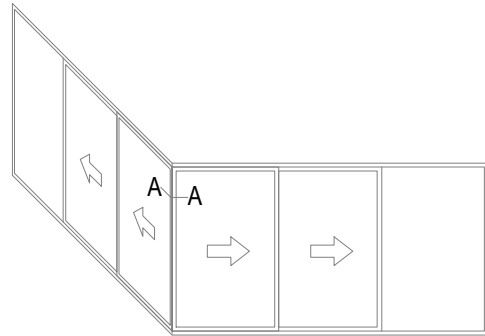
SECTION A-A



STACKING DOOR - SQUARE CUT

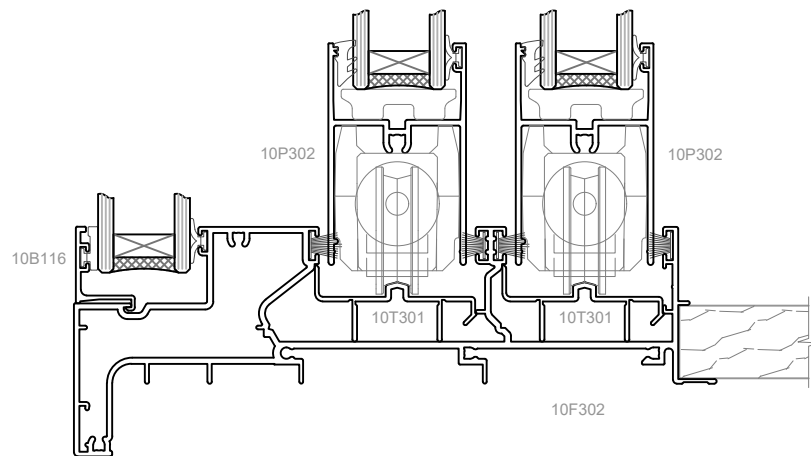
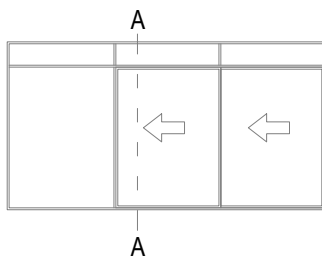
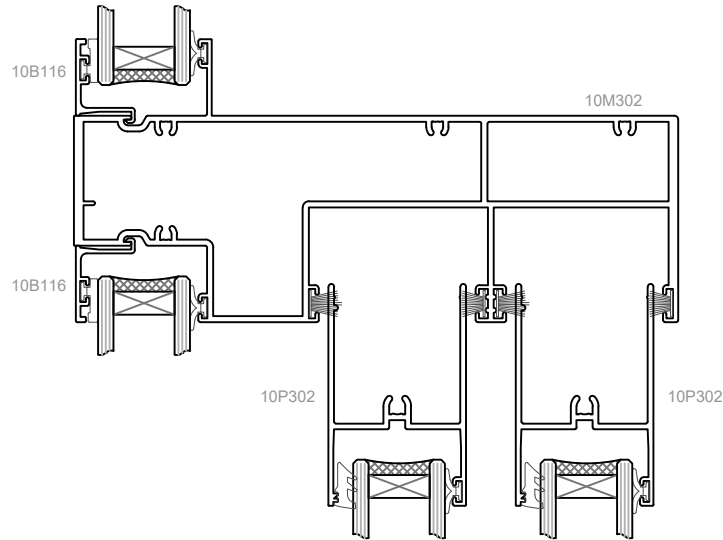
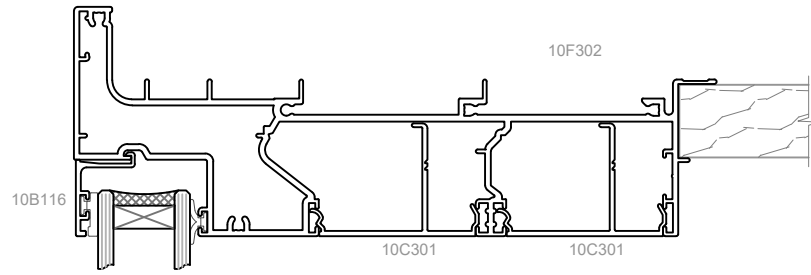


STACKING DOOR - SQUARE CUT



SECTION A-A

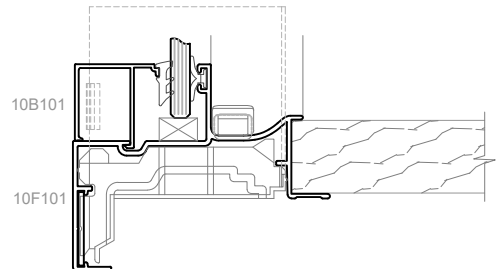
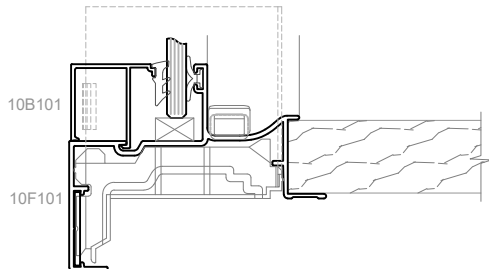
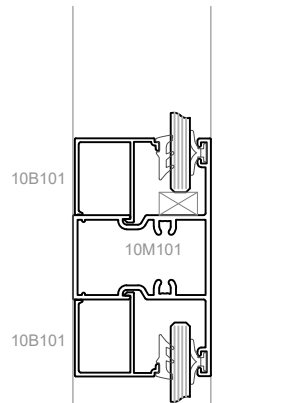
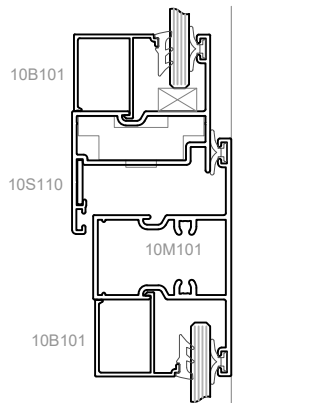
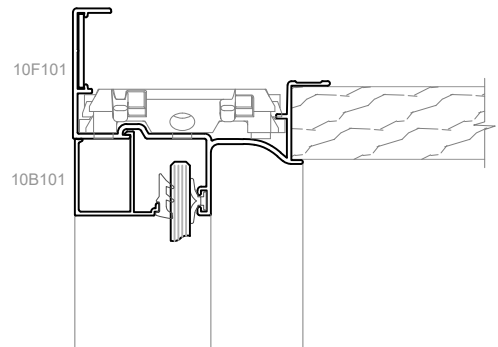
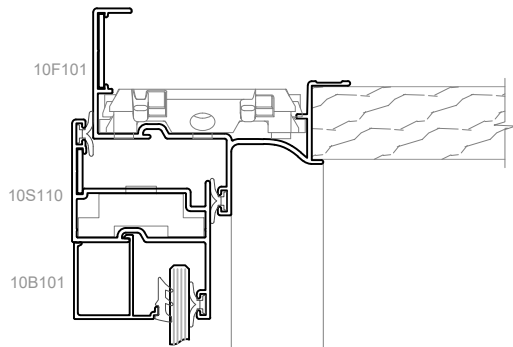
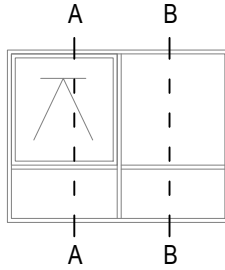
STACKING DOOR - SQUARE CUT



SECTION A-A

STACKING DOOR - SQUARE CUT



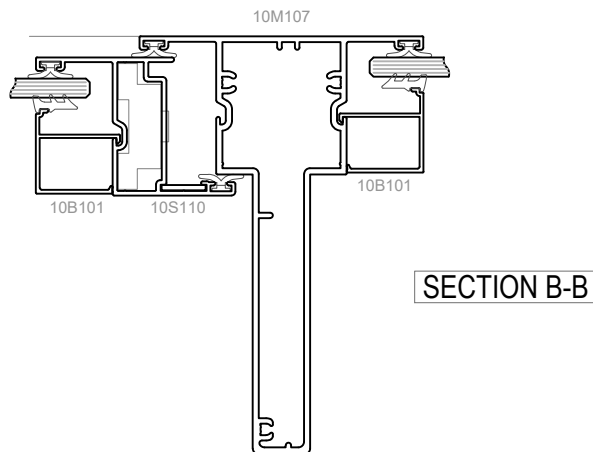
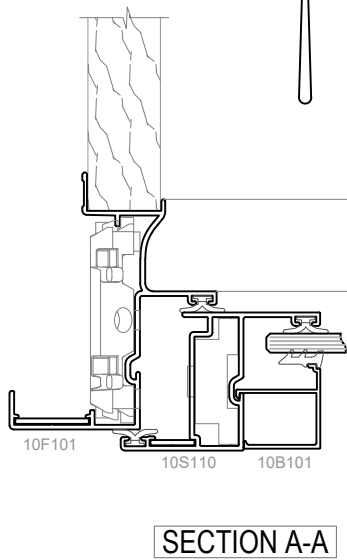
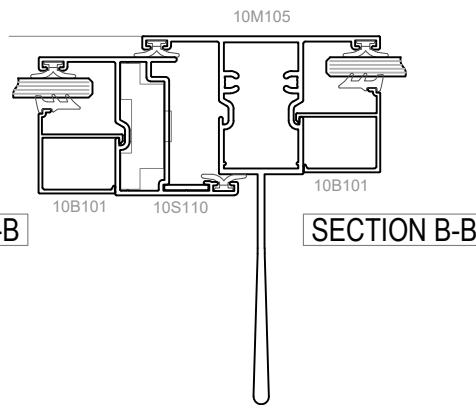
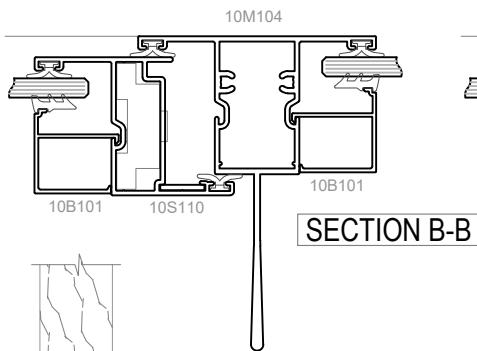
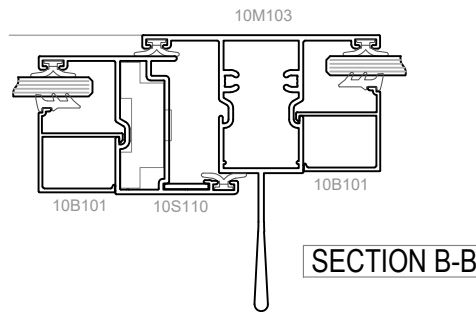
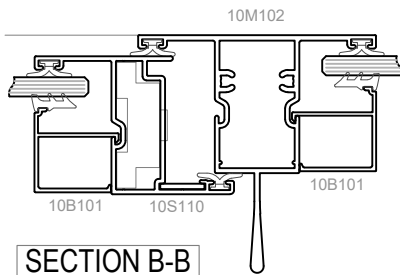
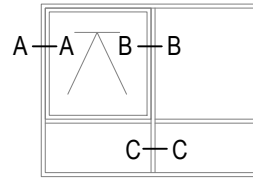
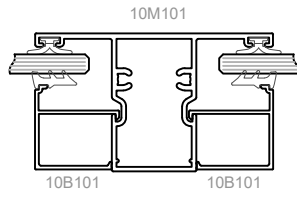


SECTION A-A

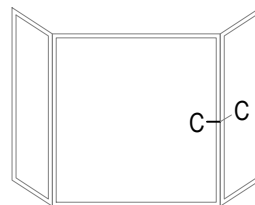
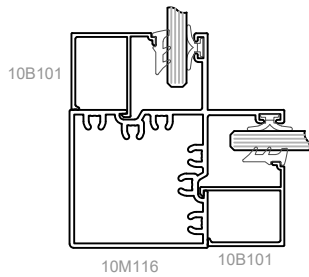
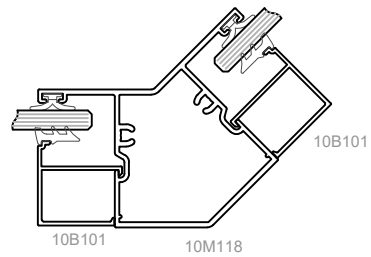
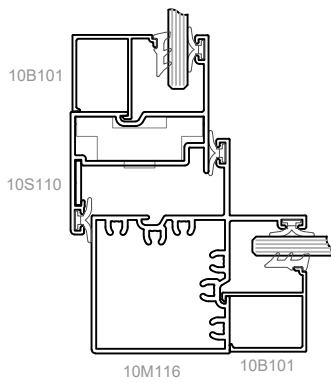
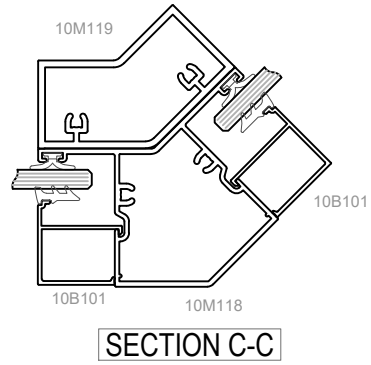
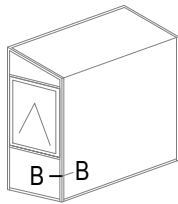
SECTION B-B

AWNING / CASEMENT WINDOW - STANDARD FRAME

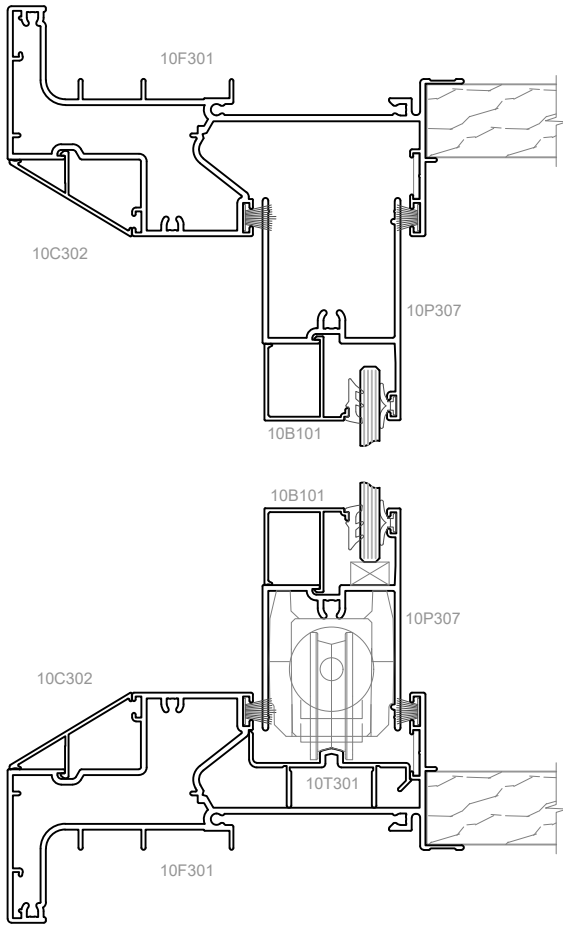
SECTION C-C



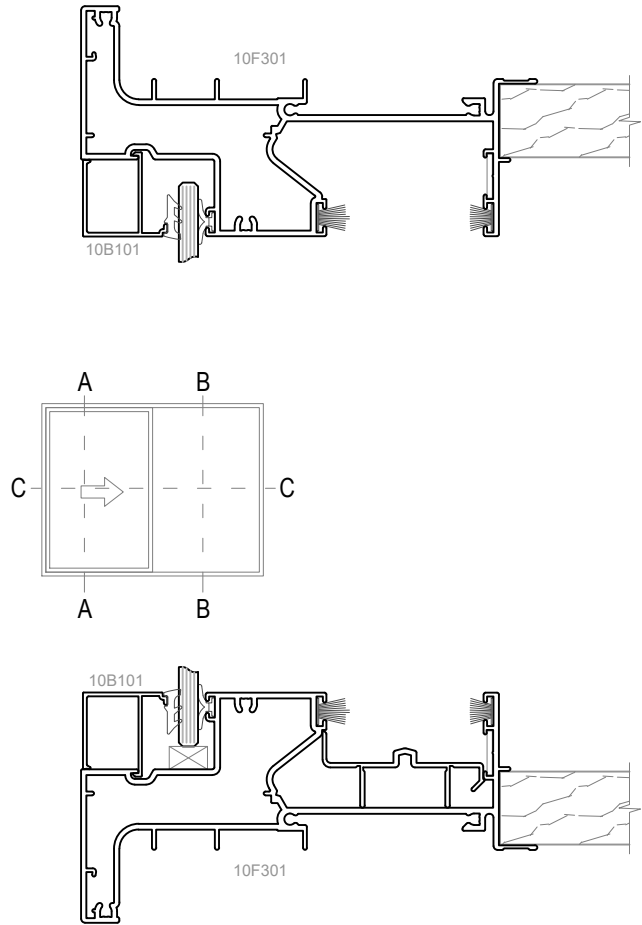
AWNING / CASEMENT WINDOW - STANDARD FRAME



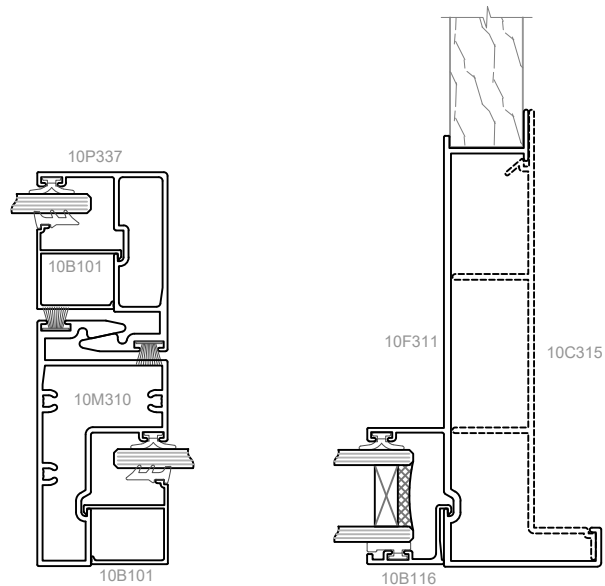
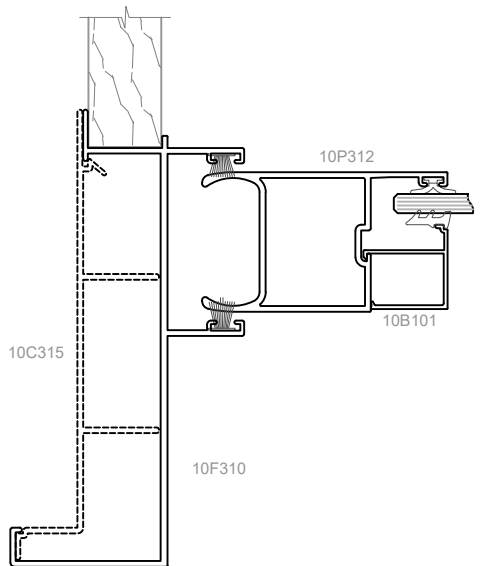
AWNING / CASEMENT WINDOW - STANDARD FRAME



SECTION A-A

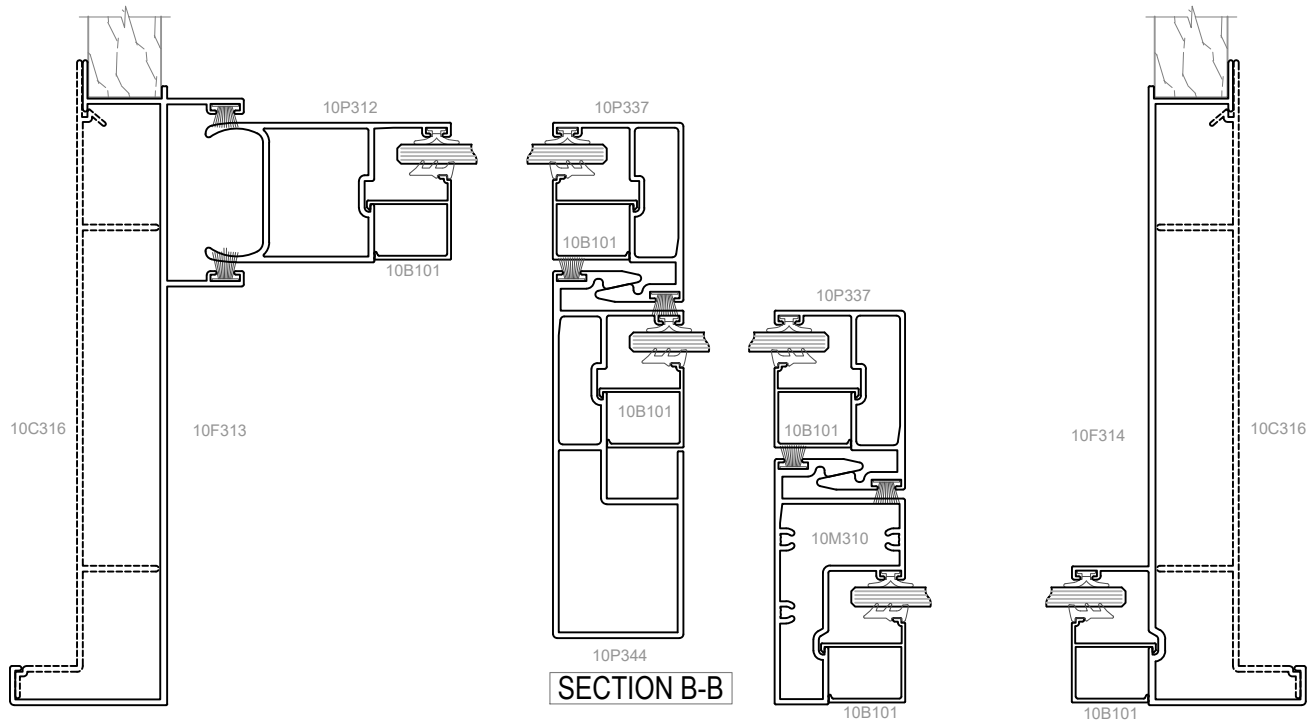
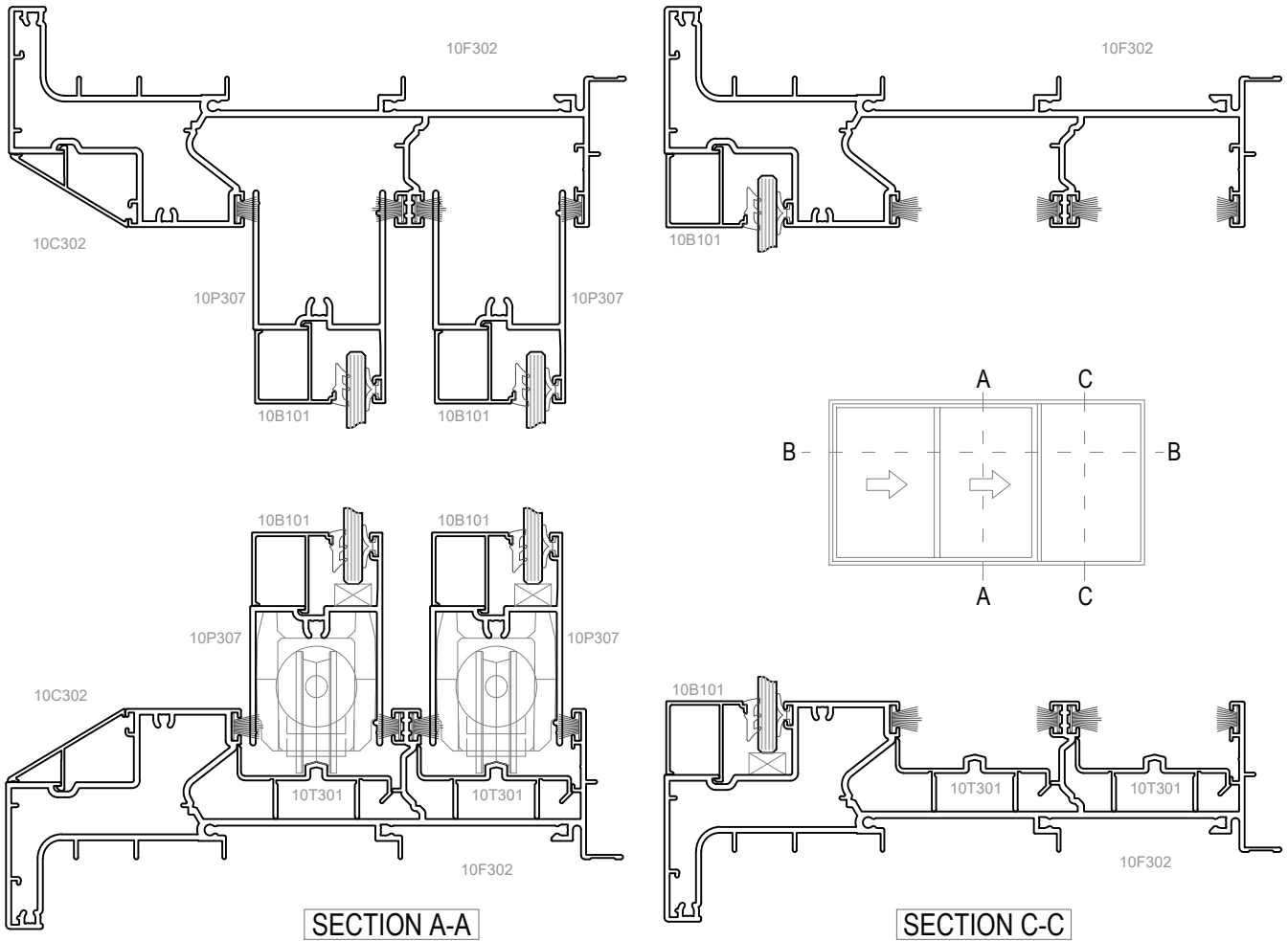


SECTION B-B

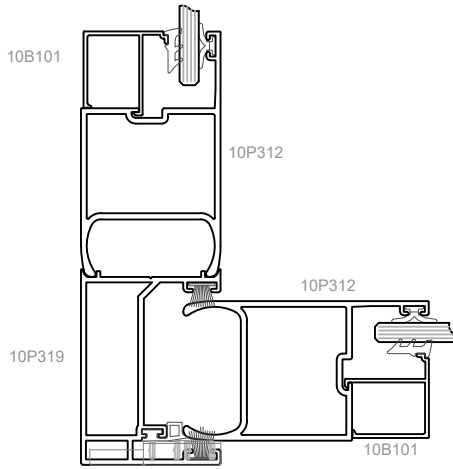


SECTION C-C

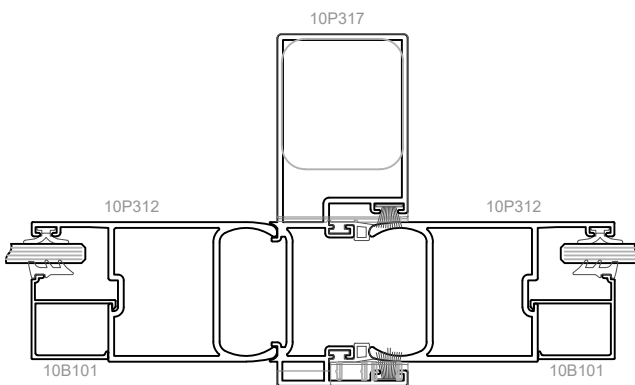
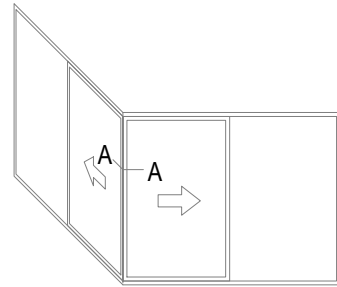
HORIZONTAL SLIDING WINDOW - SQUARE CUT



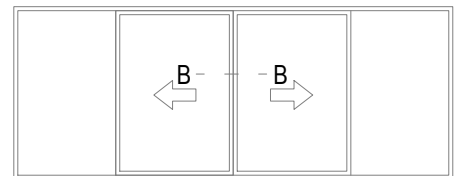
HORIZONTAL SLIDING WINDOW - SQUARE CUT



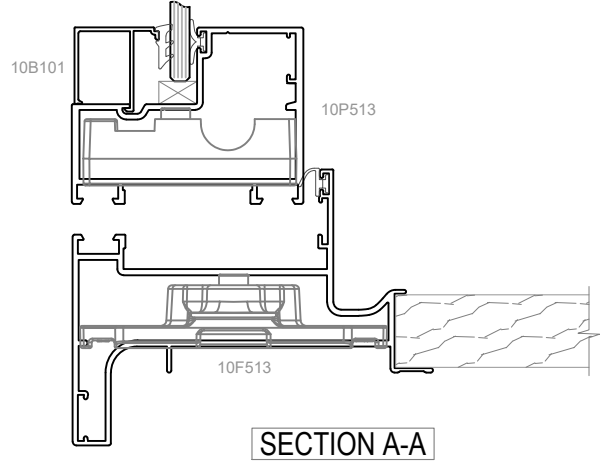
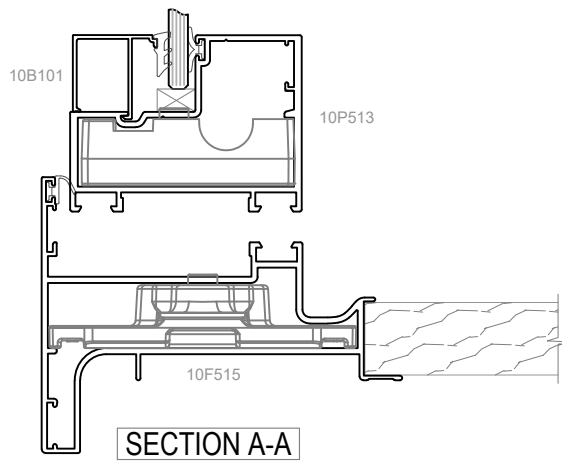
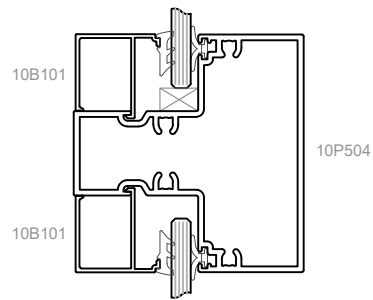
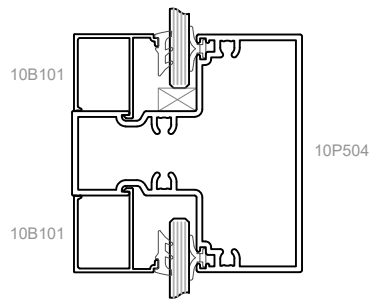
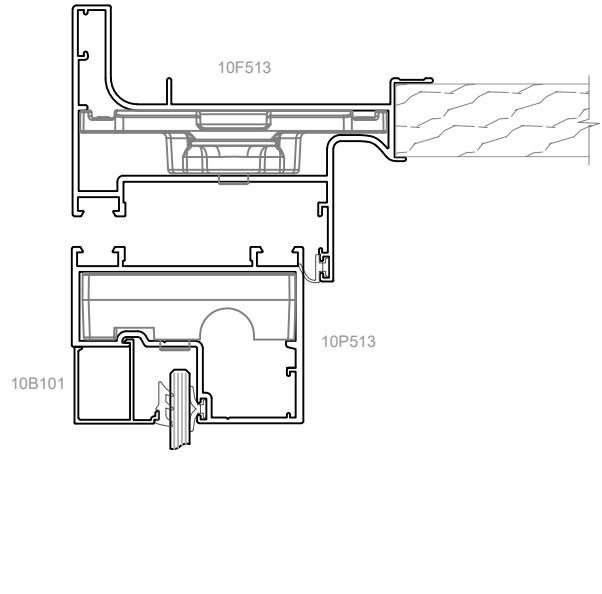
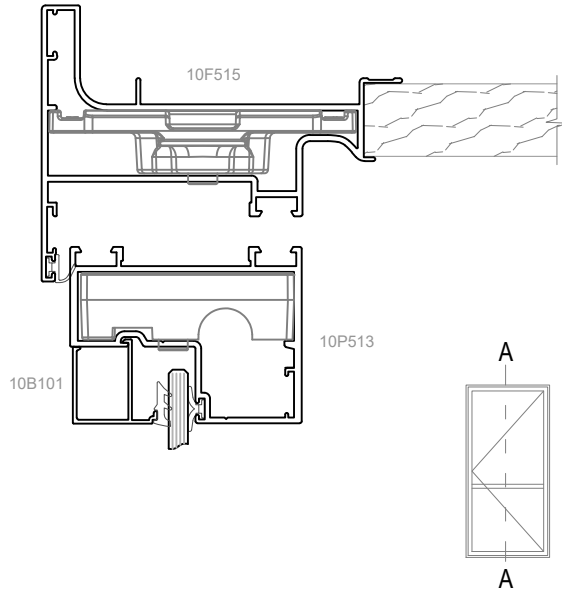
SECTION A-A



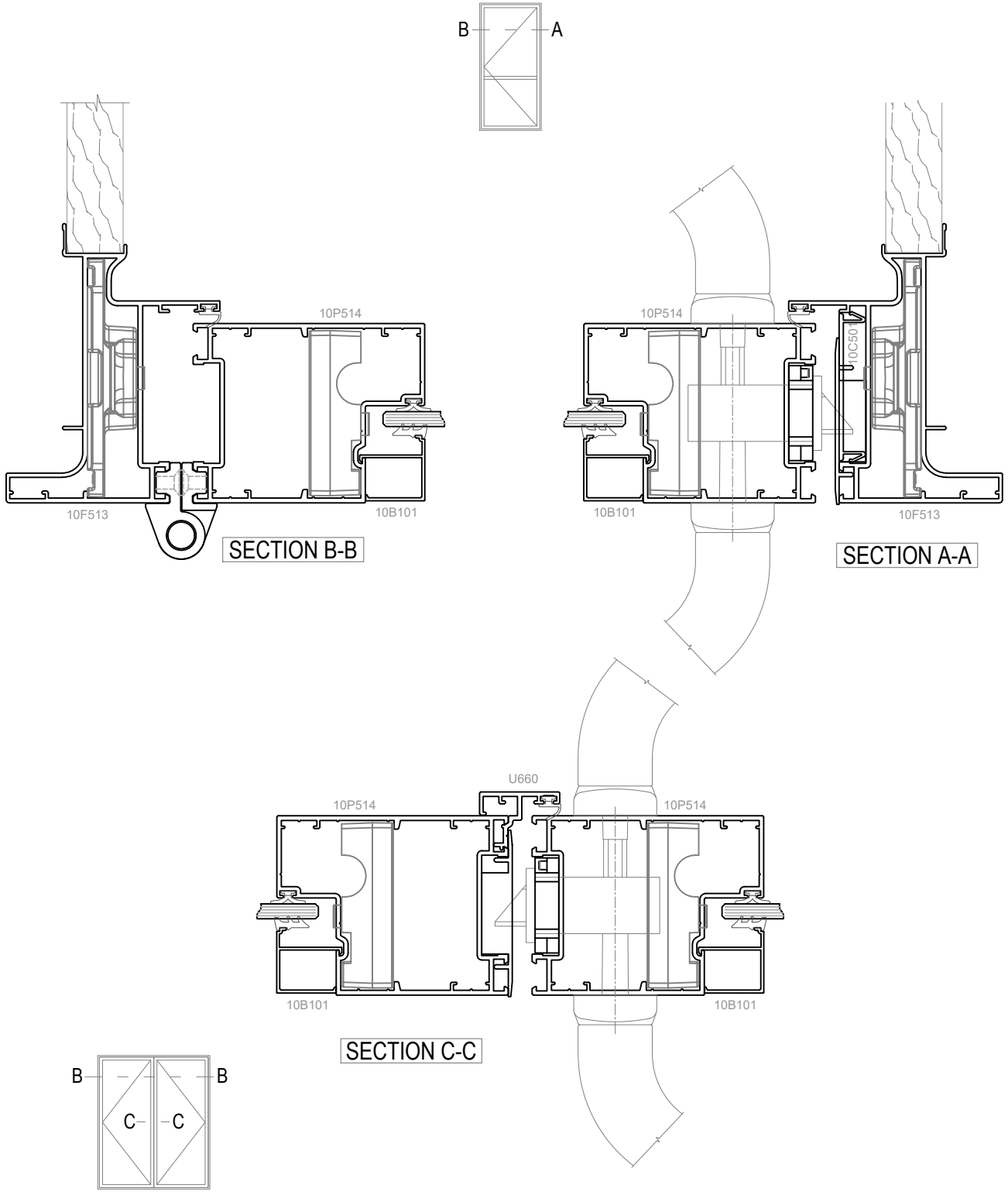
SECTION B-B



HORIZONTAL SLIDING WINDOW - SQUARE CUT

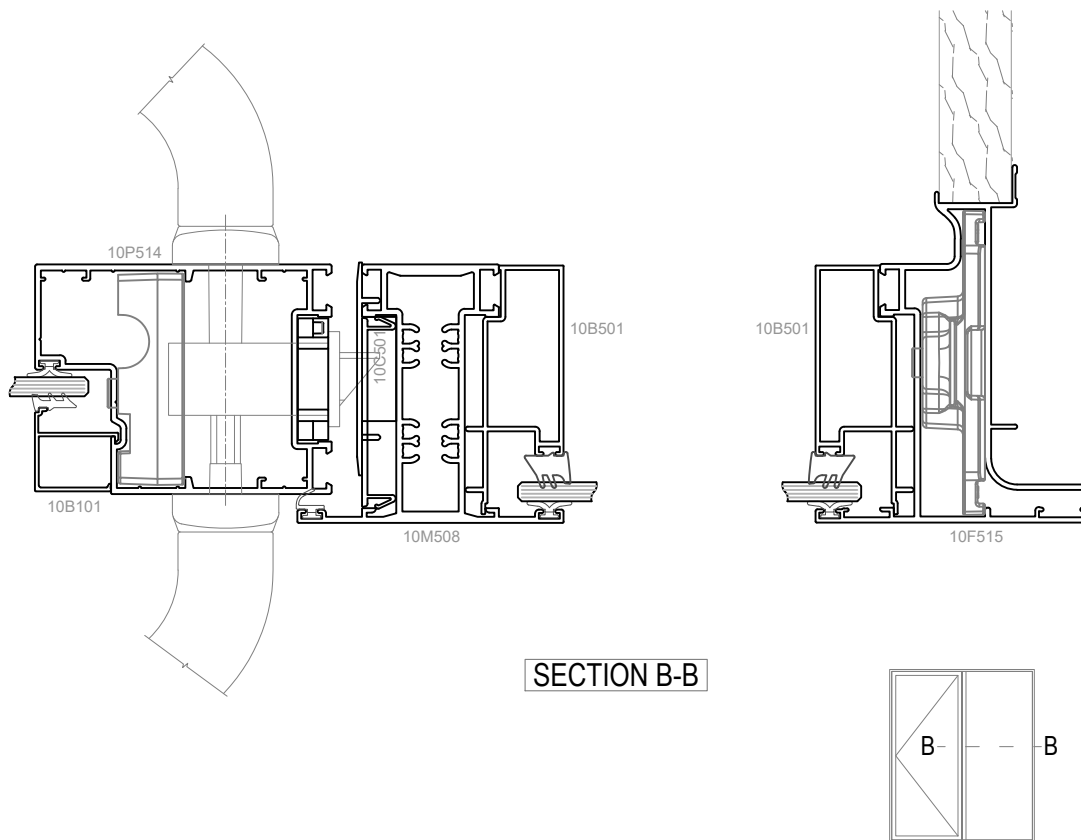
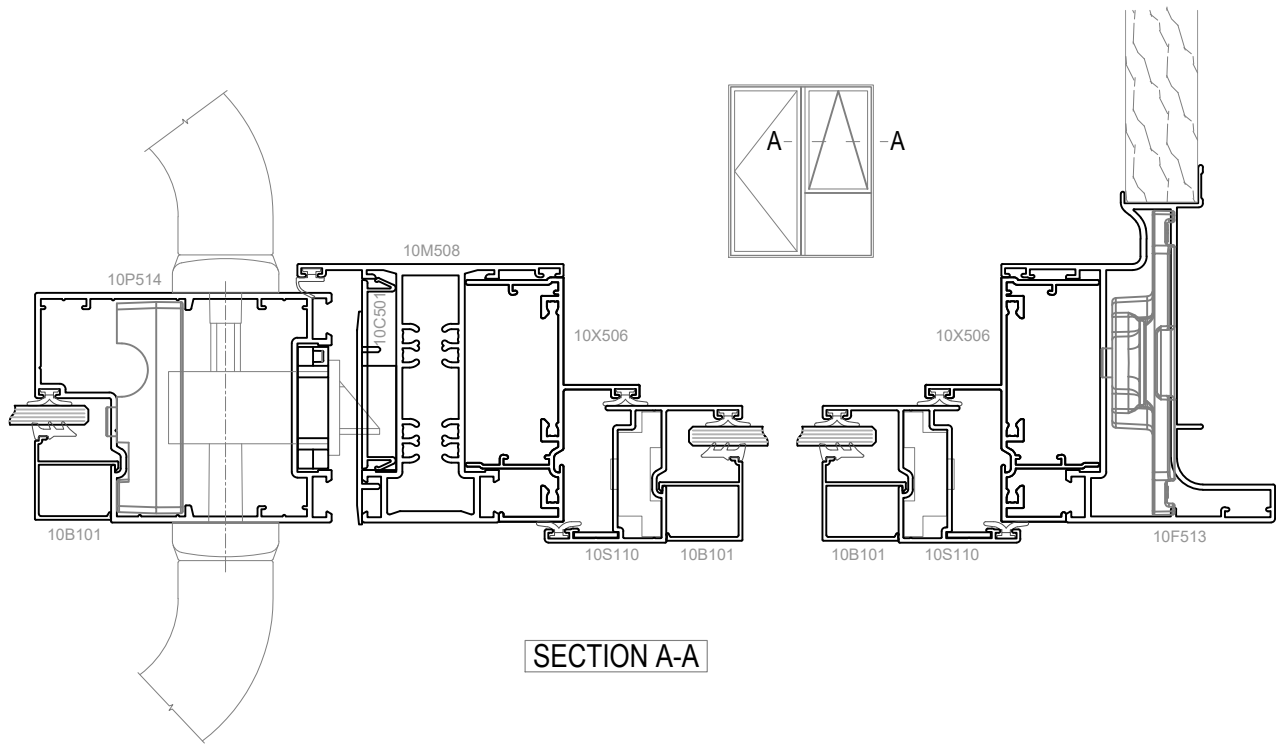


HINGED DOOR

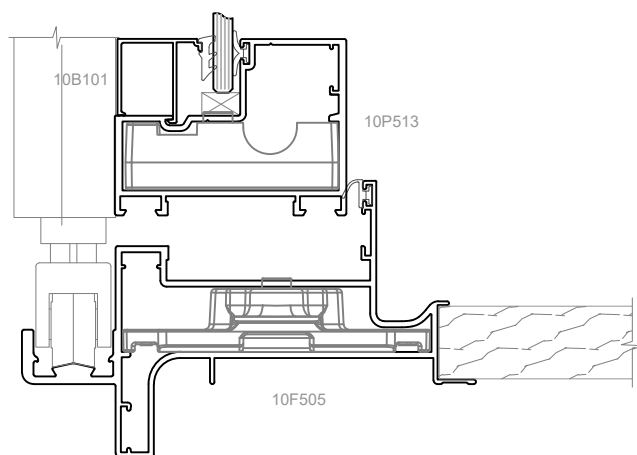
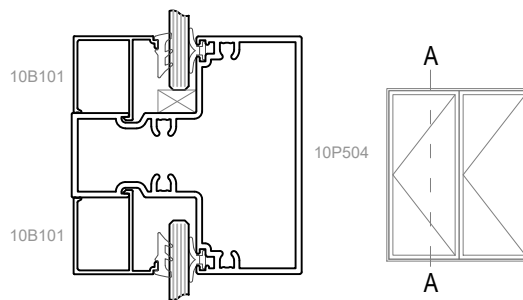
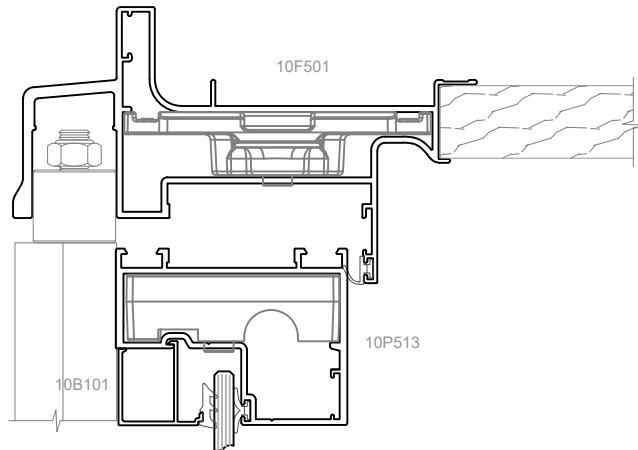


HINGED DOOR



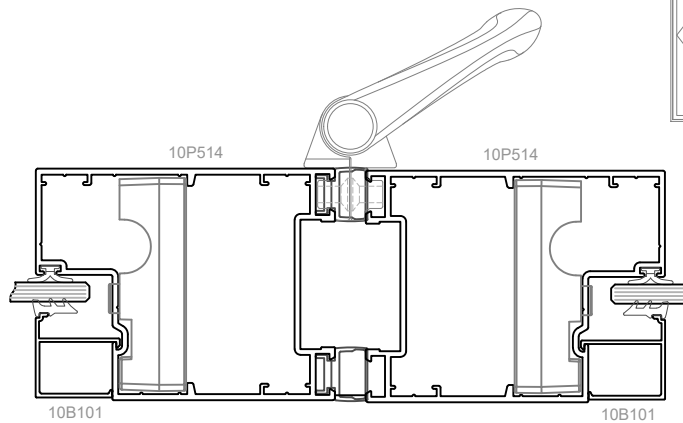
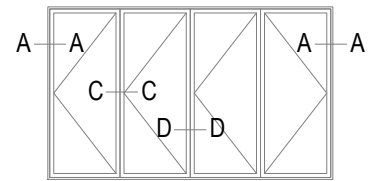
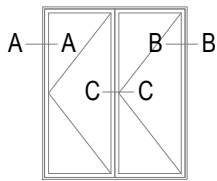
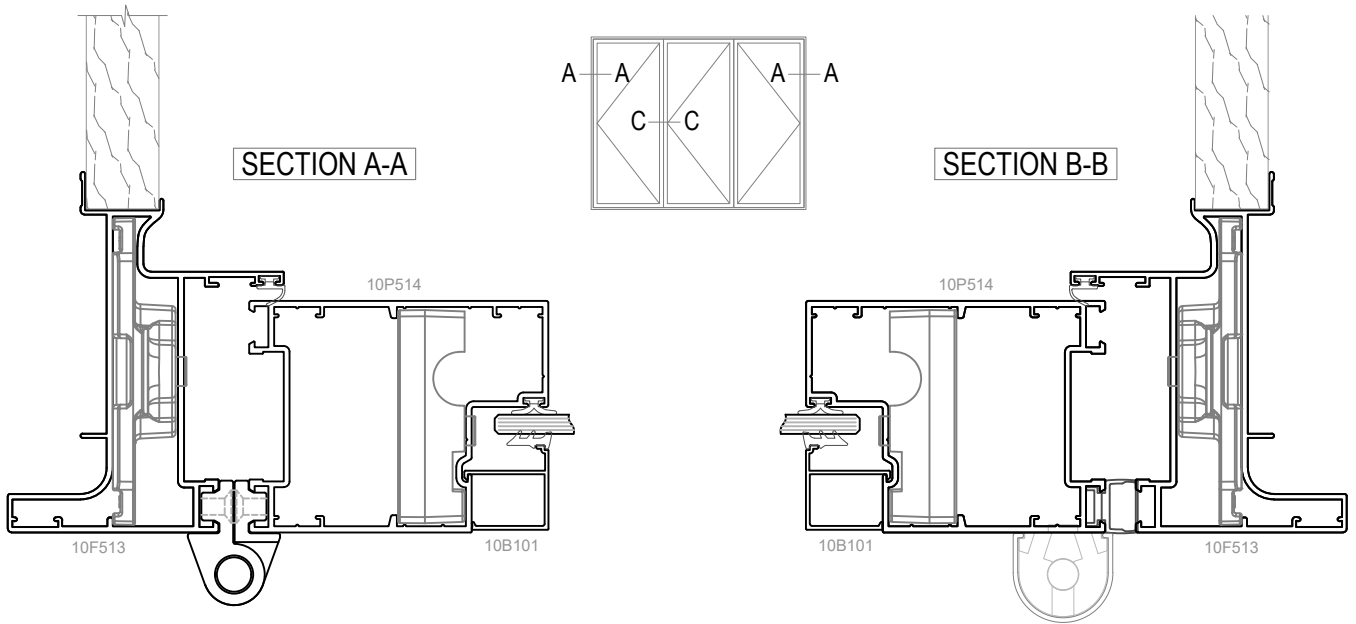


HINGED DOOR

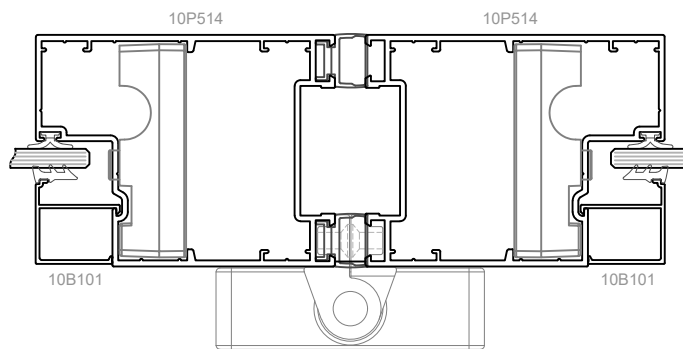


SECTION A-A

BOTTOM ROLLING BI-FOLD DOOR

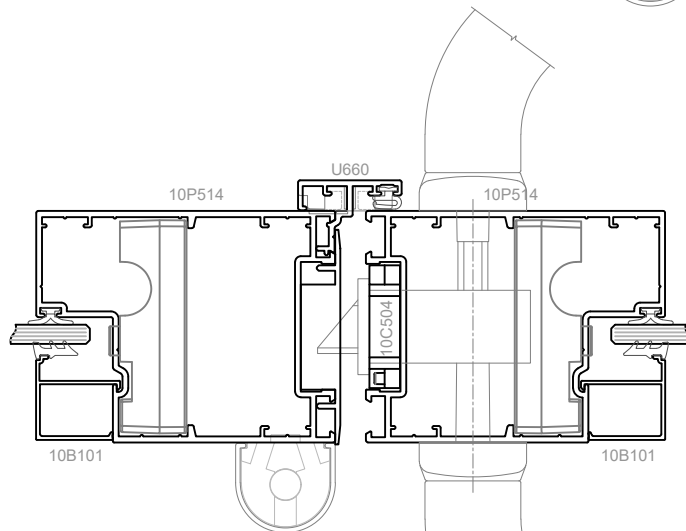
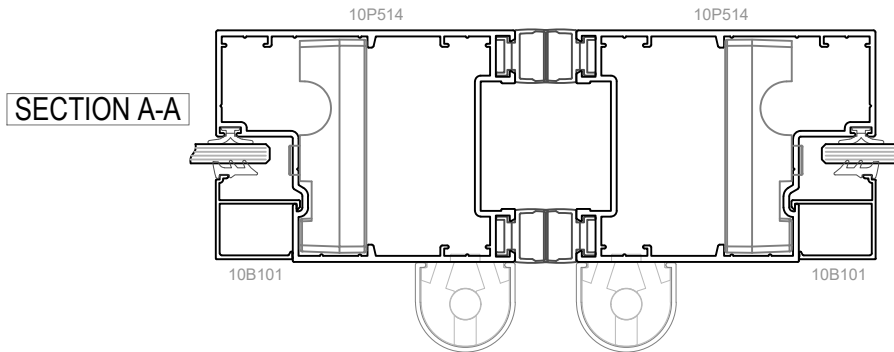
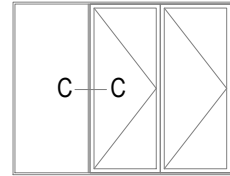
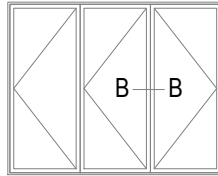
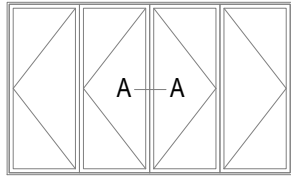


SECTION C-C

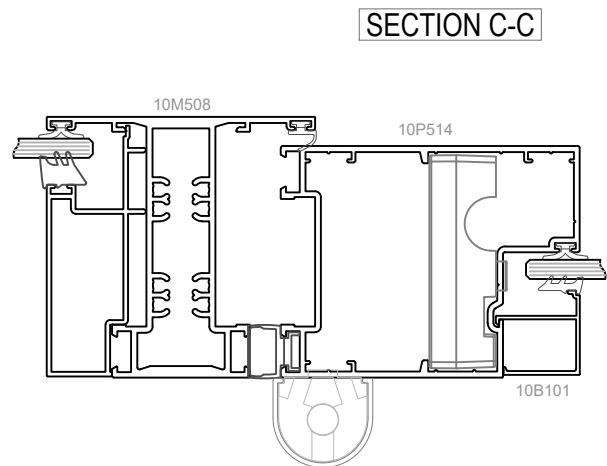


SECTION D-D

BOTTOM ROLLING BI-FOLD DOOR

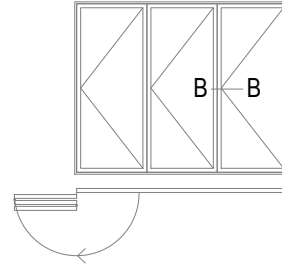
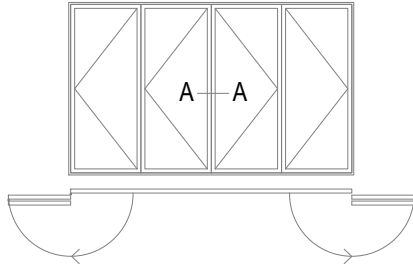


SECTION B-B

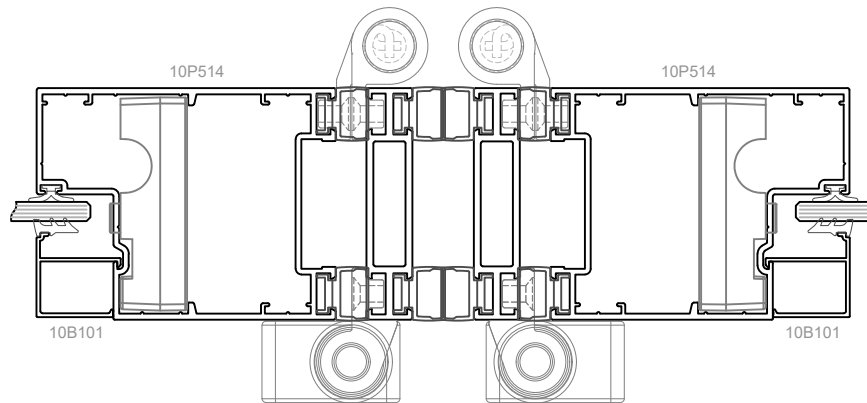


SECTION C-C

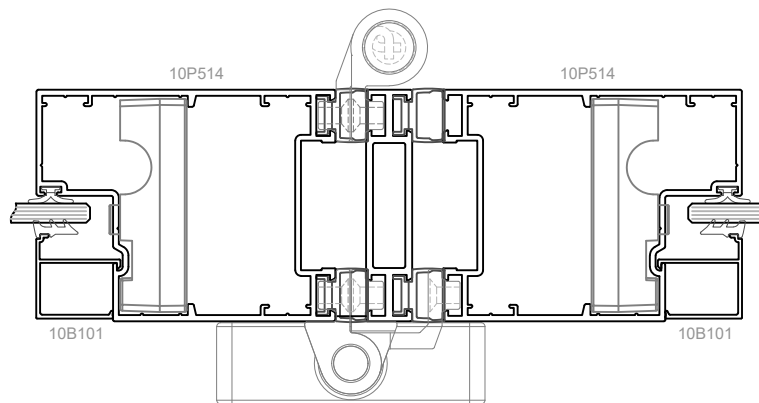
BOTTOM ROLLING BI-FOLD DOOR



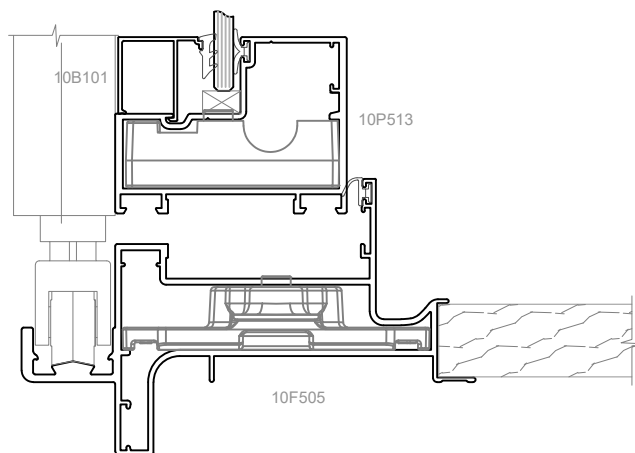
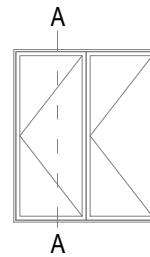
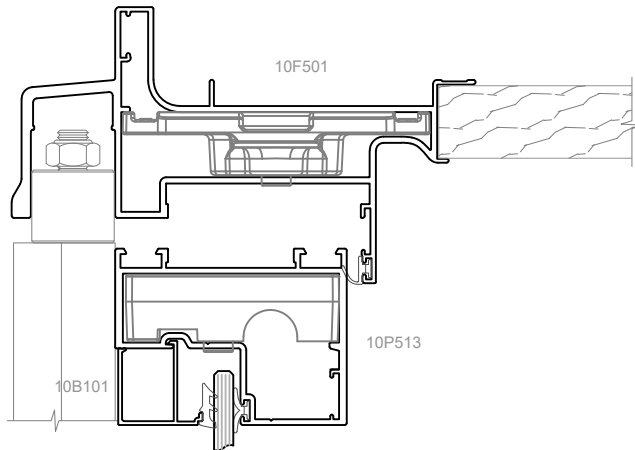
SECTION A-A



SECTION B-B

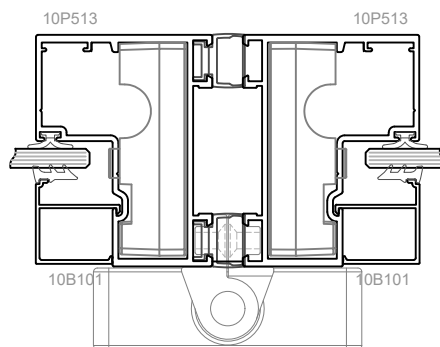
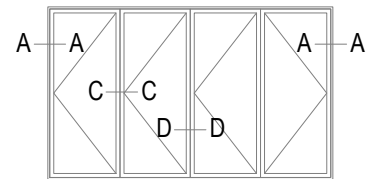
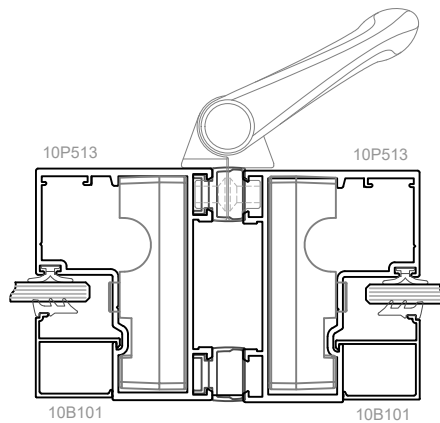
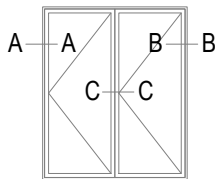
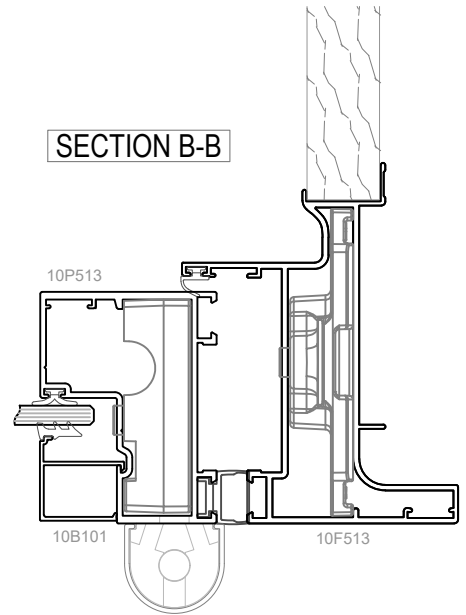
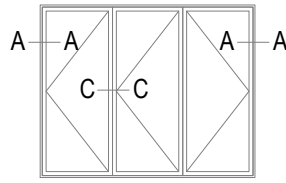
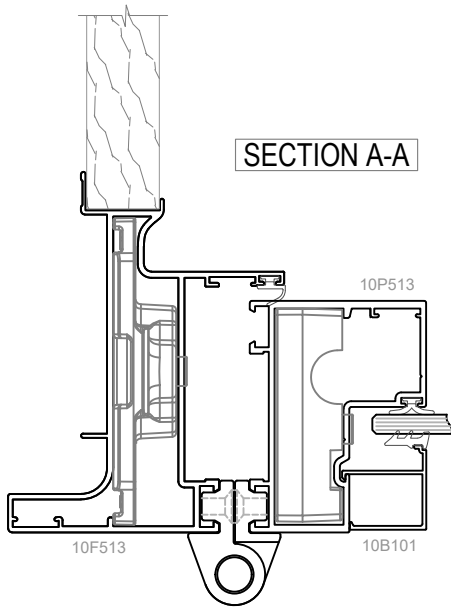


BOTTOM ROLLING BI-FOLD DOOR - FREEFOLD



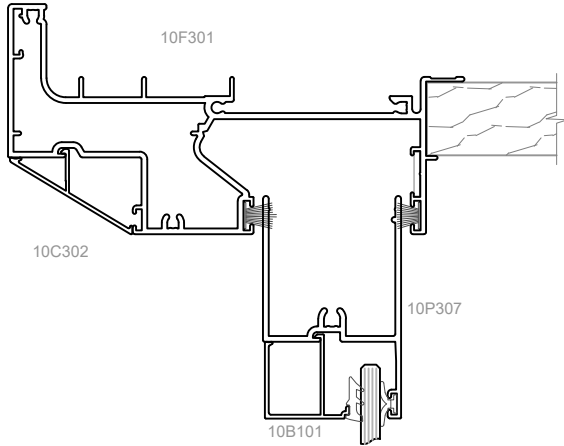
SECTION A-A

BI-FOLD WINDOW

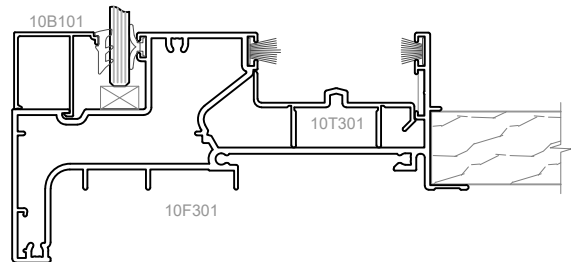
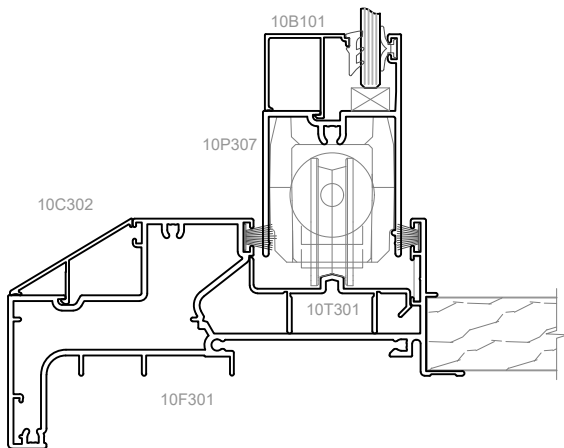
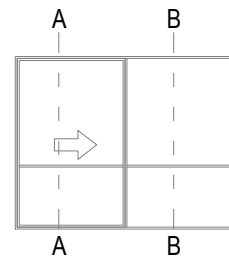
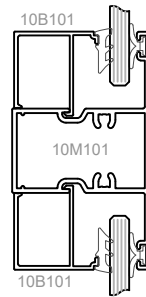
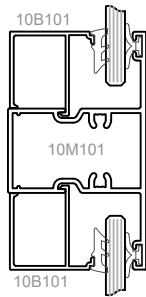
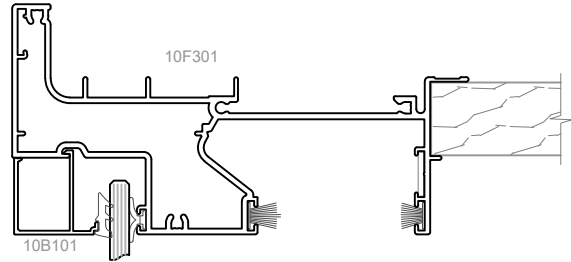


BI-FOLD WINDOW

SECTION A-A

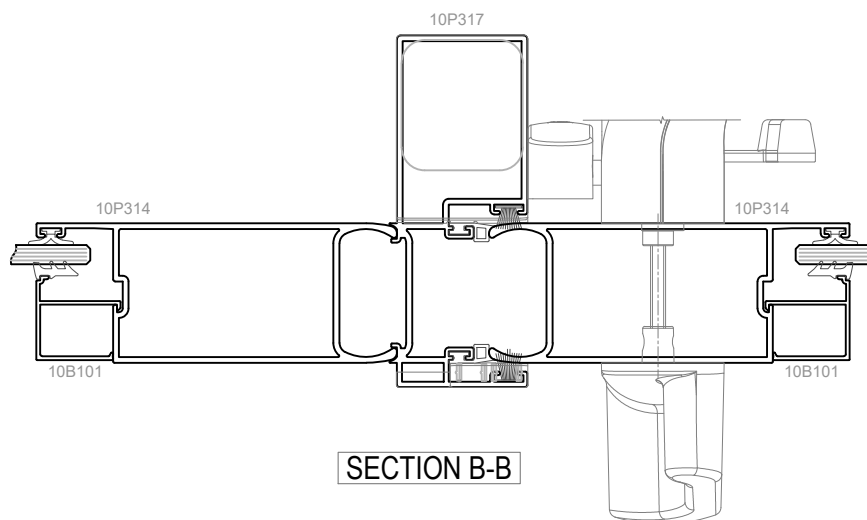
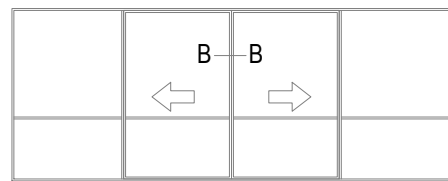
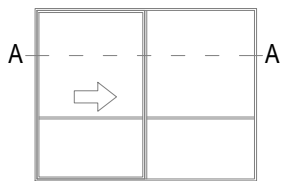
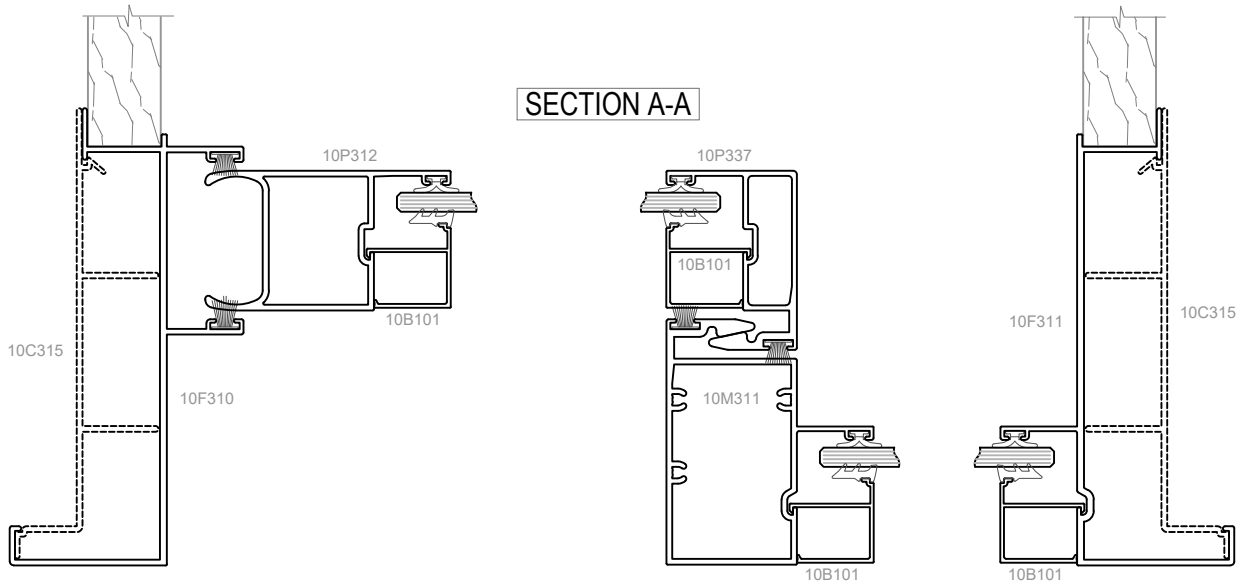


SECTION B-B

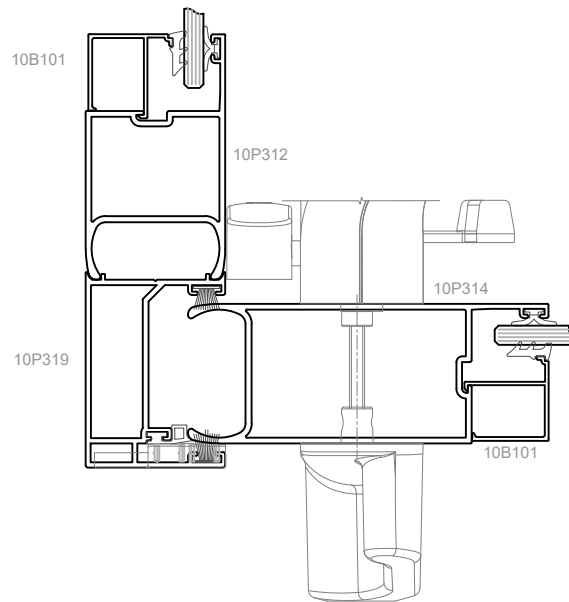
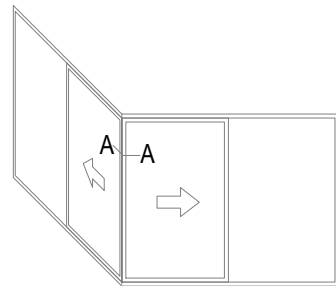


SLIDING DOOR - SQUARE CUT



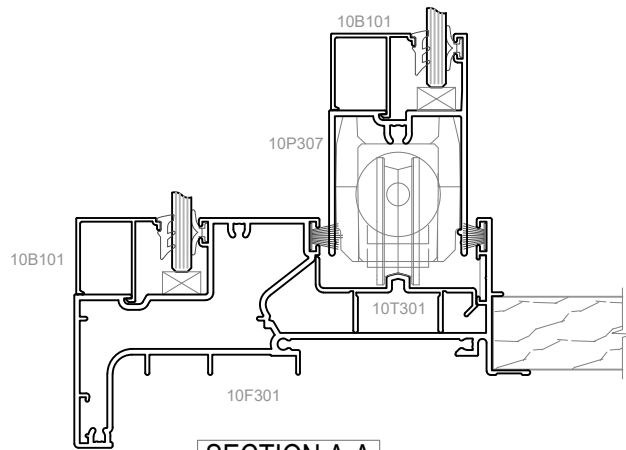
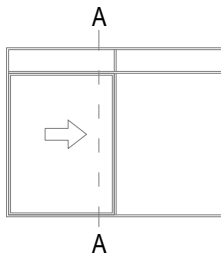
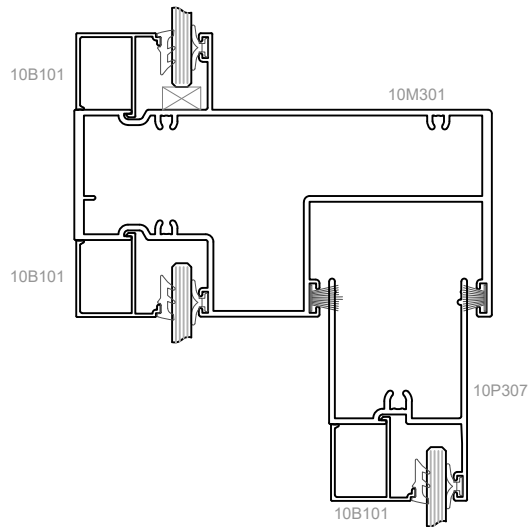
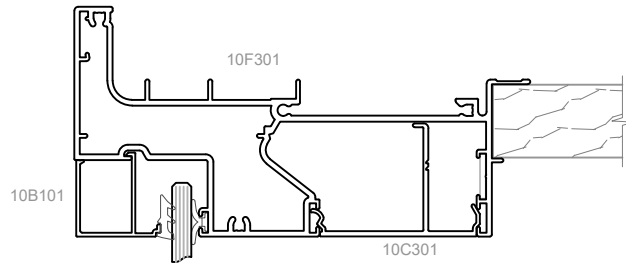


SLIDING DOOR - SQUARE CUT



SECTION A-A

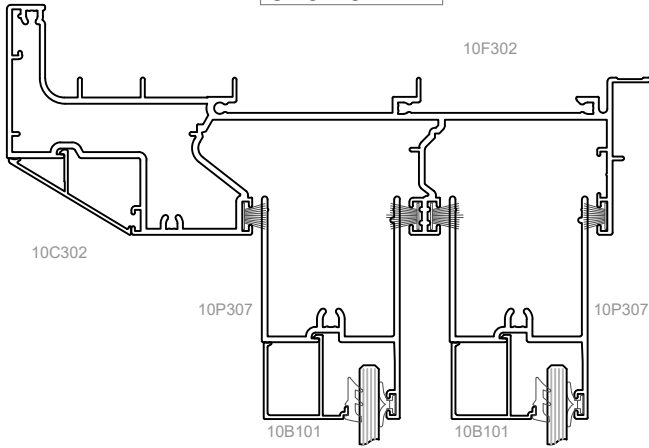
SLIDING DOOR - SQUARE CUT



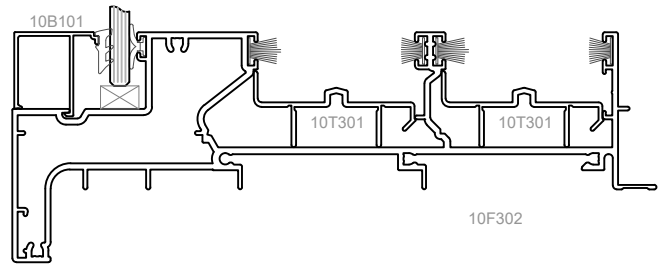
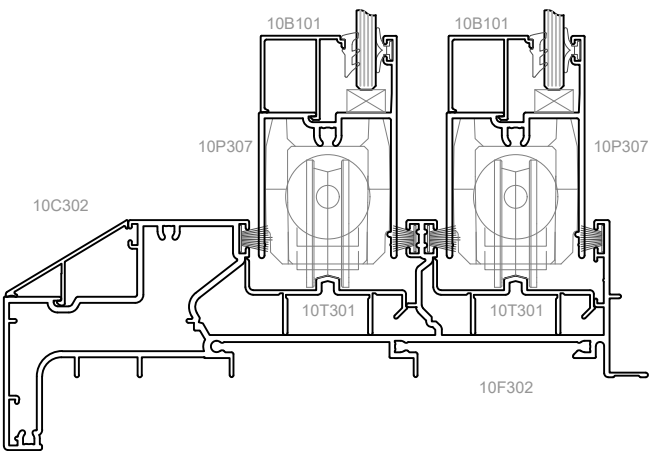
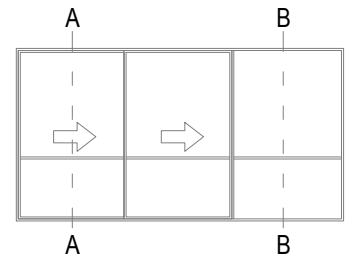
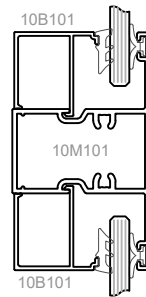
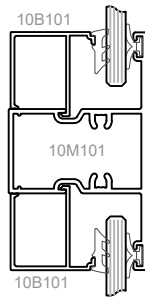
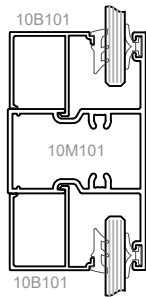
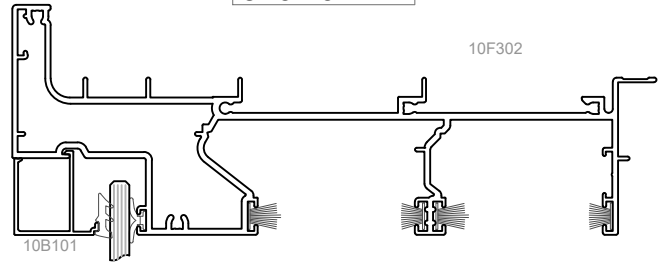
SECTION A-A

SLIDING DOOR - SQUARE CUT

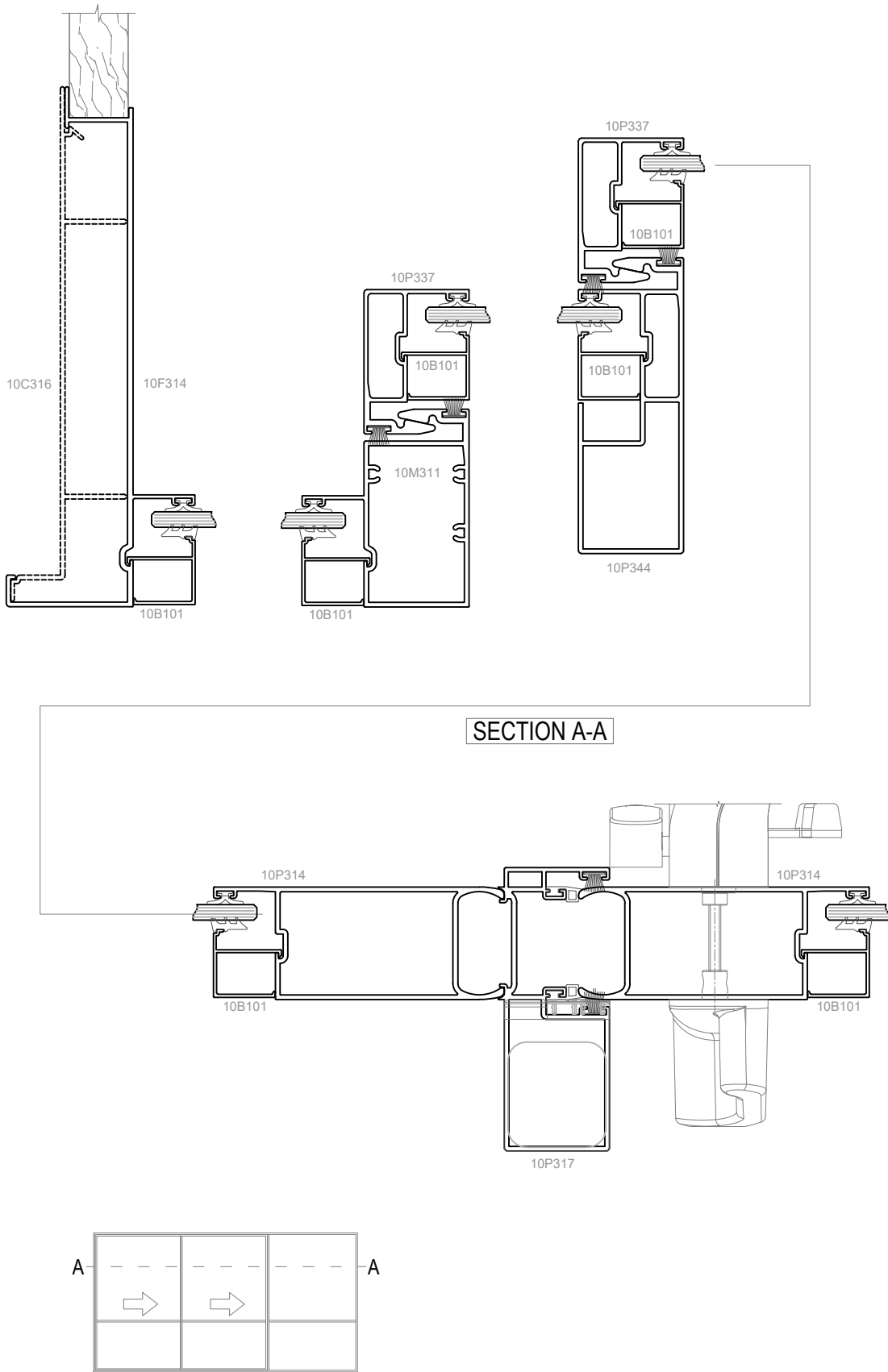
SECTION A-A



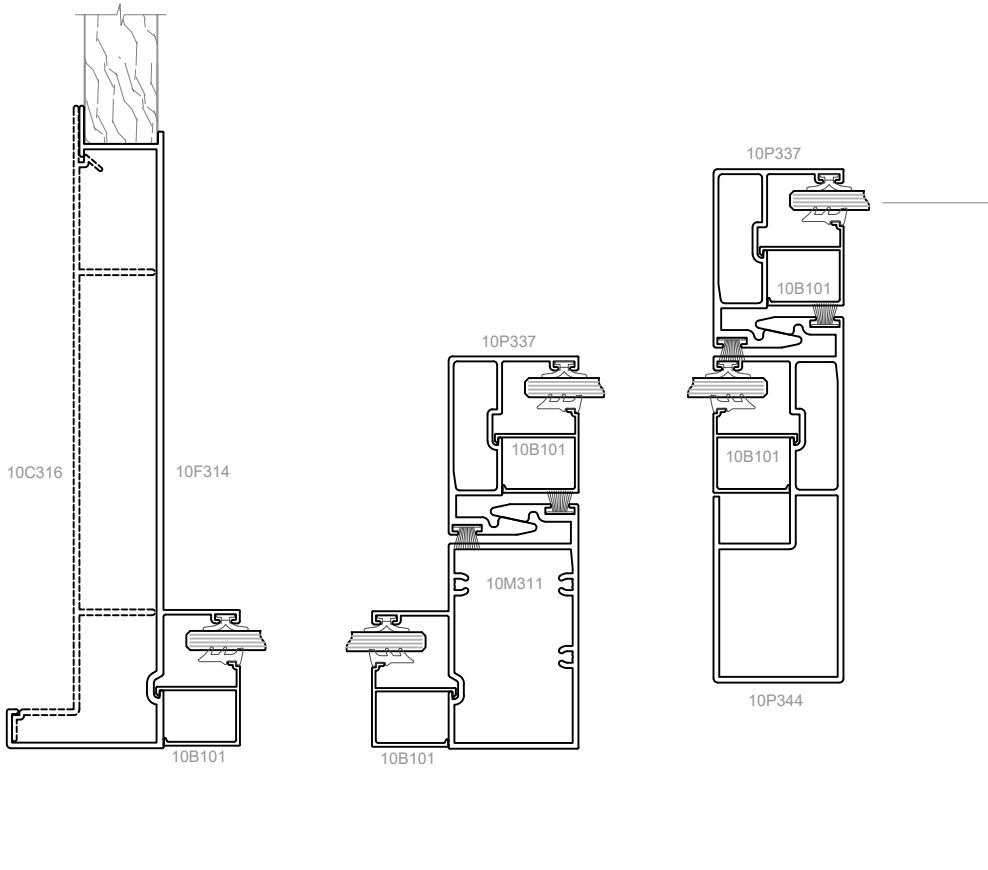
SECTION B-B



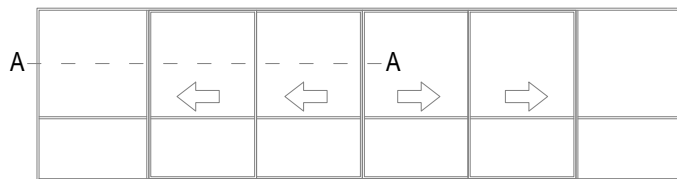
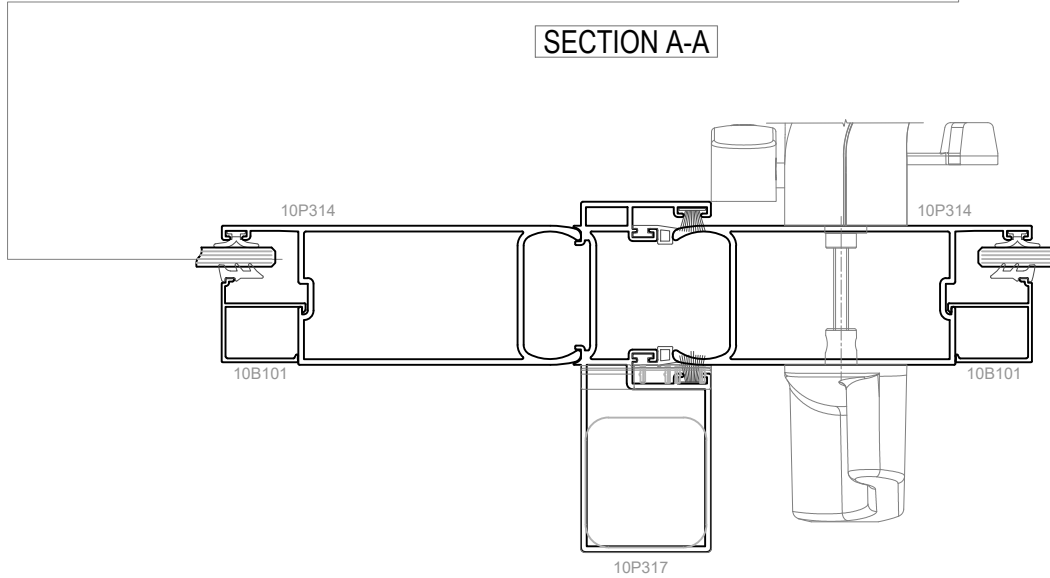
STACKING DOOR - SQUARE CUT



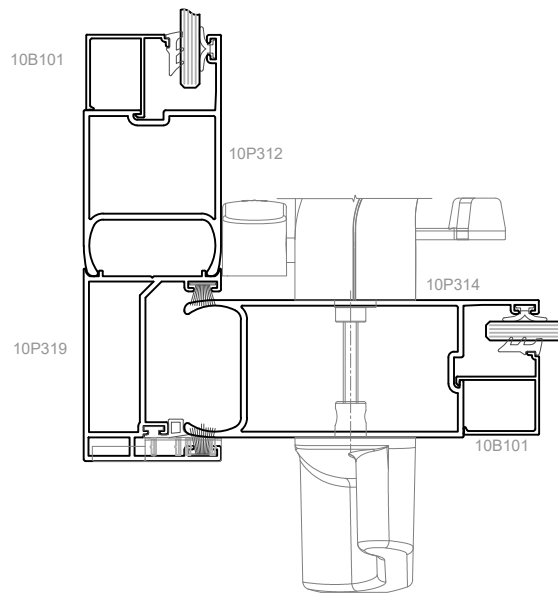
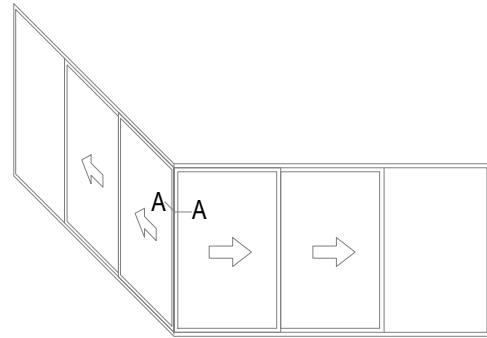
STACKING DOOR - SQUARE CUT



SECTION A-A

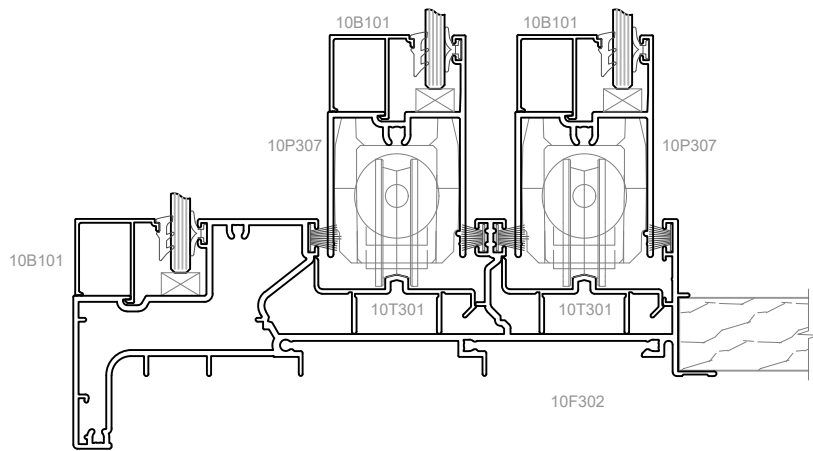
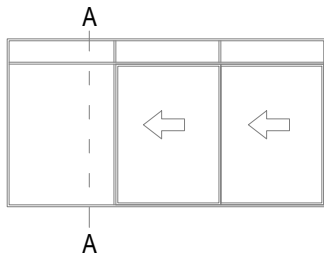
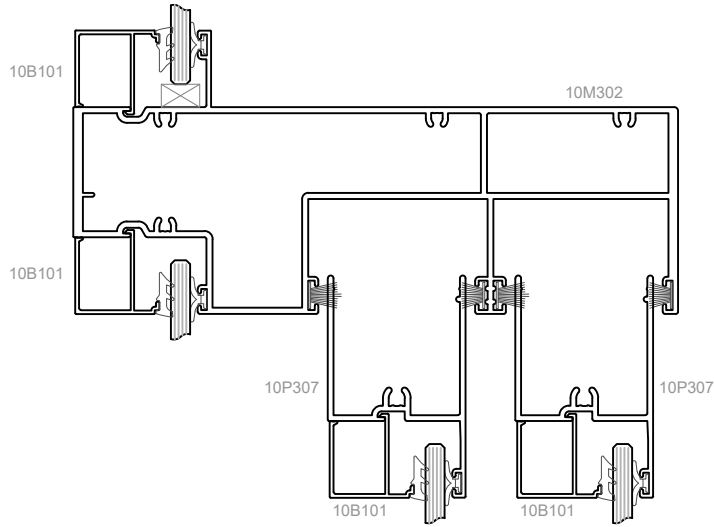
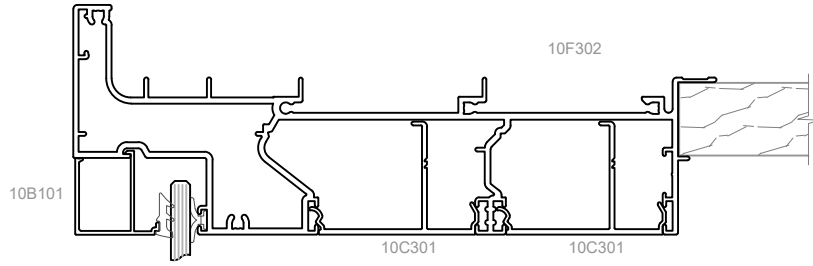


STACKING DOOR - SQUARE CUT



SECTION A-A

STACKING DOOR - SQUARE CUT



SECTION A-A

STACKING DOOR - SQUARE CUT