

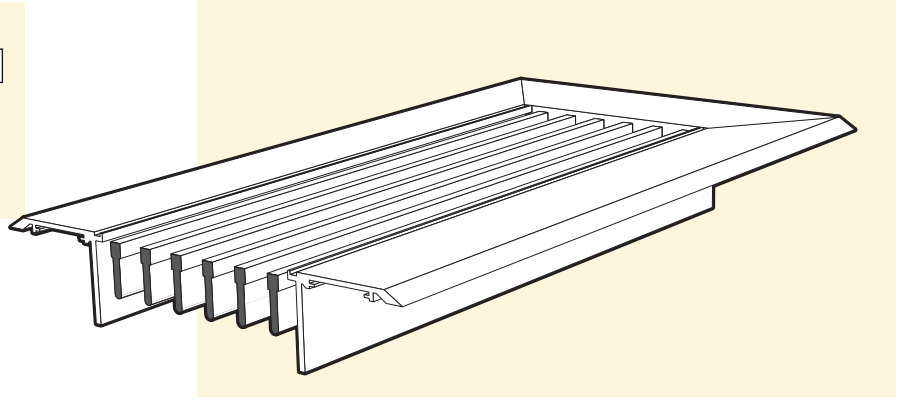
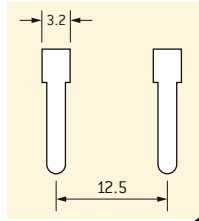
LD – Selection Data

Model: **LD-1200**

0° deflection

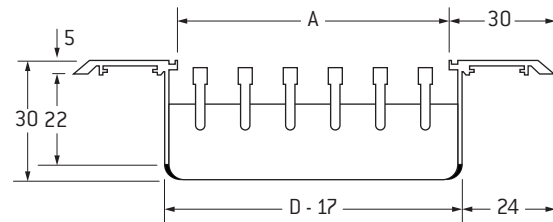
12.5mm spacing

3.2mm louver



Dimensions

D	A	Number of Bars
Listed Size	Opening	
50.0	21.0	2
62.5	33.5	3
75.0	46.0	4
87.5	58.5	5
100.0	71.0	6
125.0	96.0	8
150.0	121.0	10



The same basic extruded design as LD-600 Linear Diffuser except that the 3.2mm x 16mm fixed bar-type louvers are spaced on 12.5mm centres.

Ideal for applications where greater capacity is needed and more free area is desired.

Use as supply or return. Equally efficient for heating, cooling, ventilating.

The LD 1200 is available with alternate frame types, refer to page 51B.

When used with the PMF System, see notes on page 68B.

Not suitable for floor applications.

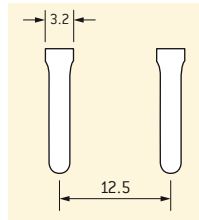
Size & Area m ² /m	Total Pressure	3	5	9	15	20	28	36	46	57
50mm	Flow m ³ /s/m	0.034	0.051	0.068	0.085	0.102	0.119	0.136	0.153	0.171
	NC	-	-	-	18	23	27	31	34	37
0.015	Throw, Sill or Floor	0.3-0.3	1.2-1.2	2.1-2.1	2.7-3.0	3.4-3.7	4.0-4.9	4.3-5.5	4.6-6.1	5.2-6.4
	Throw, Side Wall	0.9-2.1	1.5-3.7	2.1-4.9	2.7-6.1	3.4-7.0	4.0-7.9	4.3-8.5	4.6-9.2	5.2-10.0
62.5mm	Flow m ³ /s/m	0.047	0.068	0.091	0.115	0.138	0.161	0.183	0.206	0.229
	NC	-	-	-	17	22	26	30	33	36
0.020	Throw, Sill or Floor	0.3-0.3	1.5-1.5	2.7-2.7	3.4-3.7	4.0-4.6	4.6-5.2	5.2-6.4	6.1-7.0	7.0-7.6
	Throw, Side Wall	1.2-2.4	1.8-4.0	2.7-5.2	3.4-6.4	4.0-7.3	4.6-8.6	5.2-9.5	6.1-10.7	7.0-11.9
75mm	Flow m ³ /s/m	0.059	0.09	0.119	0.149	0.178	0.208	0.239	0.268	0.298
	NC	-	-	-	17	22	26	30	33	36
0.027	Throw, Sill or Floor	0.6-0.6	2.1-2.1	3.0-3.4	3.7-4.3	4.6-5.2	5.5-6.1	6.1-7.0	7.0-7.6	7.6-7.9
	Throw, Side Wall	1.5-3.0	2.1-5.2	3.0-5.8	3.7-7.0	4.6-7.9	5.5-9.2	6.1-10.4	7.0-11.6	7.6-12.5
87.5mm	Flow m ³ /s/m	0.071	0.107	0.144	0.180	0.215	0.251	0.289	0.342	0.360
	NC	-	-	-	17	22	26	30	33	36
0.034	Throw, Sill or Floor	0.9-0.9	2.4-2.4	3.7-3.7	4.6-4.9	5.5-6.1	6.1-7.0	7.0-7.6	7.6-8.2	8.8-8.8
	Throw, Side Wall	1.5-3.9	2.7-4.9	3.7-6.1	4.6-7.6	5.5-8.6	6.1-9.8	7.0-11.0	7.6-12.2	8.8-13.4
100mm	Flow m ³ /s/m	0.087	0.129	0.172	0.215	0.259	0.302	0.344	0.388	0.431
	NC	-	-	-	18	23	27	31	34	37
0.040	Throw, Sill or Floor	0.9-0.9	2.7-2.7	4.0-4.0	4.9-5.2	6.1-6.4	6.7-7.3	7.3-7.9	8.2-8.2	9.2-9.2
	Throw, Side Wall	1.8-3.4	3.0-5.2	4.0-6.4	4.9-7.6	6.1-9.2	6.7-10.4	7.3-11.3	8.5-12.8	9.5-13.7
125mm	Flow m ³ /s/m	0.112	0.166	0.222	0.277	0.333	0.388	0.443	0.499	0.555
	NC	-	-	-	18	23	27	31	34	37
0.053	Throw, Sill or Floor	1.2-1.2	3.0-3.0	4.3-4.3	5.5-5.5	6.7-7.0	7.3-7.3	8.2-8.5	9.2-9.5	9.8-9.8
	Throw, Side Wall	2.4-4.0	3.4-5.5	4.6-7.0	5.5-8.2	6.7-9.8	7.3-11.0	8.2-12.2	9.2-13.4	10.4-14.6
150mm	Flow m ³ /s/m	0.136	0.206	0.274	0.343	0.411	0.481	0.549	0.617	0.685
	NC	-	-	-	19	24	28	32	35	38
0.066	Throw, Sill or Floor	1.5-1.5	3.0-3.0	4.6-4.6	5.5-5.5	7.0-7.0	7.6-7.6	8.5-8.5	9.5-9.5	9.8-9.8
	Throw, Side Wall	2.7-4.6	4.0-6.1	4.9-7.3	6.1-8.8	7.3-10.4	8.5-11.9	9.2-12.5	10.4-14.0	11.6-15.3

Guide Product Weights

Model	Approximate Weight in Kg per metre x 150mm
LD 1200	2.04

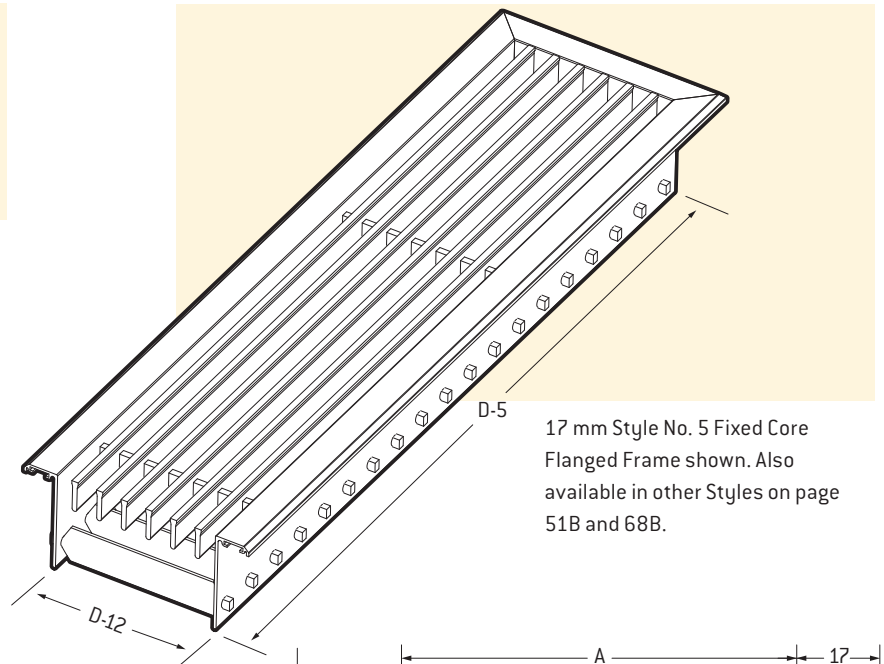
Model: LD-1200SD

0° deflection - front blades
 0° - 45° deflection - rear blades
 12.5mm spacing
 3.2mm louver



Dimensions

D	A	Number of Bars
Listed Size	Opening	
50	30	2
75	55	4
100	80	6
125	105	8
150	130	10
200	180	14
250	230	18
300	280	22
350	330	26



17 mm Style No. 5 Fixed Core Flanged Frame shown. Also available in other Styles on page 51B and 68B.

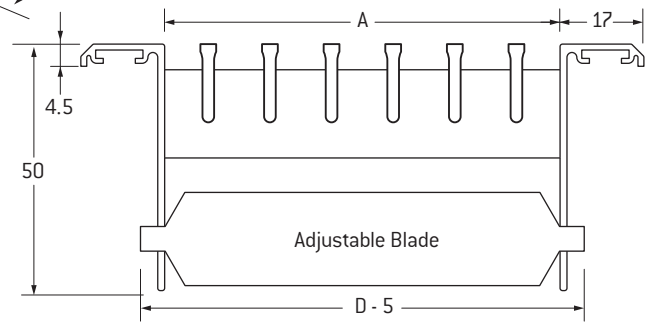
Ideal for apartment and hotel rooms this Linear Bar Grille has fixed blades at the front and adjustable blades behind allowing the supply air to be directed horizontally.

The narrow frame and fixed front blades (3.2mm x 16mm) on 12.5mm centres make this an attractive and versatile diffuser.

The LDSD is available in any desired length and can also be supplied with alternative frame types including the PMF system.

When used with the PMF System, see notes on page 68B.

Not suitable for floor applications.



Size	Total Pressure Pa	0°	3	5	9	15	20	28	36	46	57
		22.5°	4	6	11	17	24	33	41	53	64
		45°	6	9	15	25	32	46	58	74	86
50 mm	Flow m ³ /s/m	0.050	0.071	0.091	0.120	0.136	0.165	0.182	0.205	0.227	
	NC	<15	<15	<15	<15	15	19	23	27	30	
	Throw, m	1.5-3.7	2.2-5.1	2.9-6.4	4-7.9	4.3-8.5	5-9.7	5.6-10.5	6.3-11.5	7.1-12.5	
100 mm	Flow m ³ /s/m	0.107	0.129	0.176	0.218	0.255	0.298	0.337	0.392	0.423	
	NC	-	-	-	18	23	27	31	34	37	
	Throw, m	2.4-4.3	3.0-5.2	4.1-6.5	5.0-7.7	6.0-9.1	6.6-10.3	7.2-11.2	8.6-12.9	9.3-13.5	
150 mm	Flow m ³ /s/m	0.143	0.190	0.242	0.312	0.359	0.415	0.466	0.528	0.592	
	NC	-	-	-	18	23	26	31	34	37	
	Throw, m	2.8-4.8	3.7-5.8	4.5-6.7	5.6-8.1	6.4-9.2	7.4-10.5	8.2-11.6	9.0-12.3	10-13.4	
200 mm	Flow m ³ /s/m	0.213	0.261	0.336	0.428	0.480	0.536	0.647	0.784	0.846	
	NC	-	-	-	19	23	27	32	35	38	
	Throw, m	2.9-4.9	3.7-8.2	5.4-8.6	6.7-11.4	7.7-12.9	8.9-14.8	9.8-16.4	10.8-17.3	12-18.9	
250 mm	Flow m ³ /s/m	0.245	0.328	0.386	0.468	0.578	0.656	0.739	0.862	0.929	
	NC	-	-	-	19	23	27	32	35	38	
	Throw, m	2.8-5.3	4.5-8.3	5.2-8.5	5.8-10.3	7.2-12.7	8.1-14.4	9.2-16.3	10.7-19.0	11.5-20.5	
300 mm	Flow m ³ /s/m	0.251	0.352	0.490	0.632	0.718	0.830	0.932	1.056	1.184	
	NC	-	-	-	20	24	28	33	36	38	
	Throw, m	2.4-5.6	4.4-8.4	6.6-8.6	8.5-11.1	9.7-12.6	11.2-14.6	12.6-16.4	14.2-18.5	15.9-20.8	
350 mm	Flow m ³ /s/m	0.350	0.471	0.572	0.806	0.923	1.078	1.216	1.411	1.526	
	NC	-	-	-	20	24	28	33	36	38	
	Throw, m	2.9-6.7	5.9-8.6	6.9-10.0	9.7-14.1	11.1-16.2	13-18.9	14.6-21.3	17-24.8	18.4-26.8	

Note

- For deflection settings of 22.5 and 45 degrees, increase the stated sound levels by 1 and 7 NC respectively.
- For deflection settings of 22.5 and 45 degrees, decrease the stated throws to 80% and 50% respectively. Refer to page 202E.

Guide Product Weights	
Model	Approximate Weight in Kg per metre x 150mm
LD 1200SD	2.51