

Plan 37575PM

Glass Vice® Clearline®

13.5mm Laminated

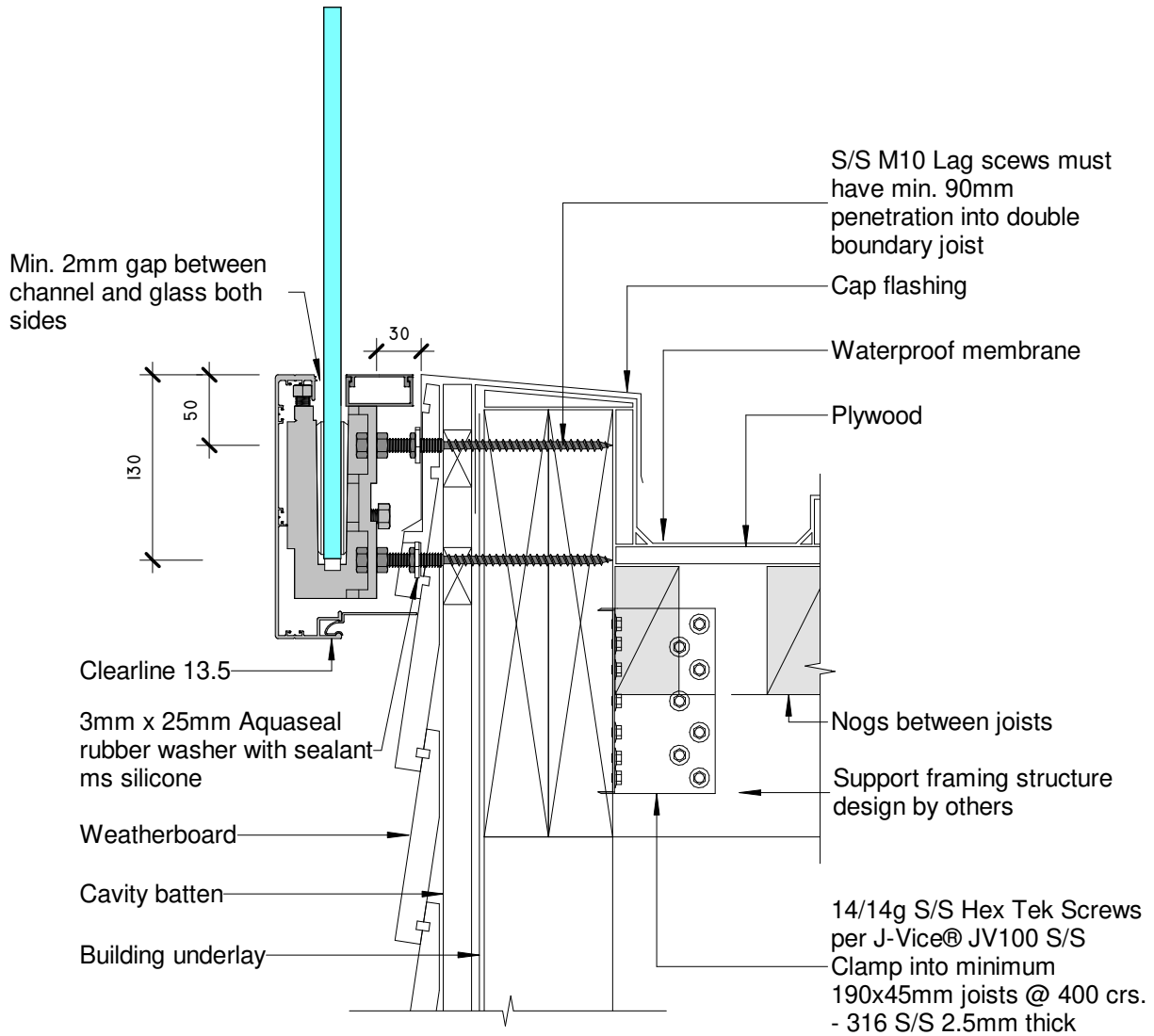
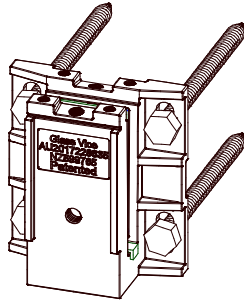
Frameless

Date: December 2019
 Scale: 1 : 25

www.glassvice.com
 Phone +64 9 414 6565
 info@glassvice.com

CAD Based Details

Quick Code **GV GV13-5 1300**



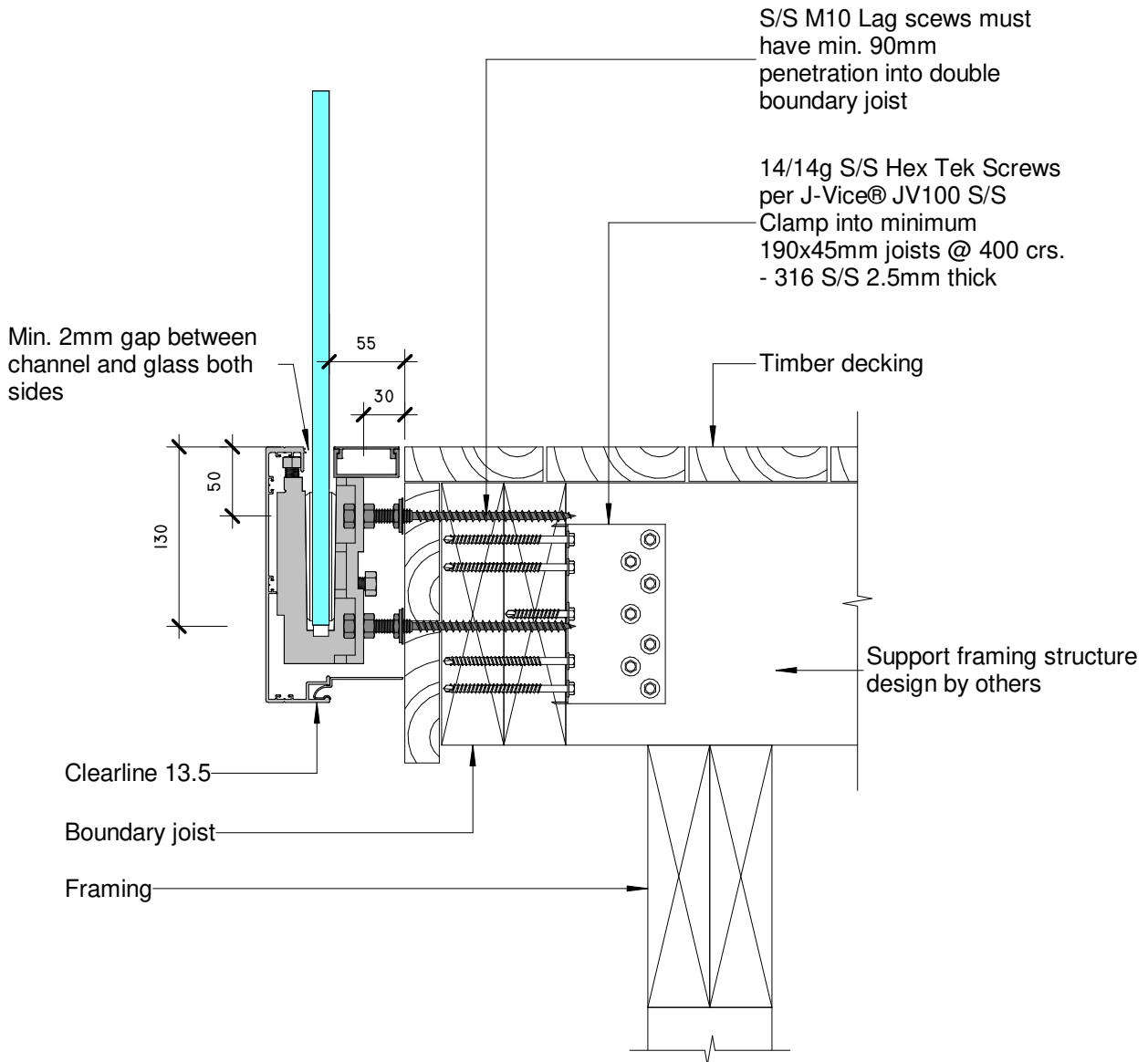
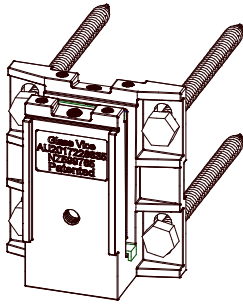
Glass Vice® Clearline®

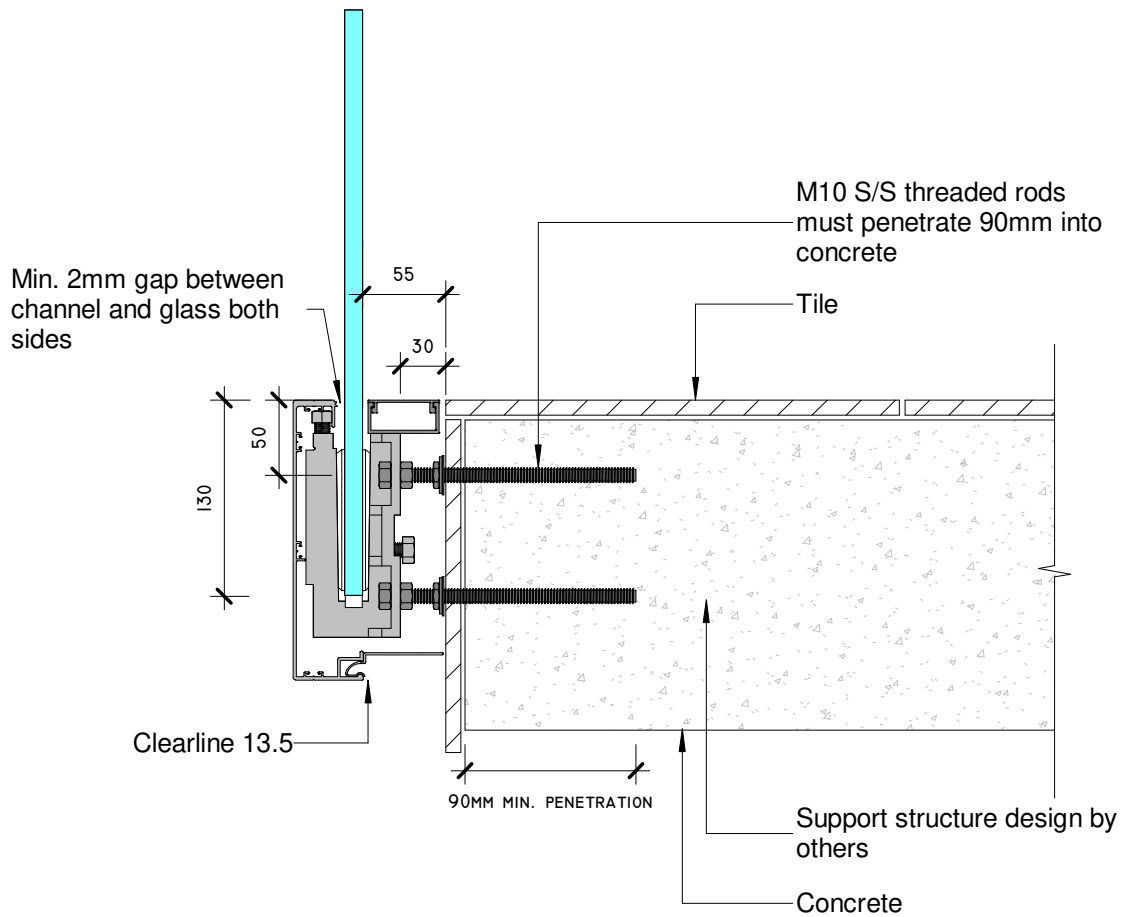
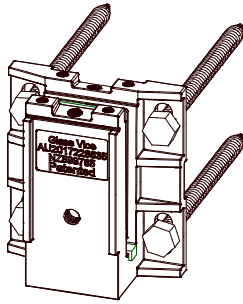
13.5mm Laminated

Weatherboard

Date: December 2019 www.glassvice.com
 Scale: 1 : 5 Phone +64 9 414 6565
 CAD Based Details info@glassvice.com

Quick Code: **GV_GV13-5_1310**





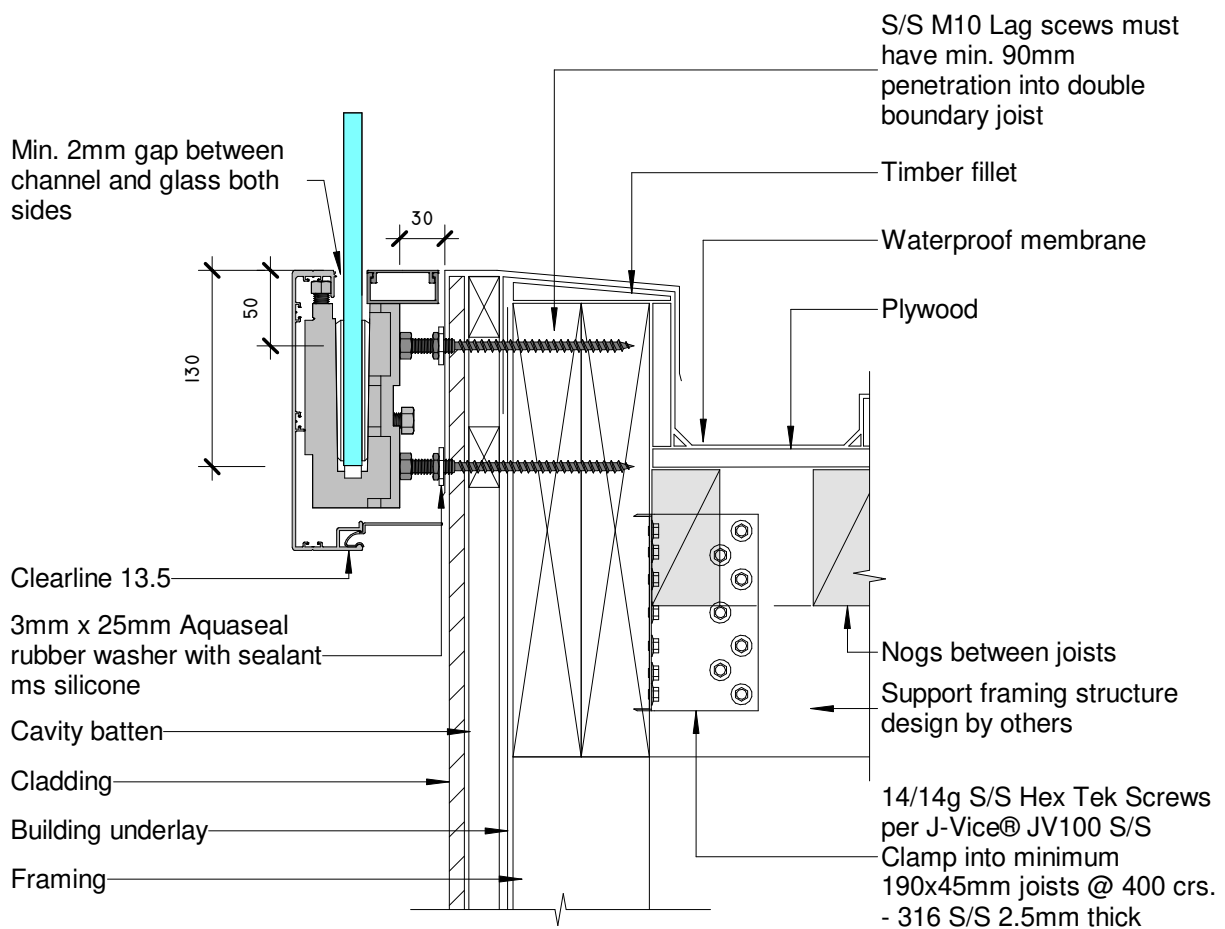
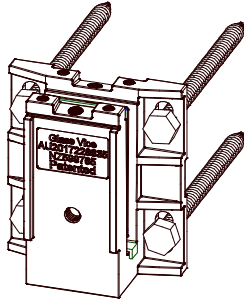
Glass Vice® Clearline®

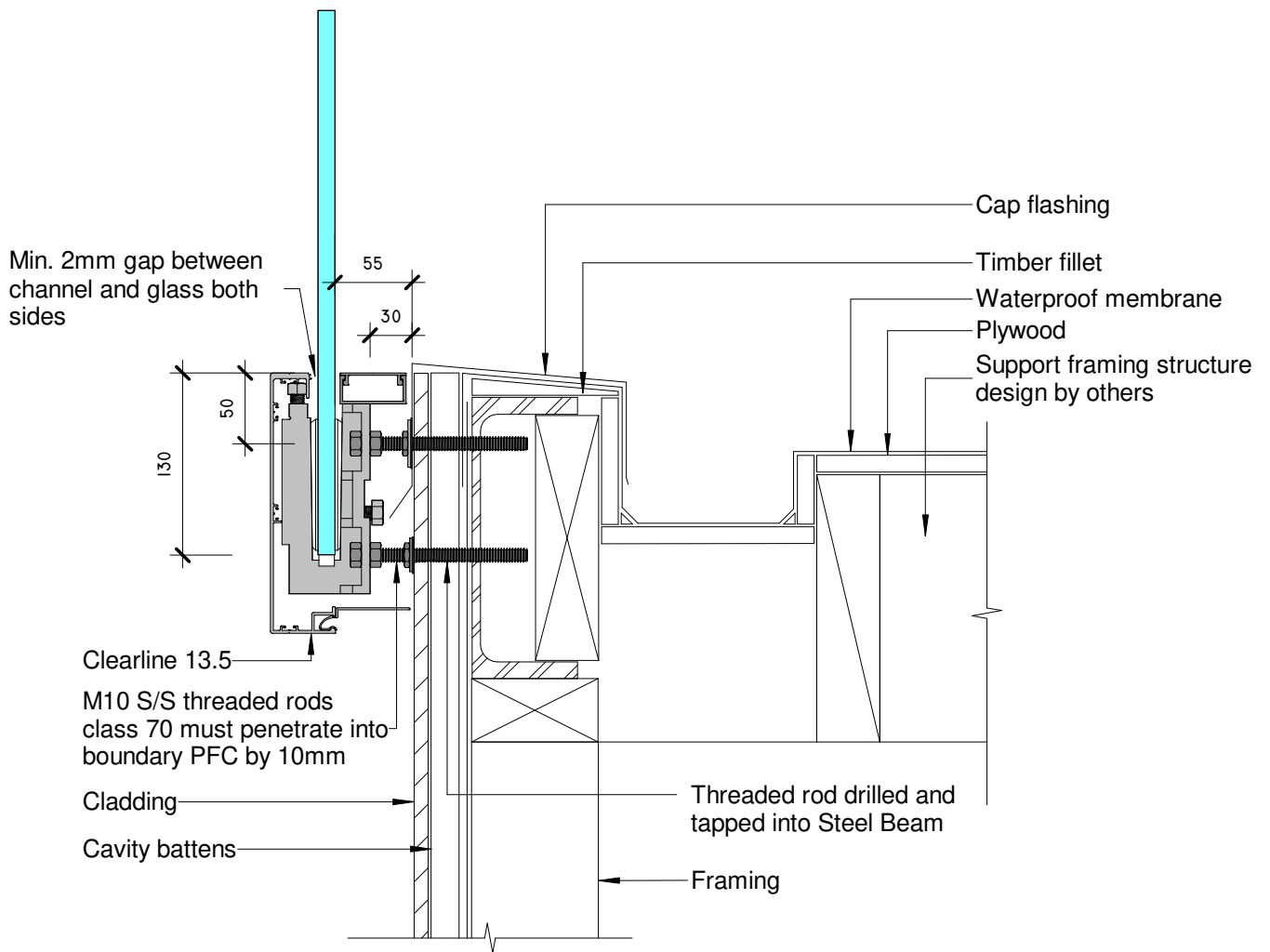
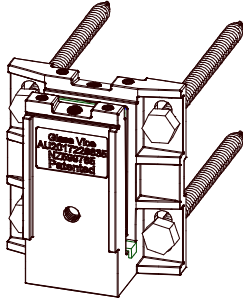
13.5mm Laminated

Concrete

Date: December 2019 www.glassvice.com
 Scale: 1 : 5 Phone +64 9 414 6565
 CAD Based Details info@glassvice.com

Quick Code: **GV_GV13-5_1330**





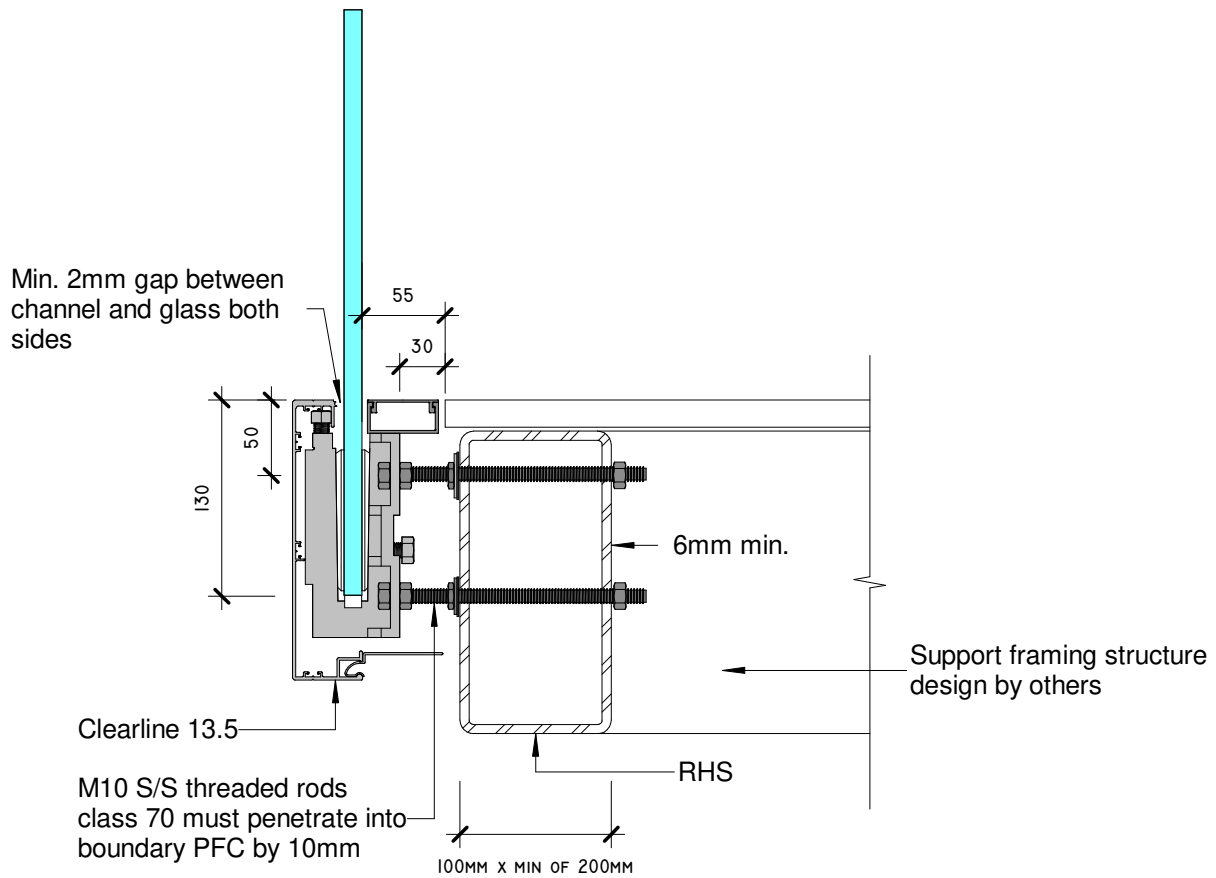
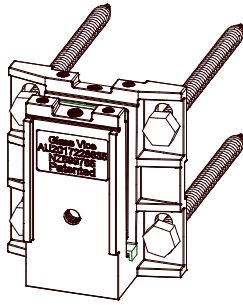
Glass Vice® Clearline®

13.5mm Laminated

Sheet Cladding

Date: December 2019 www.glassvice.com
 Scale: 1 : 5 Phone +64 9 414 6565
 CAD Based Details info@glassvice.com

Quick Code: **GV_GV13-5_1350**



Steel members to be designed by Engineer CPEng.
 Spacing limited by glass capacity - refer to PS1 certificates