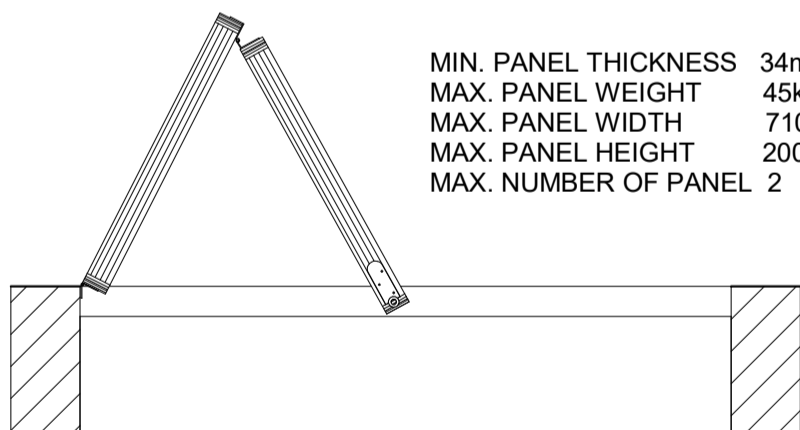
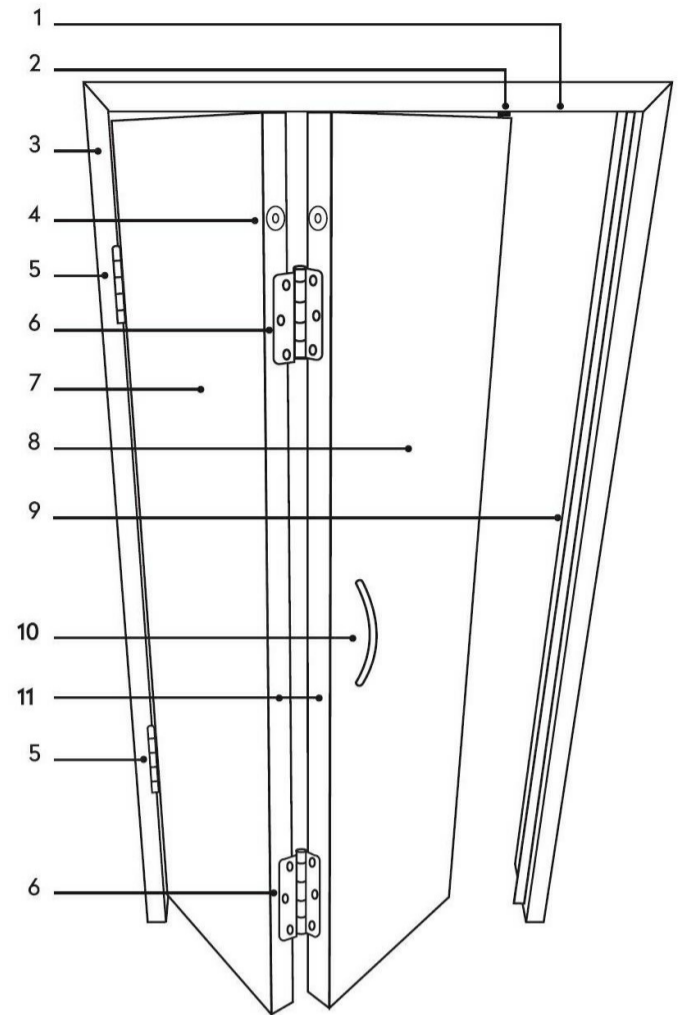


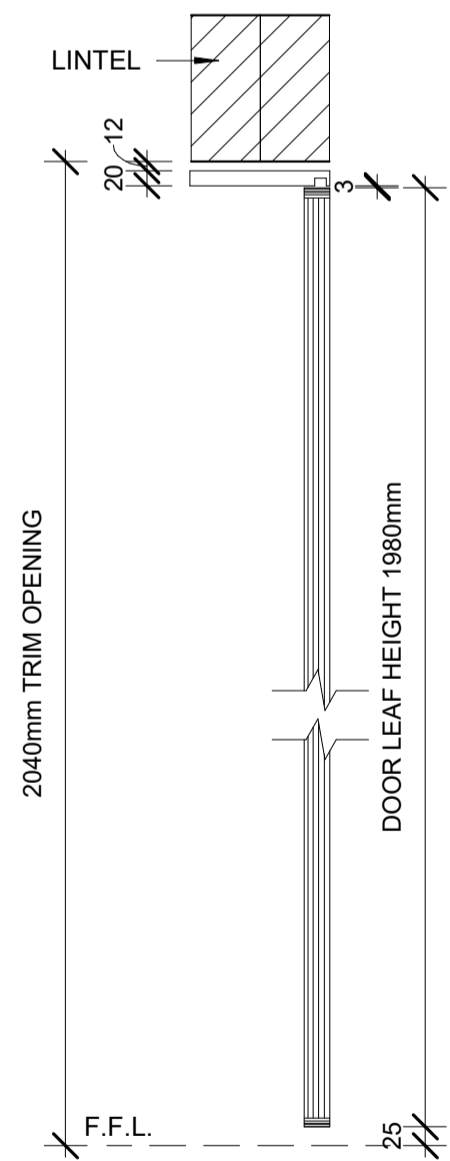
1 FRONT VIEW\_2 Panel  
1 : 10

1. HEADER/ REBATED ALUMINUM GUIDE CHANNEL
2. GUIDE WHEEL REBATED INTO TOP EDGE OF LEADING DOOR
3. DOOR JAMBS
4. MAGNETIC DOOR CLOSURES
5. STANDARD BUTT RADIUS HINGES 90 x 60mm
6. BI FOLD PAT. PEND. RADIUS HINGES 90 x 60mm
7. HINGED DOOR
8. LEADING DOOR
9. DOOR STOPS
10. PREFERRED POSITION FOR DOOR HANDLE FIXED TO LEADING DOOR 60mm FROM LEADING EDGE
11. CLOSING BEVELS



2 TOP VIEW\_2 Panel  
1 : 10

- MIN. PANEL THICKNESS 34mm
- MAX. PANEL WEIGHT 45kg
- MAX. PANEL WIDTH 710mm
- MAX. PANEL HEIGHT 2000mm
- MAX. NUMBER OF PANEL 2



3 SIDE VIEW\_2 Panel  
1 : 10

**STANDARD SINGLE BI-FOLD DOOR CLEARANCES**

300mm > 400mm	3mm 3mm 6mm
400mm > 500mm	3mm 3mm 5mm
600mm > 700mm	3mm 3mm 4mm

PLEASE NOTE MEASUREMENTS ARE NOMINAL ONLY.  
PLEASE MEASURE PRODUCT ON SITE

ALL MEASUREMENT SHOWN IN MILLIMETERS

