

LCN 4040T SERIES "SUPER SMOOTHIE"

Cylinder Assemblies

4041T-3071	Cylinder Assembly	F
	<i>Includes screw pack (SRT is standard – please specify other)</i>	
	<i>Cylinder assembly is adjustable from size 1-4</i>	

Individual Cylinder Parts

Individual cylinder parts for 4040T-3071

4040-159	Arm Screw	F
----------	-----------	---

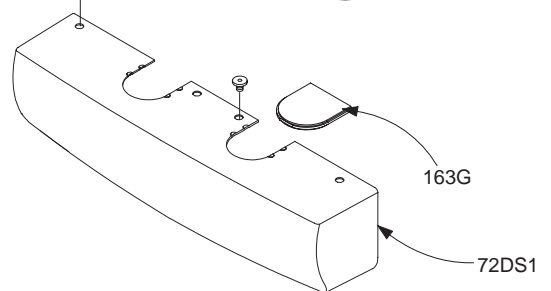
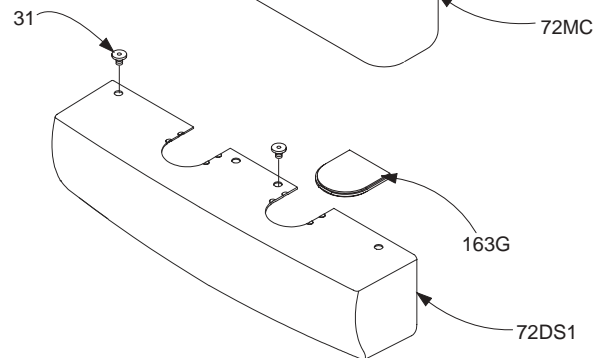
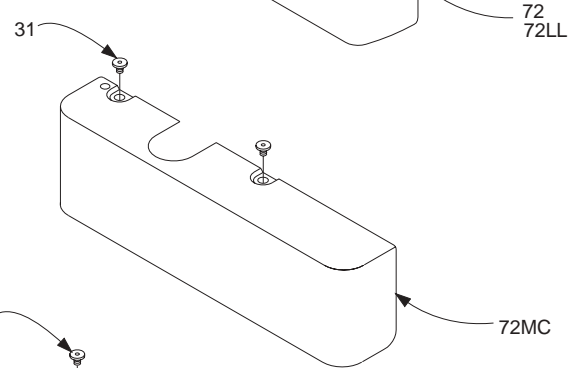
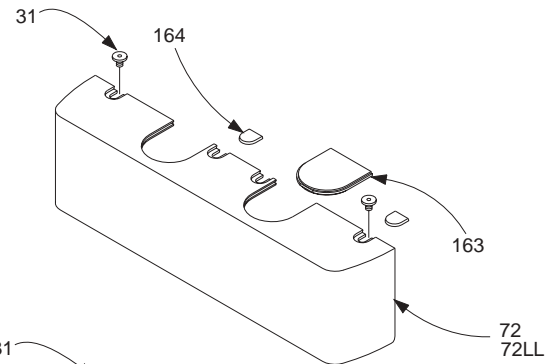
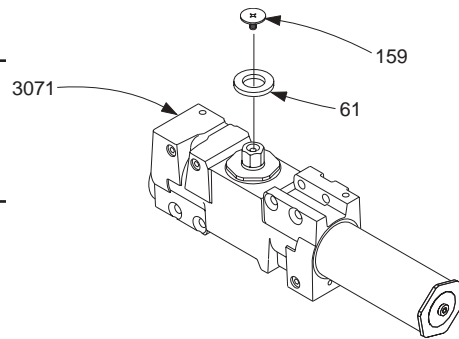
Covers

4040T-72	Standard Cover	F
	<i>Includes 4040T-31 (2), -163, & -164 (2)</i>	
4040T-72LL	Lead Lined Cover	F
	<i>Includes 4040T-31 (2), -163, & -164 (2)</i>	
4040T-72MC	Metal Cover	F, H
	<i>Includes 4040T-31 (2)</i>	
4040T-72DS1	Designer Series Metal Cover	F
	<i>Includes 4040T-31 (2), -163G</i>	

Individual Cover Parts

Individual cover parts for 4040T-72, -72DS1, -72LL, & -72MC

4040T-31	Cover Screw	F
4040T-61	Shaft Spacer	
4040T-163	Arm Insert	F
4040T-163G	Arm Insert (DS1)	F
4040T-164	Screw Insert	F



Please specify finish (F), size (S), hand (H), & voltage (V) where indicated. See the latest edition of the LCN Catalog for part descriptions and specifications on many of the items shown above. List prices for items shown above can be located in the current LCN Price List.

LCN 4040T SERIES "SUPER SMOOTHIE"

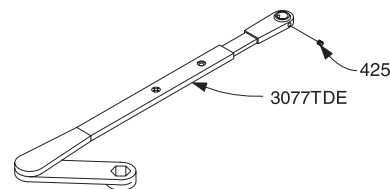
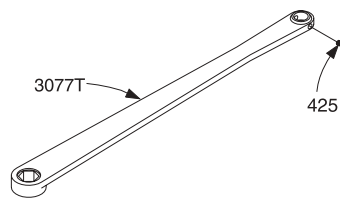
Complete Arm Assemblies

4040T-3077T	Standard Arm	F
	<i>Includes 4040T-159, & -425</i>	
4040T-3077DE	Double Egress Arm	F, H
	<i>Includes 4040T-78DE, -82, -83H, -159, & -425</i>	

Individual Arm Parts

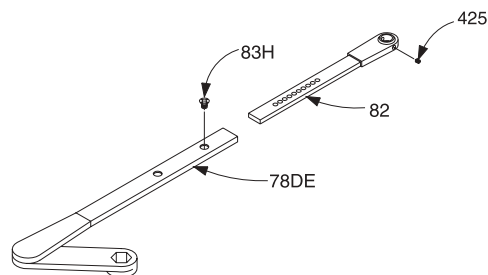
Individual arm parts for 4040T-3077T & -3077DE

4040T-78DE	Main Arm & Tube	F, H
	<i>Includes 4040T-159</i>	
4040T-82	Rod	F
	<i>Includes 4040T-83H</i>	
4040T-83H	H Arm Screw	F
4040T-159	Arm Screw	F
4040T-425	Roller Locking Screw	
4040T-3034	Track Roller	



Complete Track Assemblies

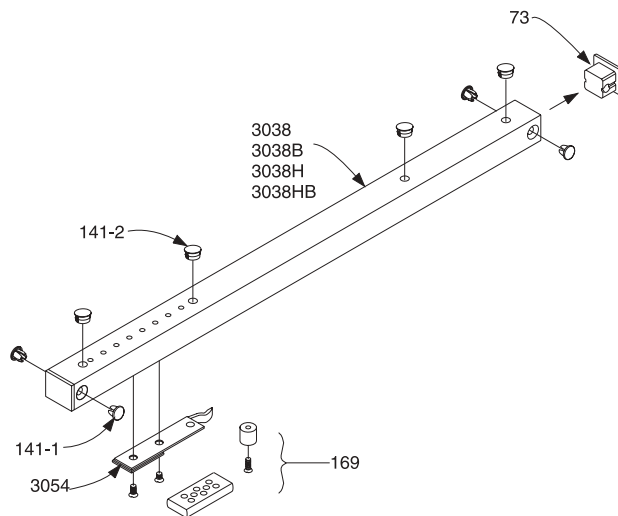
4040T-3038	Standard Track	F
	<i>Includes 4040T-73 (2), -141-1 (4) & 141-2 (4)</i>	
4040T-3038B	Standard Track w/Bumper	F
	<i>Includes 4040T-73 (2), -141-1(4), 141-2 (4) & -169</i>	
4040T-3038H	Standard Track w/Hold-Open	F
	<i>Includes 4040T-73 (2), -141-1(4), 141-2 (4) & -3054</i>	
4040T-3038HB	Standard Track w/Bump & HO	F
	<i>Includes 4040T-73 (2), -141-1 (4), 141-2 (4), -169, & -3054</i>	



Individual Track Parts

Individual track parts for 4040T-3038, -3038B, 3038H, & -3038HB

4040T-73	End Cap	
4040T-141-1	Track Plug	F
4040T-141-2	Track Plug	F
4040T-169	Bumper Assembly	
	<i>Includes post & mounting screws</i>	
4040T-3034	Track Roller	
4040T-3054	Hold-Open Spring Clip	
	<i>Includes mounting screws</i>	

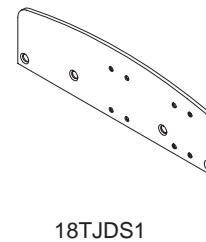
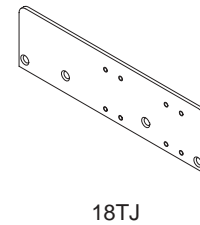
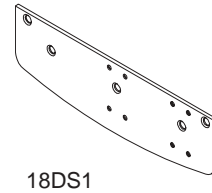
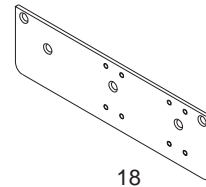


Please specify finish (F), size (S), hand (H), & voltage (V) where indicated. See the latest edition of the LCN Catalog for part descriptions and specifications on many of the items shown above. List prices for items shown above can be located in the current LCN Price List.

LCN 4040T SERIES "SUPER SMOOTHIE"

Mounting Plates

4040T-18	Mounting Plate	F
4040T-18TJ	Mounting Plate	F
4040T-18TJDS1	Mounting Plate	F
4040T-18DS1	Mounting Plate	F



Please specify finish (**F**), size (**S**), hand (**H**), & voltage (**V**) where indicated. See the latest edition of the LCN Catalog for part descriptions and specifications on many of the items shown above. List prices for items shown above can be located in the current LCN Price List.

LCN 4040T SERIES "SUPER SMOOTHIE"

Please specify finish **(F)**, size **(S)**, hand **(H)**, & voltage **(V)** where indicated. See the latest edition of the LCN Catalog for part descriptions and specifications on many of the items shown above. List prices for items shown above can be located in the current LCN Price List.