

BOND Tile (Figure 1)

[All Dimensions Nominal]

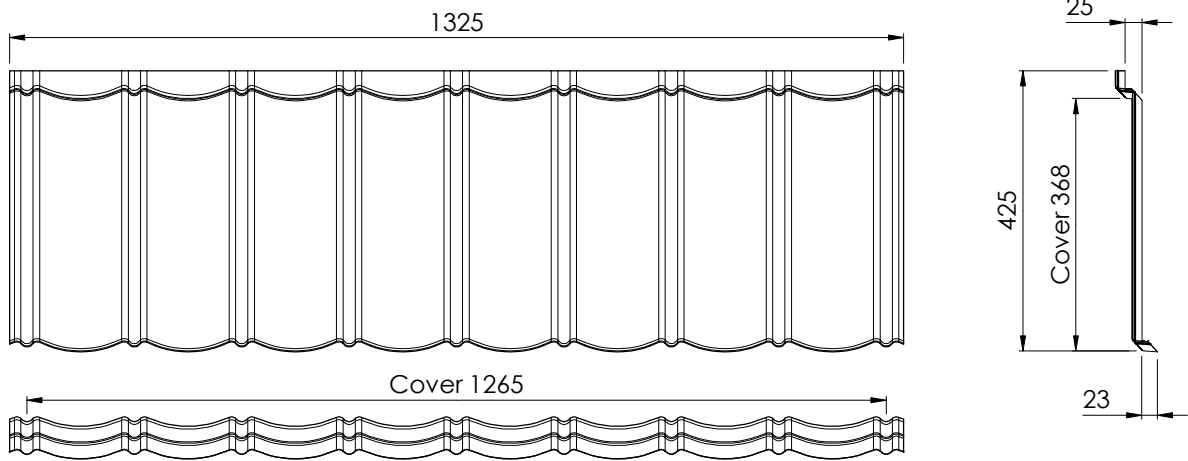


Figure 1.1 Tile Dimensions

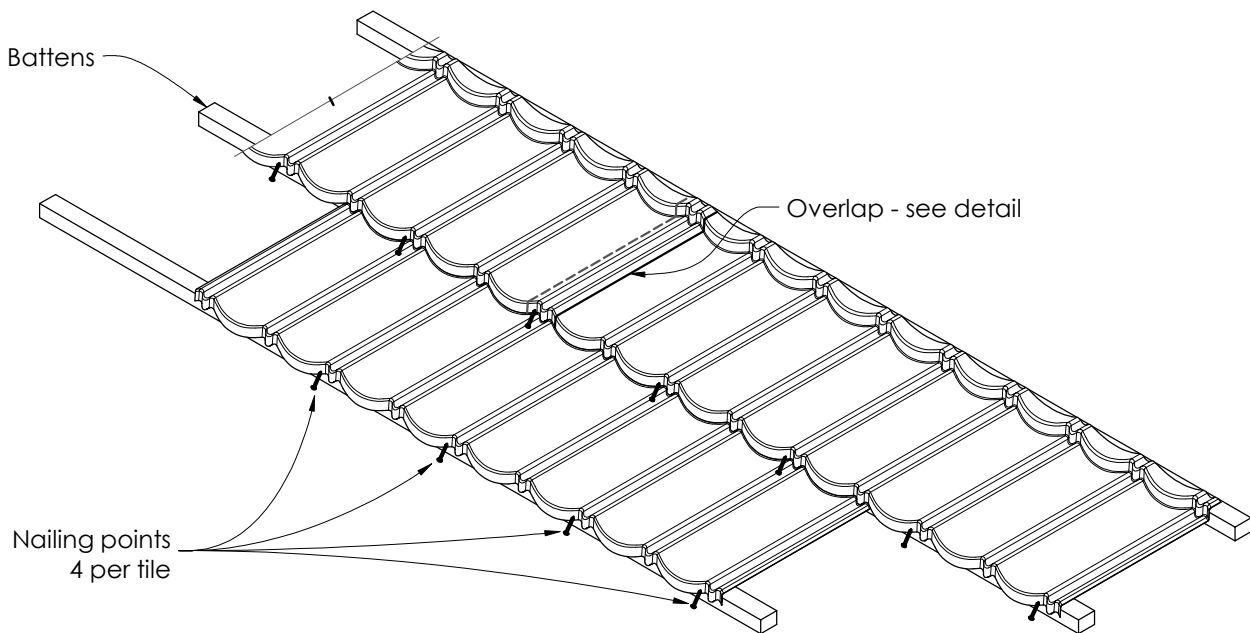


Figure 1.2 Nailing Detail

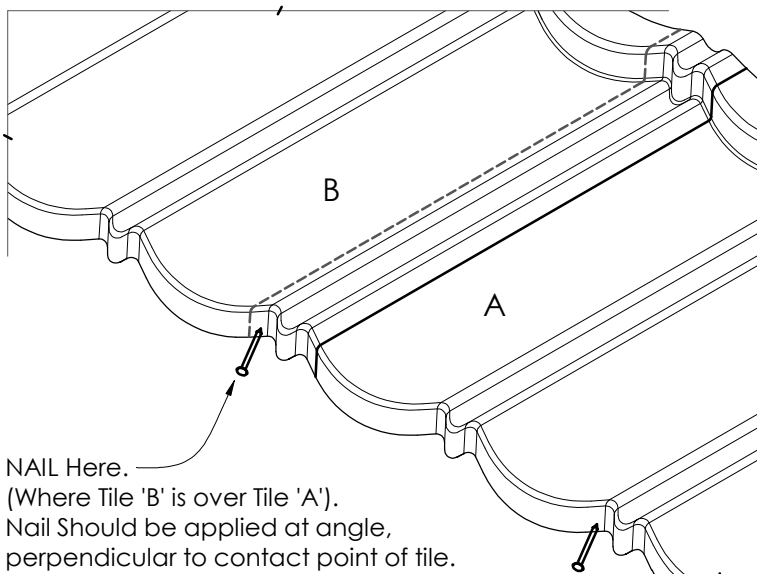


Figure 1.3 Overlap Detail

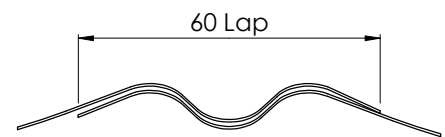


Figure 1.4 Lap Section

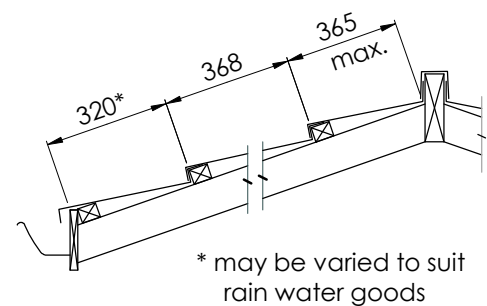


Figure 1.5 Batten Layout