

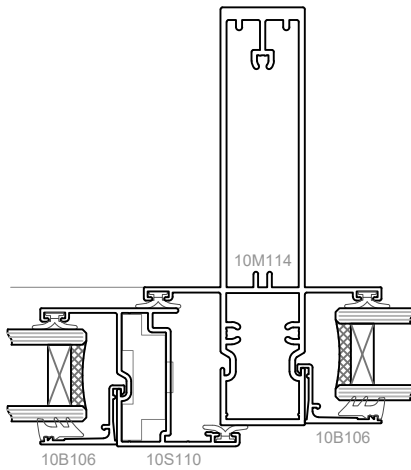
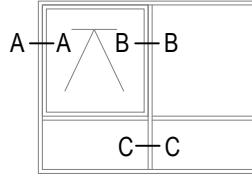
SECTION A-A

SECTION B-B

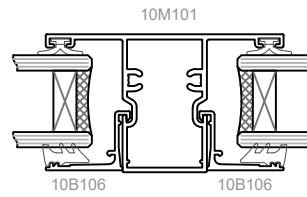
AWNING / CASEMENT WINDOW - HOLLOW FRAME

Rev 0

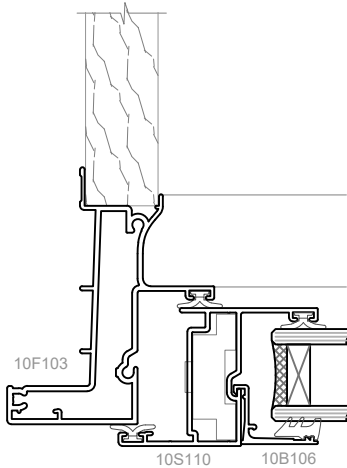




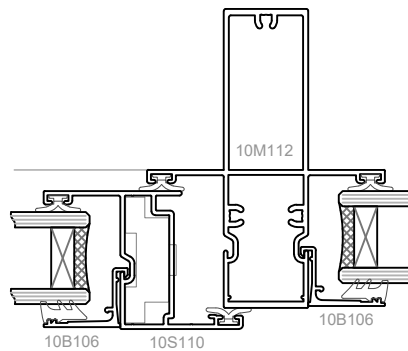
SECTION B-B



SECTION C-C



SECTION A-A

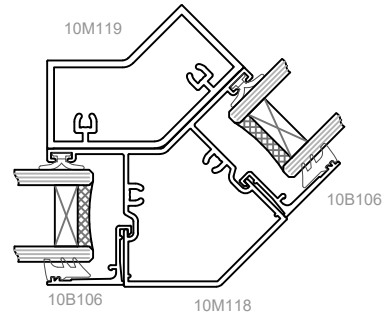
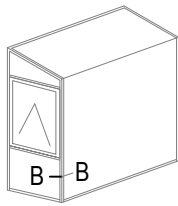


SECTION B-B

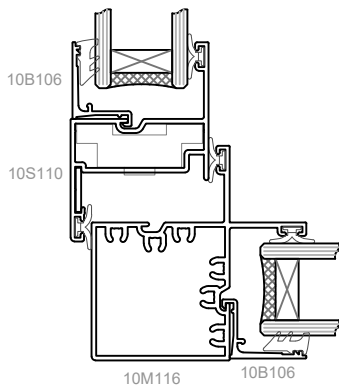
AWNING / CASEMENT WINDOW - HOLLOW FRAME

Rev 0

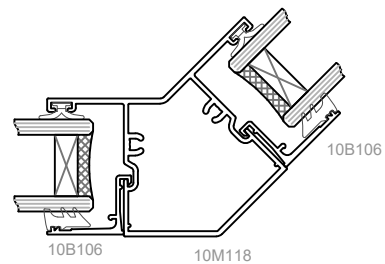




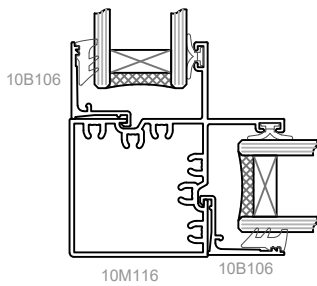
SECTION C-C



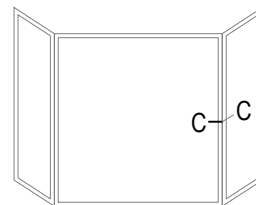
SECTION B-B



SECTION C-C



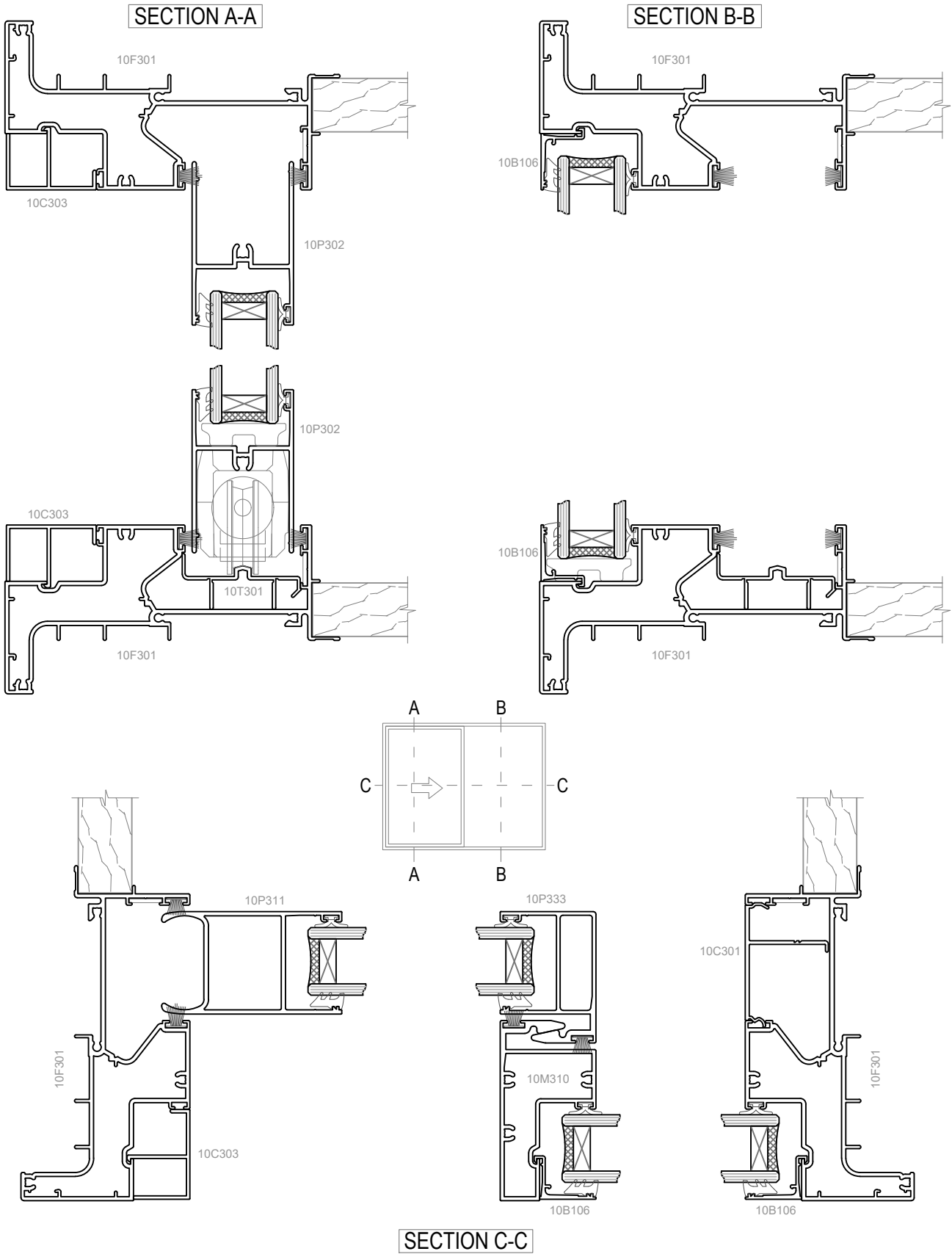
SECTION B-B



AWNING / CASEMENT WINDOW - HOLLOW FRAME

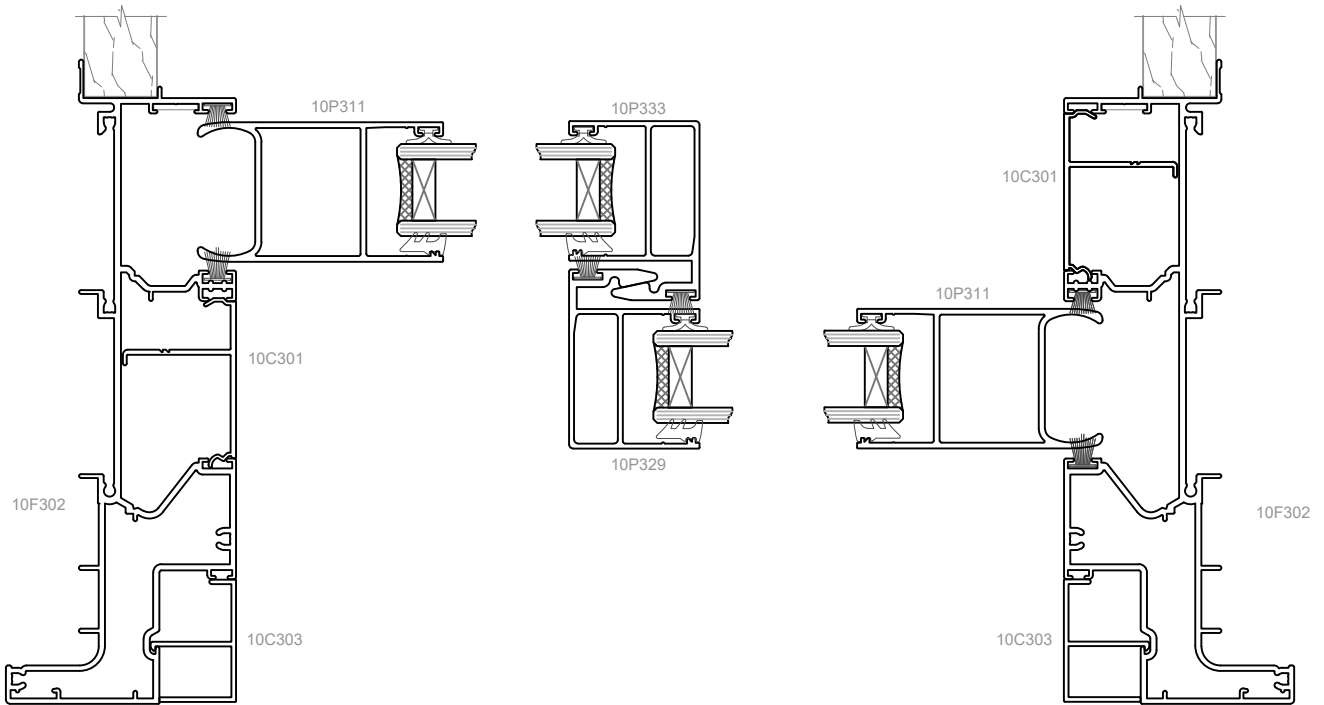
Rev 0



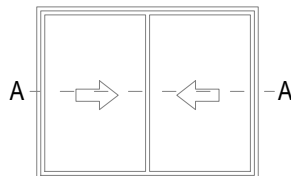


SECTION C-C
 HORIZONTAL SLIDING WINDOW - MITRE CUT

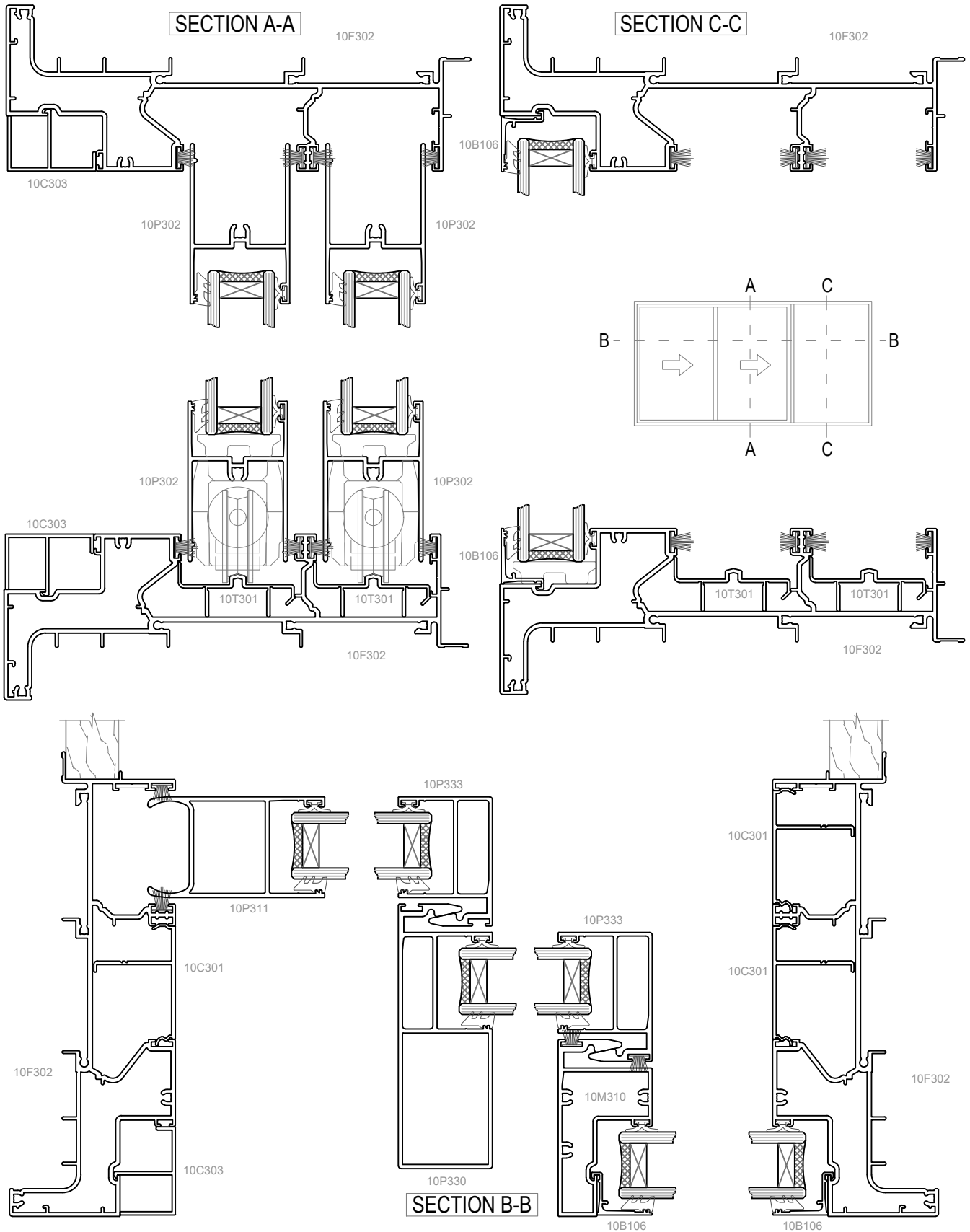
Rev 0



SECTION A-A



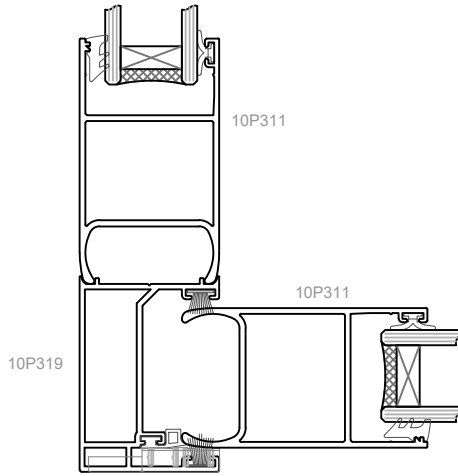
HORIZONTAL SLIDING WINDOW - MITRE CUT



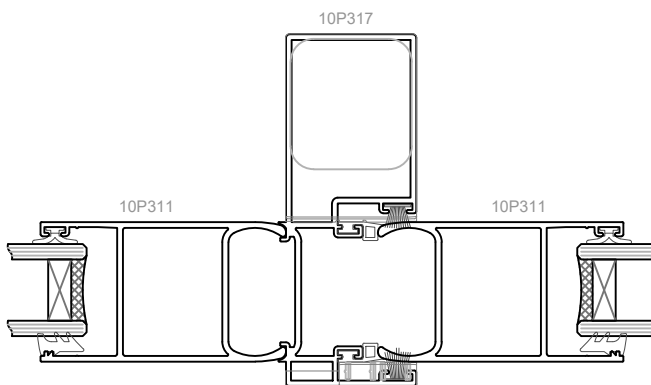
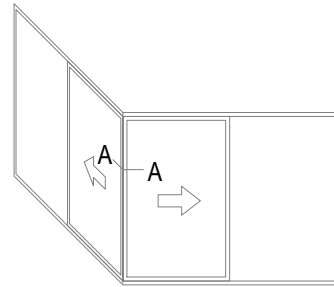
HORIZONTAL SLIDING WINDOW - MITRE CUT

Rev 0

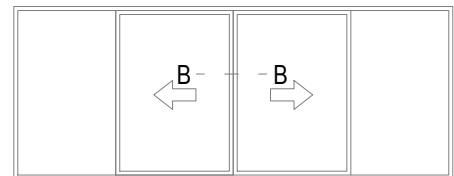




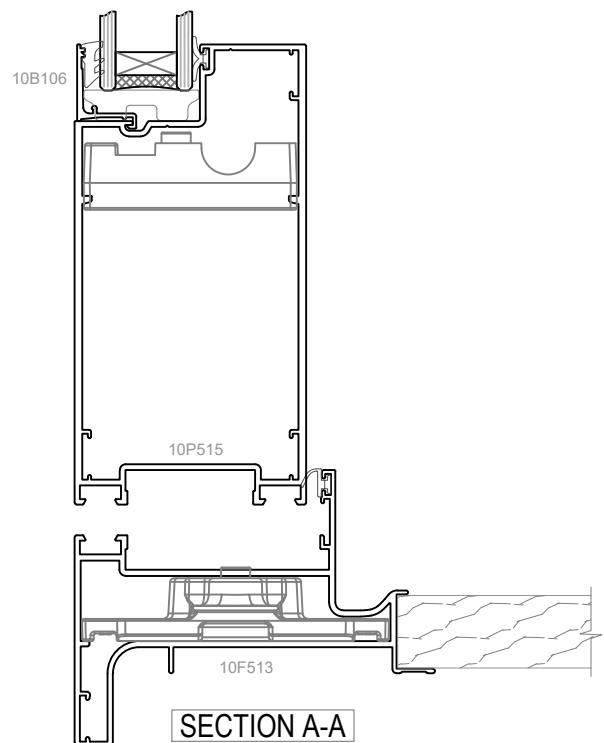
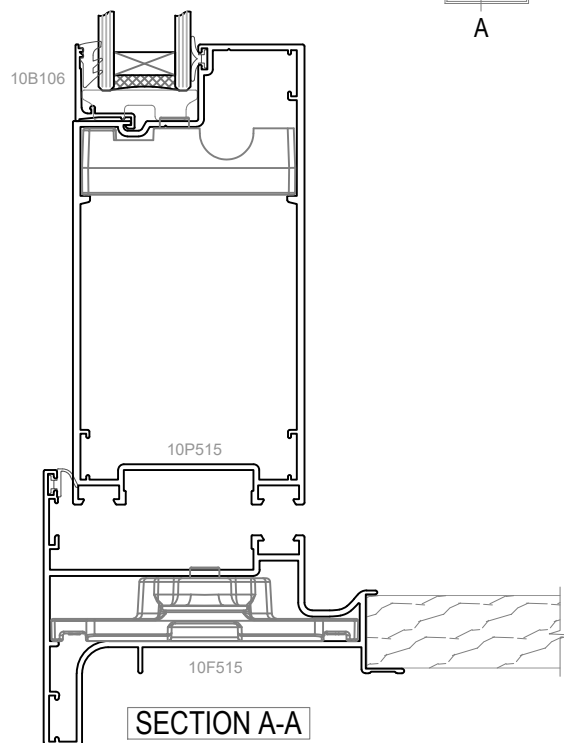
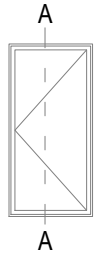
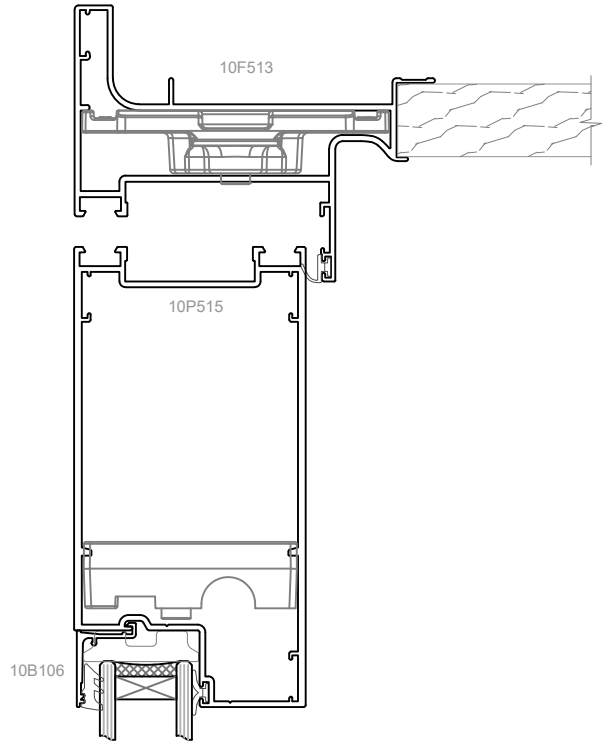
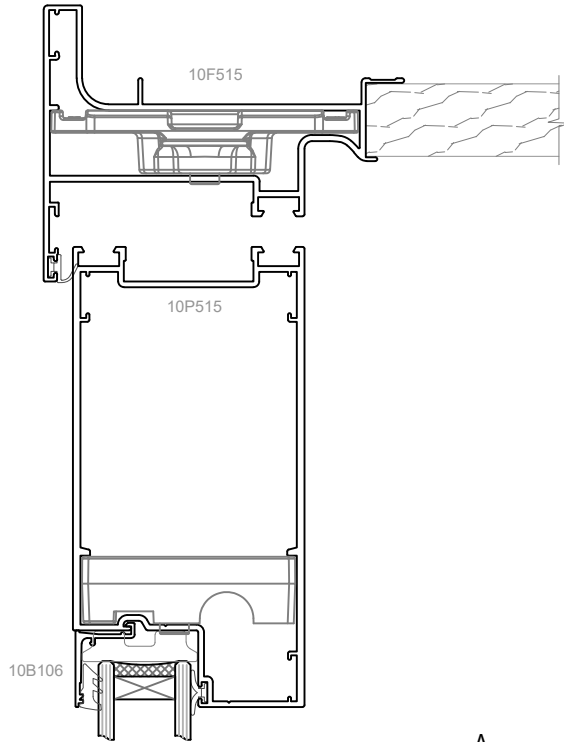
SECTION A-A



SECTION B-B

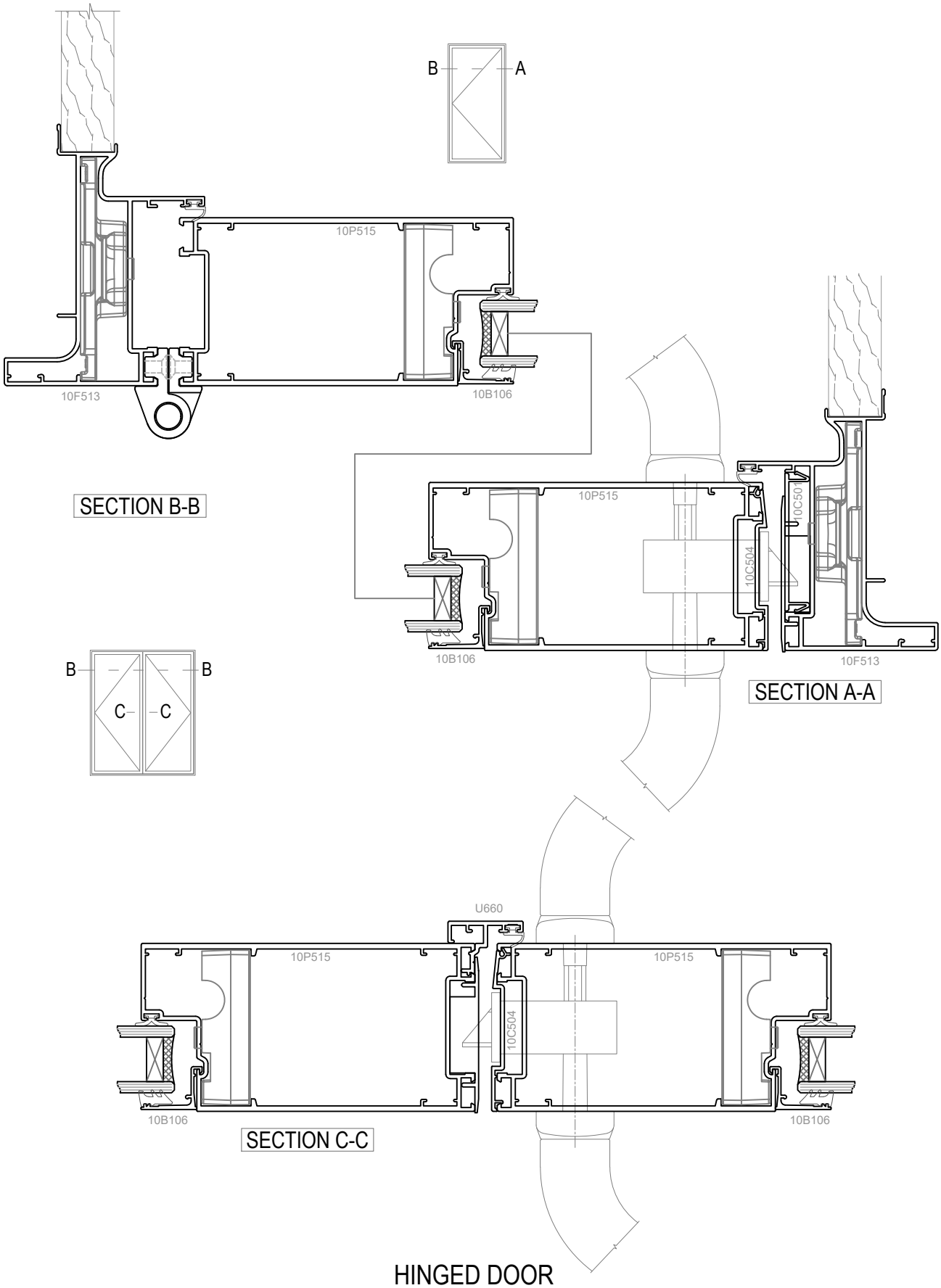


HORIZONTAL SLIDING WINDOW - MITRE CUT

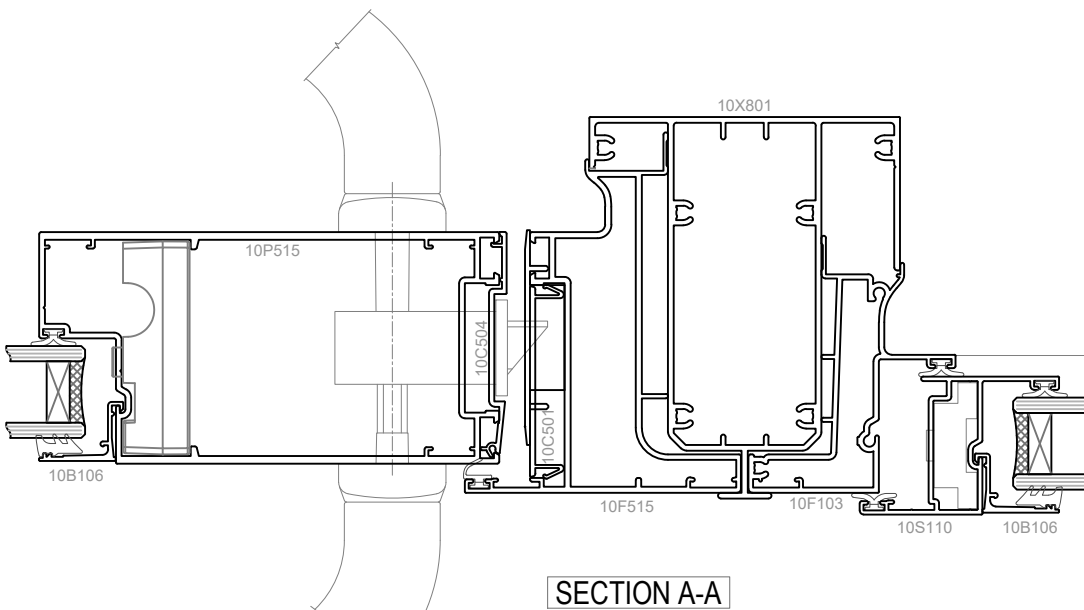
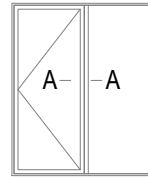
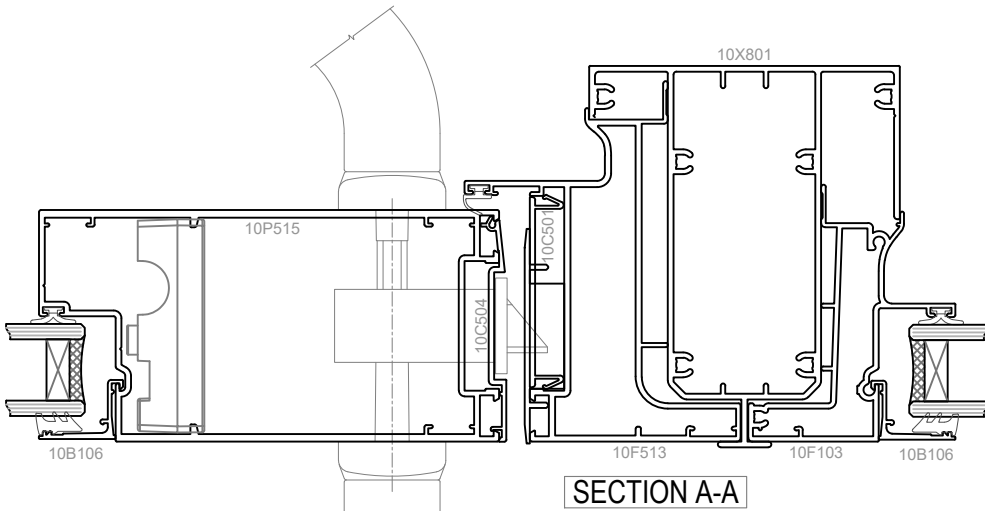


HINGED DOOR

Rev 0 | 



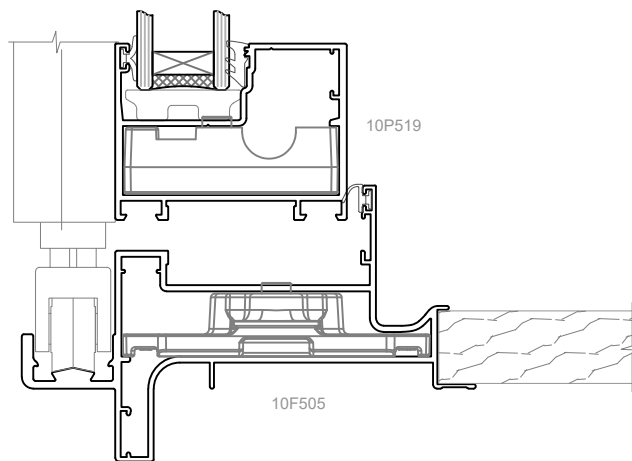
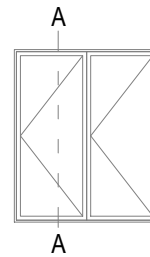
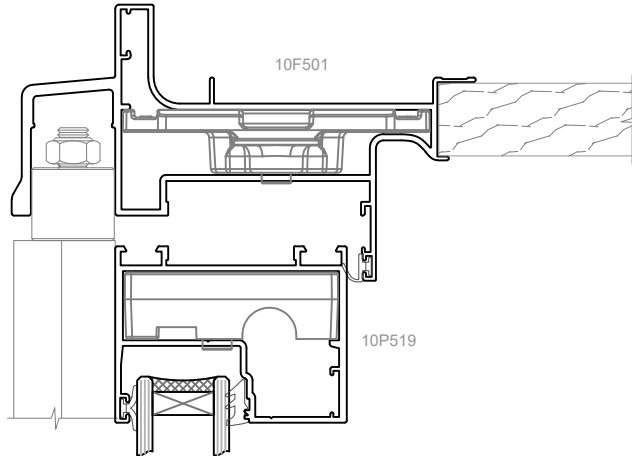
Rev 0



HINGED DOOR

Rev 0



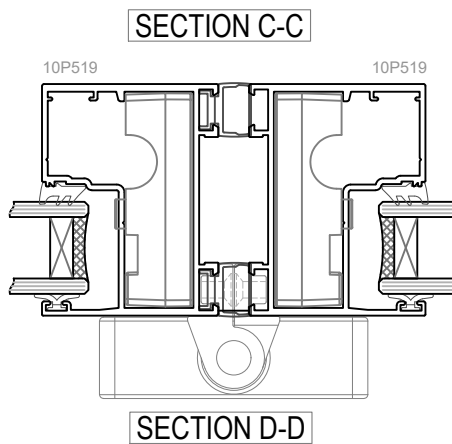
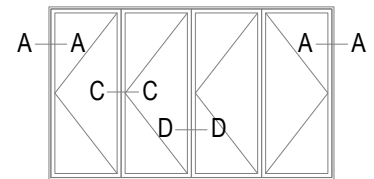
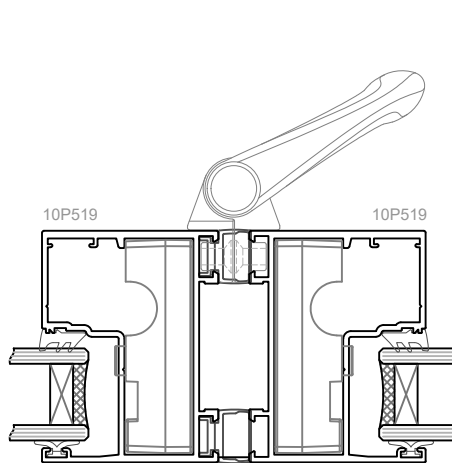
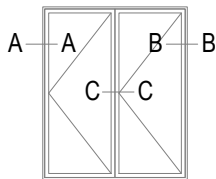
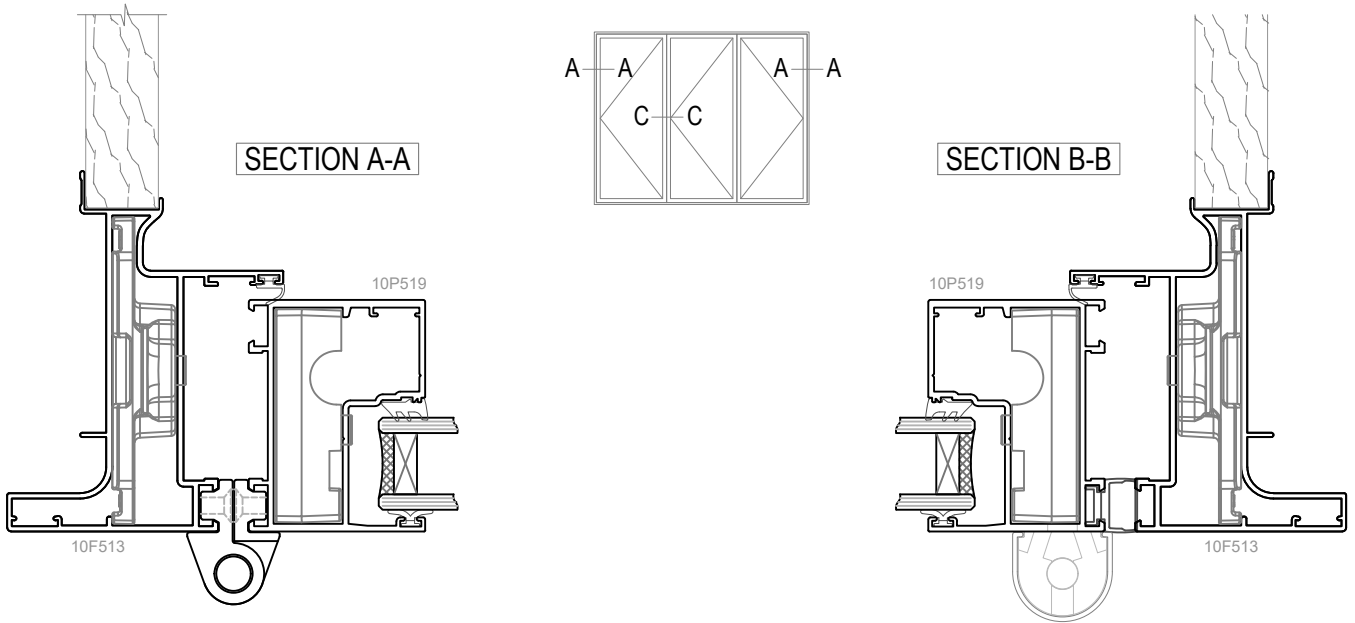


SECTION A-A

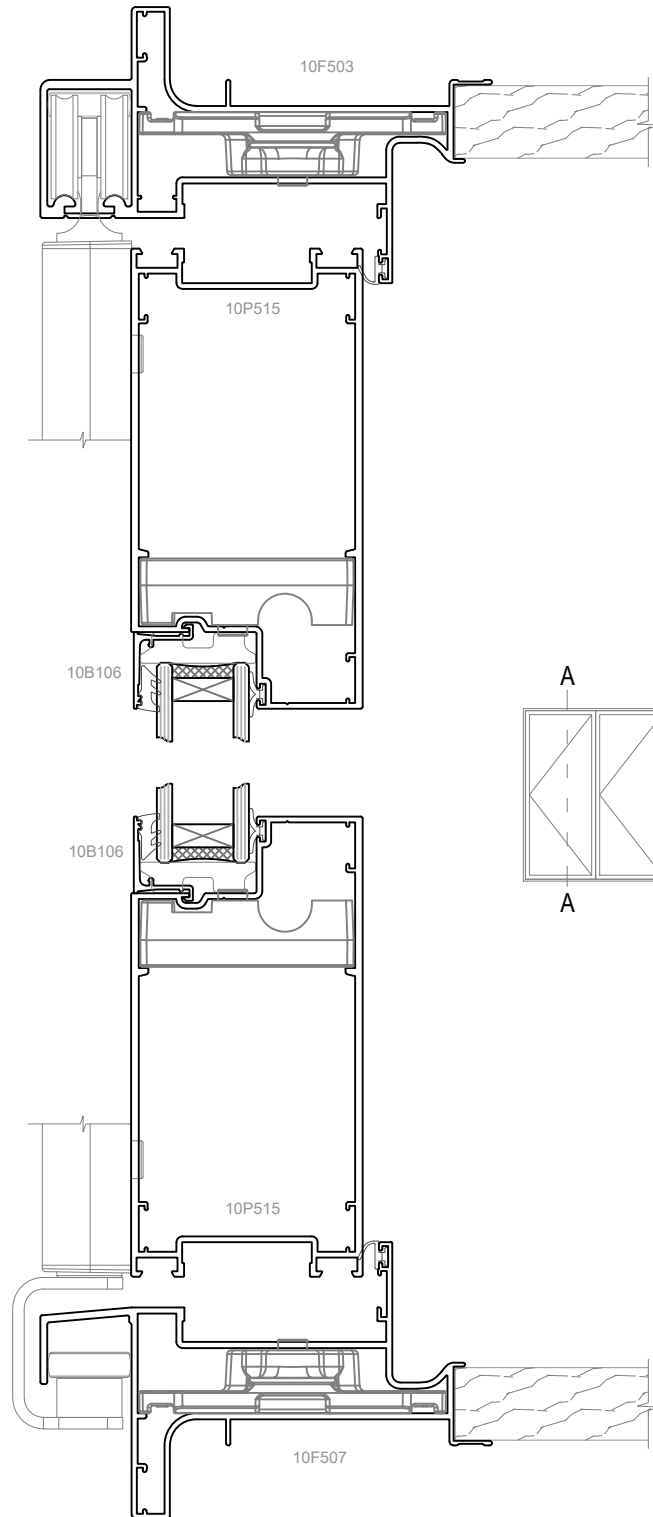
BI-FOLD WINDOW

Rev 0





BI-FOLD WINDOW

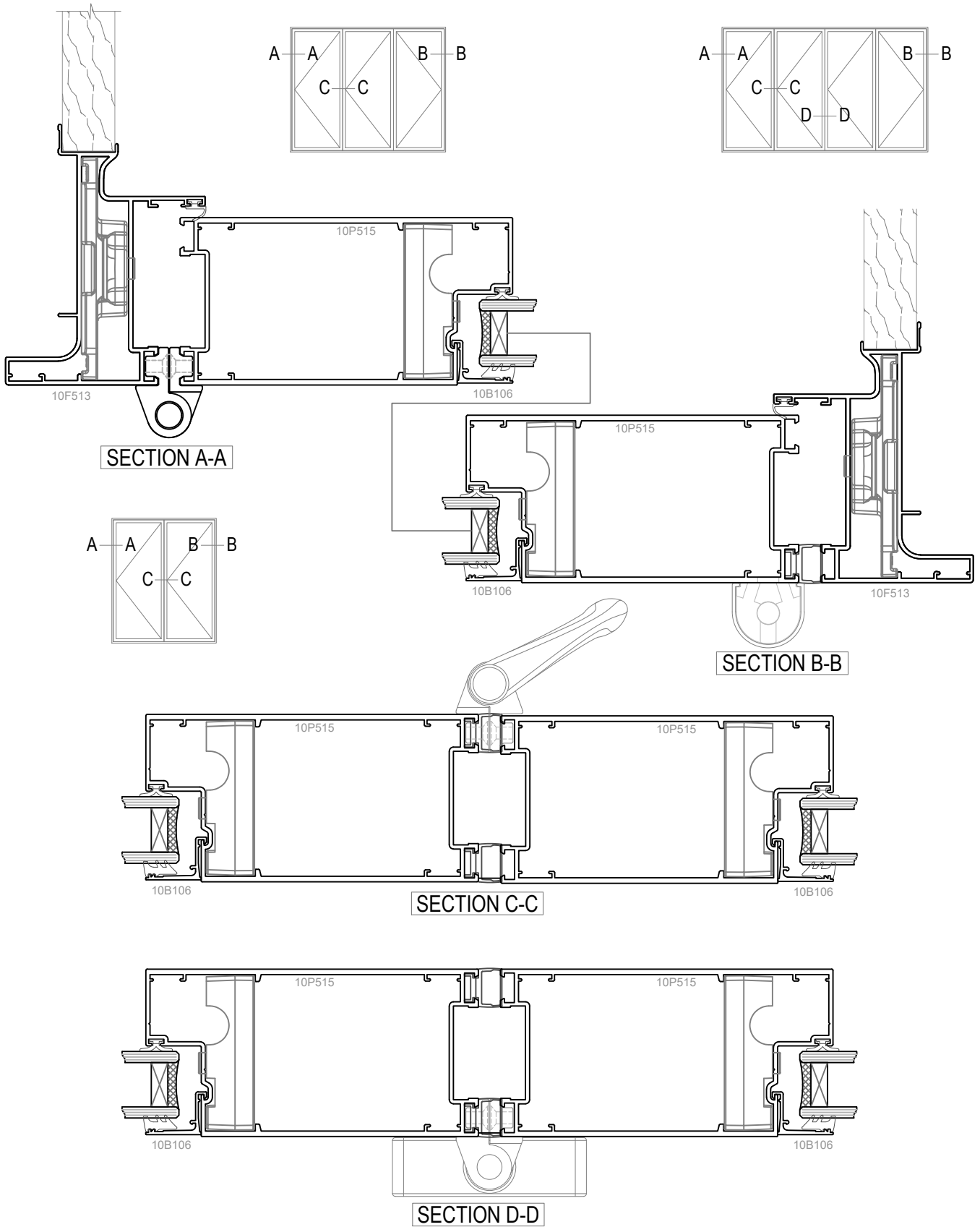


SECTION A-A

TOP HUNG HOODED GUIDE BI-FOLD DOOR

Rev 0

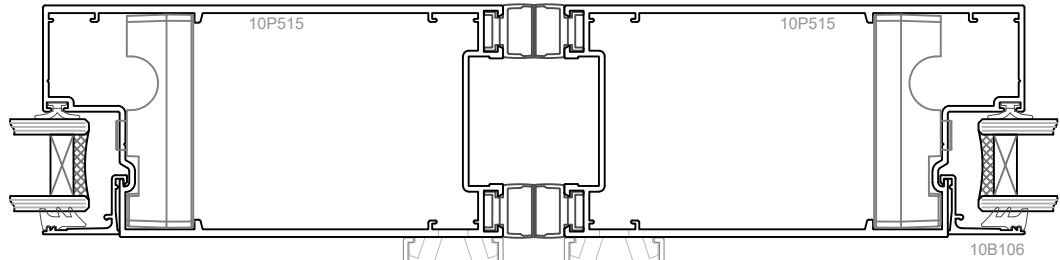
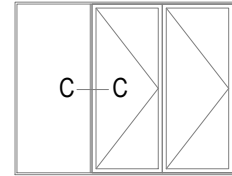
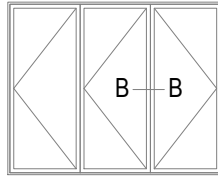
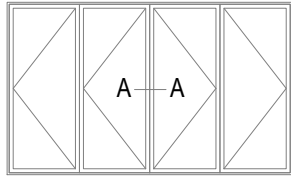




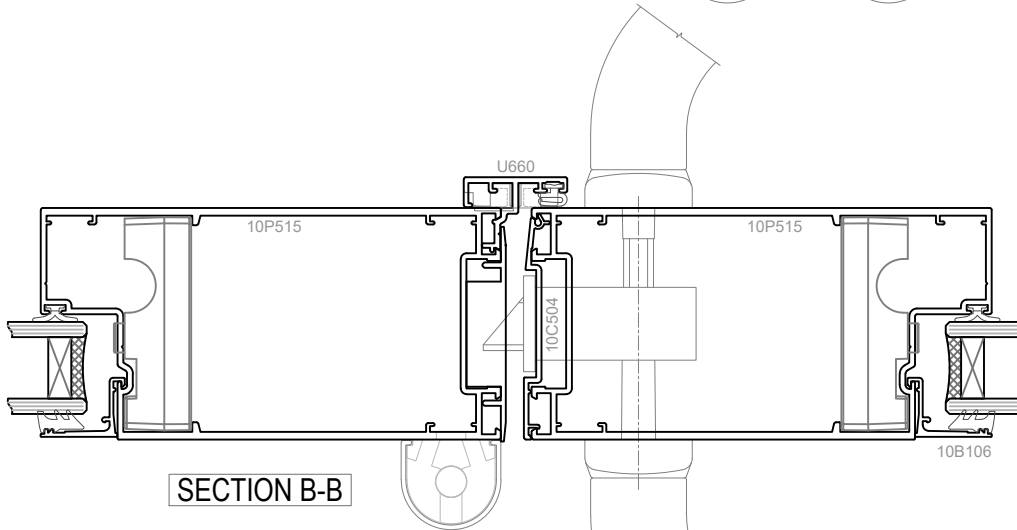
TOP HUNG HOODED GUIDE BI-FOLD DOOR

Rev 0

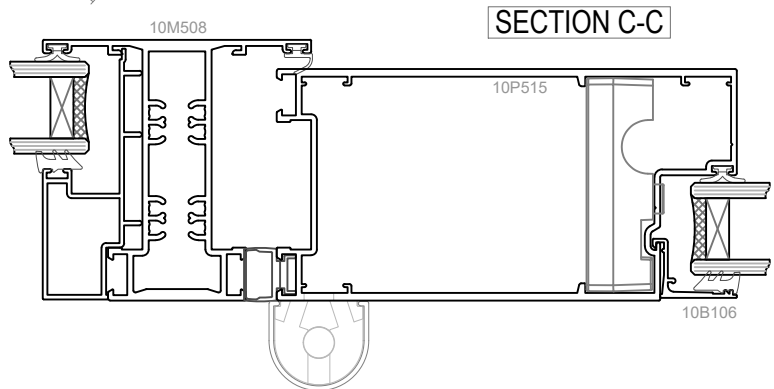




SECTION A-A



SECTION B-B

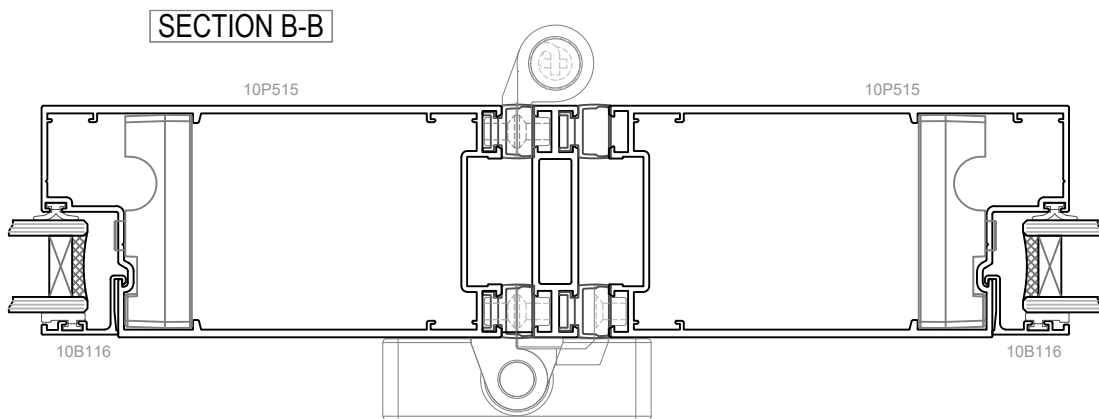
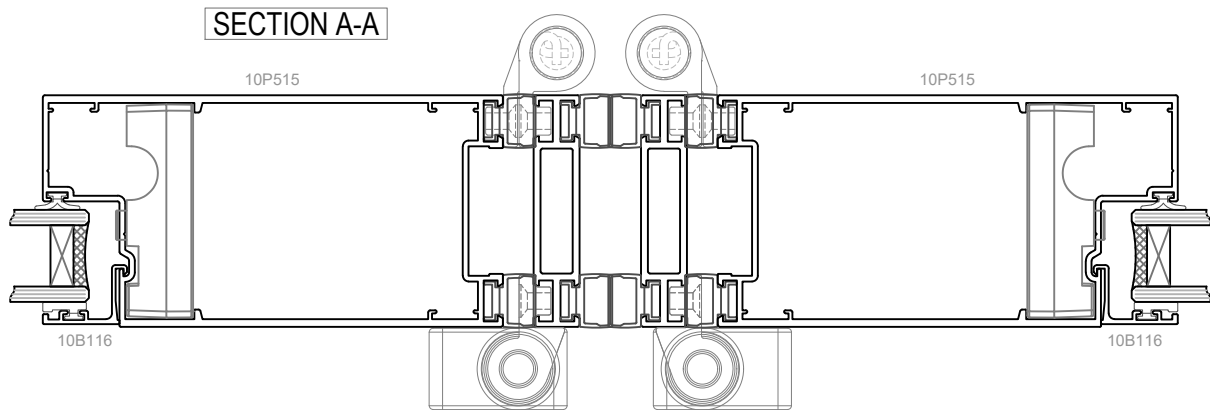
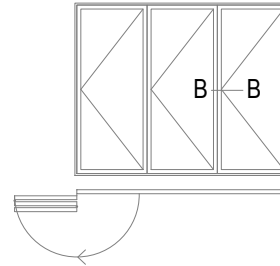
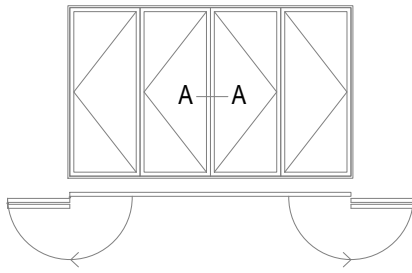


SECTION C-C

TOP HUNG HOODED GUIDE BI-FOLD DOOR

Rev 0

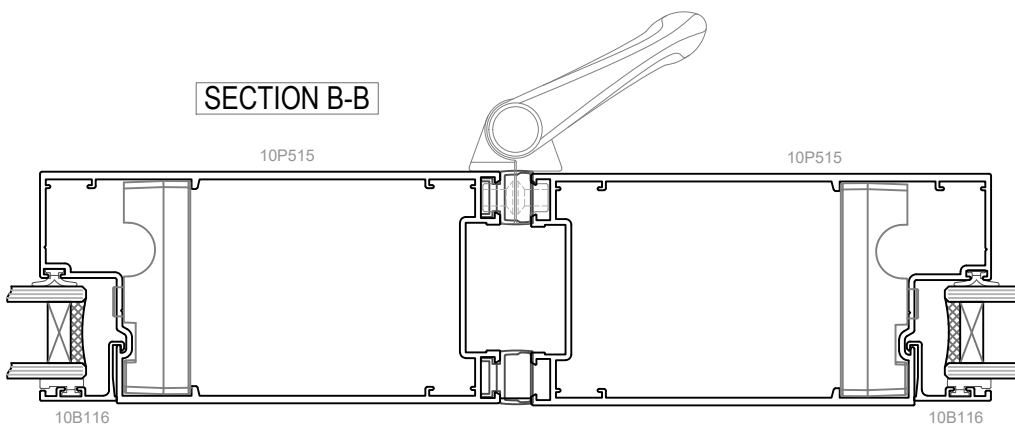
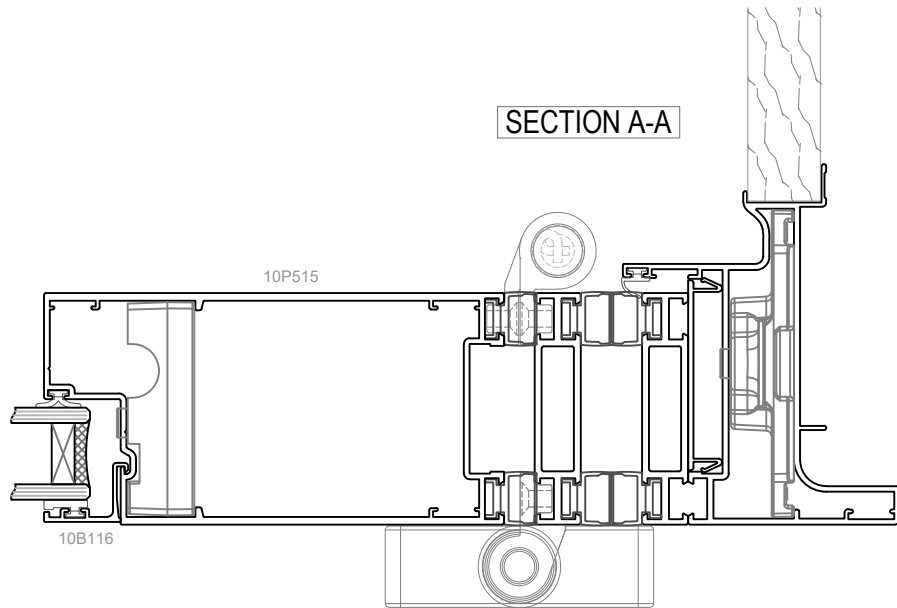
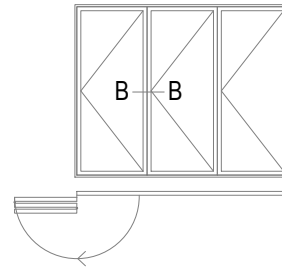
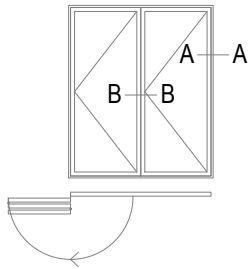




TOP HUNG HOODED GUIDE BI-FOLD DOOR - FREEFOLD

Rev 0

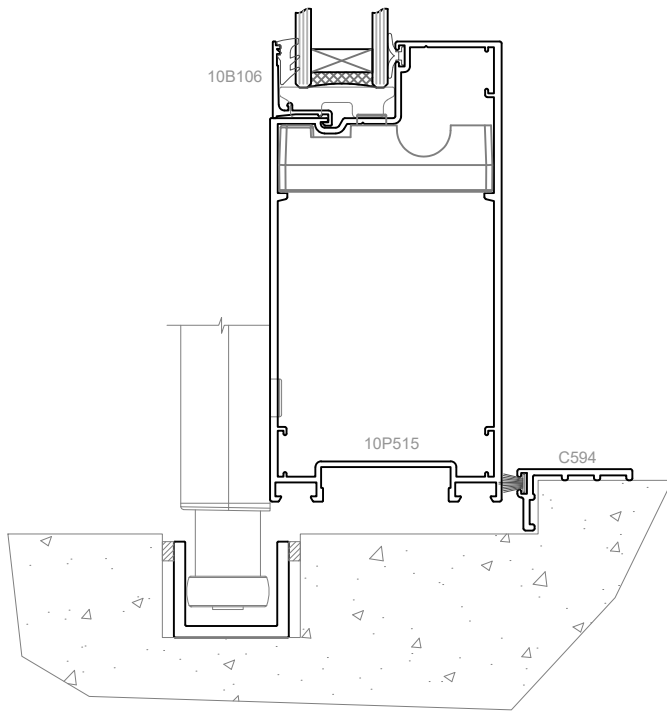
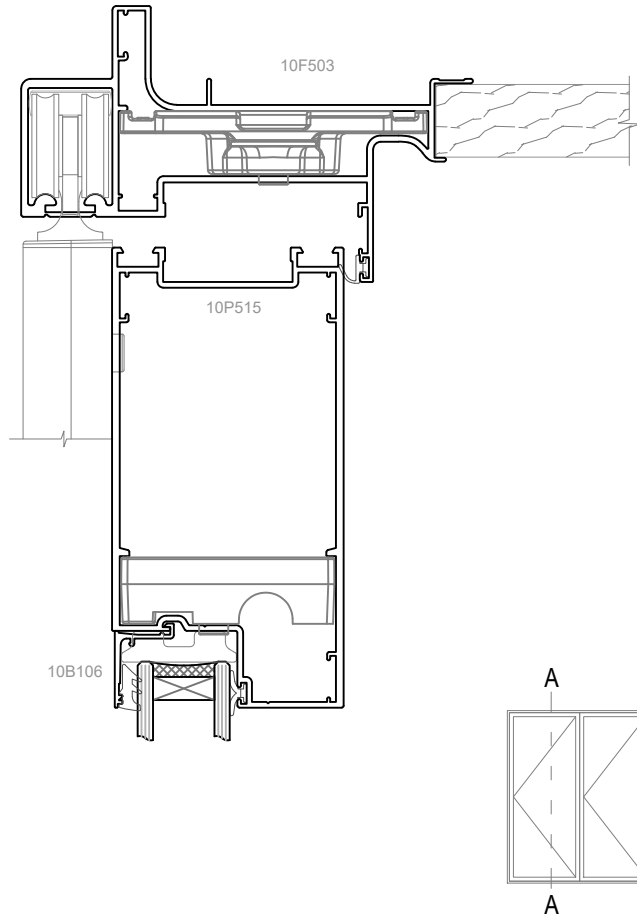




TOP HUNG HOODED GUIDE BI-FOLD DOOR - FREEFOLD

Rev 0



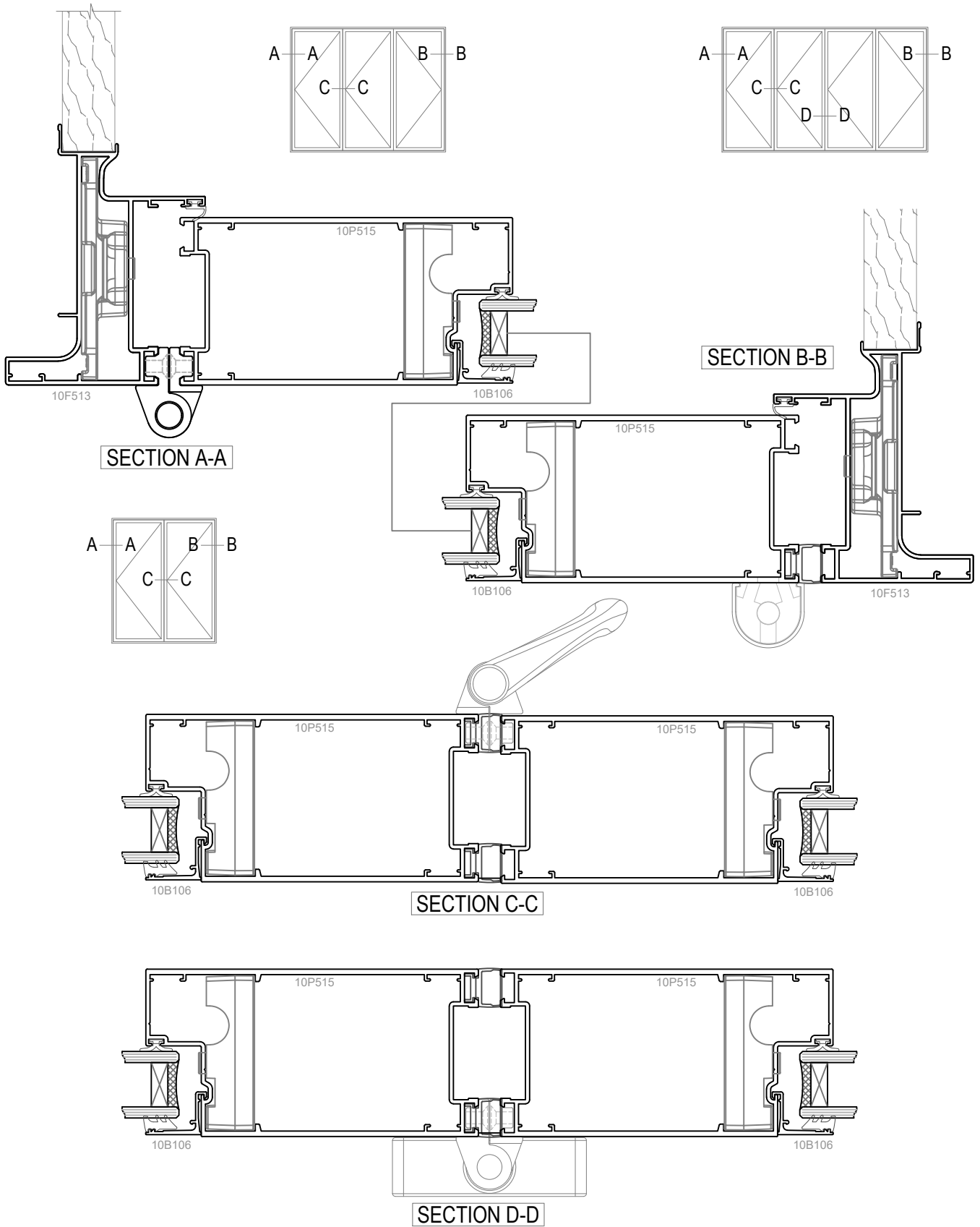


SECTION A-A

TOP HUNG NON-WEATHERED GUIDE BI-FOLD DOOR

Rev 0

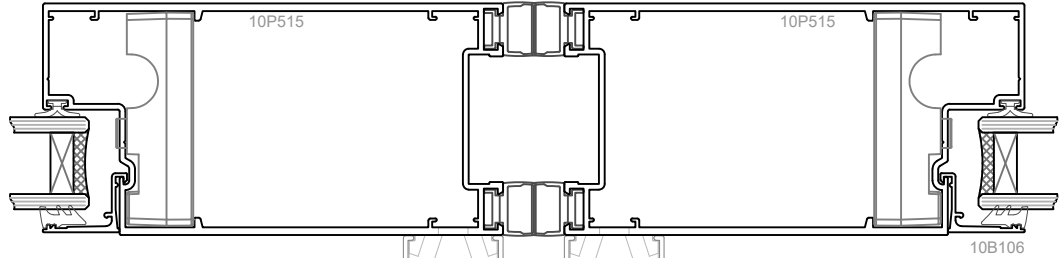
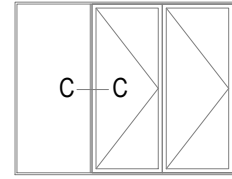
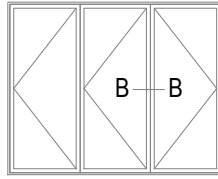
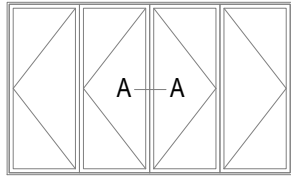




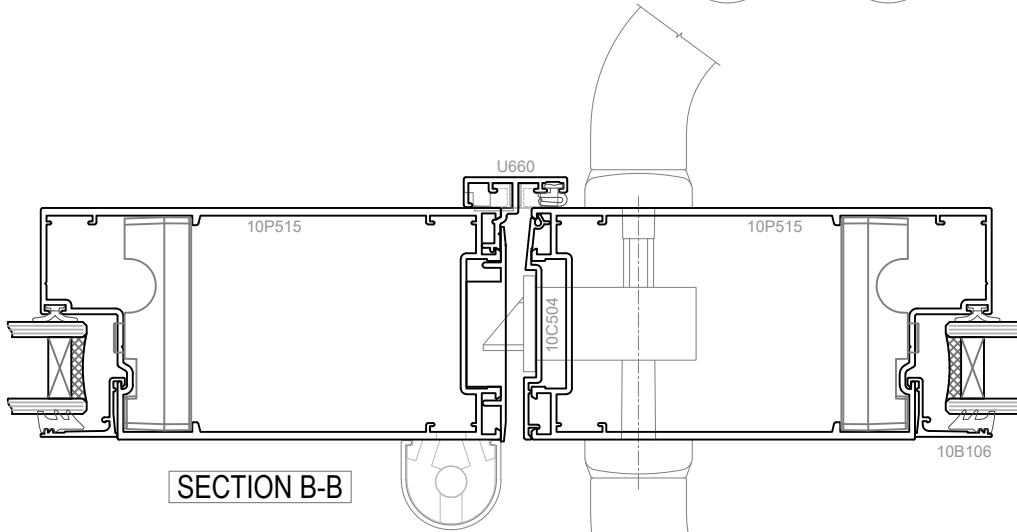
TOP HUNG NON-WEATHERED GUIDE BI-FOLD DOOR

Rev 0

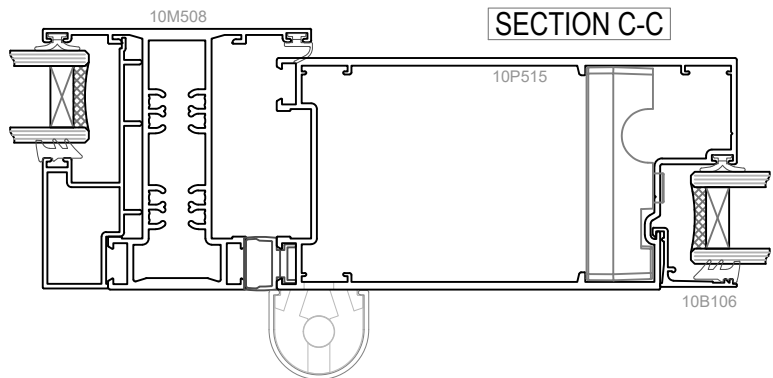




SECTION A-A



SECTION B-B

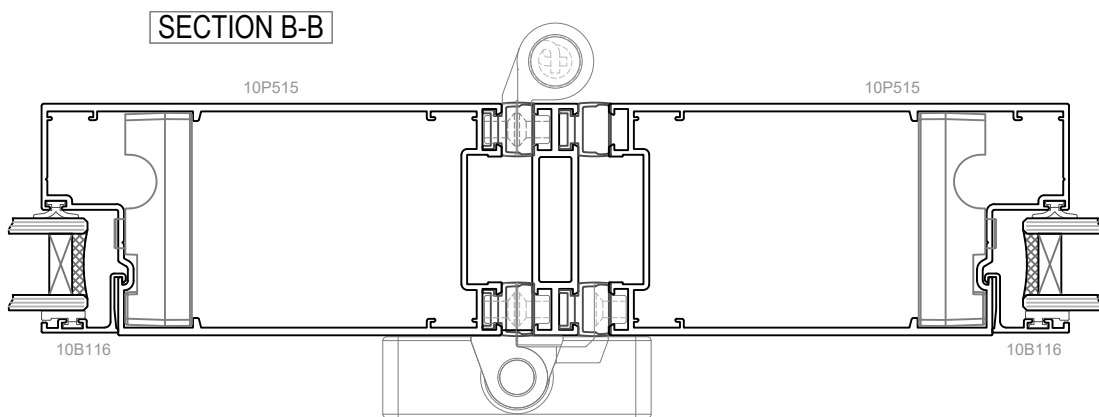
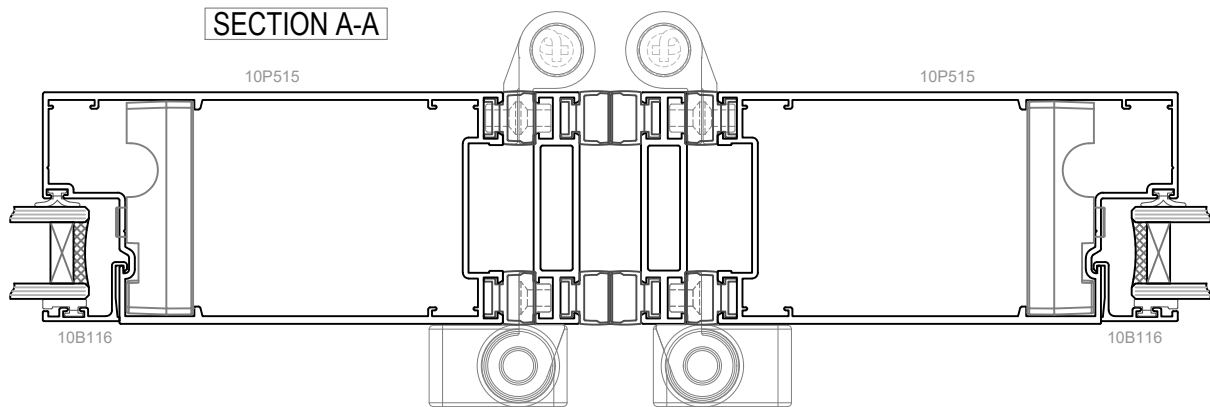
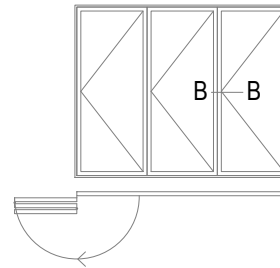
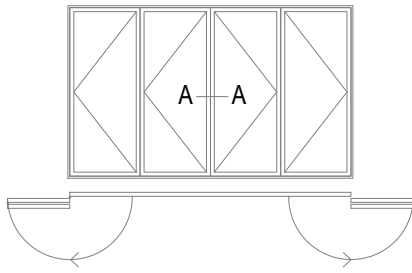


SECTION C-C

TOP HUNG NON-WEATHERED GUIDE BI-FOLD DOOR

Rev 0

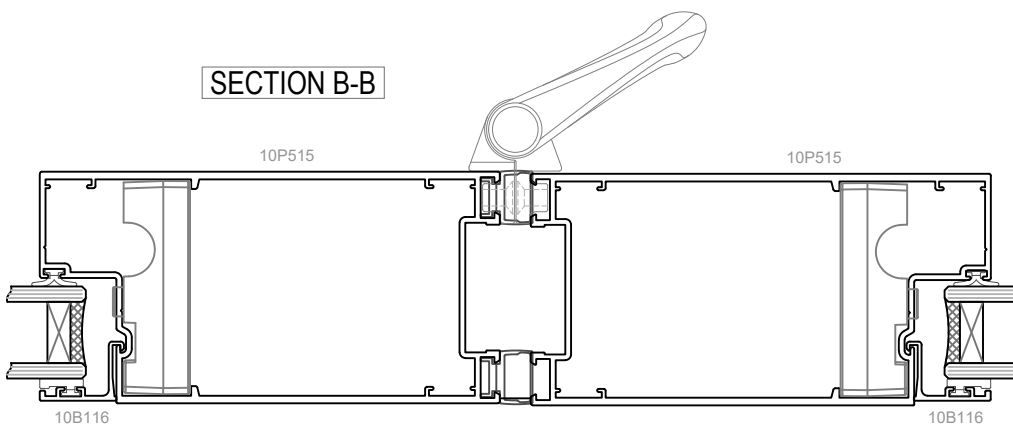
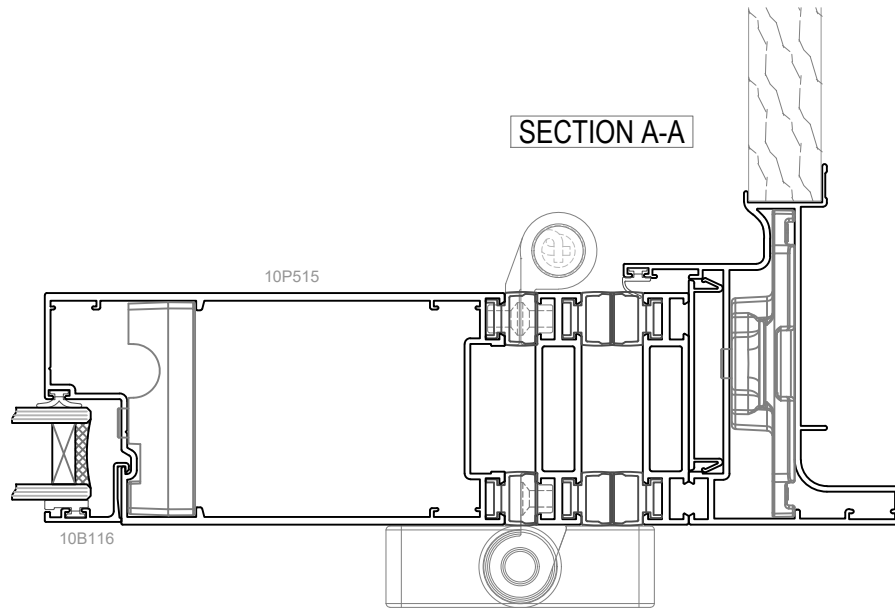
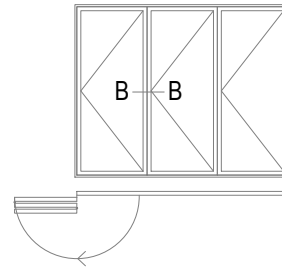
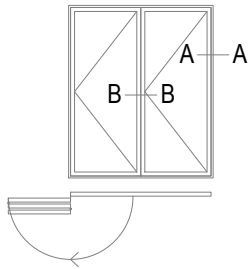




TOP HUNG NON-WEATHERED GUIDE BI-FOLD DOOR - FREEFOLD

Rev 0

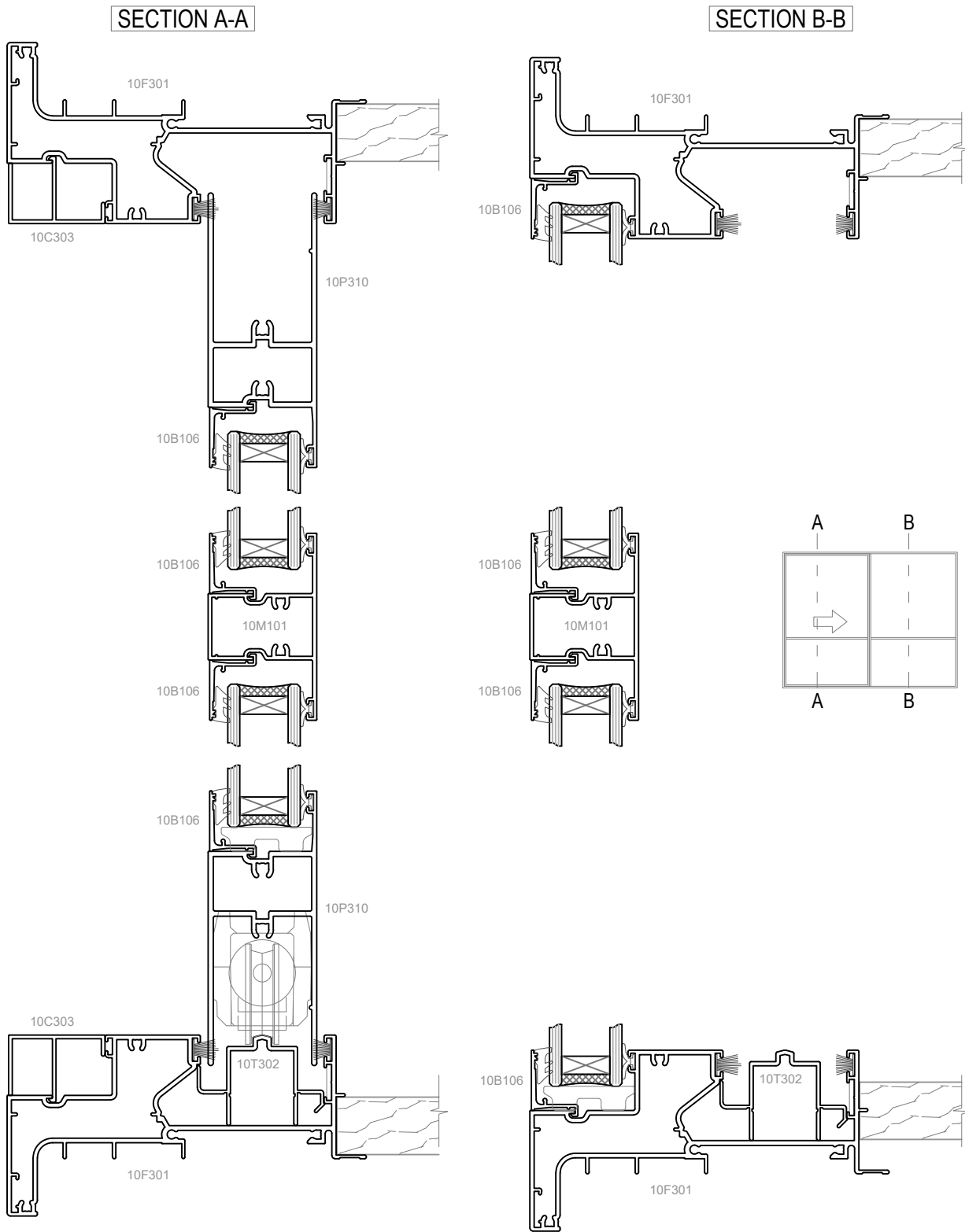




TOP HUNG NON-WEATHERED GUIDE BI-FOLD DOOR - FREEFOLD

Rev 0

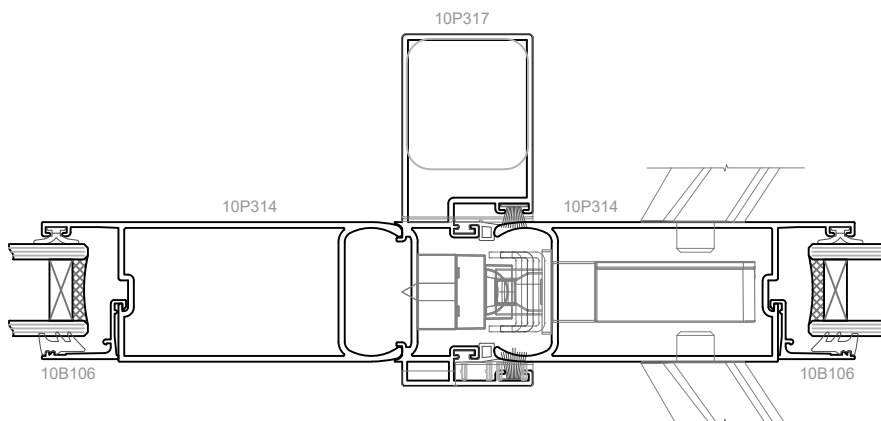
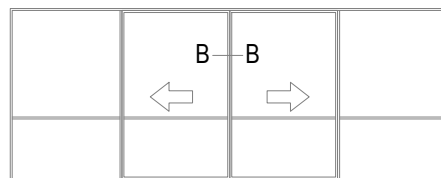
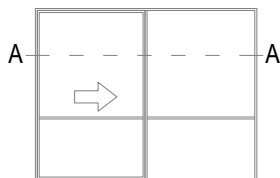
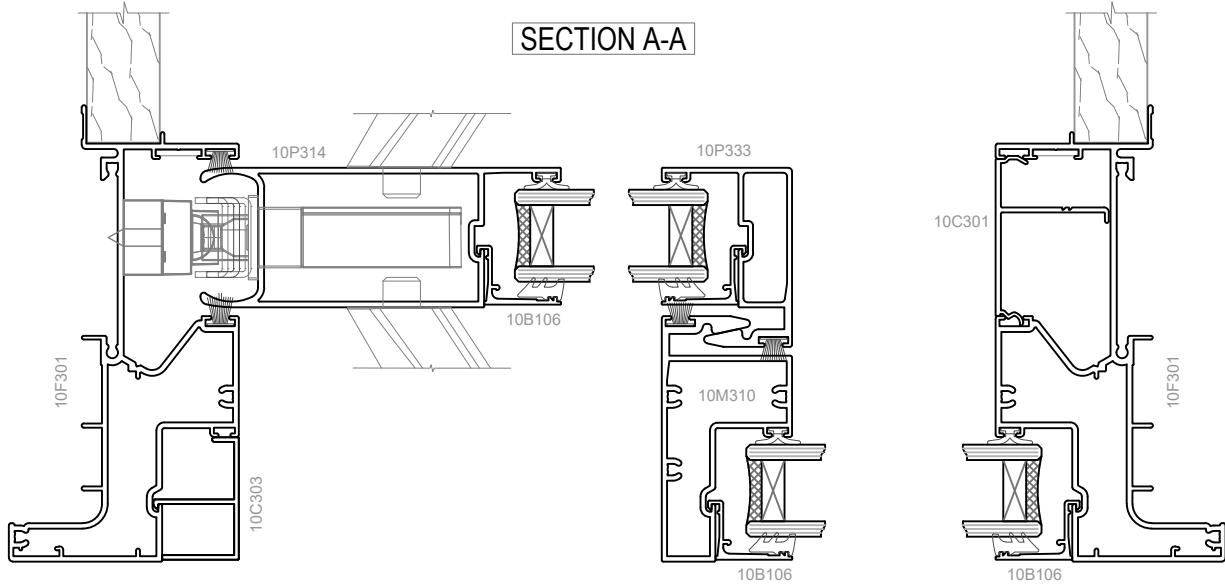




SLIDING DOOR - MITRE CUT

Rev 0



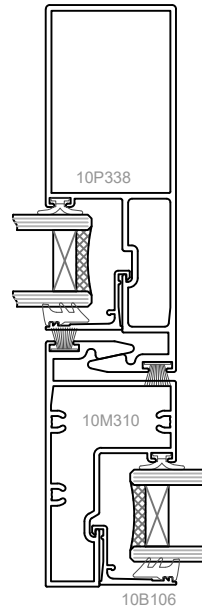
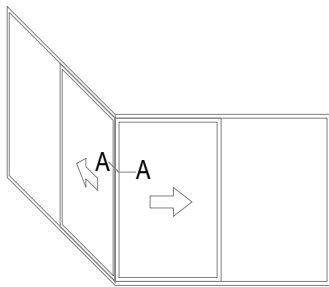


SECTION B-B

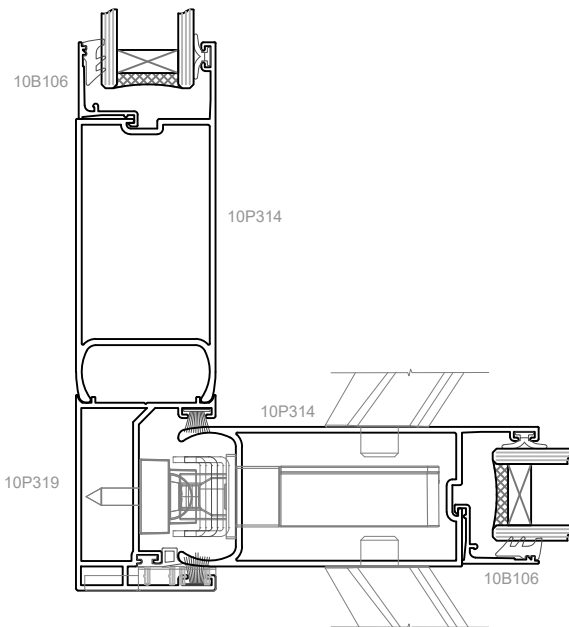
SLIDING DOOR - MITRE CUT

Rev 0

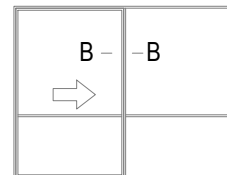




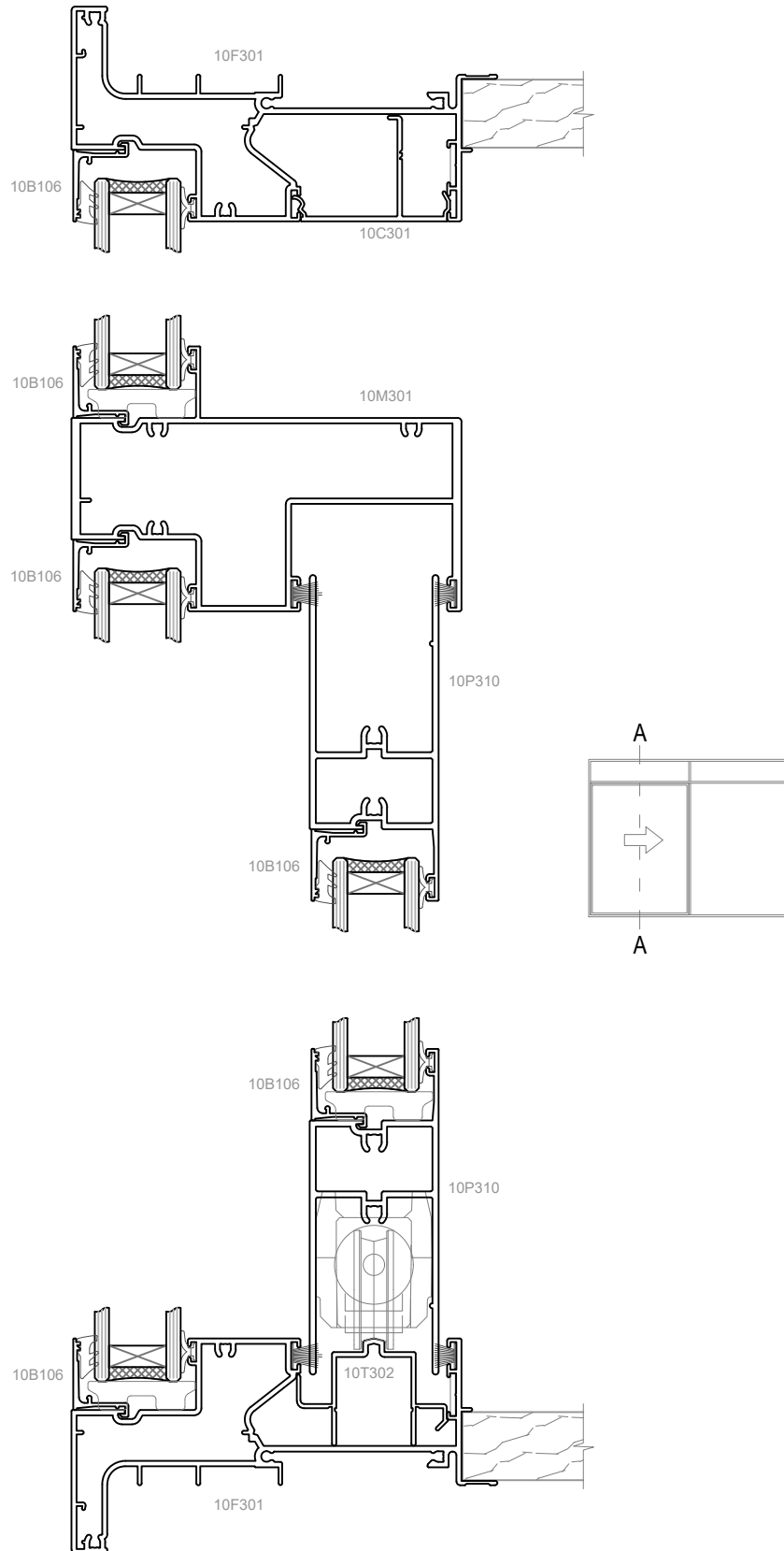
SECTION B-B



SECTION A-A



SLIDING DOOR - MITRE CUT

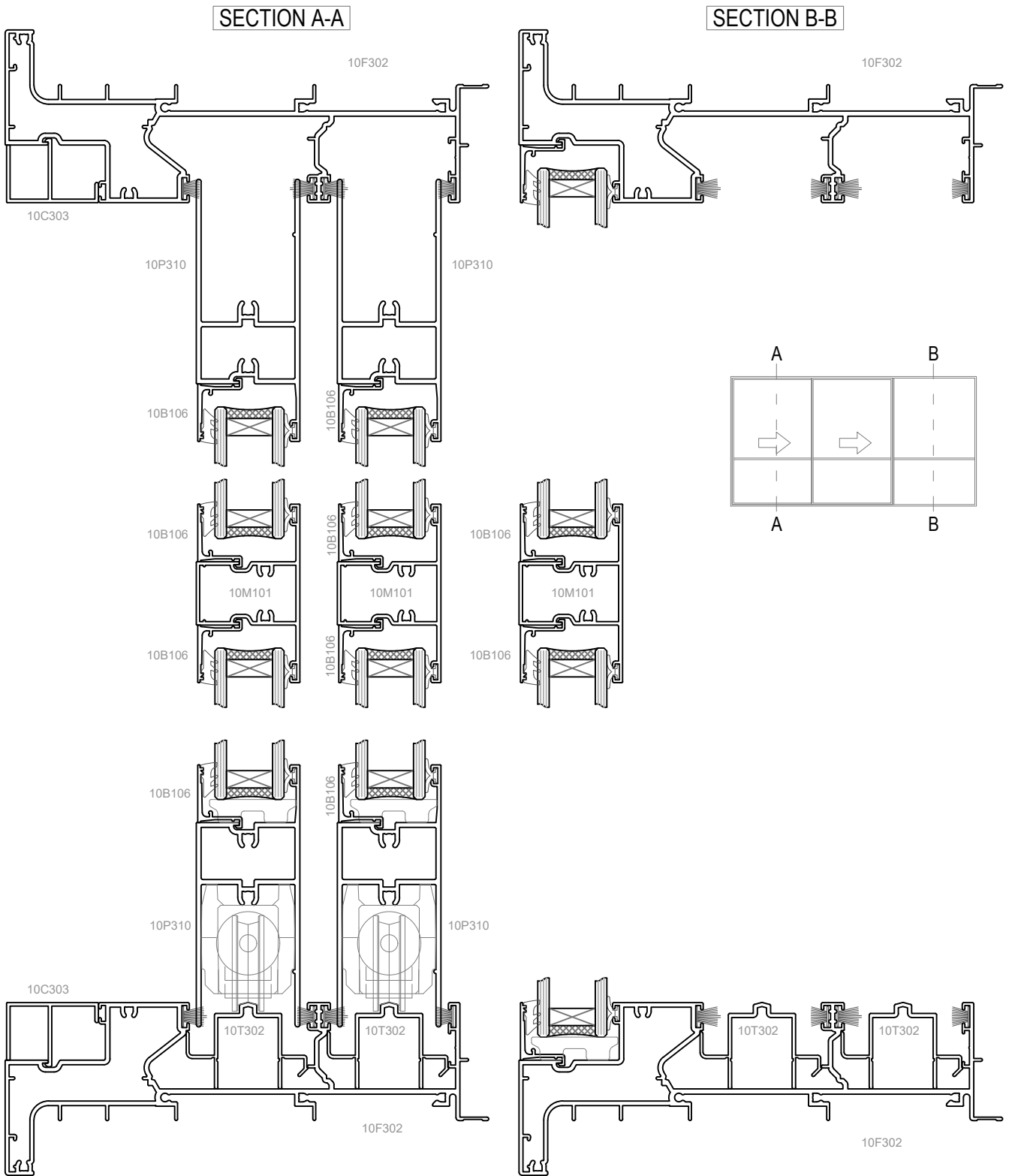


SECTION A-A

SLIDING DOOR - MITRE CUT

Rev 0

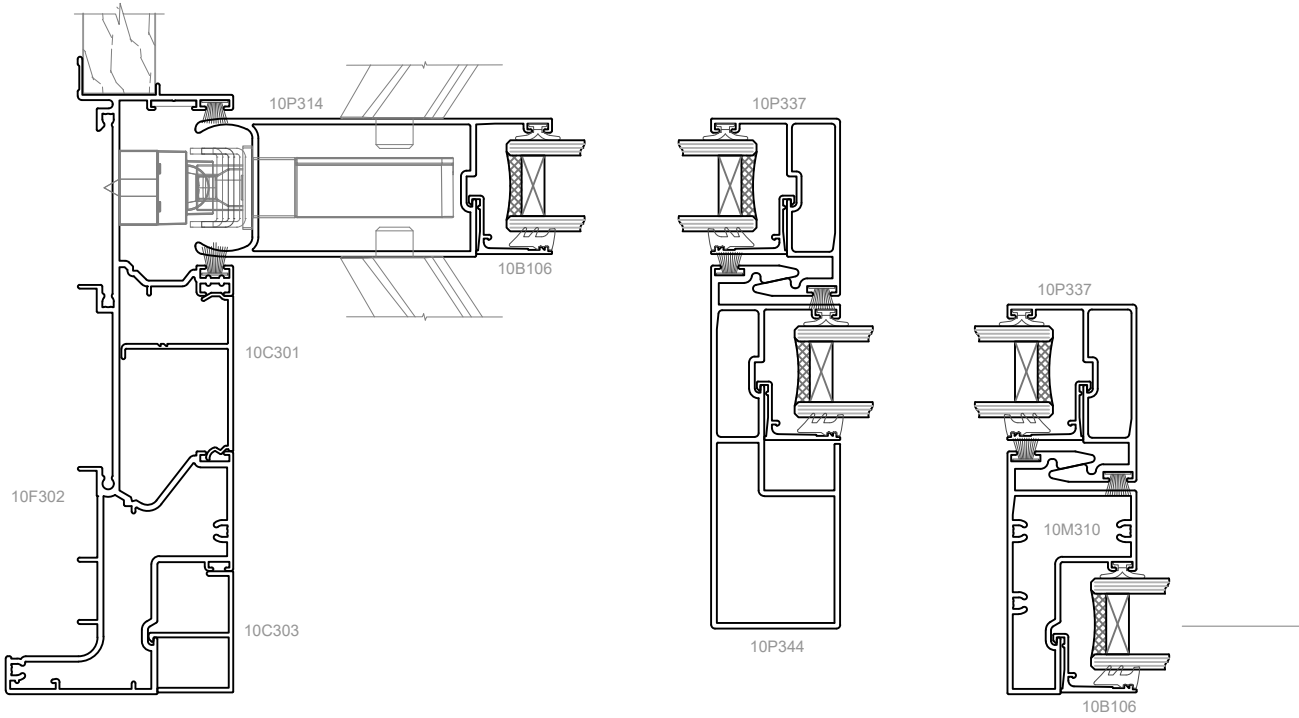




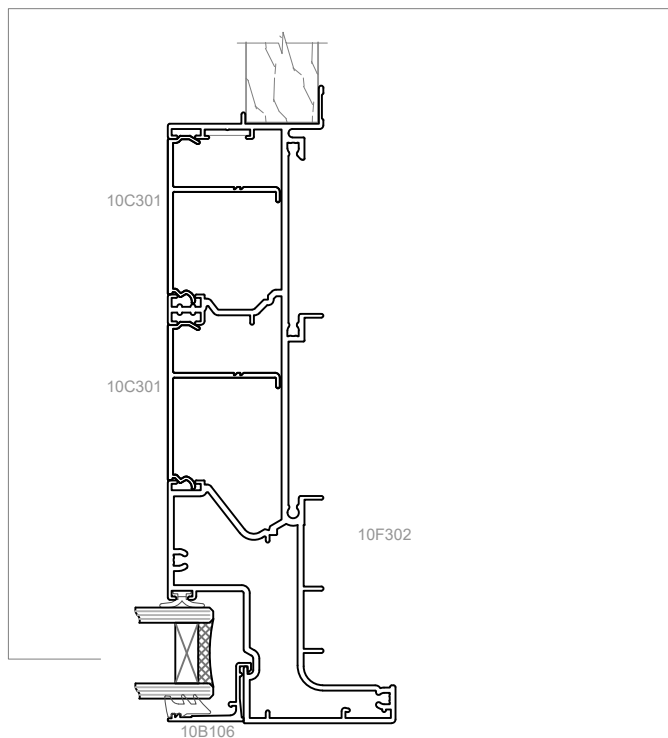
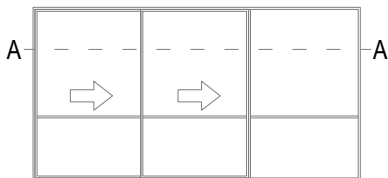
STACKING DOOR - MITRE CUT

Rev 0





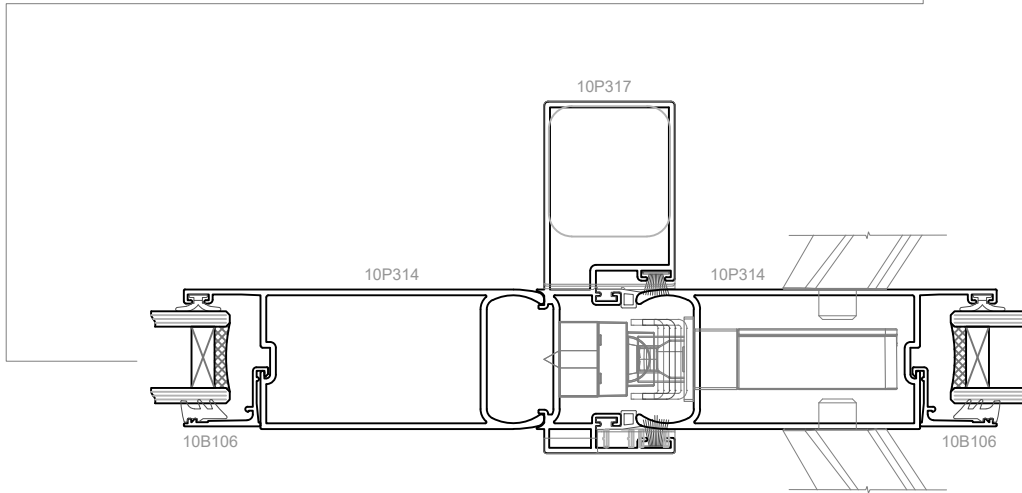
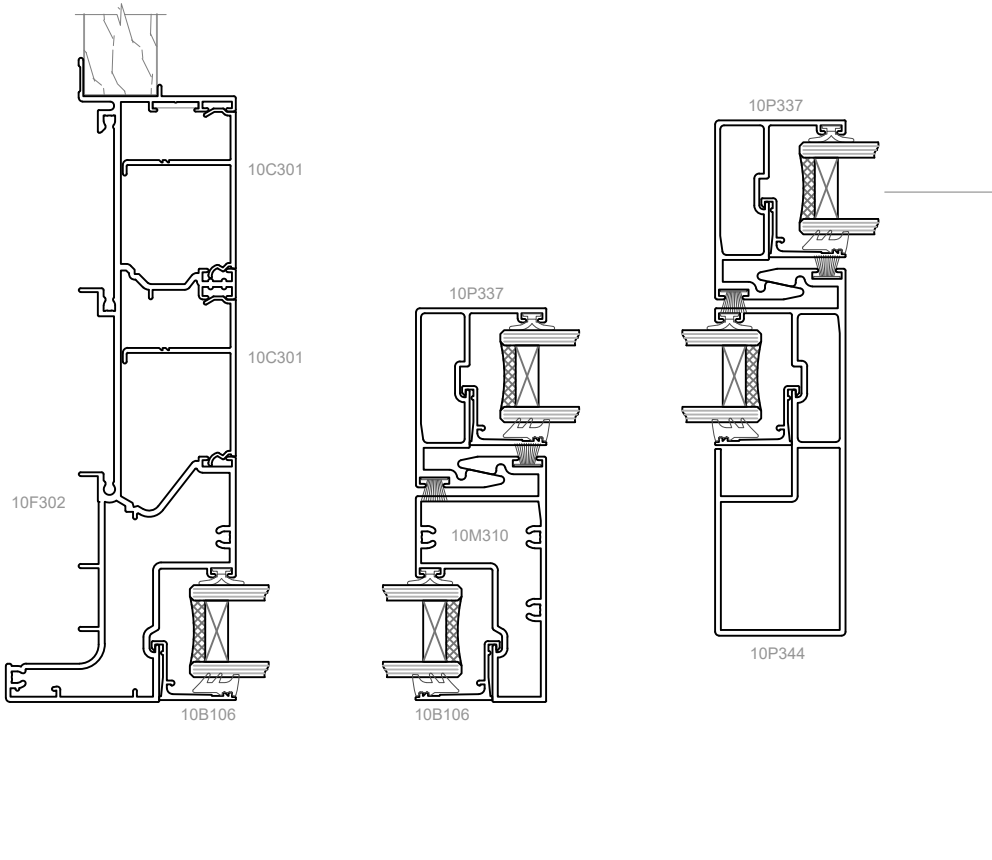
SECTION A-A



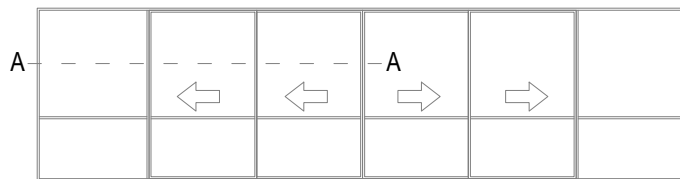
STACKING DOOR - MITRE CUT

Rev 0





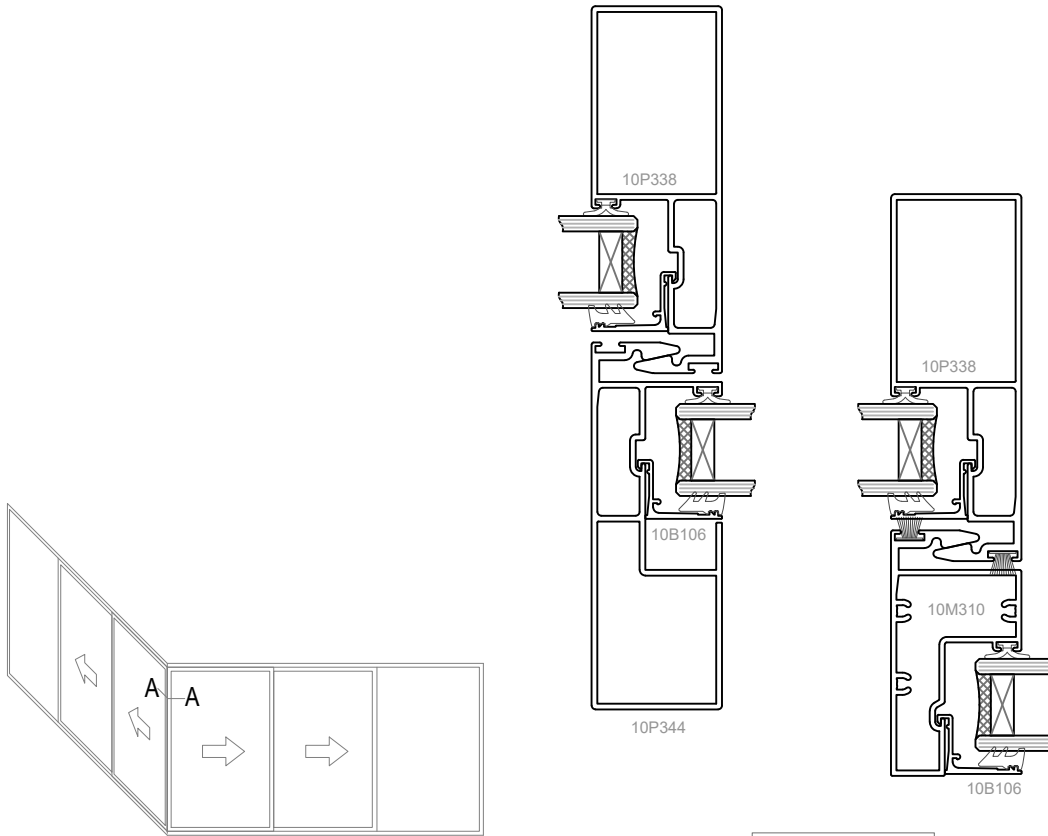
SECTION A-A



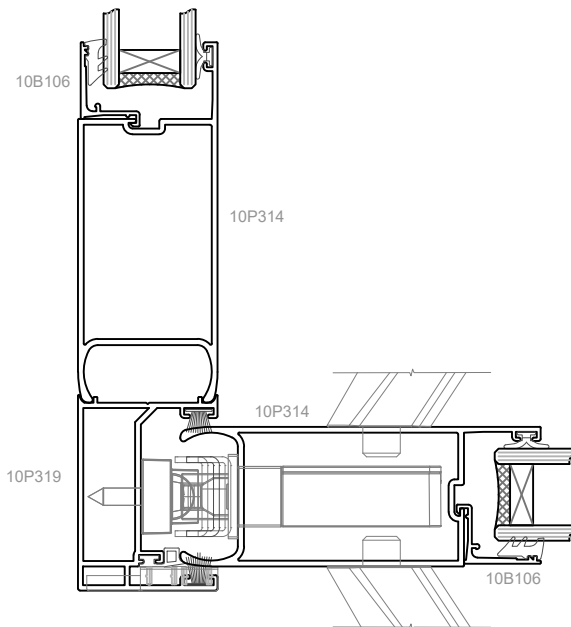
STACKING DOOR - MITRE CUT

Rev 0

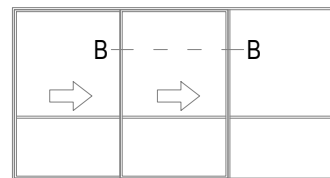




SECTION B-B



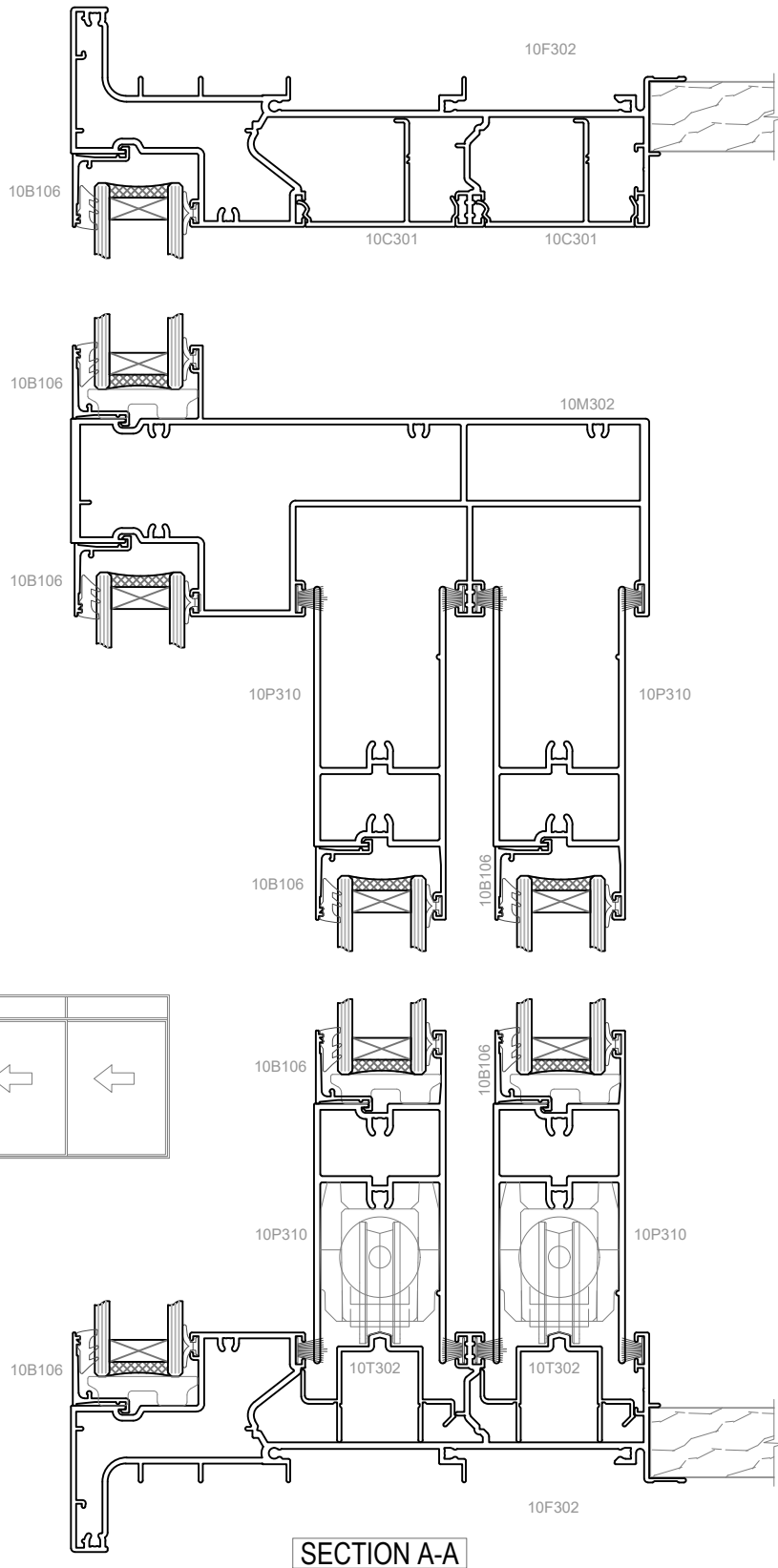
SECTION A-A



STACKING DOOR - MITRE CUT

Rev 0





STACKING DOOR - MITRE CUT

Rev 0

