

This document is intended as a guide only and is to be used in conjunction with The WANZ Guide to Window Installation as described in E2/AS1 Amendment 5 (see link below) <http://www.wanz.org.nz/download/WANZ%20Guide%20to%20E2%20AS1%20Amd%206%20V1.3%20Dec%202014.pdf>

OMEGA WINDOWS AND DOORS
AWNING WINDOW
400 SERIES THERMAL

PROFILE METAL
CLADDING

50.0
SCALE 1:1 @ A1

Profiled metal cladding

Head seal
For Very High
Wind Zone

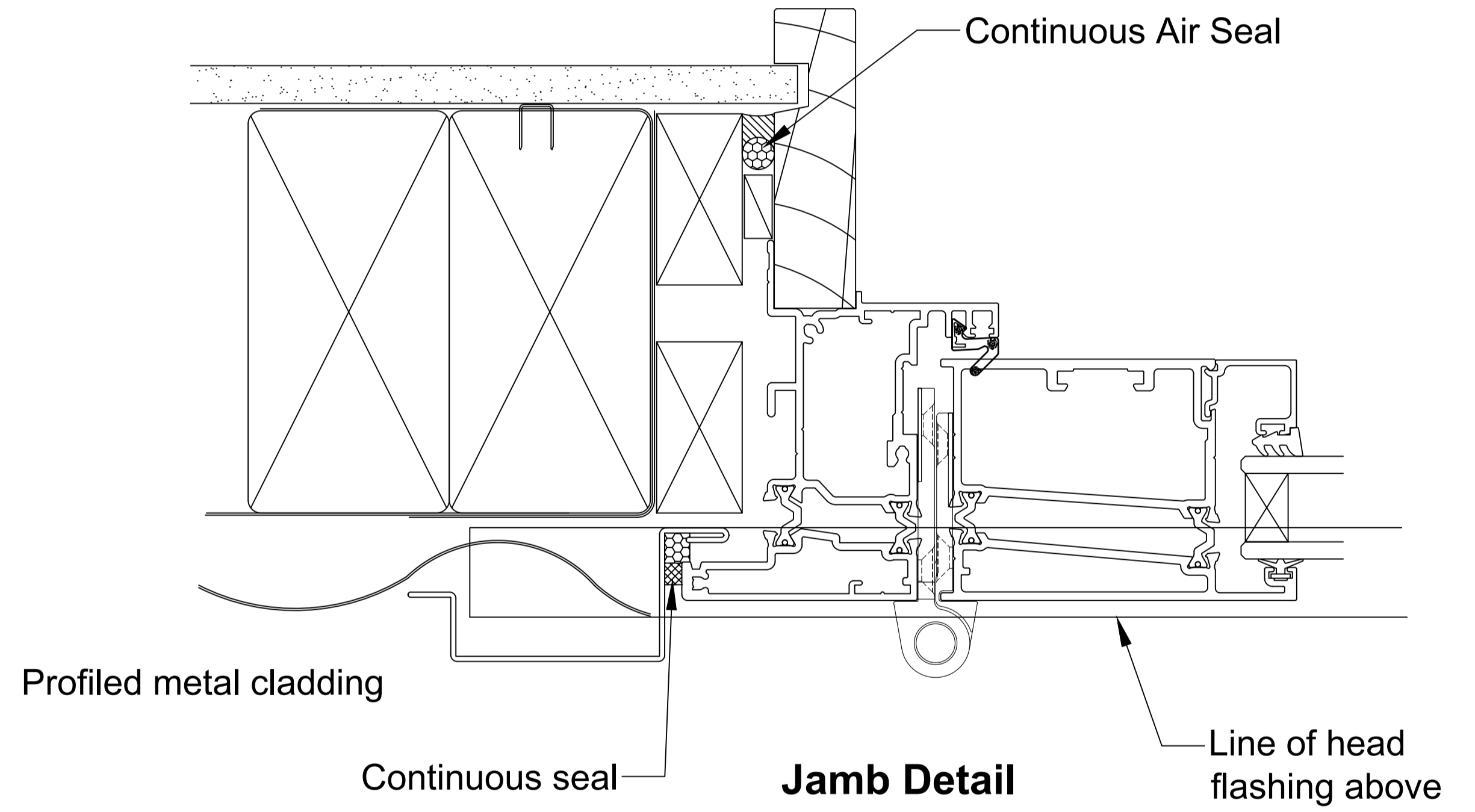
Continuous Air Seal

Head Detail

Sill Detail

Continuous Air Seal

WANZ Sill Pan



This document is intended as a guide only and is to be used in conjunction with
 The WANZ Guide to Window Installation as described in E2/AS1 Amendment 5 (see link below)
<http://www.wanz.org.nz/download/WANZ%20Guide%20to%20E2%20AS1%20Amd%206%20V1.3%20Dec%202014.pdf>

OMEGA WINDOWS AND DOORS
BIFOLD DOOR
400 SERIES THERMAL

PROFILE METAL
CLADDING

50.0
 SCALE 1:1 @ A1

Profiled metal cladding

Head seal
For Very High
Wind Zone

Continuous Air Seal

Head Detail

Sill Detail

Continuous Air Seal

WANZ Sill Pan

Profiled metal cladding

Continuous Air Seal

Jamb Detail

Line of head
flashing above

Continuous seal

This document is intended as a guide only and is to be used in conjunction with
The WANZ Guide to Window Installation as described in E2/AS1 Amendment 5 (see link below)
<http://www.wanz.org.nz/download/WANZ%20Guide%20to%20E2%20AS1%20Amd%206%20V1.3%20Dec%202014.pdf>

OMEGA WINDOWS AND DOORS
HINGE DOOR OPEN OUT
400 SERIES THERMAL

PROFILE METAL
CLADDING

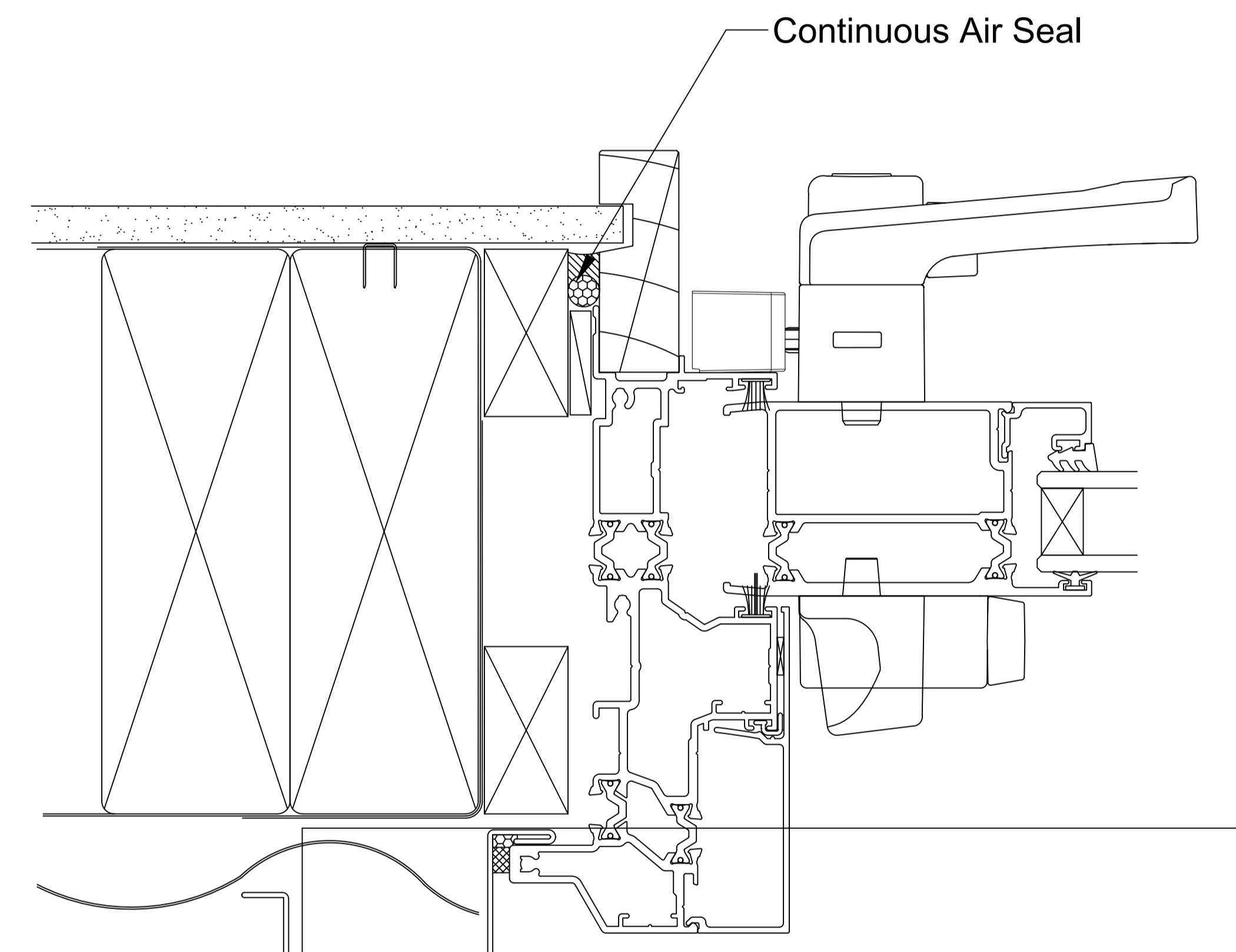
50.0
SCALE 1:1 @ A1

Profiled metal cladding

Head seal
For Very High
Wind Zone

Continuous Air Seal

Head Detail



Continuous Air Seal

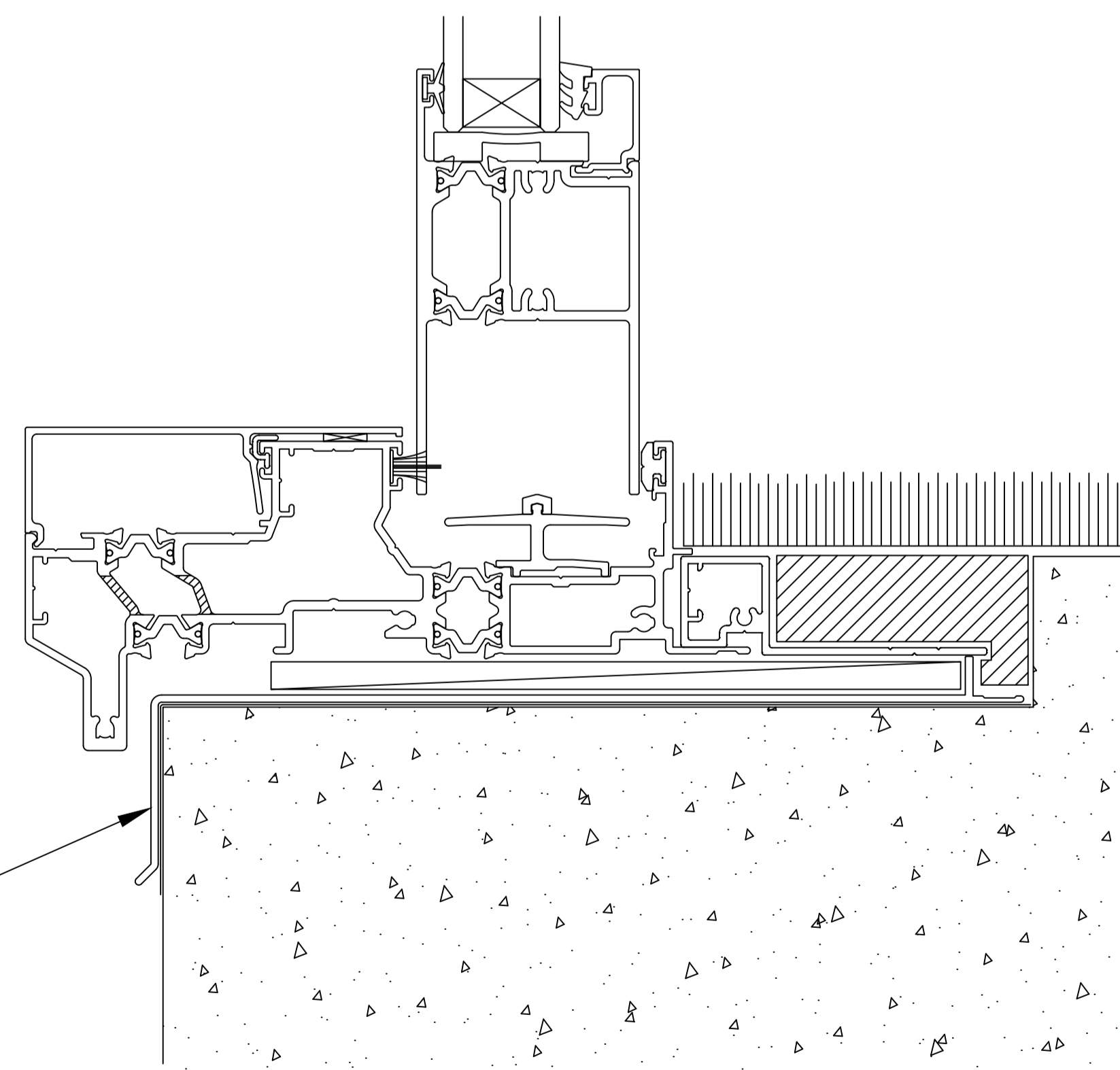
Profiled metal cladding

Jamb Detail

Line of head
flashing above

Jamb Detail

WANZ Sill Pan



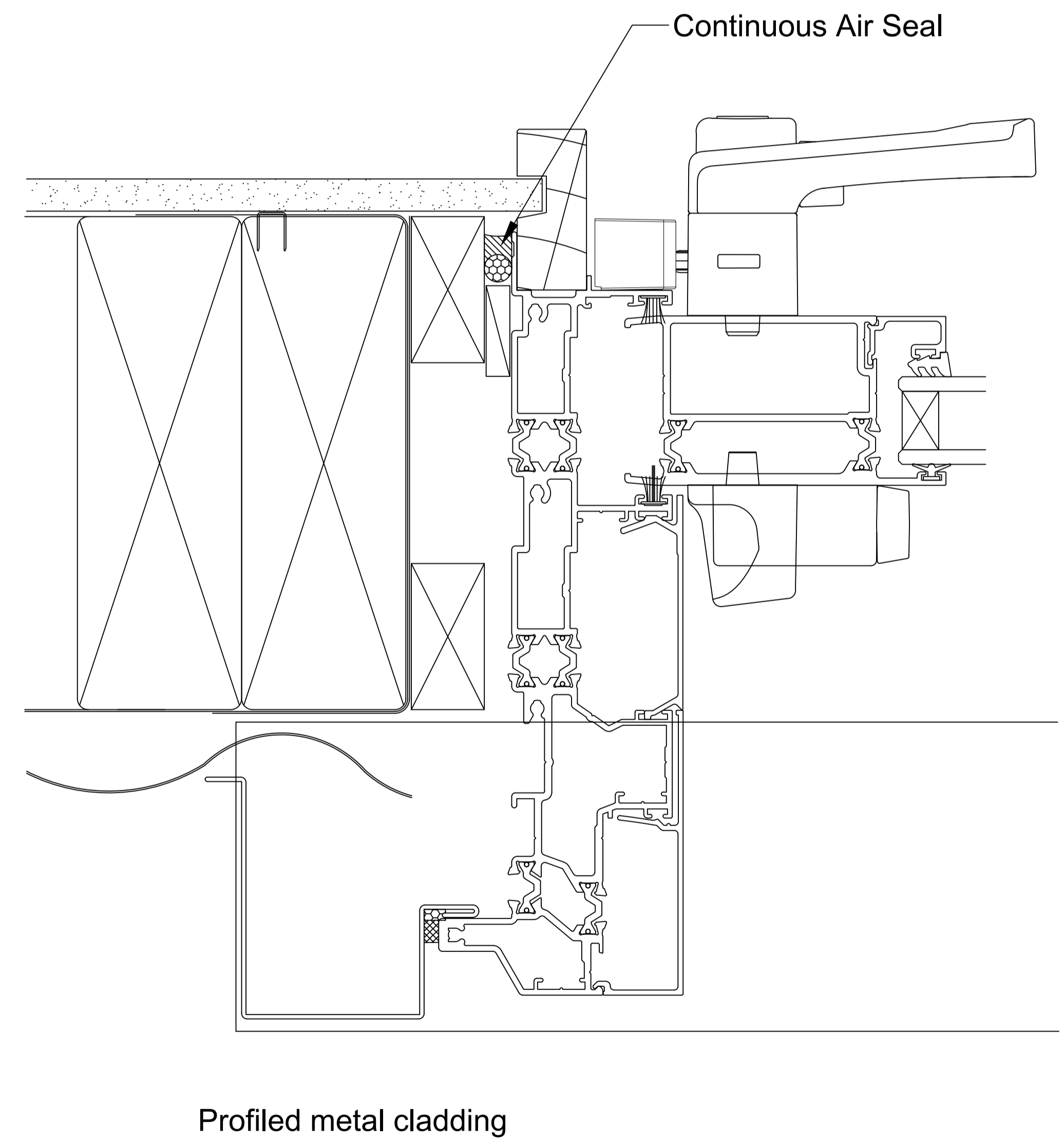
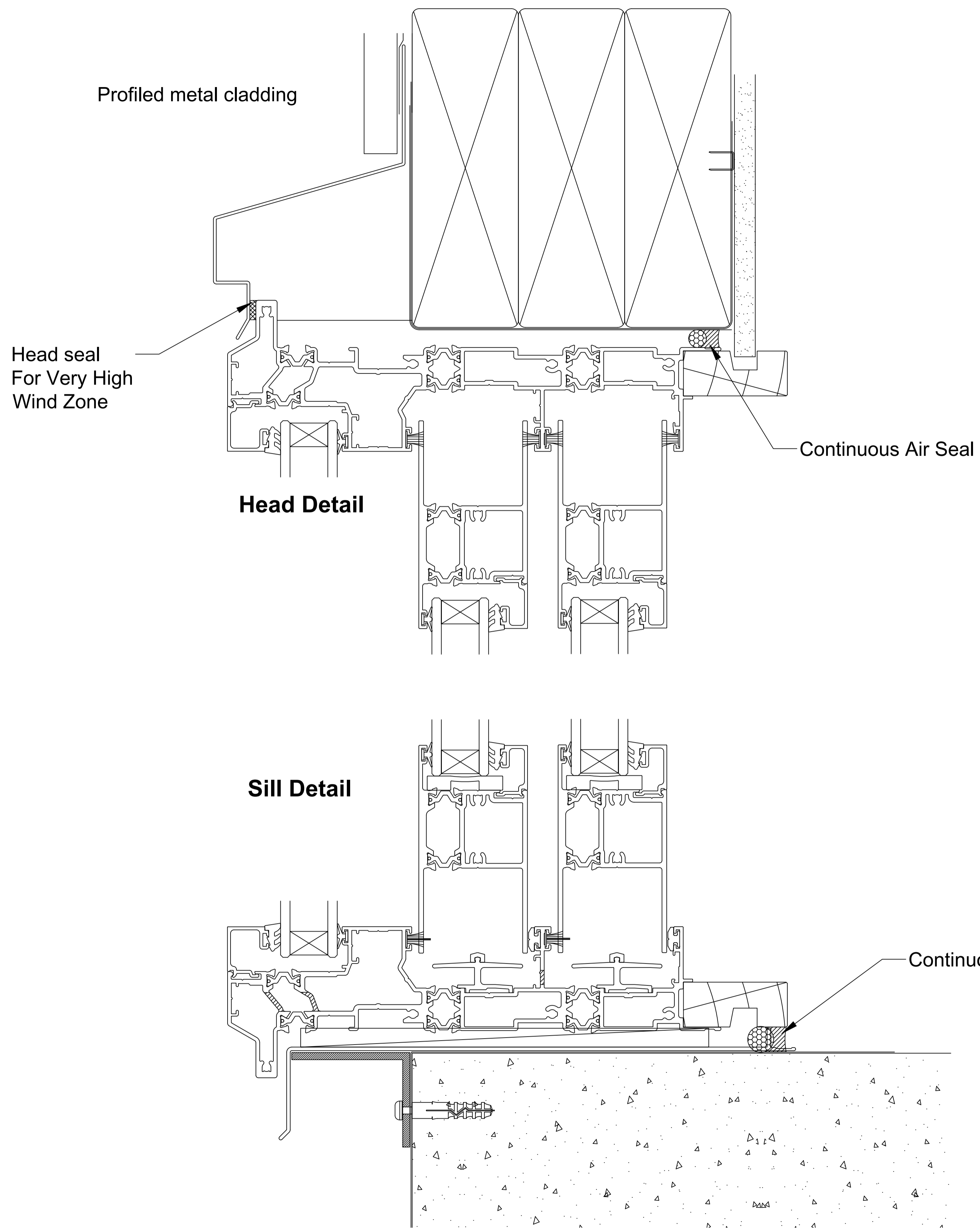
Rebated Sill Detail

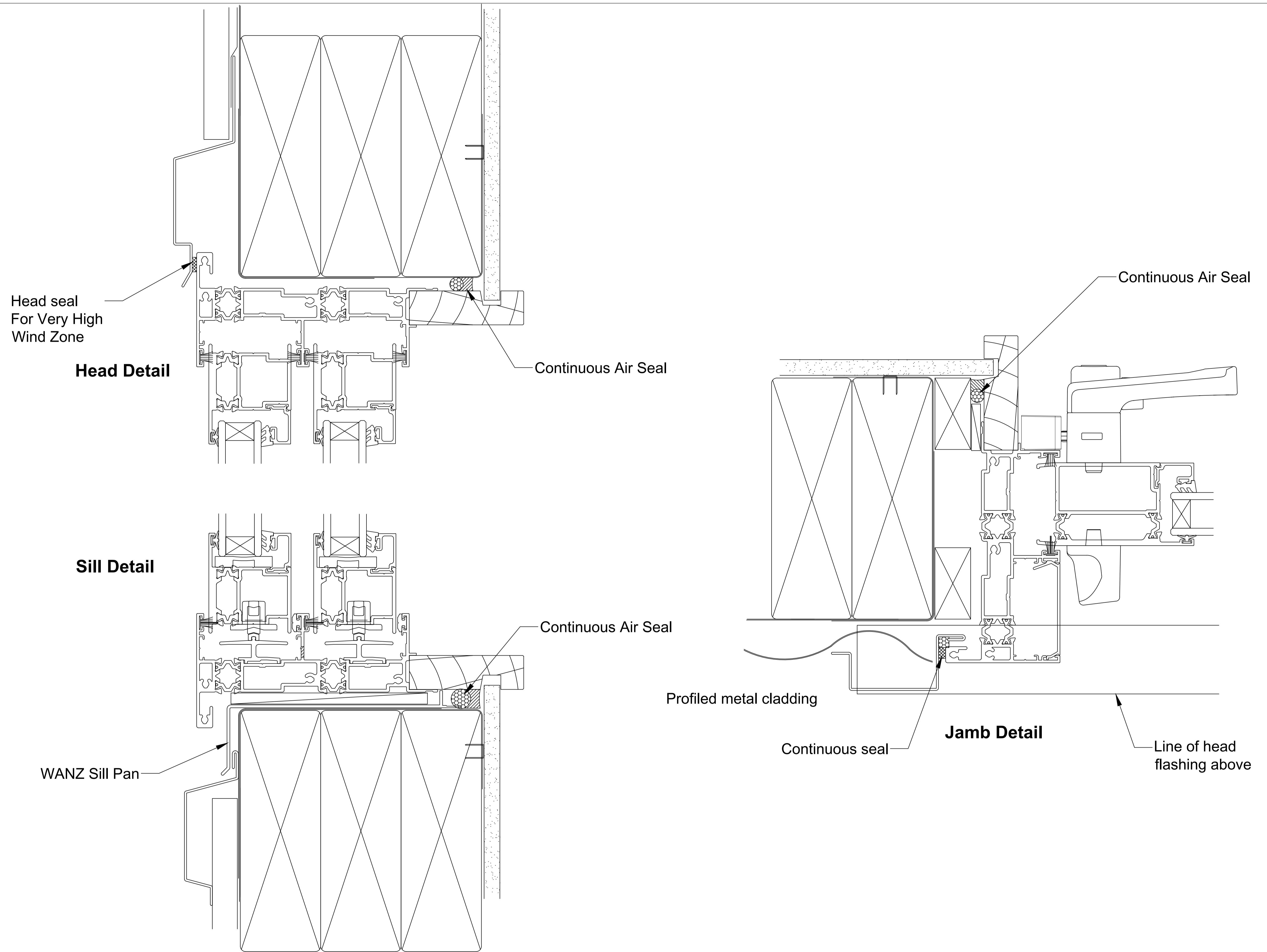
This document is intended as a guide only and is to be used in conjunction with
The WANZ Guide to Window Installation as described in E2/AS1 Amendment 5 (see link below)
<http://www.wanz.org.nz/download/WANZ%20Guide%20to%20E2%20AS1%20Amd%206%20V1.3%20Dec%202014.pdf>

OMEGA WINDOWS AND DOORS
SLIDING DOOR
400 SERIES THERMAL

PROFILE METAL
CLADDING

50.0
SCALE 1:1 @ A1





This document is intended as a guide only and is to be used in conjunction with
 The WANZ Guide to Window Installation as described in E2/AS1 Amendment 5 (see link below)
<http://www.wanz.org.nz/download/WANZ%20Guide%20to%20E2%20AS1%20Amd%206%20V1.3%20Dec%202014.pdf>

OMEGA WINDOWS AND DOORS
 DOUBLE HUNG WINDOW
 400 SERIES THERMAL

PROFILE METAL
 CLADDING

50.0
 SCALE 1:1 @ A1